

US00D607839S

(12) **United States Design Patent**
Lewis

(10) **Patent No.:** **US D607,839 S**
(45) **Date of Patent:** **** Jan. 12, 2010**

(54) **MOUNTING HOLE IN APPLIANCE WALL**

(75) Inventor: **Jeremiah Lewis**, Leesburg, IN (US)

(73) Assignee: **Group Dekko, Inc.**, Kendallville, IN (US)

(**) Term: **14 Years**

(21) Appl. No.: **29/318,290**

(22) Filed: **May 16, 2008**

(51) **LOC (9) Cl.** **13-03**

(52) **U.S. Cl.** **D13/154**

(58) **Field of Classification Search** D13/133,
D13/146, 147, 154, 184; 439/517, 607-610,
439/660, 668, 892, 894; 361/117
See application file for complete search history.

(56) **References Cited**

U.S. PATENT DOCUMENTS

D274,904 S * 7/1984 Legerius et al. D13/154
D455,720 S * 4/2002 Bentz et al. D13/154
D481,684 S * 11/2003 Bomar D13/154

D496,910 S * 10/2004 Bomar D13/154

* cited by examiner

Primary Examiner—Nanda Bondade

(74) *Attorney, Agent, or Firm*—Taylor & Aust, P.C.

(57) **CLAIM**

The ornamental design for a mounting hole in appliance wall, as shown and described.

DESCRIPTION

FIG. 1 is a top perspective view of a mounting hole in appliance wall showing my new design;

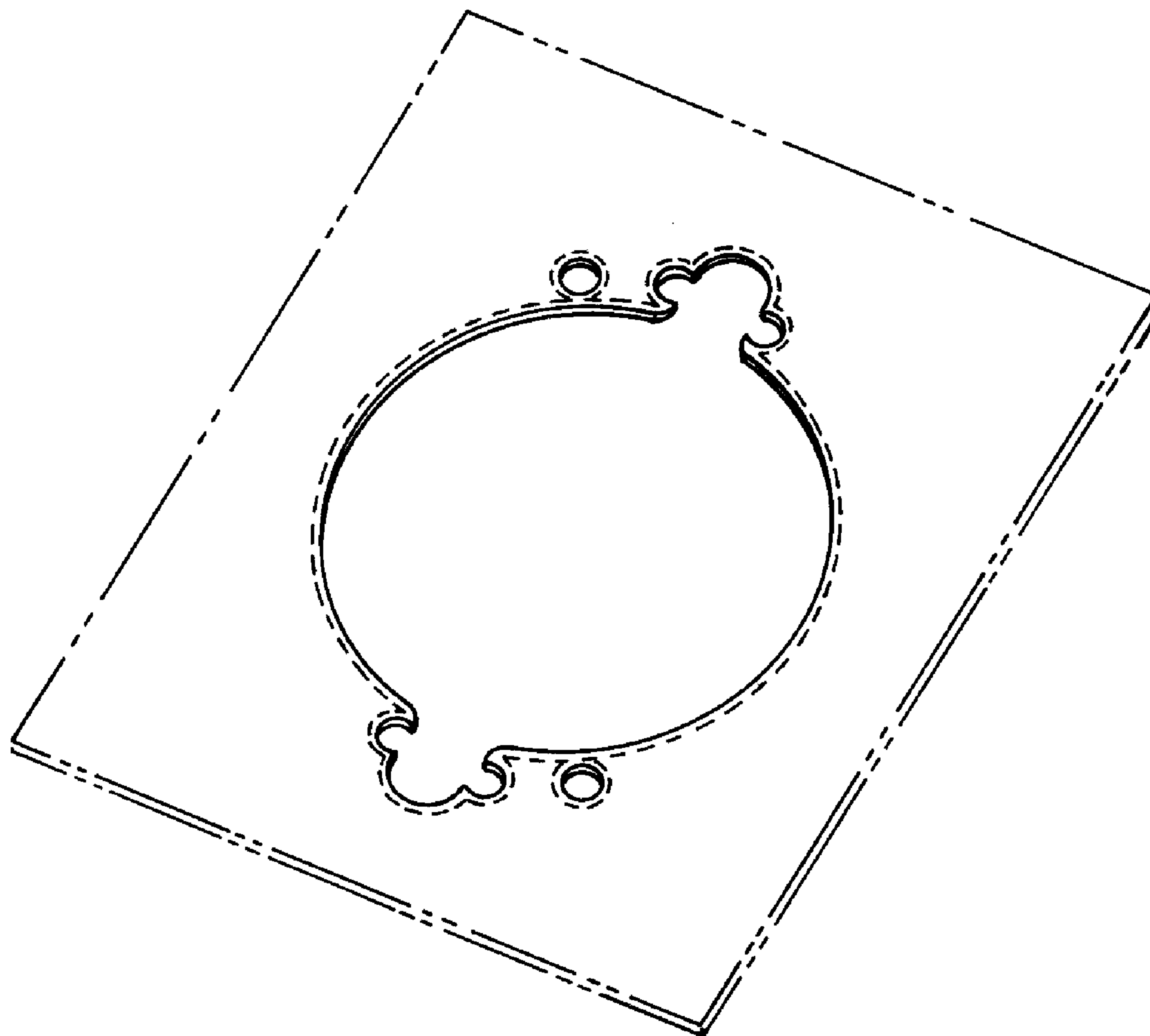
FIG. 2 is bottom perspective view thereof;

FIG. 3 is a top perspective view thereof; and,

FIG. 4 is a top plan view thereof, the bottom plan view being a mirror image of the top plan.

The broken lines immediately adjacent to the solid lines represent the bounds of the claimed and all dash dot dot lines are for illustrative purposes only. None of the broken lines forms a part of the claimed design.

1 Claim, 2 Drawing Sheets



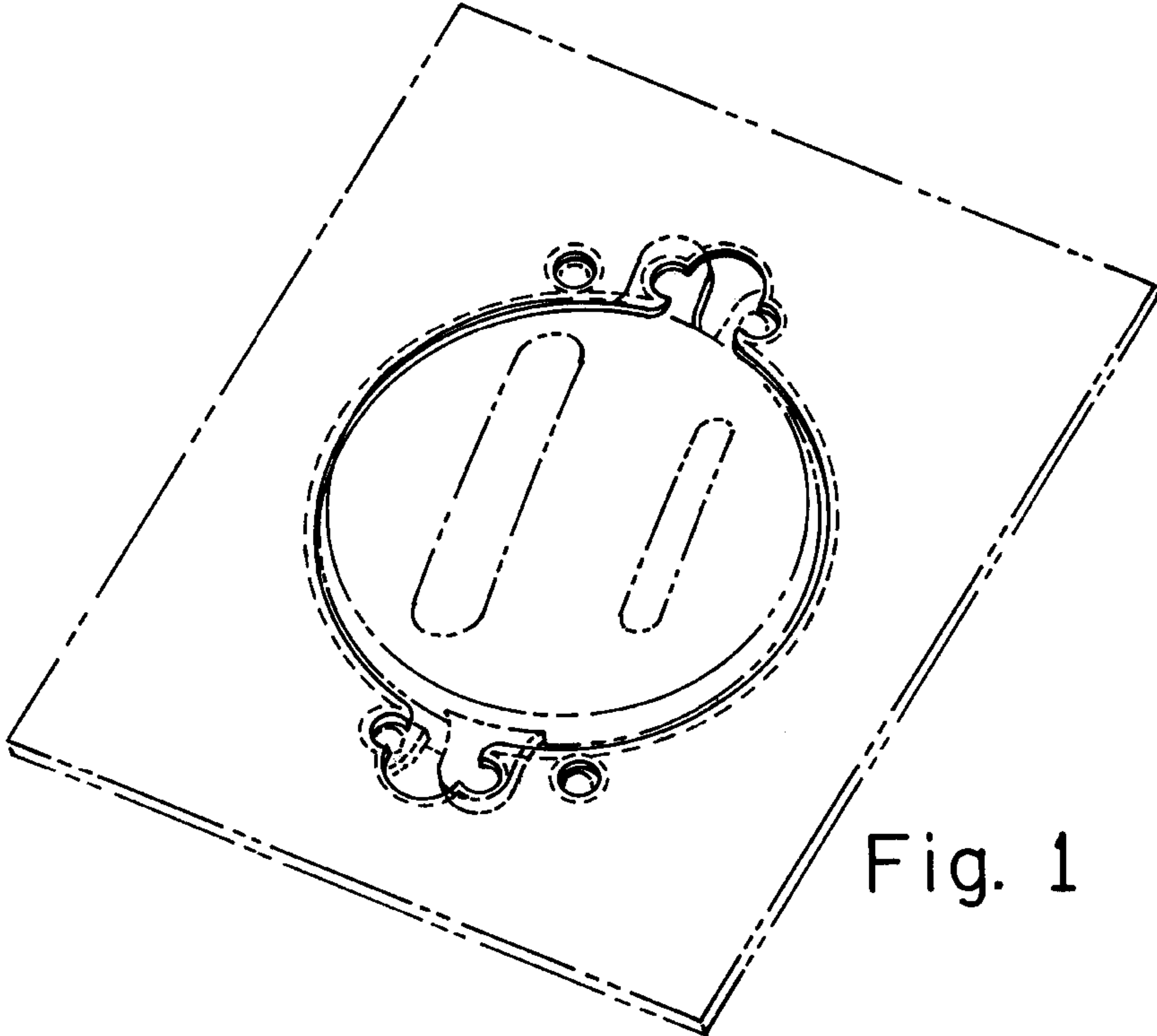


Fig. 1

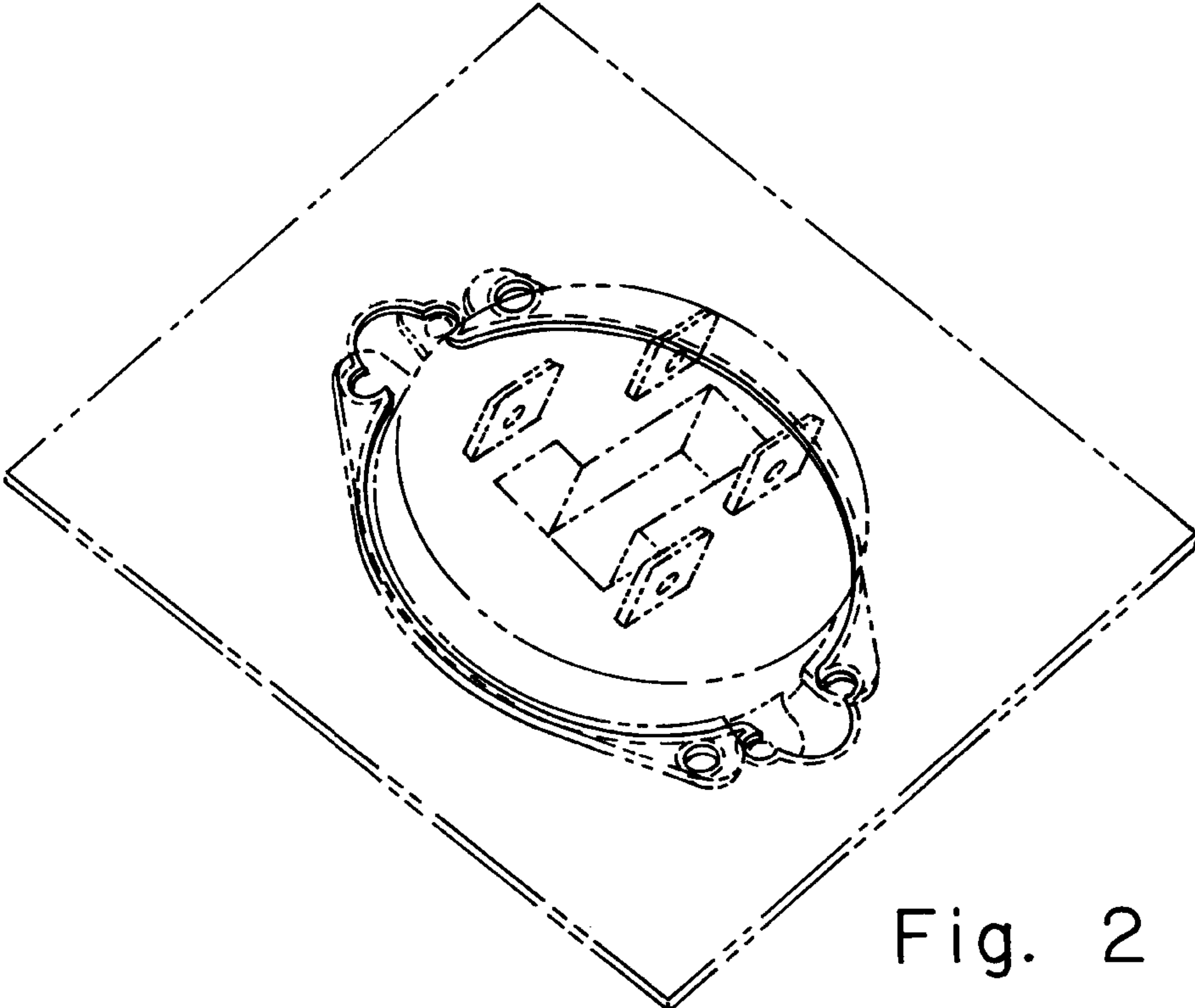


Fig. 2

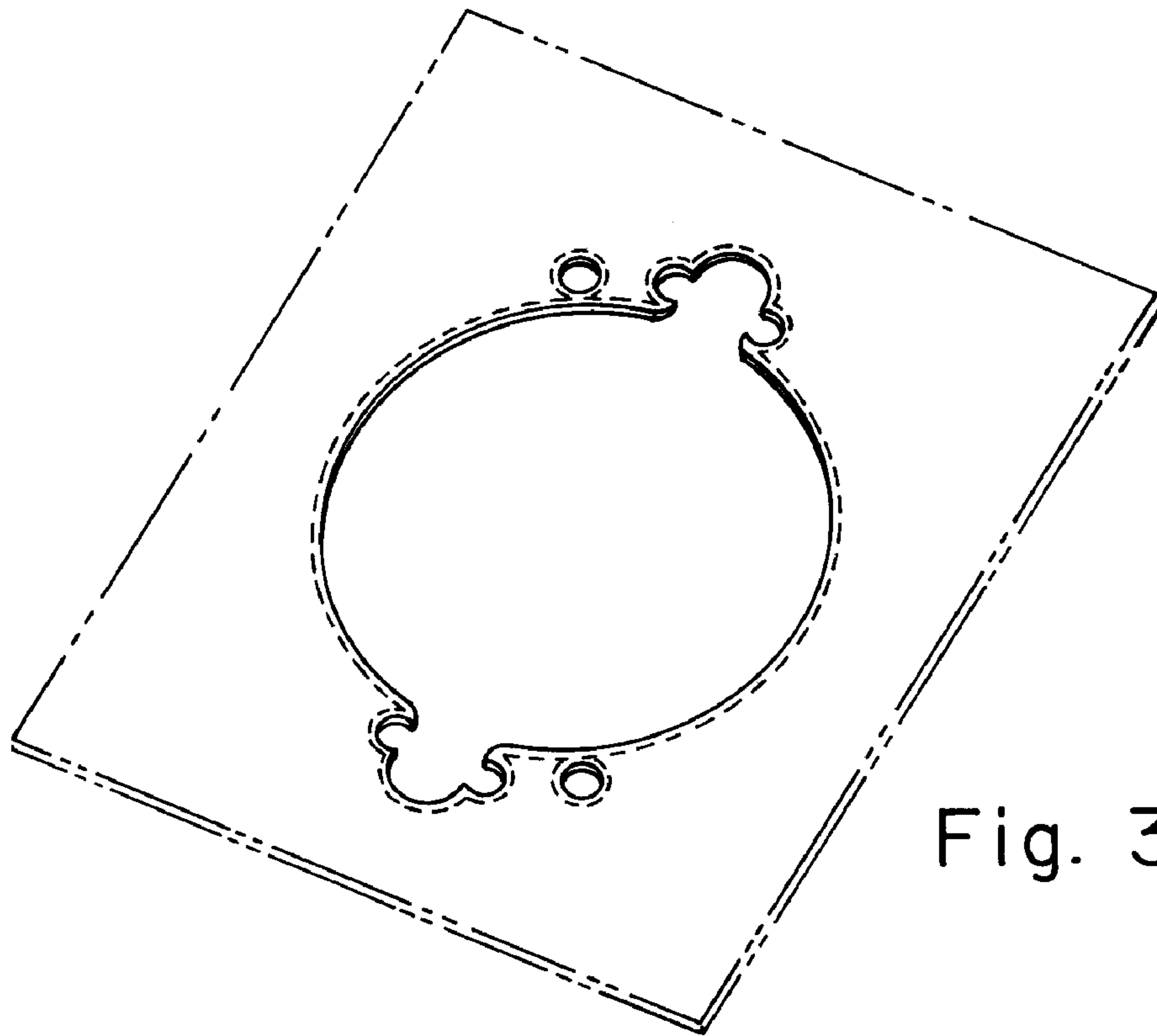


Fig. 3

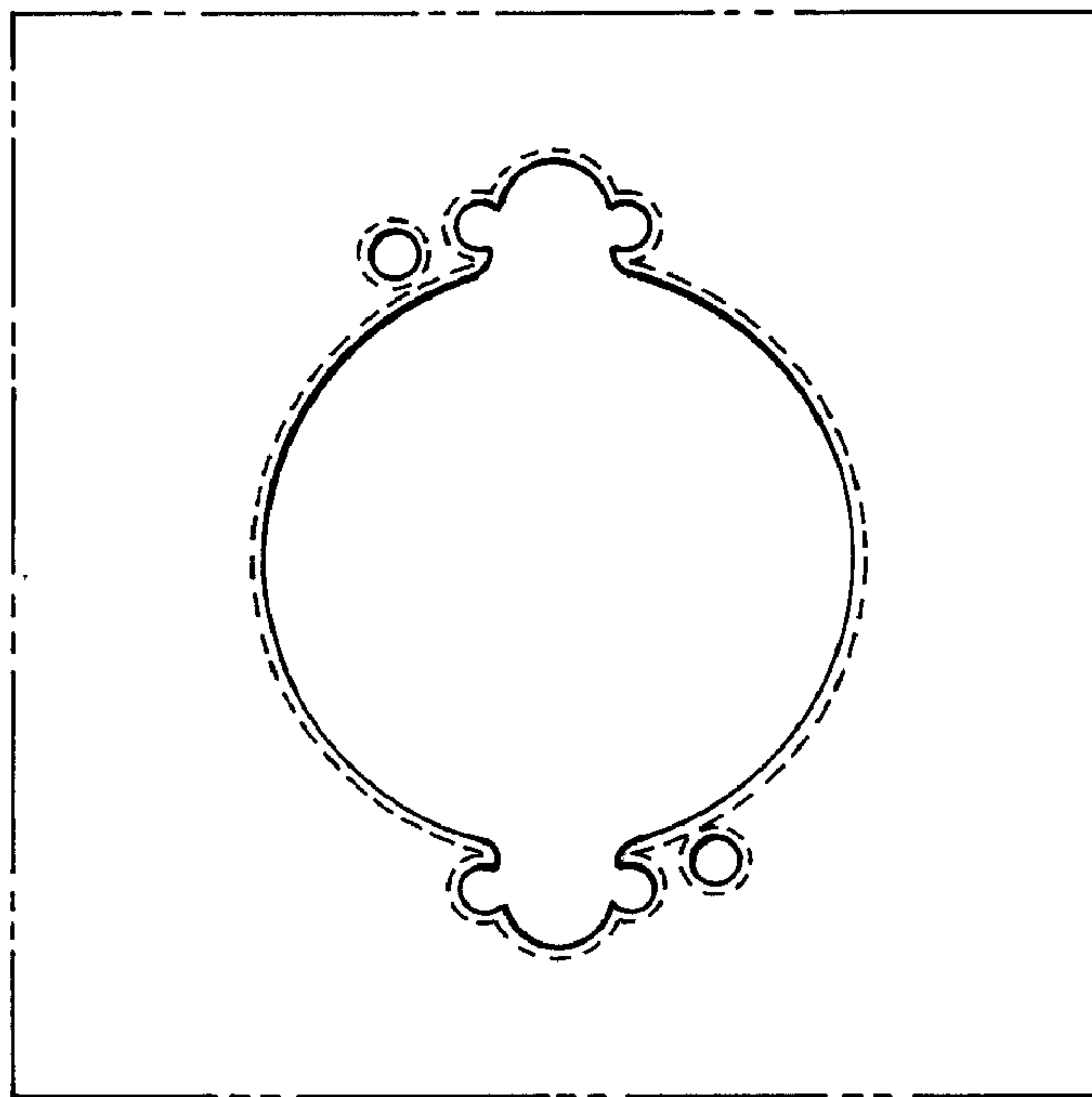


Fig. 4