



US00D607838S

(12) **United States Design Patent**
Takei et al.

(10) **Patent No.:** **US D607,838 S**
(45) **Date of Patent:** **** Jan. 12, 2010**

(54) **CARD CONNECTOR**

(75) Inventors: **Kazunori Takei**, Tochigi (JP); **Hitoshi Kikuchi**, Tochigi (JP); **Hirokazu Takahashi**, Tochigi (JP)

(73) Assignee: **DDK Ltd.**, Tokyo (JP)

(**) Term: **14 Years**

(21) Appl. No.: **29/315,101**

(22) Filed: **May 26, 2009**

(30) **Foreign Application Priority Data**

Nov. 27, 2008 (JP) D2008-030416

(51) **LOC (9) Cl.** **13-03**

(52) **U.S. Cl.** **D13/154**

(58) **Field of Classification Search** D13/146-147,
D13/154, 184; 439/79, 108, 378, 607-610,
439/626, 629-630, 636, 638, 660

See application file for complete search history.

(56) **References Cited**

U.S. PATENT DOCUMENTS

D421,421 S * 3/2000 Kashio D13/147
D470,109 S * 2/2003 Yokoyama et al. D13/147
D488,815 S * 4/2004 Hashimoto et al. D14/433
D520,453 S * 5/2006 Yoneyama et al. D13/147

D536,668 S * 2/2007 Ye et al. D13/147
D550,629 S * 9/2007 Kagami et al. D13/147
D563,889 S * 3/2008 Higeta et al. D13/147

* cited by examiner

Primary Examiner—Daniel D Bui
(74) *Attorney, Agent, or Firm*—Sughrue Mion, PLLC

(57) **CLAIM**

The ornamental design for a card connector, as shown and described.

DESCRIPTION

FIG. 1 is a top, front perspective view of a card connector showing our new design;

FIG. 2 is a bottom, front perspective view thereof;

FIG. 3 is a front elevation view thereof;

FIG. 4 is a fragmentary enlarged of the top, front perspective view of FIG. 1; and,

FIG. 5 is a fragmentary enlarged of the bottom, front perspective view of FIG. 2.

The even-broken line portion of the figure drawings is included to show unclaimed subject matter only and forms no part of the claimed design. The dash-dot line represents the boundary of the claimed design.

1 Claim, 5 Drawing Sheets

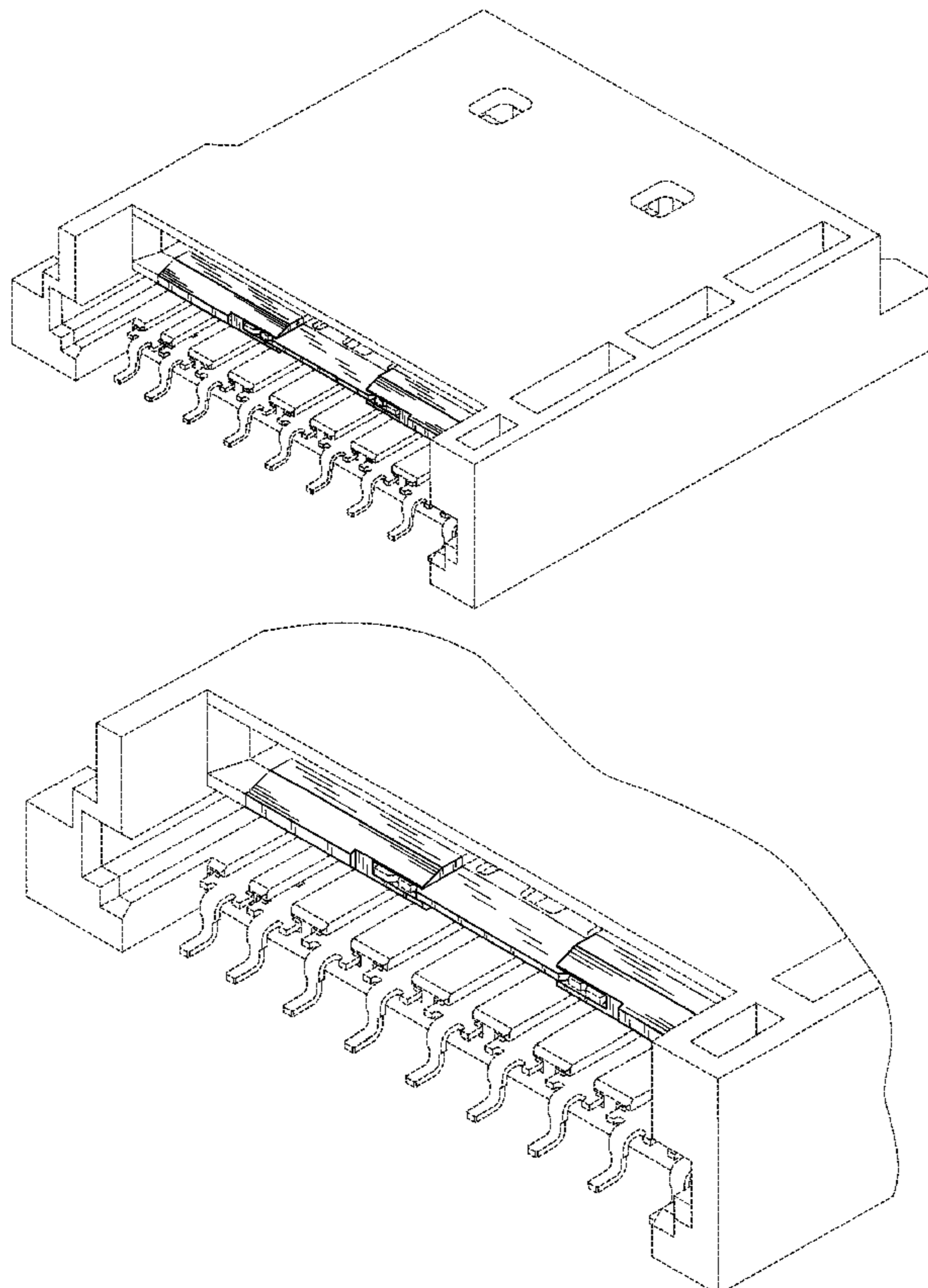


Fig.1

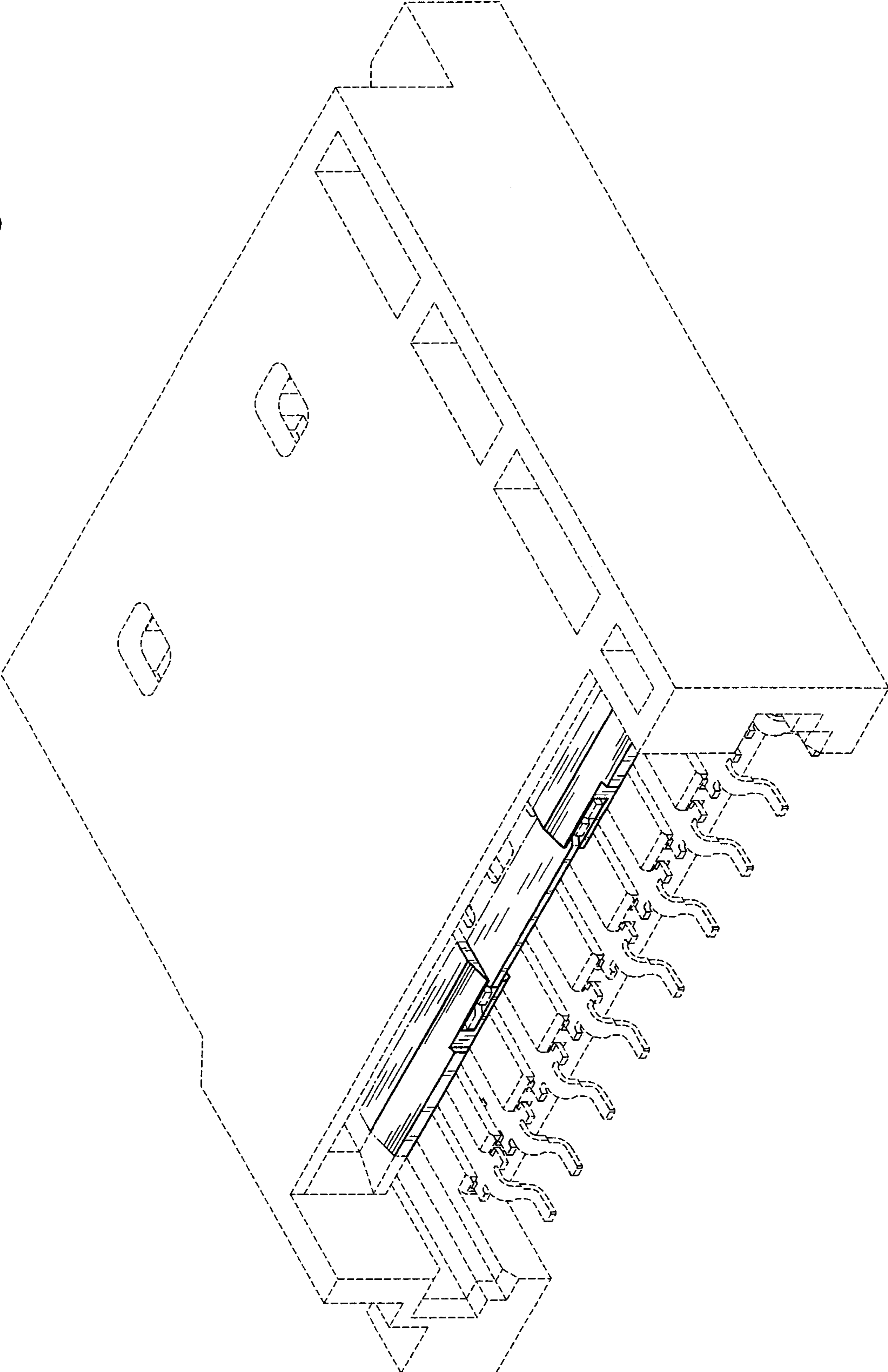


Fig. 2

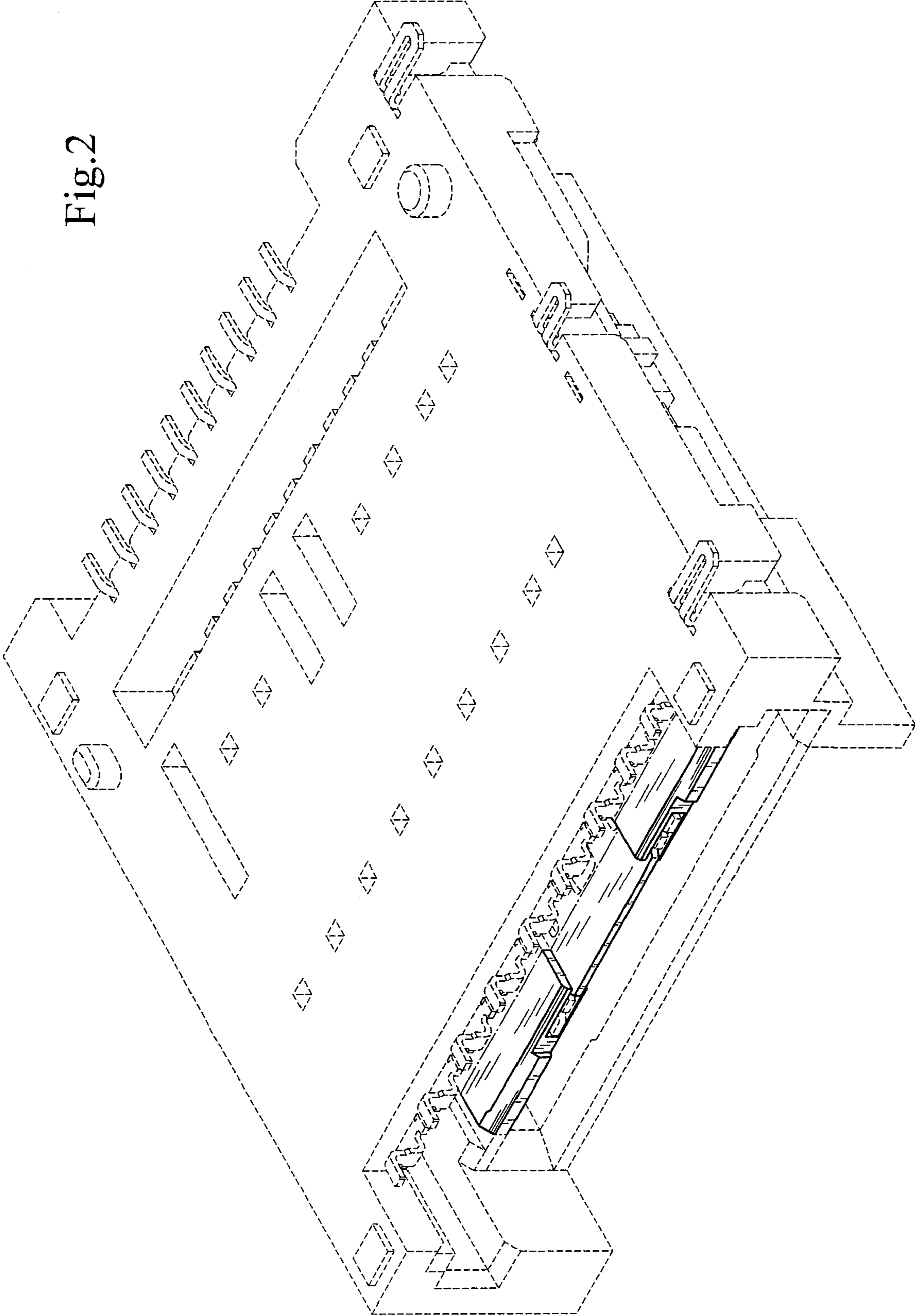


Fig.3

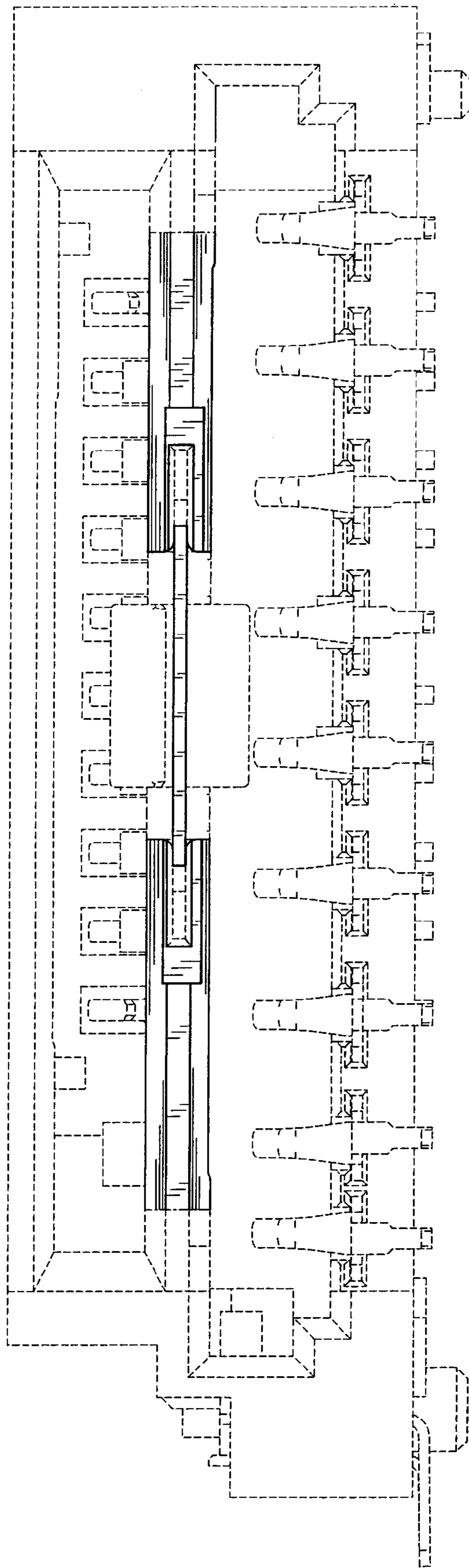


Fig.4

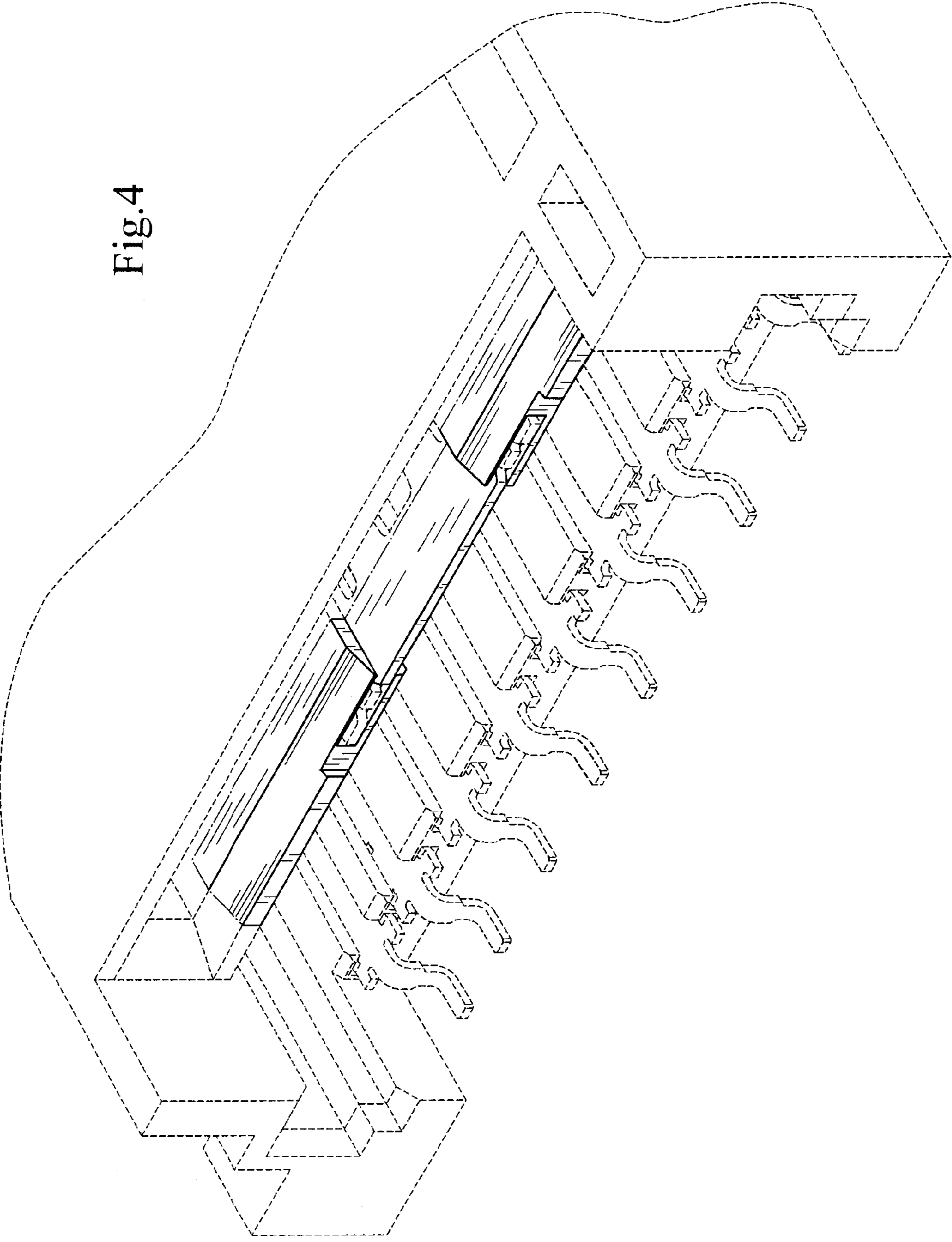


Fig.5

