



US00D607837S

(12) **United States Design Patent**  
**Mao et al.**

(10) **Patent No.:** **US D607,837 S**  
(45) **Date of Patent:** **\*\* Jan. 12, 2010**

(54) **ELECTRICAL CONNECTOR**

(75) Inventors: **Yu-Hua Mao**, Kunshan (CN); **Zhi-Hong Fang**, Kunshan (CN)

(73) Assignee: **Hon Hai Precision Ind. Co., Ltd.**,  
Taipei Hsien (TW)

(\*\*) Term: **14 Years**

(21) Appl. No.: **29/314,132**

(22) Filed: **Mar. 4, 2009**

(30) **Foreign Application Priority Data**

Sep. 4, 2008 (CN) ..... 200830237124.7

(51) **LOC (9) Cl.** ..... **13-03**

(52) **U.S. Cl.** ..... **D13/154**

(58) **Field of Classification Search** ..... D13/133,  
D13/146-147, 154, 184, 199; 439/79, 108,  
439/352, 357, 358, 374, 567, 607-610, 656,  
439/676, 680

See application file for complete search history.

(56) **References Cited**

**U.S. PATENT DOCUMENTS**

D518,782 S *	4/2006	Su	.....	D13/147
D536,668 S *	2/2007	Ye et al.	.....	D13/147
D538,233 S *	3/2007	Wan et al.	.....	D13/147
D576,104 S *	9/2008	Kasahara	.....	D13/147
D579,416 S *	10/2008	Kasahara	.....	D13/147

\* cited by examiner

*Primary Examiner*—Daniel D Bui

(74) *Attorney, Agent, or Firm*—Andrew C. Cheng; Wei Te Chung; Ming Chieh Chang

(57) **CLAIM**

The ornamental design for an electrical connector, as shown and described.

**DESCRIPTION**

FIG. 1 is a front, top and right side perspective view of an electrical connector showing our new design;

FIG. 2 is a front elevational view thereof;

FIG. 3 is a rear elevational view thereof;

FIG. 4 is a left side elevational view thereof;

FIG. 5 is a right side elevational view thereof;

FIG. 6 is a top plan view thereof;

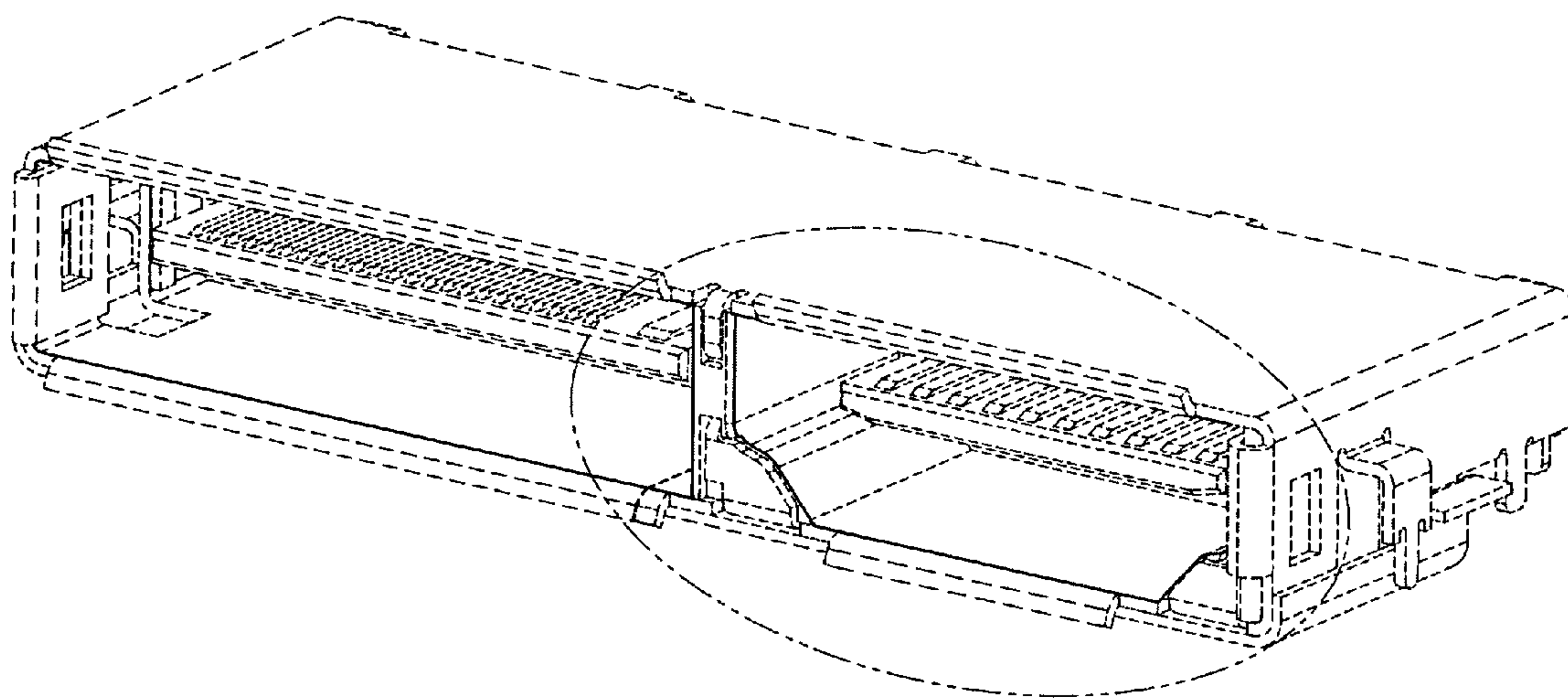
FIG. 7 is a bottom plan view thereof;

FIG. 8 is a partial enlarged view of the elliptical area shown in FIG. 1; and,

FIG. 9 is a partial enlarged view of the elliptical area shown in FIG. 2.

The broken line portion of the figure drawings is included to show unclaimed subject matter only and forms no part of the claimed design. The dash-dot lines represent the boundary of the claimed design.

**1 Claim, 9 Drawing Sheets**



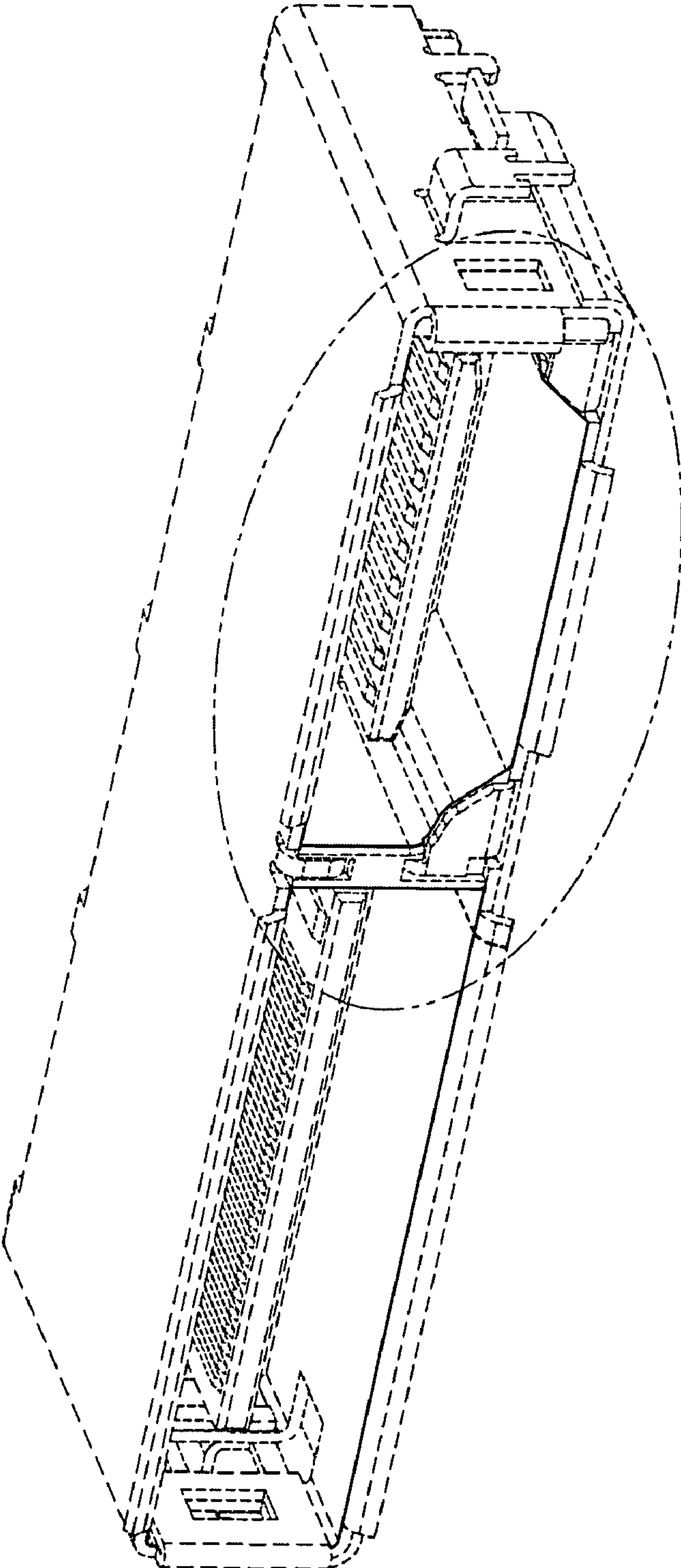


FIG. 1

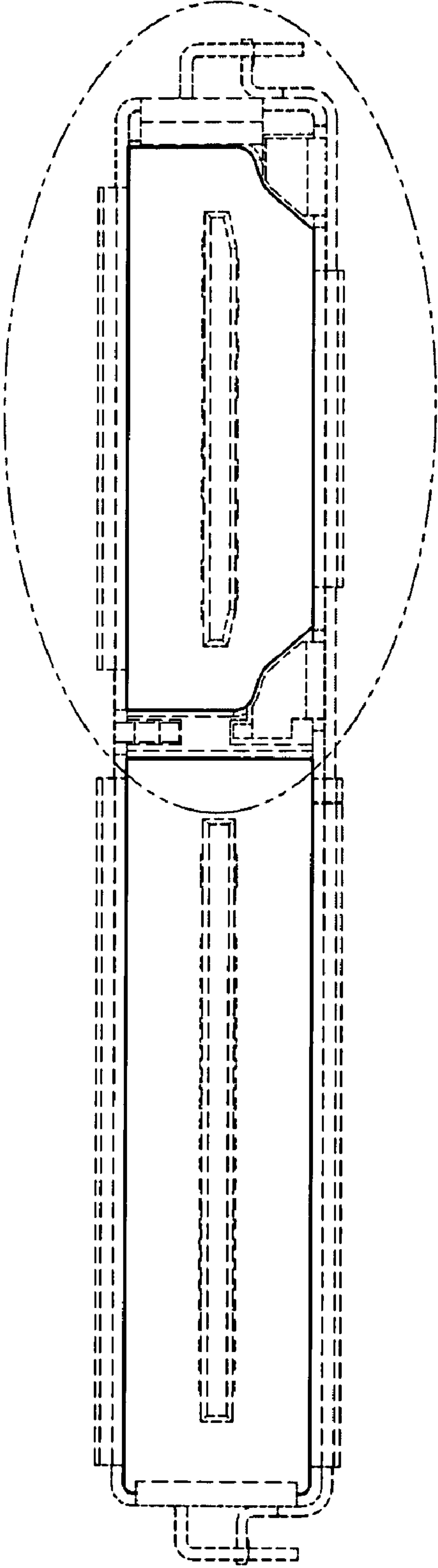


FIG. 2

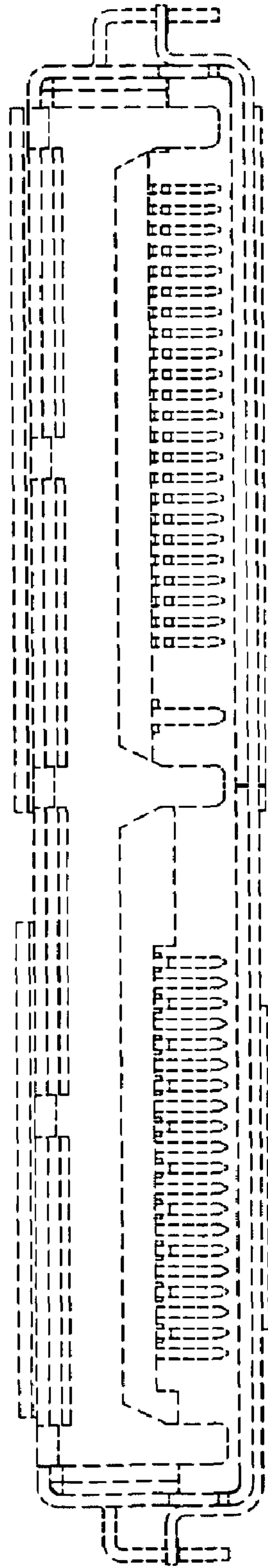


FIG. 3

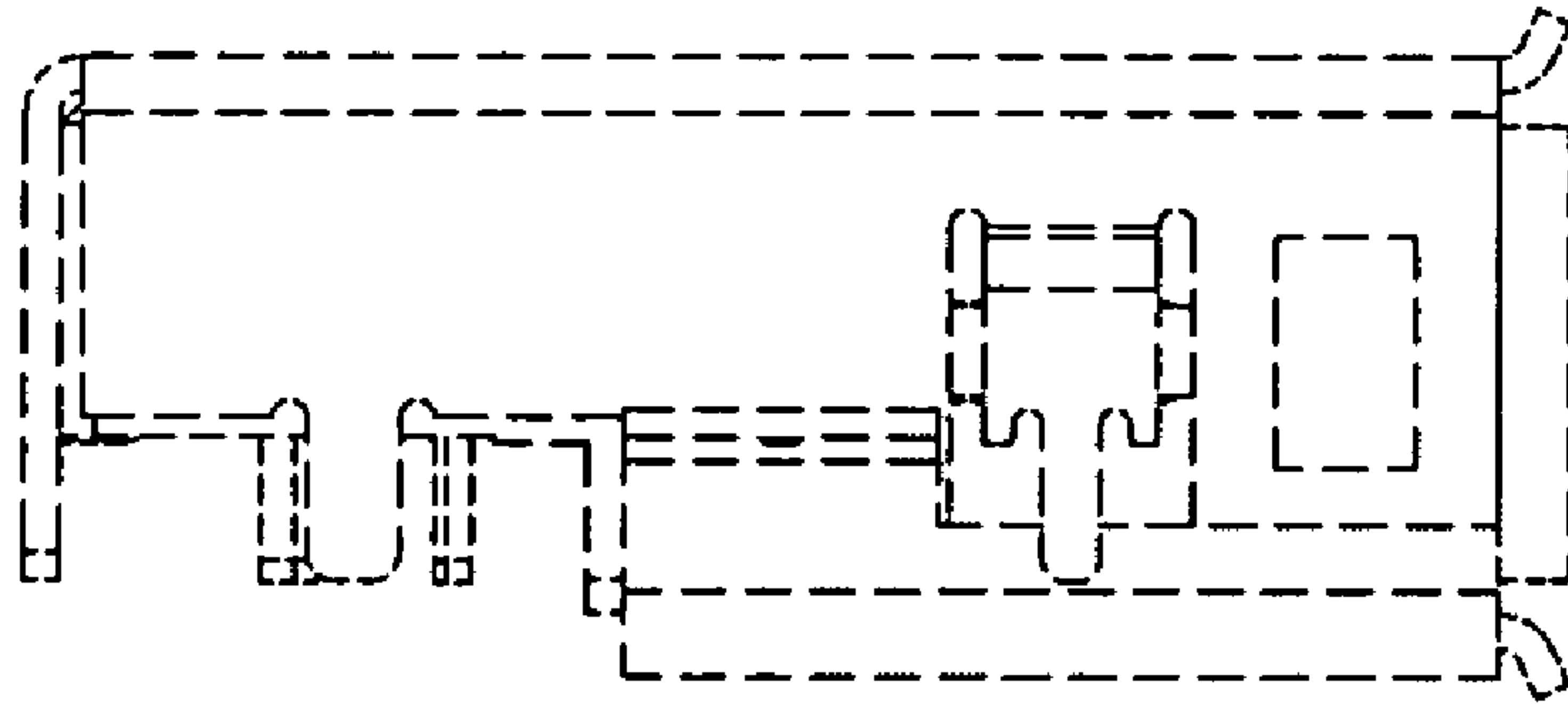


FIG. 4

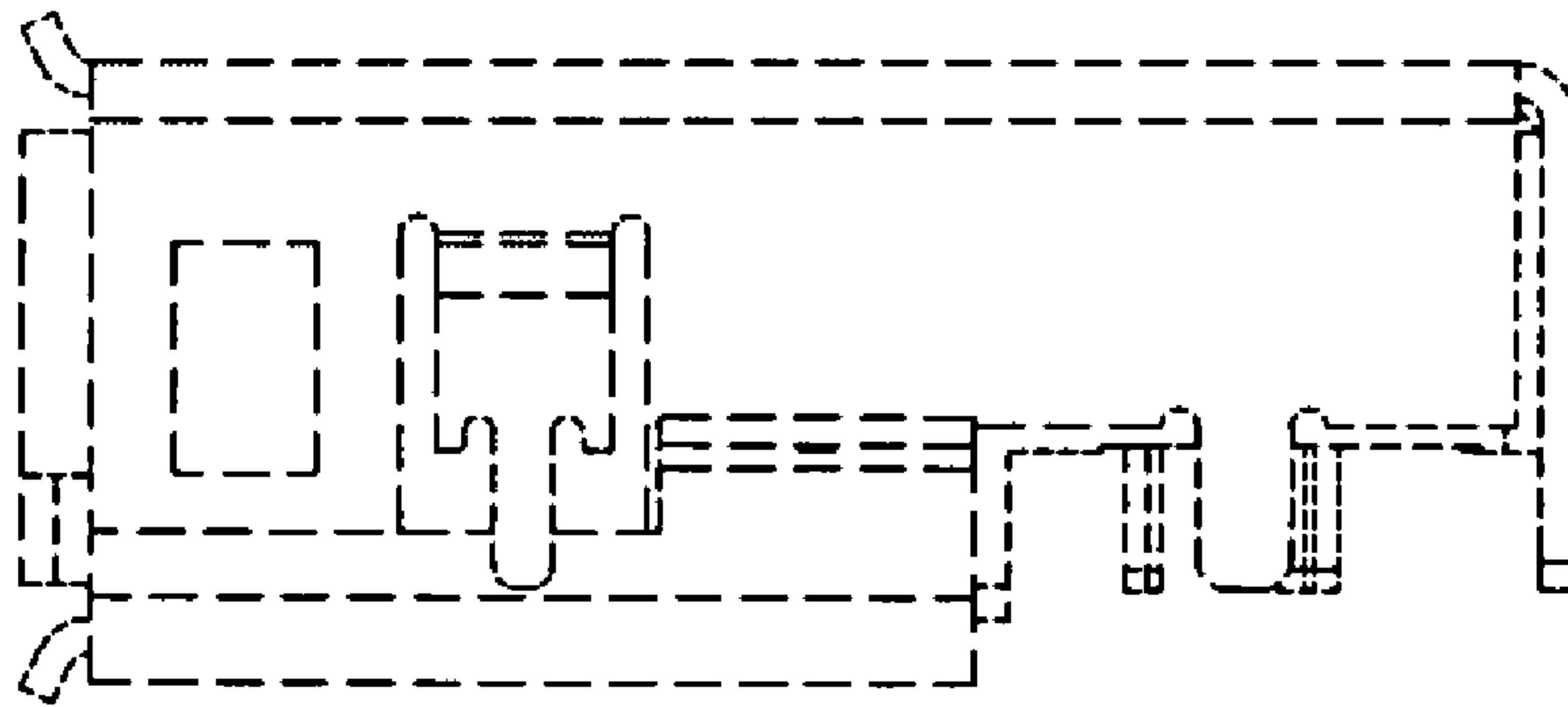


FIG. 5

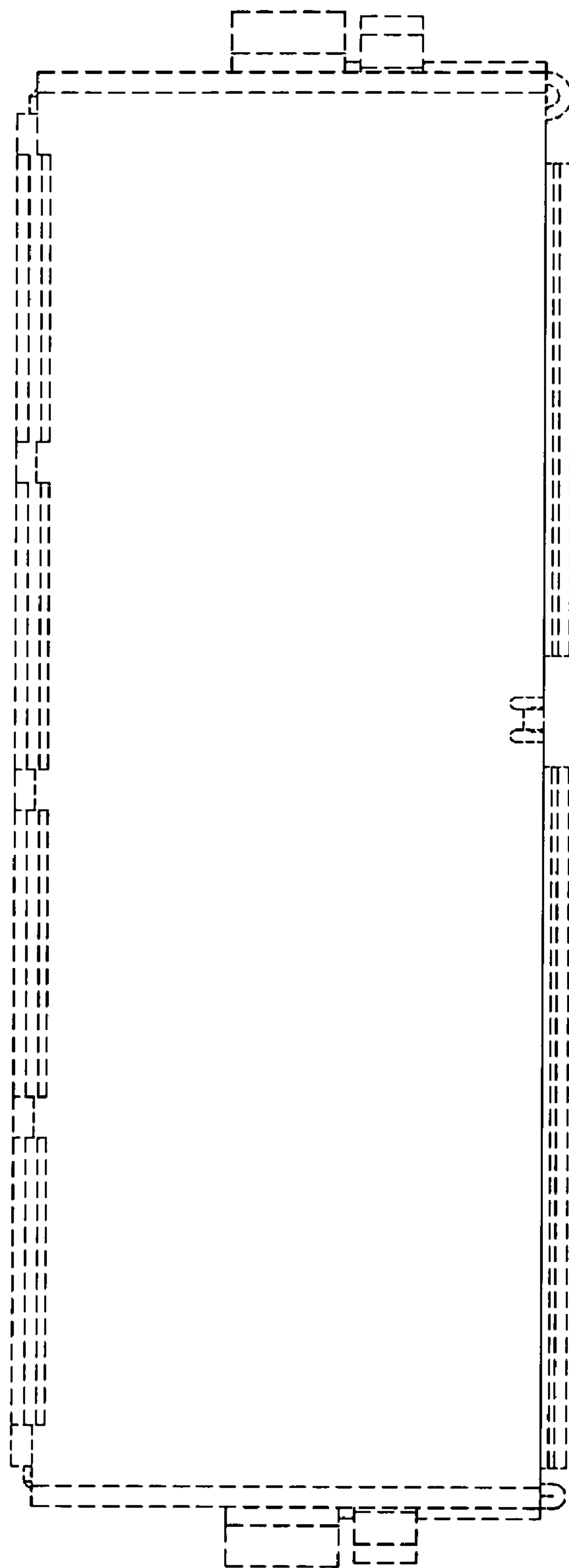


FIG. 6

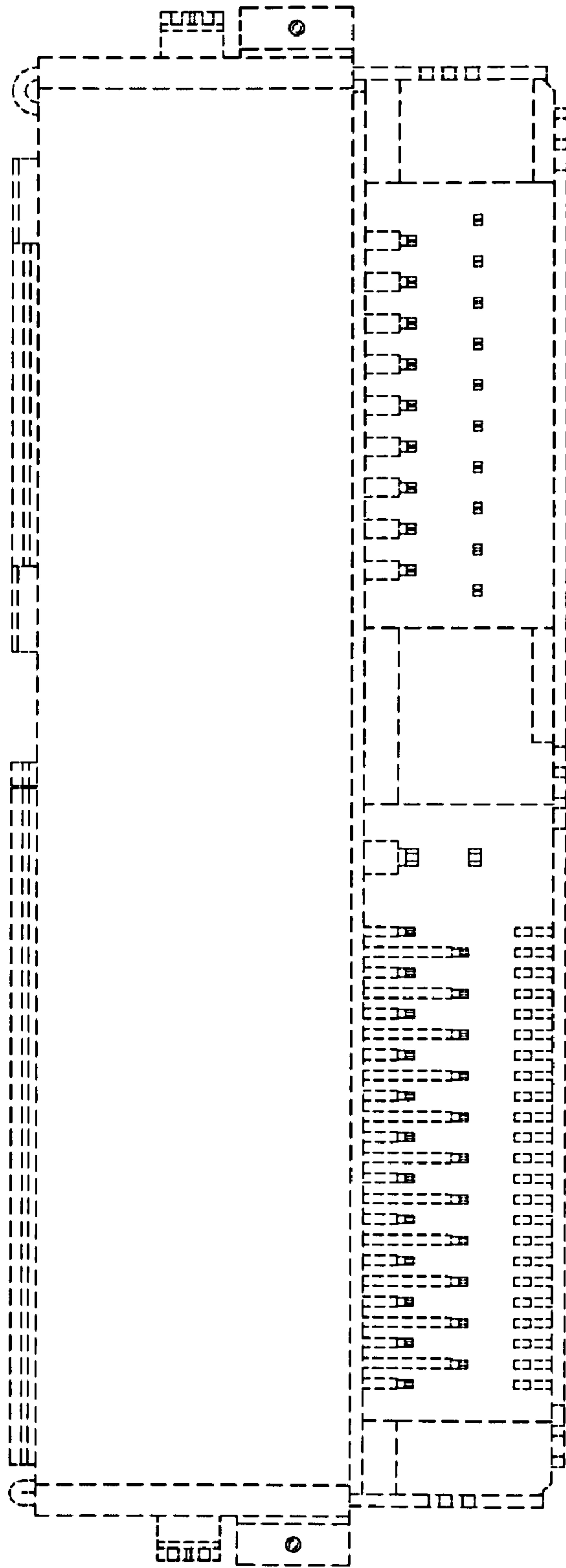


FIG. 7



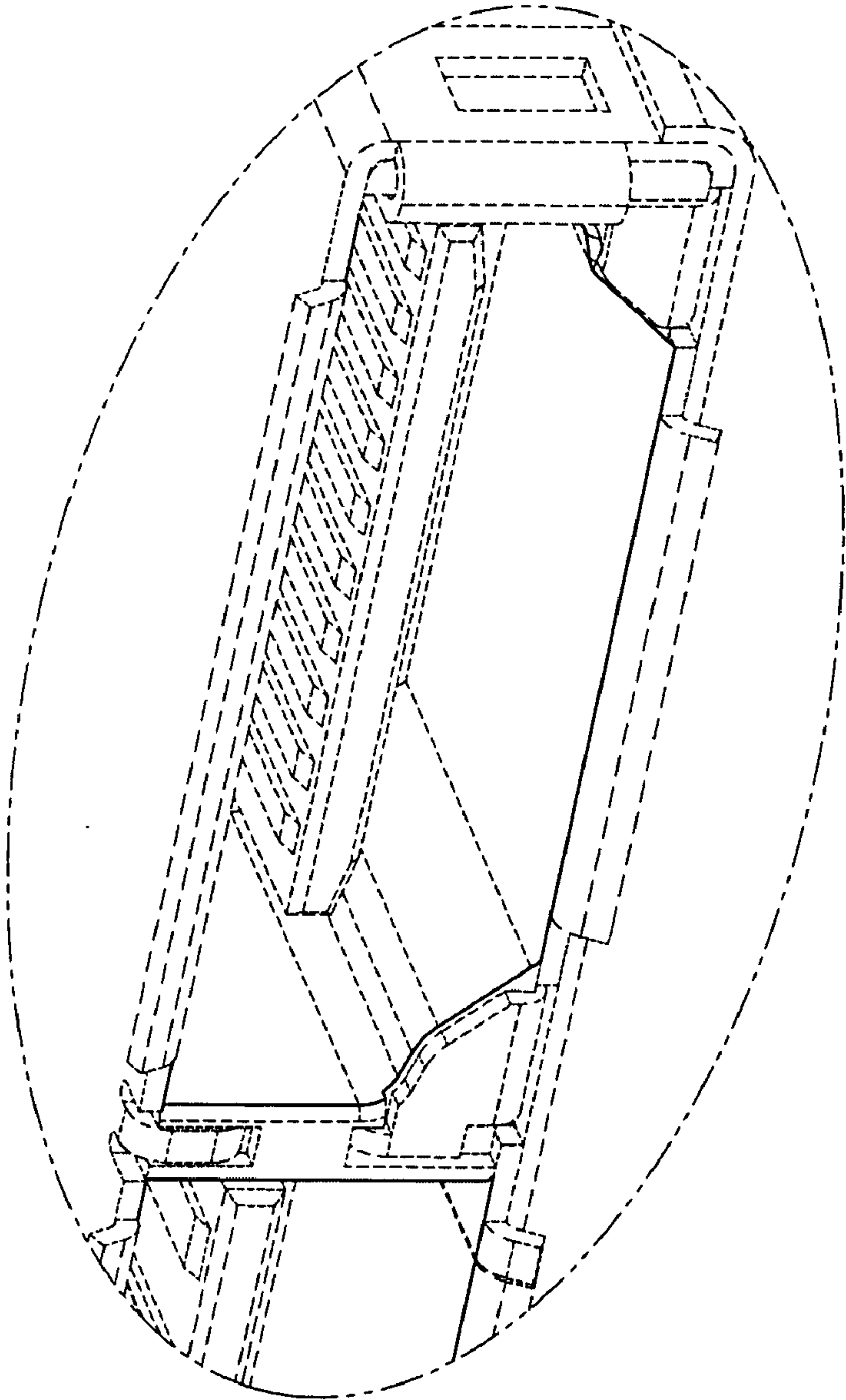


FIG. 8

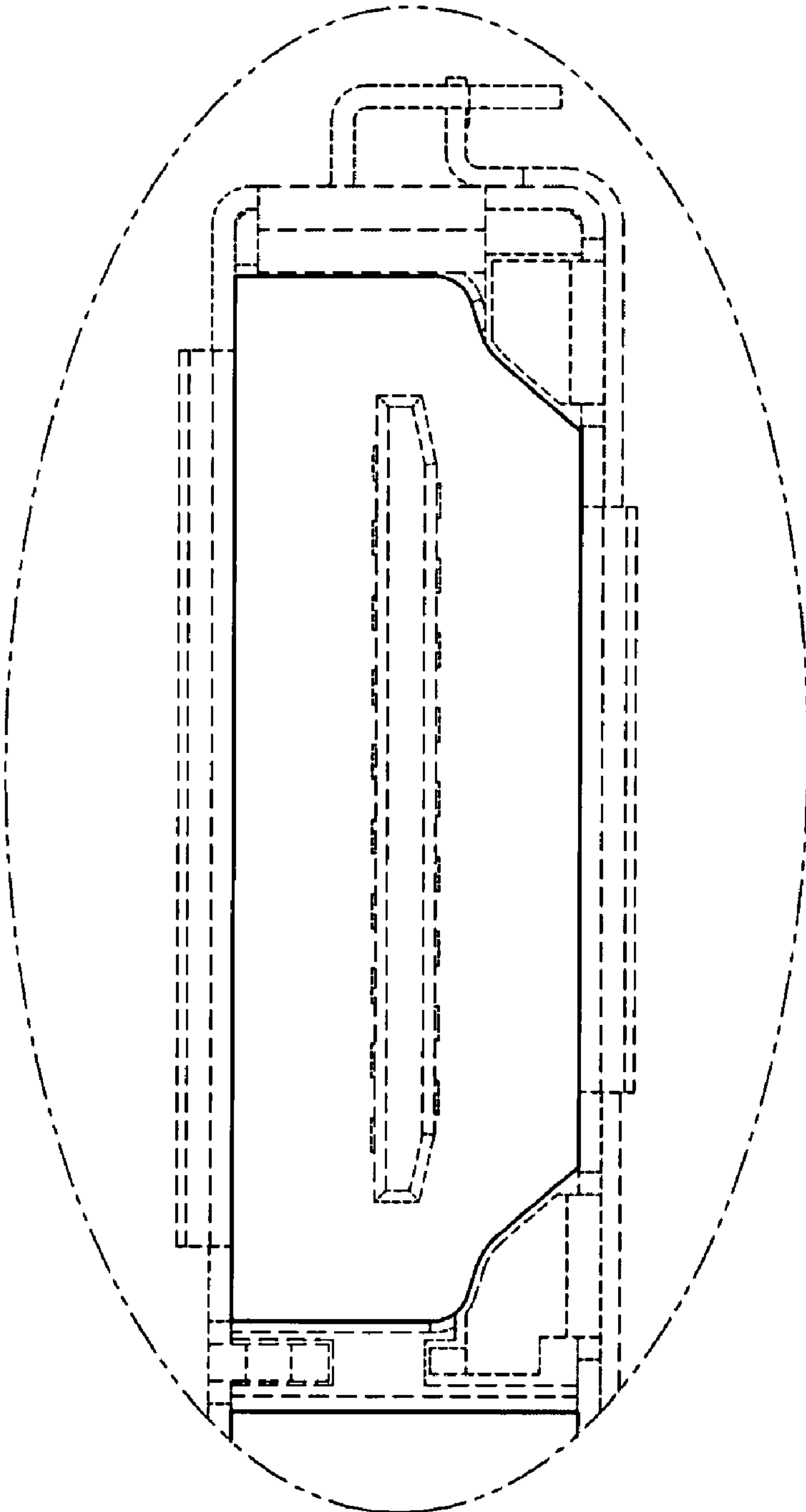


FIG. 9