



US00D607836S

(12) **United States Design Patent**
Yang

(10) **Patent No.:** **US D607,836 S**

(45) **Date of Patent:** **** Jan. 12, 2010**

(54) **CONNECTOR CONTACT**

D576,558 S * 9/2008 Chiang D13/154
D597,036 S * 7/2009 Tagawa et al. D13/156

(75) Inventor: **Chih Ling Yang**, Tu-Cheng (TW)

* cited by examiner

(73) Assignee: **Cheng Uei Precision Industry Co., Ltd.**, Taipei Hsien (TW)

Primary Examiner—Daniel D Bui

(74) *Attorney, Agent, or Firm*—Rosenberg, Klein & Lee

(**) Term: **14 Years**

(57) **CLAIM**

(21) Appl. No.: **29/311,838**

The ornamental design for a connector contact, as shown and described.

(22) Filed: **Jul. 8, 2009**

DESCRIPTION

(51) **LOC (9) Cl.** **13-03**

(52) **U.S. Cl.** **D13/154**

(58) **Field of Classification Search** D13/120,
D13/133, 154, 184; 439/607–610, 732, 844,
439/851–852, 865–867, 872, 877, 884
See application file for complete search history.

FIG. 1 is a perspective view of a connector contact showing my new design;

FIG. 2 is a front elevational view thereof;

FIG. 3 is a rear elevational view thereof;

FIG. 4 is a left side elevational view thereof;

FIG. 5 is a right side elevational view thereof;

FIG. 6 is a top plan view thereof; and,

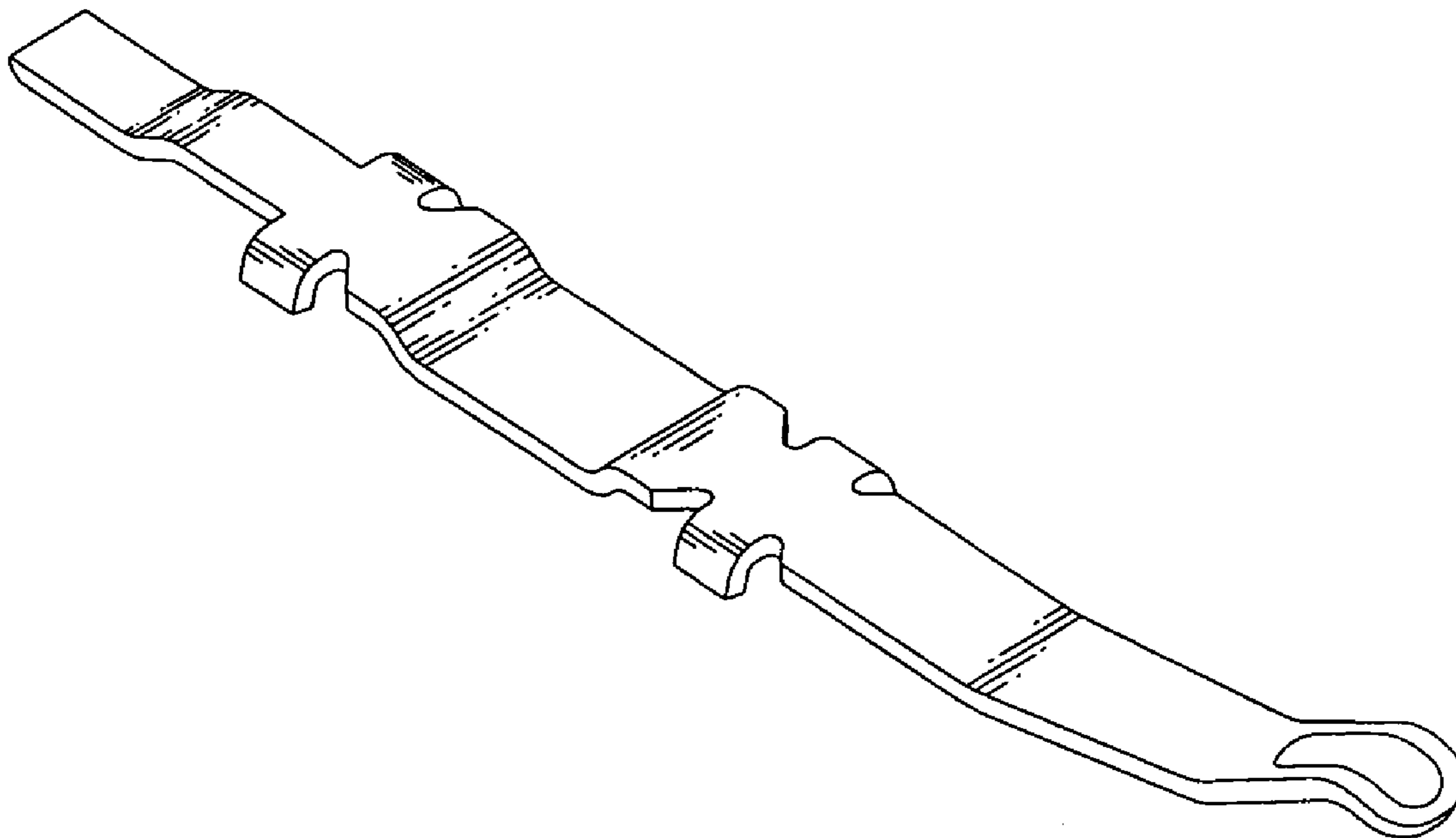
FIG. 7 is a bottom plan view thereof.

(56) **References Cited**

U.S. PATENT DOCUMENTS

D336,284 S * 6/1993 Pruett et al. D13/154
D486,790 S * 2/2004 Kondas D13/133
D494,936 S * 8/2004 Tai et al. D13/154

1 Claim, 7 Drawing Sheets



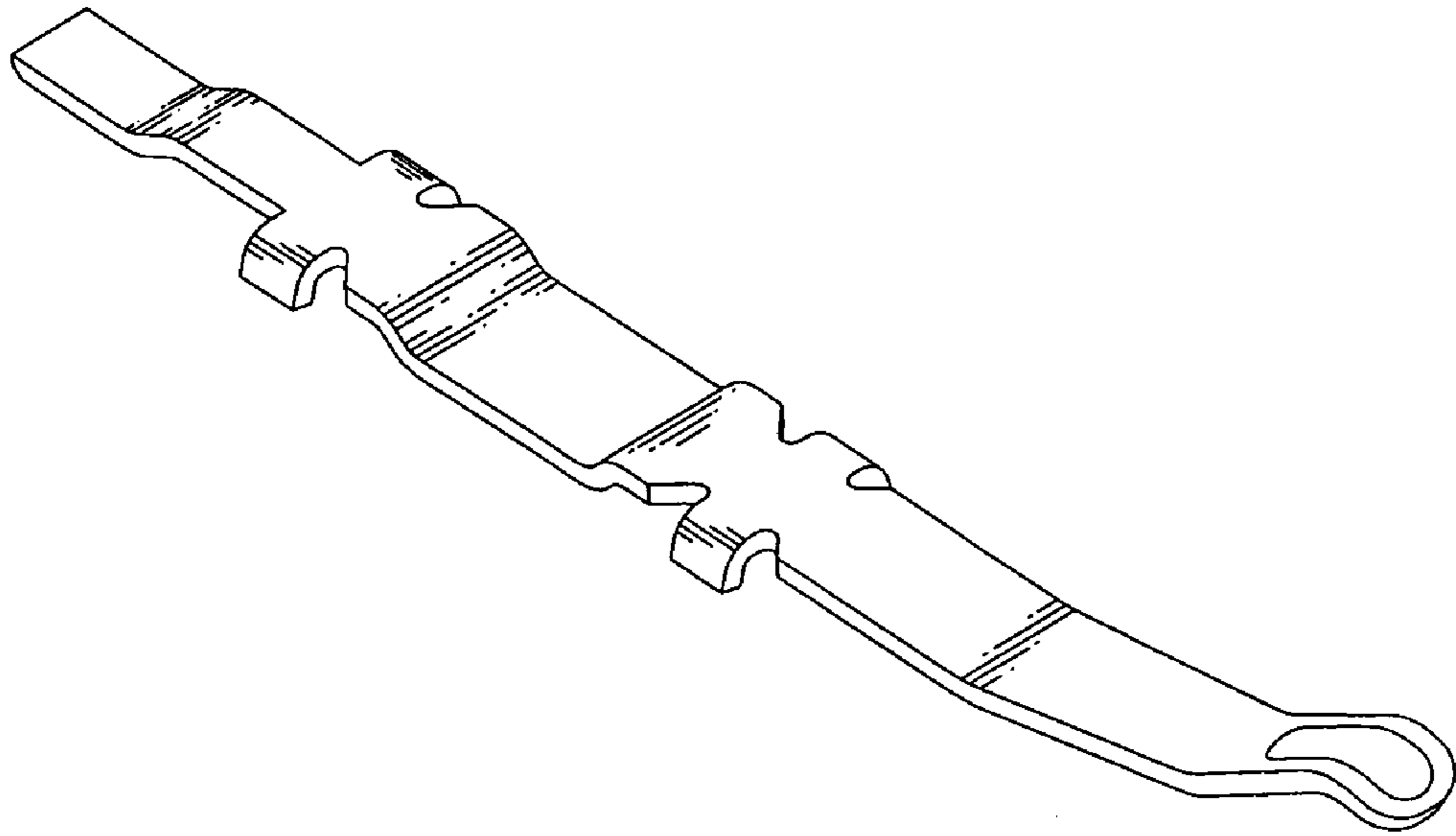


FIG. 1

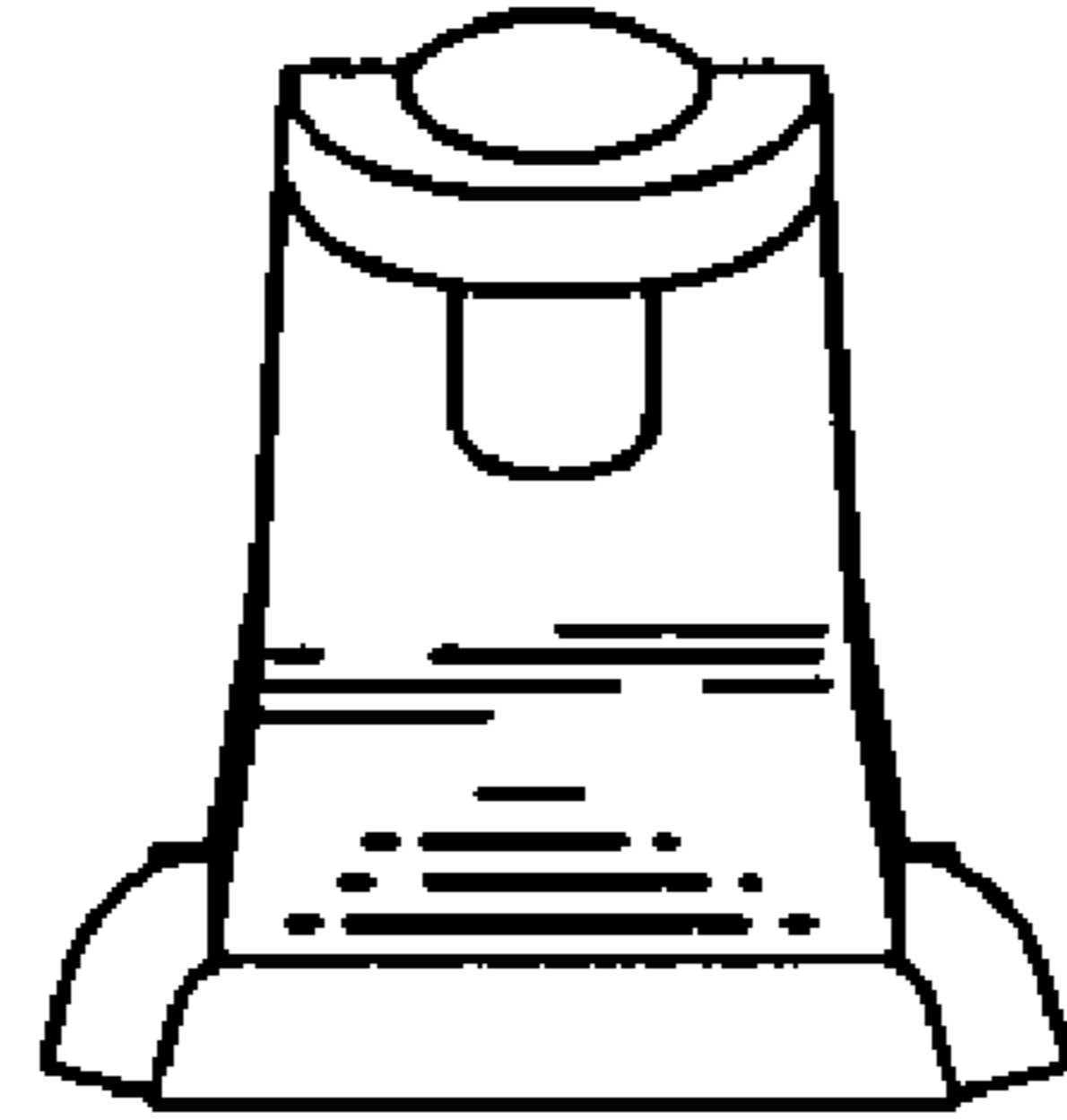


FIG. 2

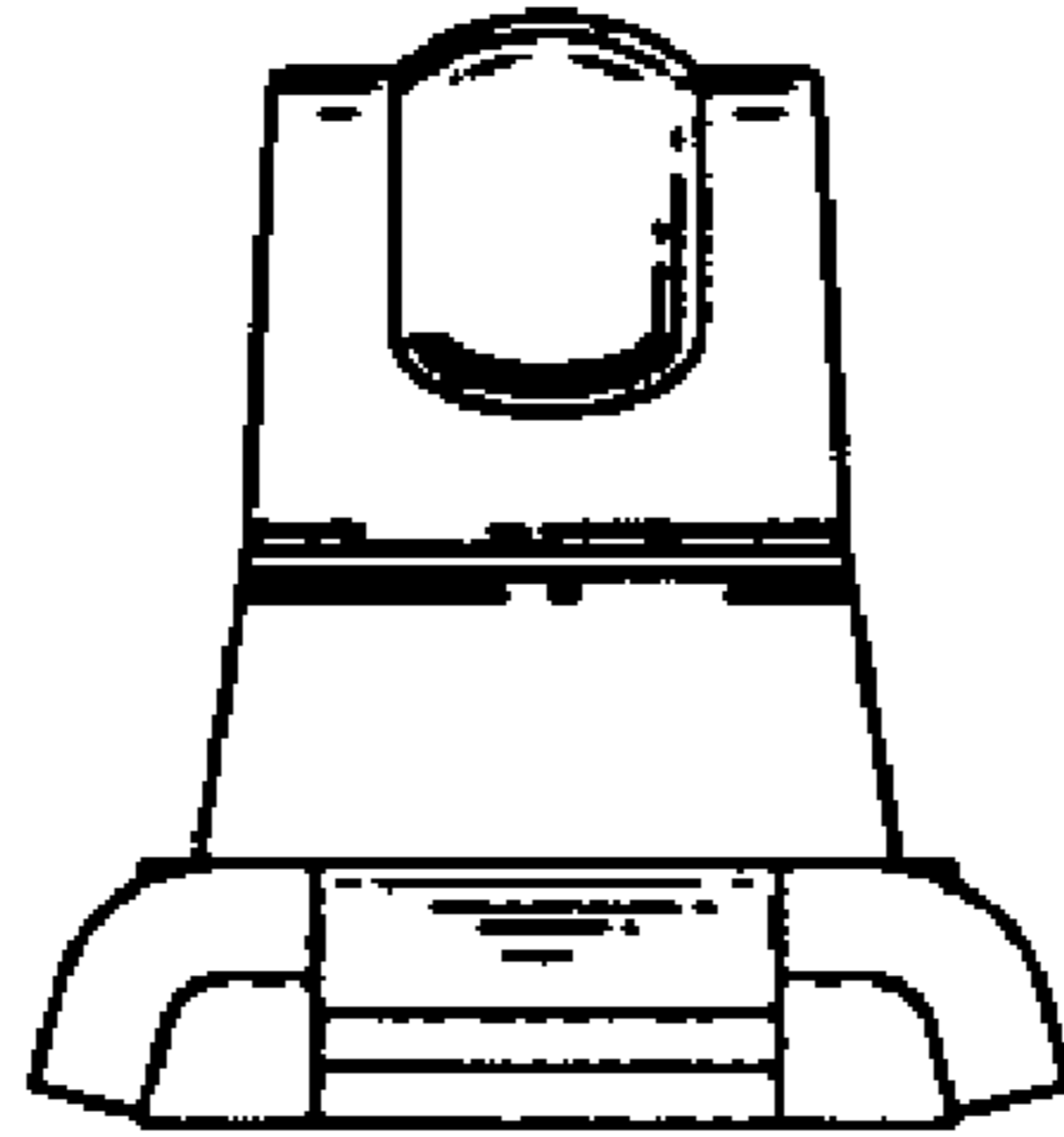


FIG. 3

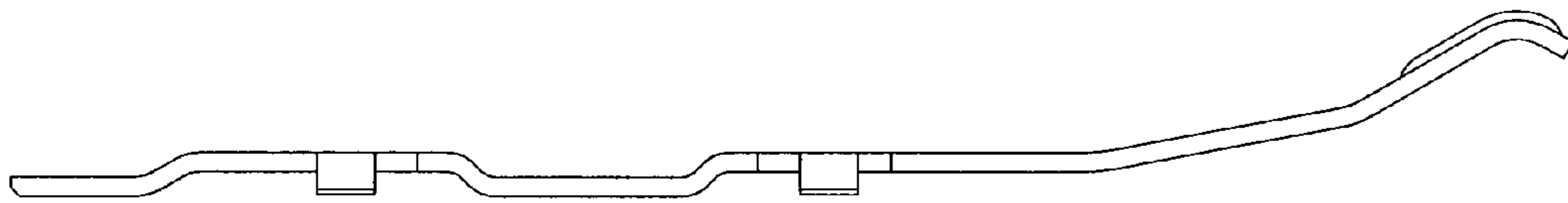


FIG. 4

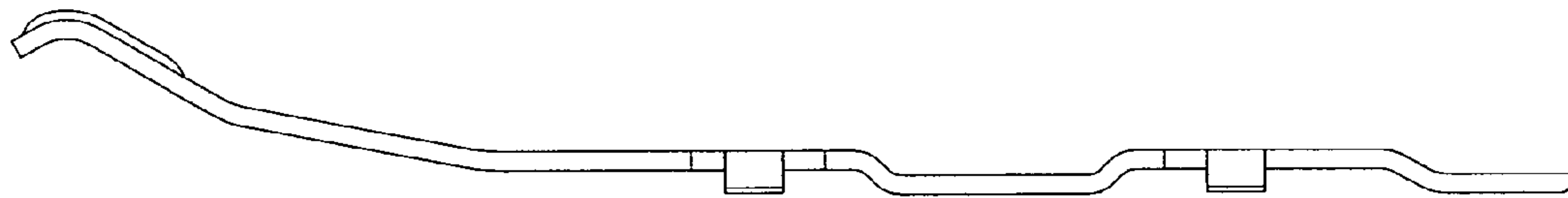


FIG. 5

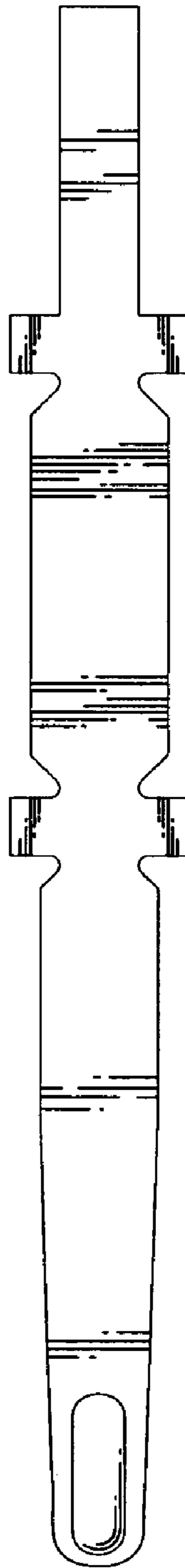


FIG. 6

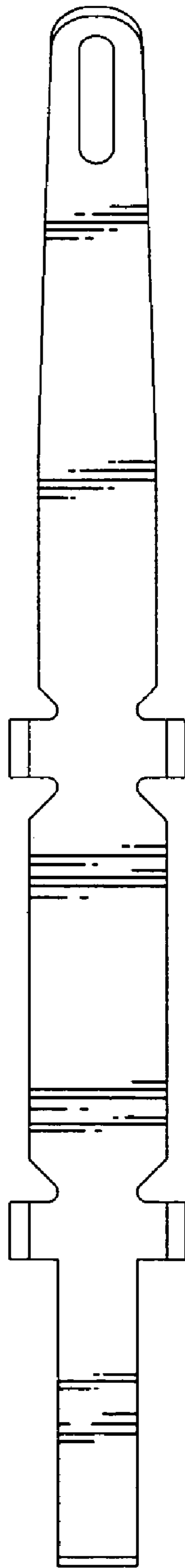


FIG. 7