



US00D607835S

(12) **United States Design Patent**
Huang

(10) **Patent No.:** **US D607,835 S**

(45) **Date of Patent:** **** Jan. 12, 2010**

(54) **CONNECTOR CONTACT**

D582,348 S * 12/2008 Shiu D13/154

(75) Inventor: **Sheng Yuan Huang**, Tu-Cheng (TW)

* cited by examiner

(73) Assignee: **Cheng Uei Precision Industry Co., Ltd.**, Taipei Hsien (TW)

Primary Examiner—Daniel D Bui

(74) *Attorney, Agent, or Firm*—Rosenberg, Klein & Lee

(**) Term: **14 Years**

(57) **CLAIM**

(21) Appl. No.: **29/311,808**

The ornamental design for a connector contact, as shown and described.

(22) Filed: **Jun. 29, 2009**

DESCRIPTION

(51) **LOC (9) Cl.** **13-03**

(52) **U.S. Cl.** **D13/154**

(58) **Field of Classification Search** D13/120,
D13/133, 154, 184; 439/607–610, 732, 844,
439/851–852, 865–867, 872, 877, 884
See application file for complete search history.

FIG. 1 is a perspective view of a connector contact showing my new design;

FIG. 2 is a front elevational view thereof;

FIG. 3 is a rear elevational view thereof;

FIG. 4 is a left side elevational view thereof;

FIG. 5 is a right side elevational view thereof;

FIG. 6 is a top plan view thereof; and,

FIG. 7 is a bottom plan view thereof.

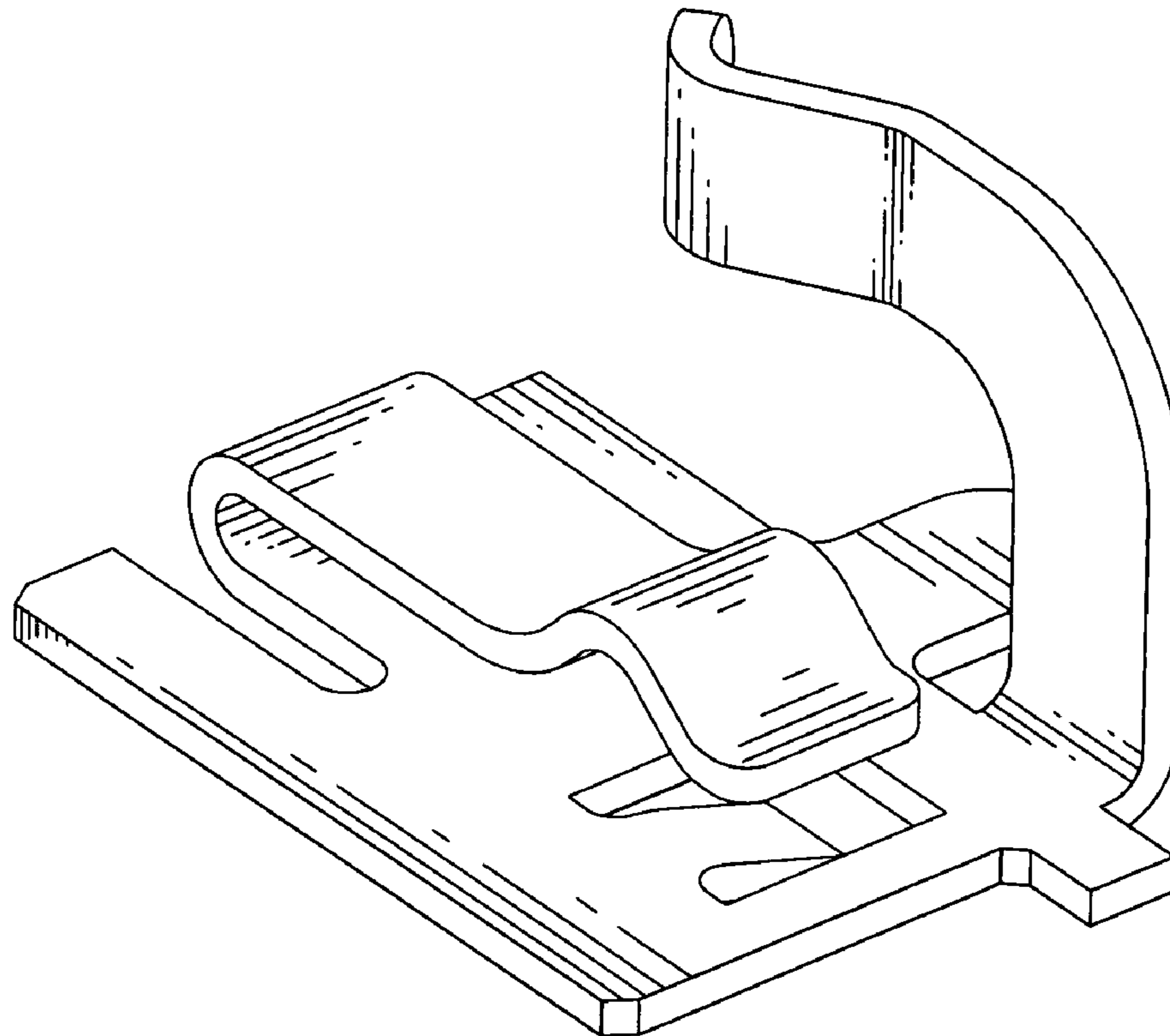
(56) **References Cited**

U.S. PATENT DOCUMENTS

D410,226 S * 5/1999 Yoshiura D13/133

D553,573 S * 10/2007 Kondas D13/149

1 Claim, 7 Drawing Sheets



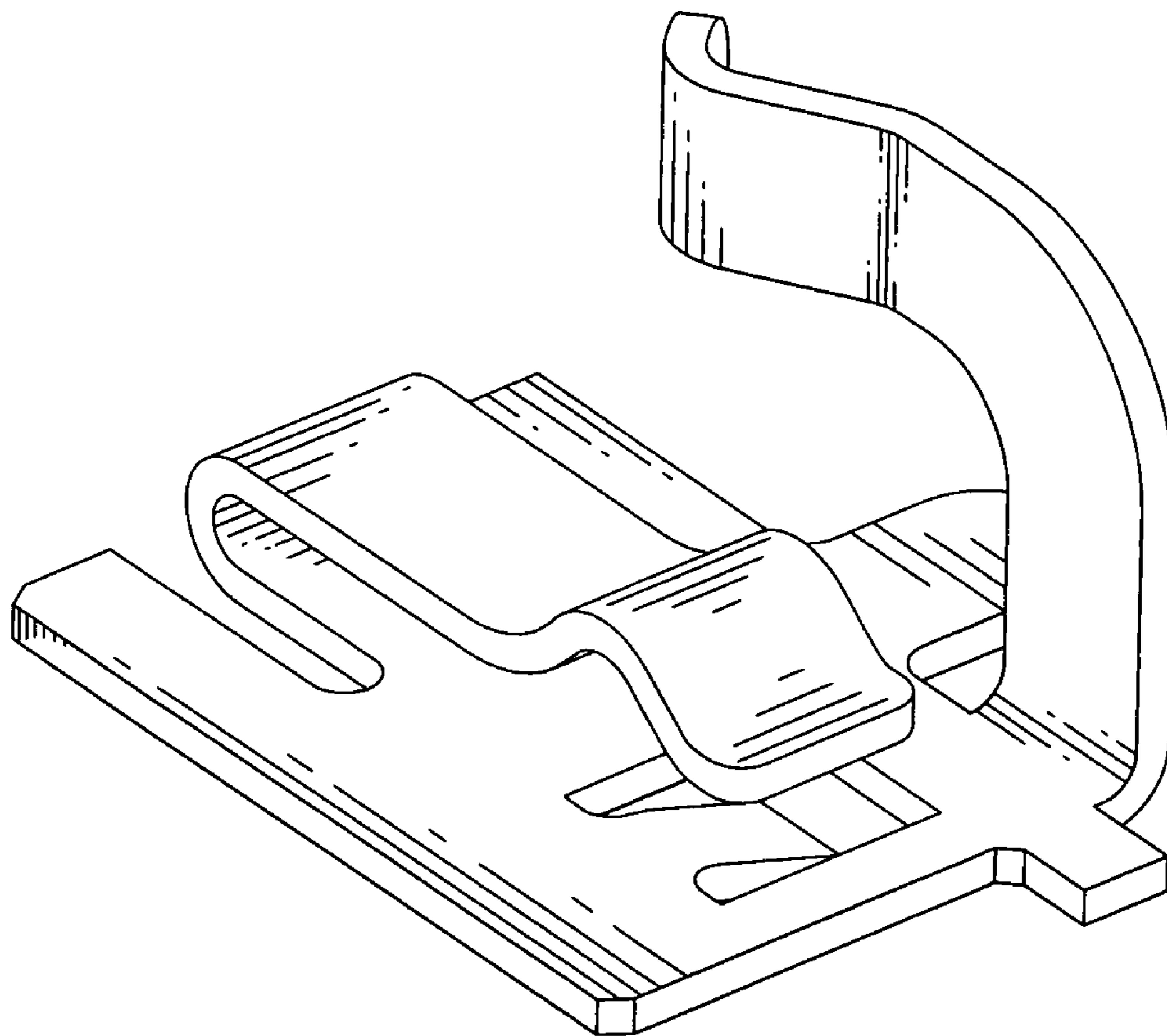


FIG. 1

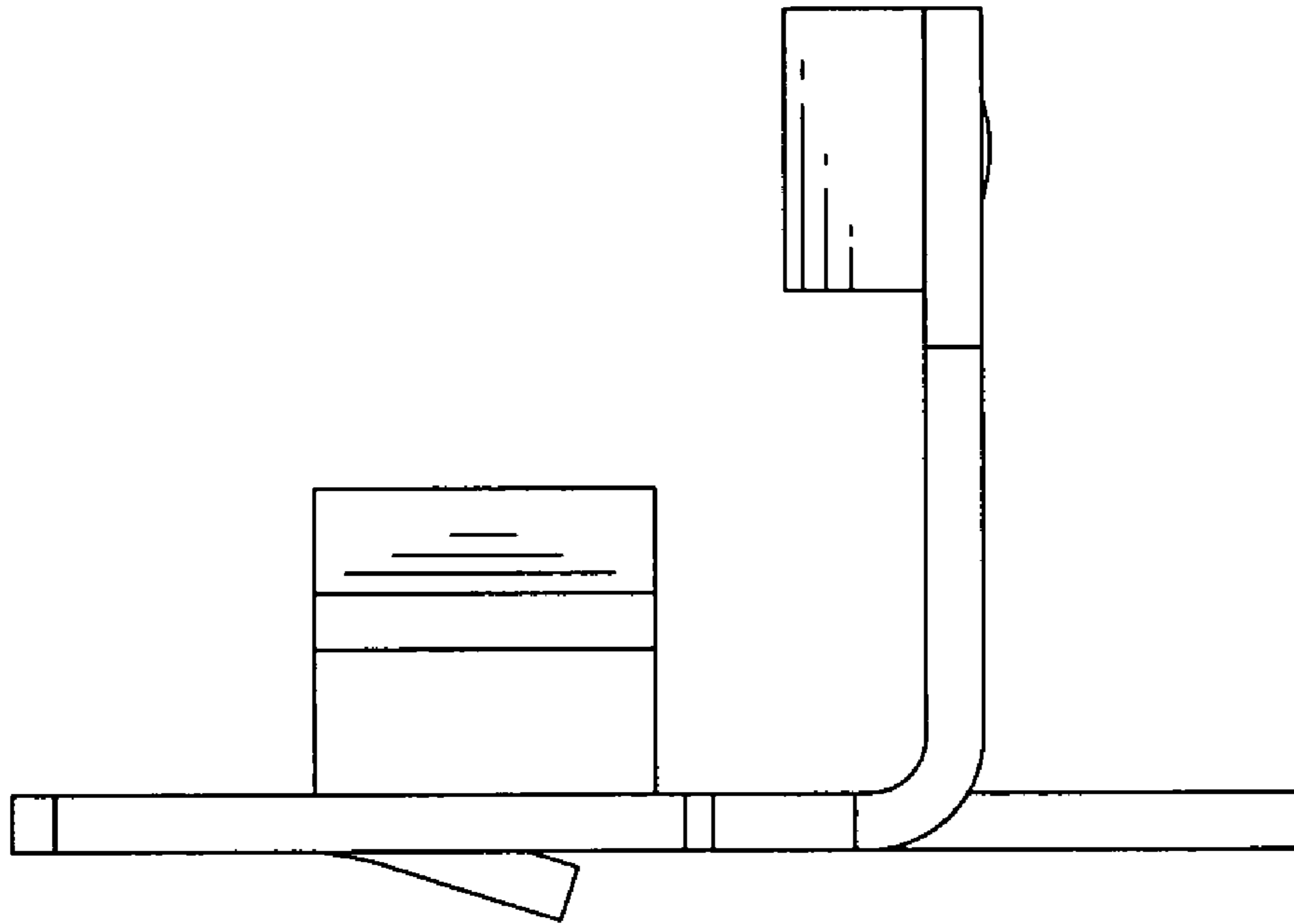


FIG. 2

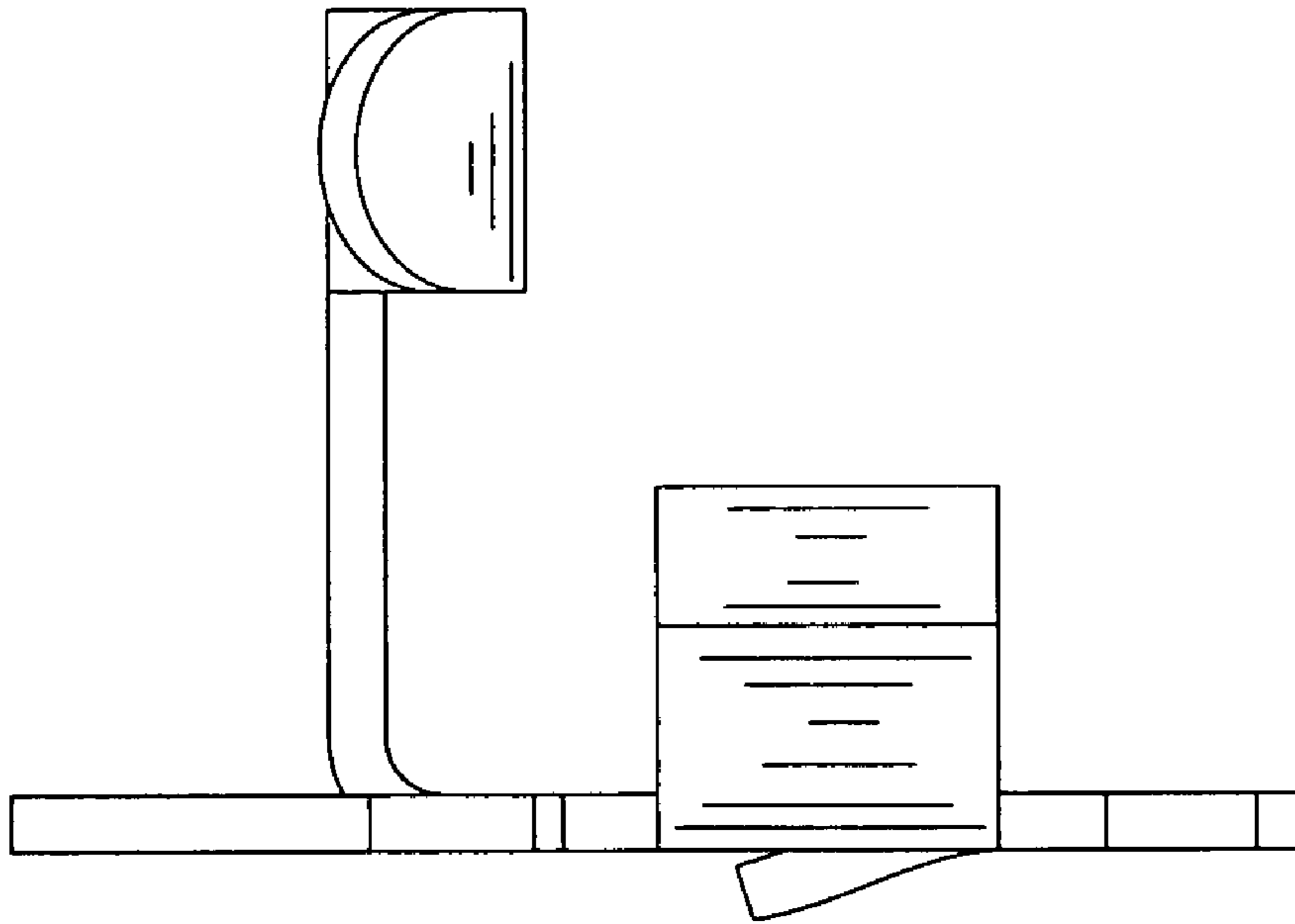


FIG. 3

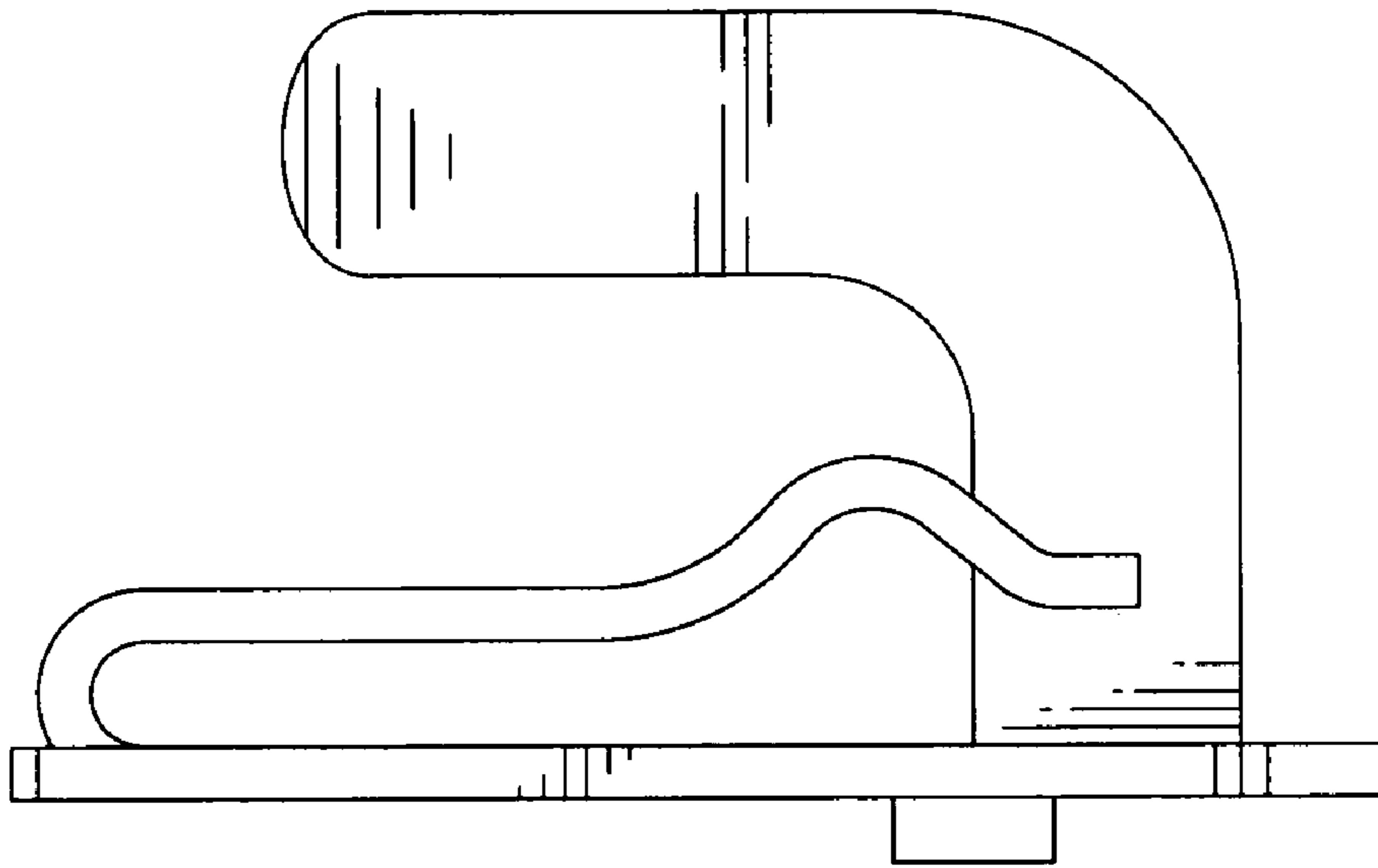


FIG. 4

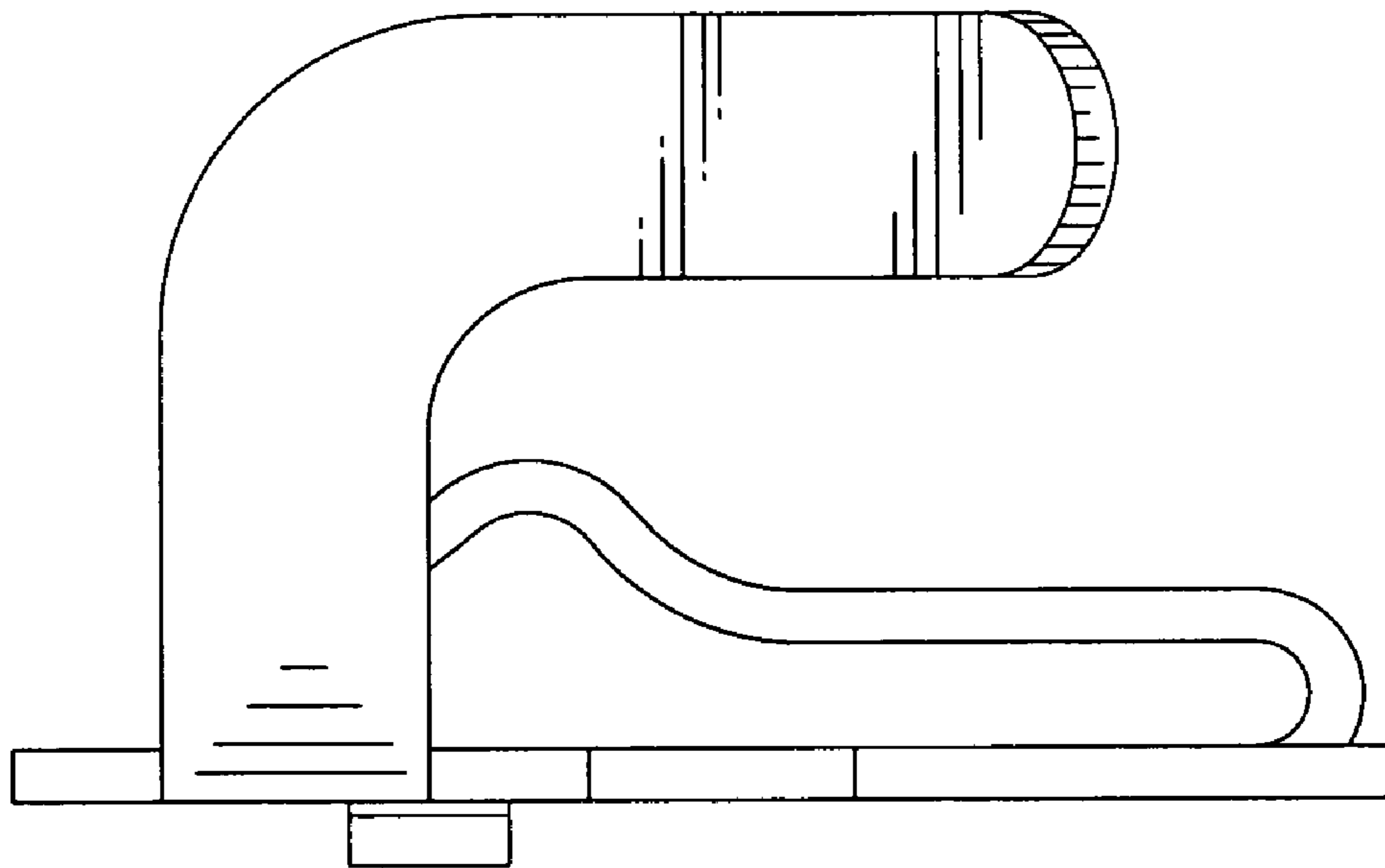


FIG. 5

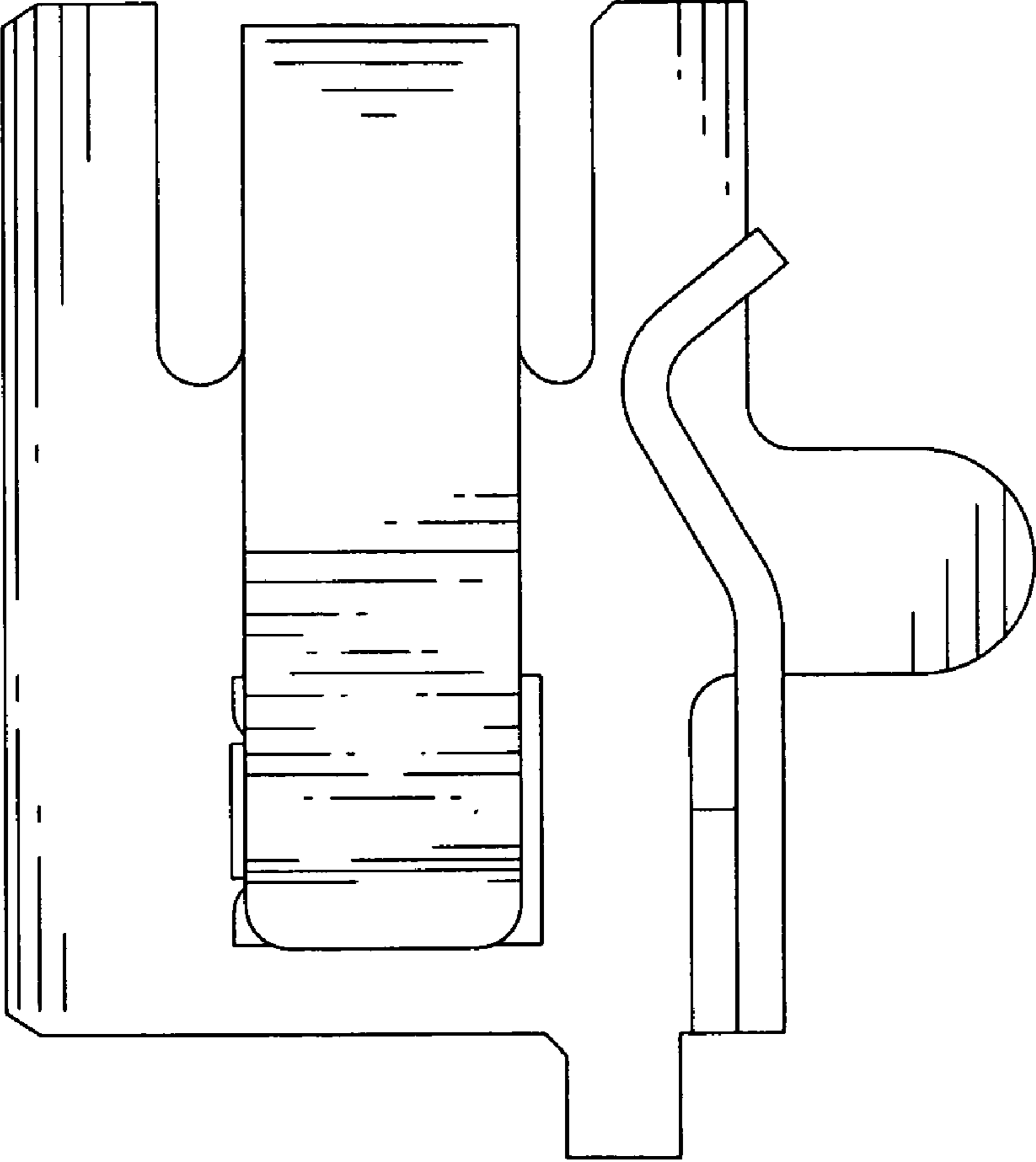


FIG. 6

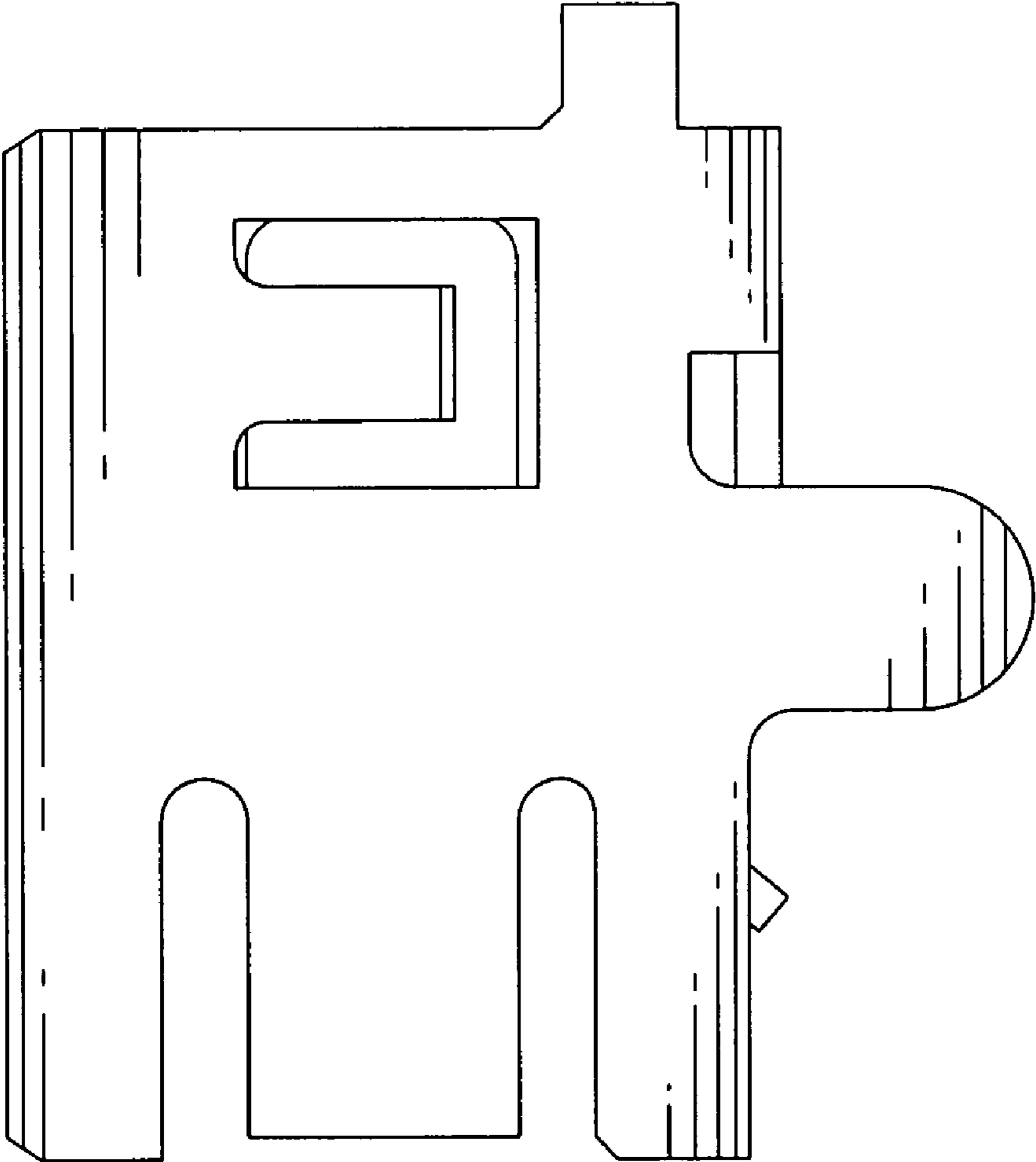


FIG. 7