



US00D607831S

(12) **United States Design Patent**  
**Andre et al.**

(10) **Patent No.:** **US D607,831 S**

(45) **Date of Patent:** **\*\* Jan. 12, 2010**

(54) **CONNECTOR**

(75) Inventors: **Bartley K. Andre**, Menlo Park, CA (US); **Daniel J. Coster**, San Francisco, CA (US); **Daniele De Iulius**, San Francisco, CA (US); **Evans Hankey**, San Francisco, CA (US); **Richard P. Howarth**, San Francisco, CA (US); **Jonathan P. Ive**, San Francisco, CA (US); **Duncan Robert Kerr**, San Francisco, CA (US); **Shin Nishibori**, Portola Valley, CA (US); **Matthew Dean Rohrbach**, San Francisco, CA (US); **Peter Russell-Clarke**, San Francisco, CA (US); **Douglas B. Satzger**, Menlo Park, CA (US); **Christopher J. Stringer**, Woodside, CA (US); **Eugene Antony Whang**, San Francisco, CA (US); **Rico Zorkendorfer**, San Francisco, CA (US)

(73) Assignee: **Apple Inc.**, Cupertino, CA (US)

(\*\*) Term: **14 Years**

(21) Appl. No.: **29/294,334**

(22) Filed: **Jan. 4, 2008**

(51) **LOC (9) Cl.** ..... **13-03**

(52) **U.S. Cl.** ..... **D13/154; D13/147**

(58) **Field of Classification Search** ..... D13/133,  
D13/146-147, 154, 184; 439/350, 352, 439,  
439/447, 582, 58, 607-610, 660, 677, 680,  
439/682

See application file for complete search history.

(56) **References Cited**

**U.S. PATENT DOCUMENTS**

D349,099 S \* 7/1994 Robertson et al. .... D13/147

D415,111 S \* 10/1999 Lee ..... D13/154  
D447,121 S \* 8/2001 Yim ..... D13/147  
D514,524 S \* 2/2006 Suckle ..... D13/156  
D550,158 S \* 9/2007 Victor ..... D13/146  
D553,092 S \* 10/2007 Arai et al. .... D13/147  
2007/0072442 A1 3/2007 DiFonzo et al.  
2007/0072443 A1 3/2007 Rohrbach et al.

**OTHER PUBLICATIONS**

Apple Inc., MacBook Pro, www.apple.com, available as early as Jan. 14, 2006.

\* cited by examiner

*Primary Examiner*—Daniel D Bui

(74) *Attorney, Agent, or Firm*—SAIDMAN DesignLaw Group

(57) **CLAIM**

The ornamental design for a connector, as shown and described.

**DESCRIPTION**

FIG. 1 is a top, front perspective view of a connector showing our new design;

FIG. 2 is a bottom, front perspective view thereof;

FIG. 3 is a top, rear perspective view thereof;

FIG. 4 is a bottom, rear perspective view thereof;

FIG. 5 is a front view thereof;

FIG. 6 is a rear view thereof;

FIG. 7 is a left side view thereof;

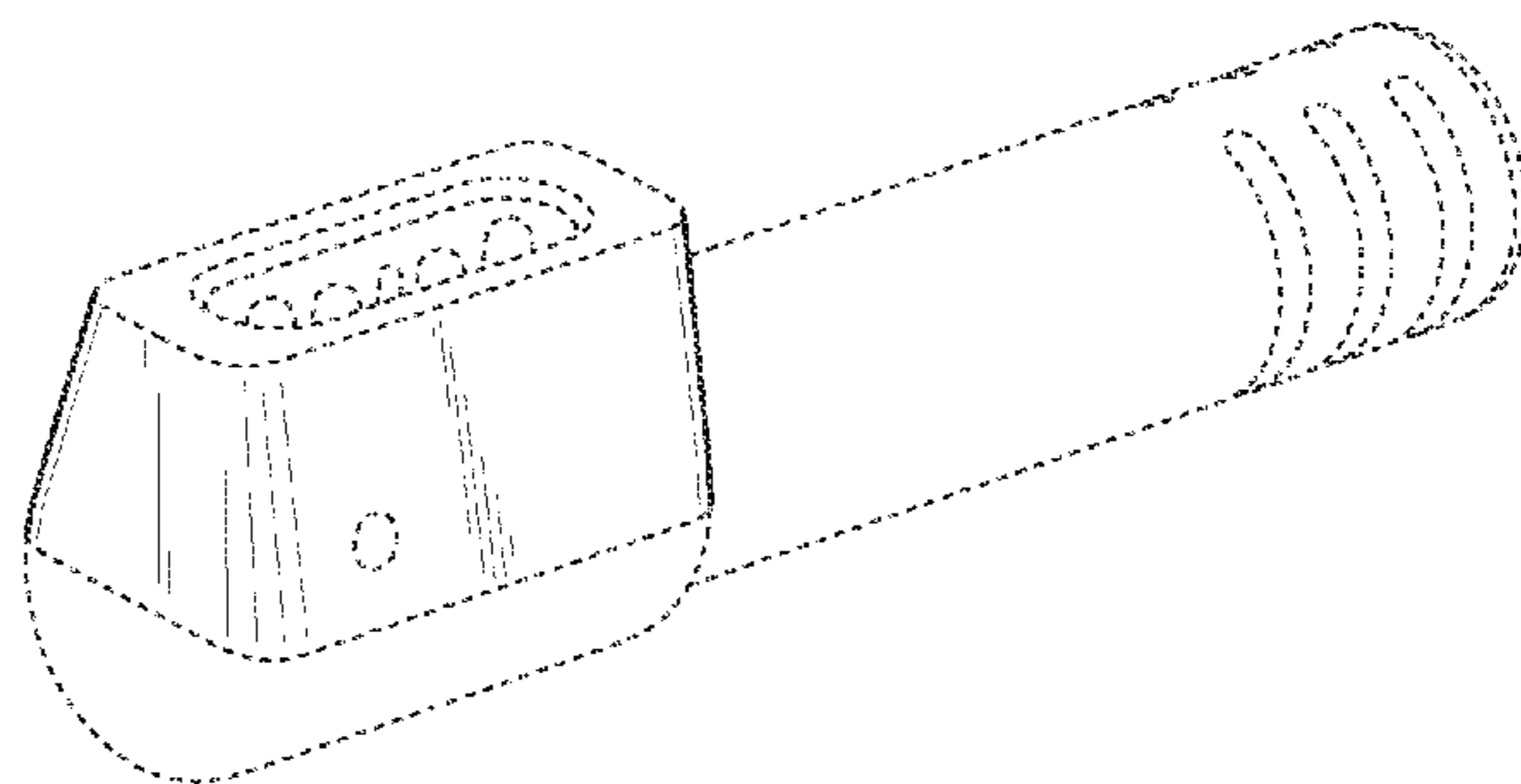
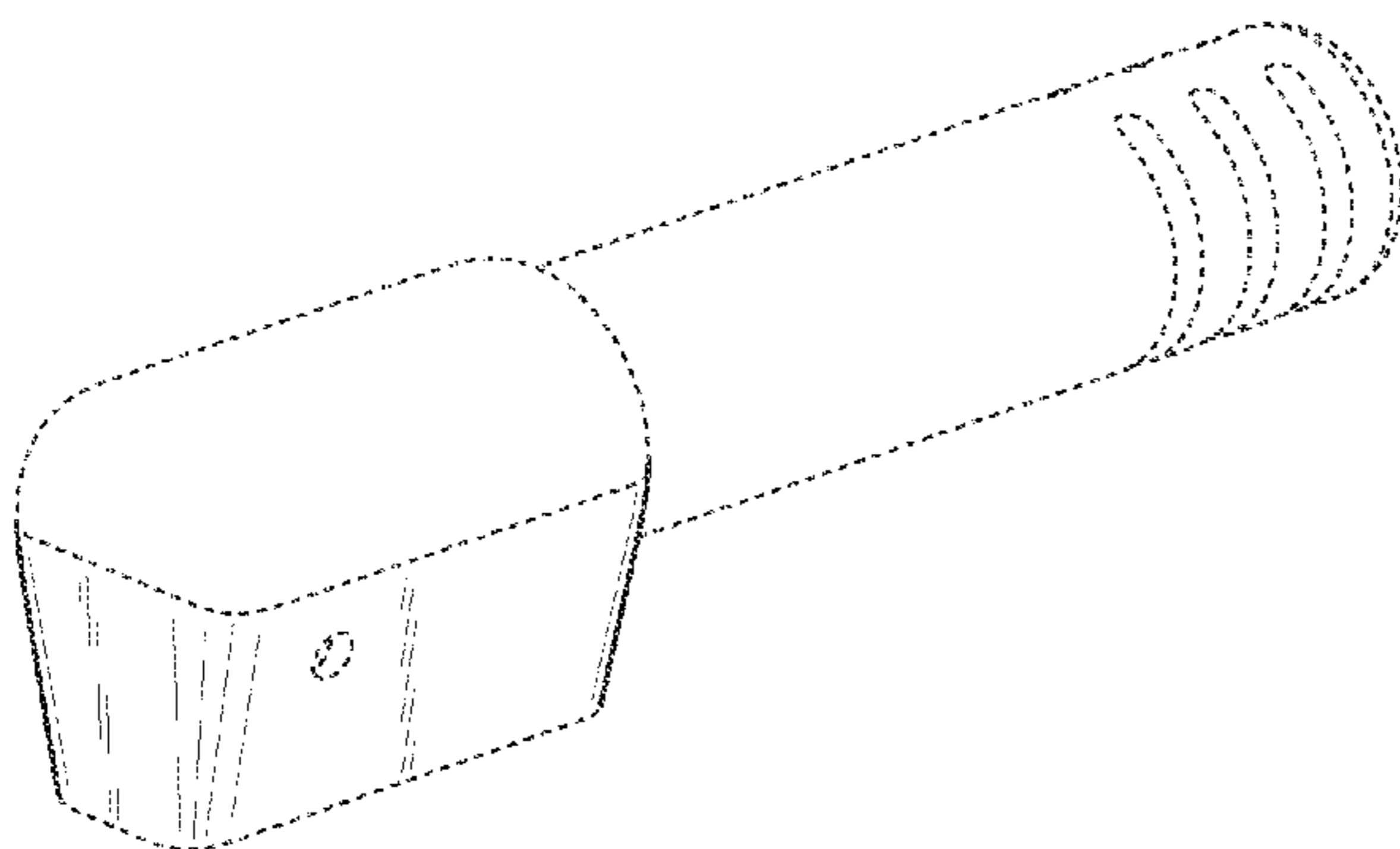
FIG. 8 is a right side view thereof;

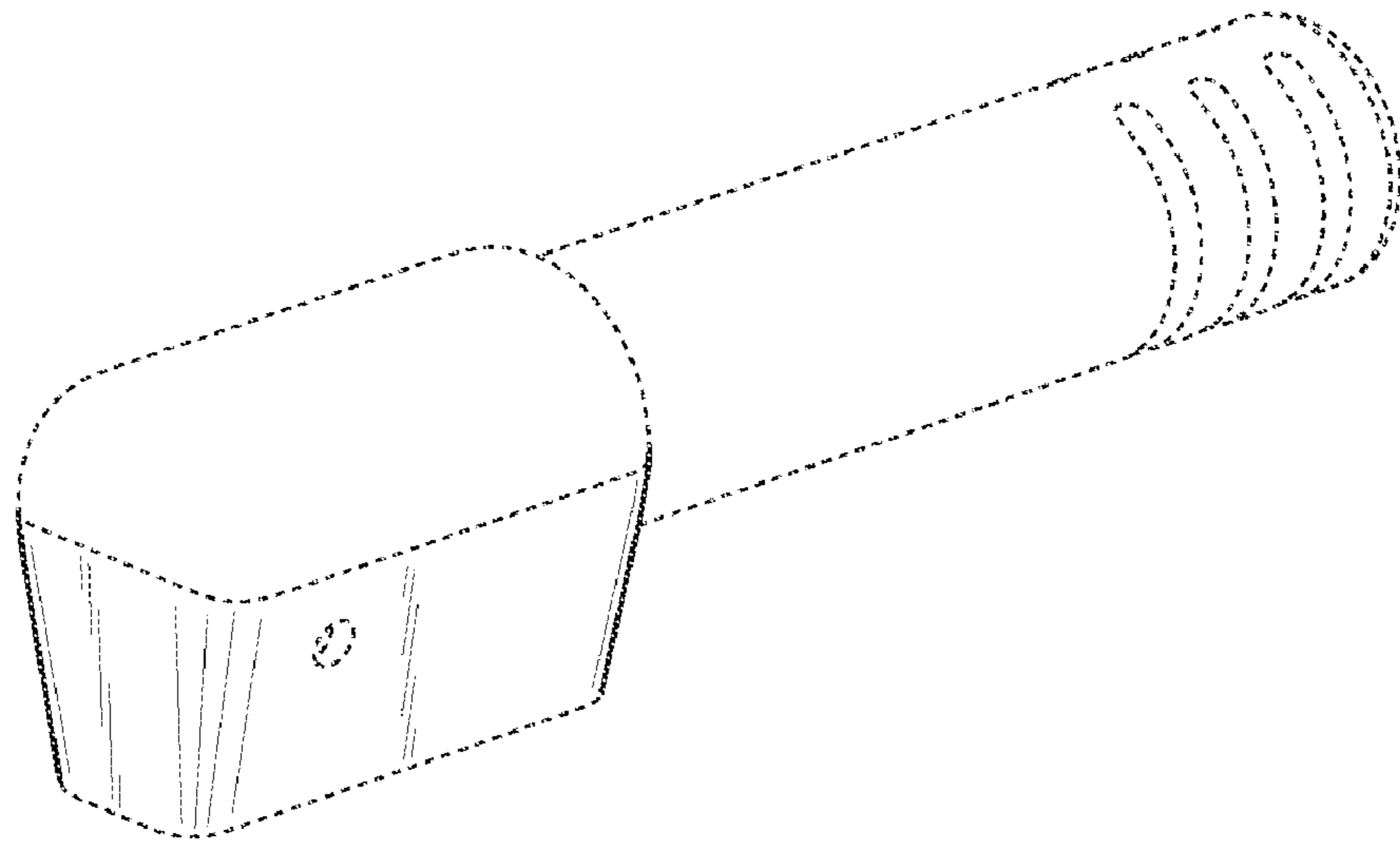
FIG. 9 is a top view thereof; and,

FIG. 10 is a bottom view thereof.

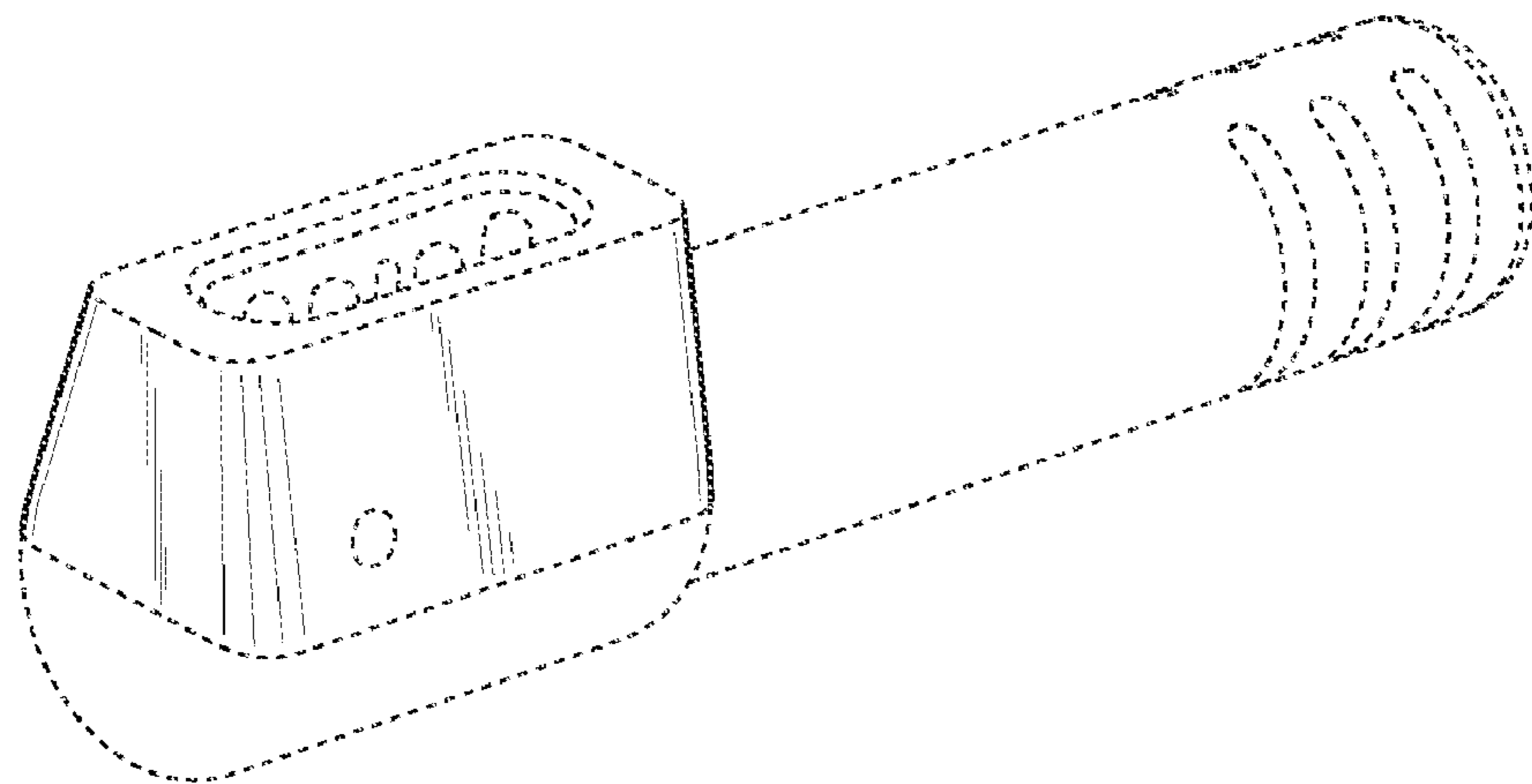
The broken lines are environmental and form no part of the claimed design.

**1 Claim, 5 Drawing Sheets**

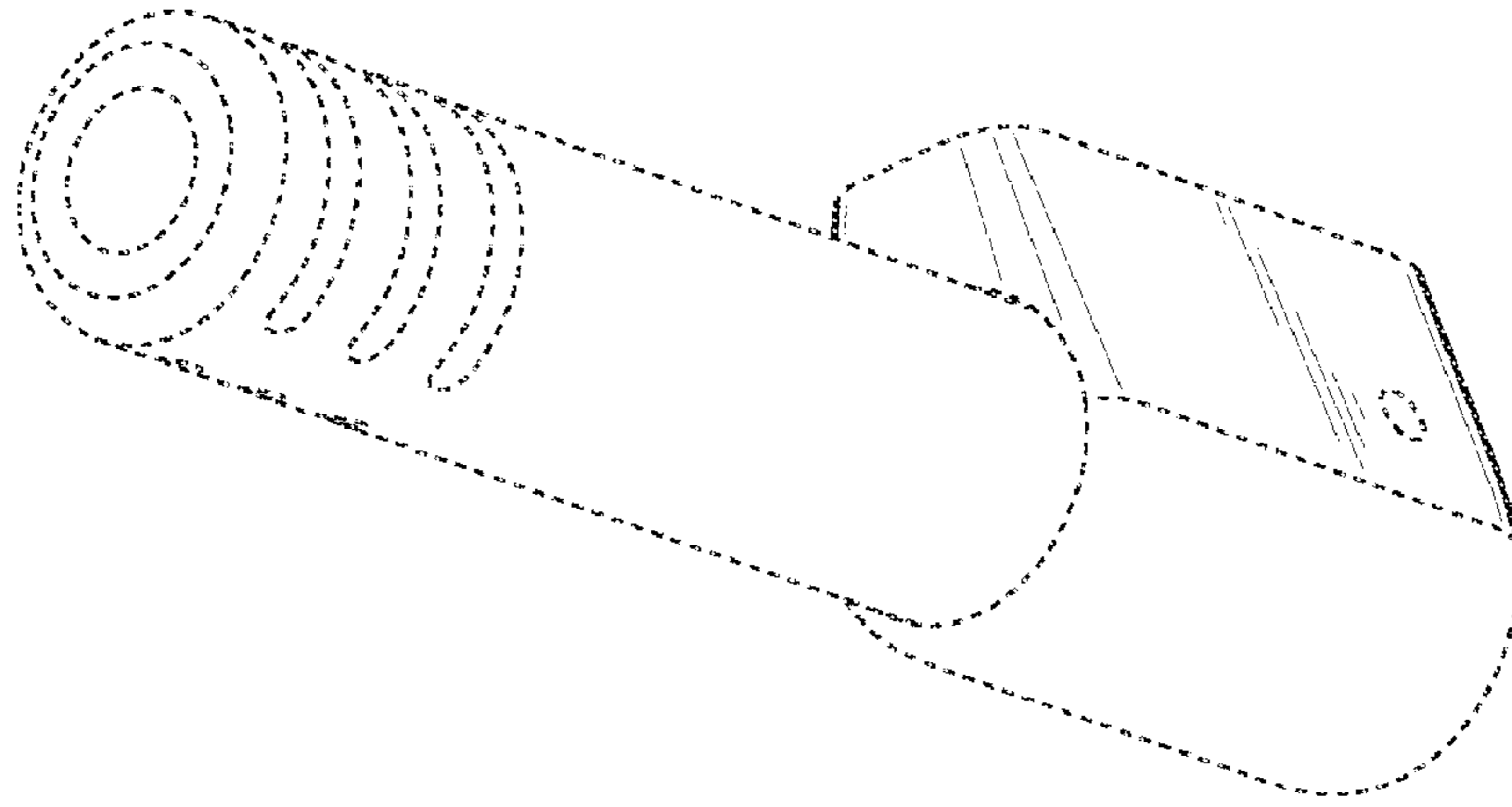




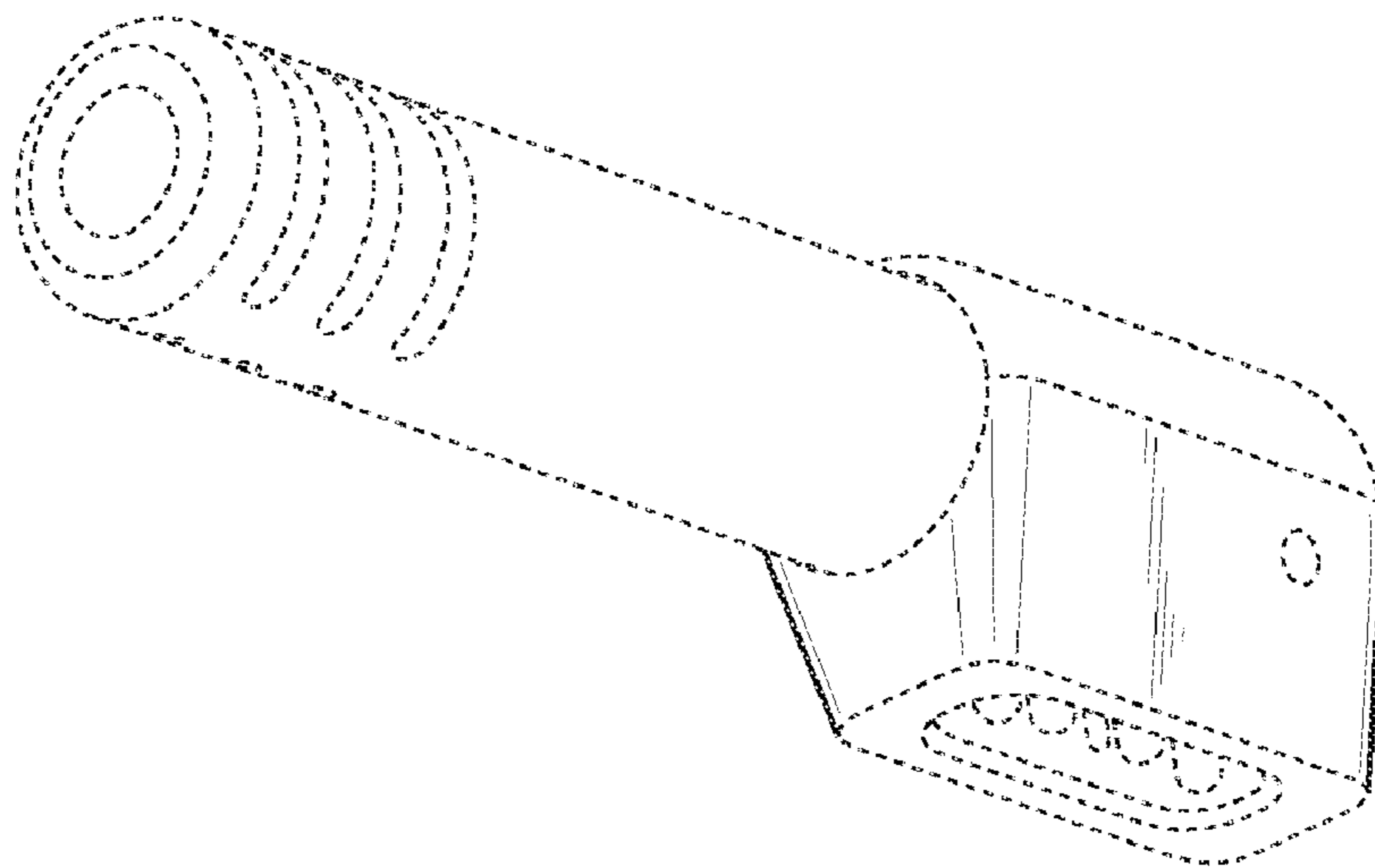
**Fig. 1**



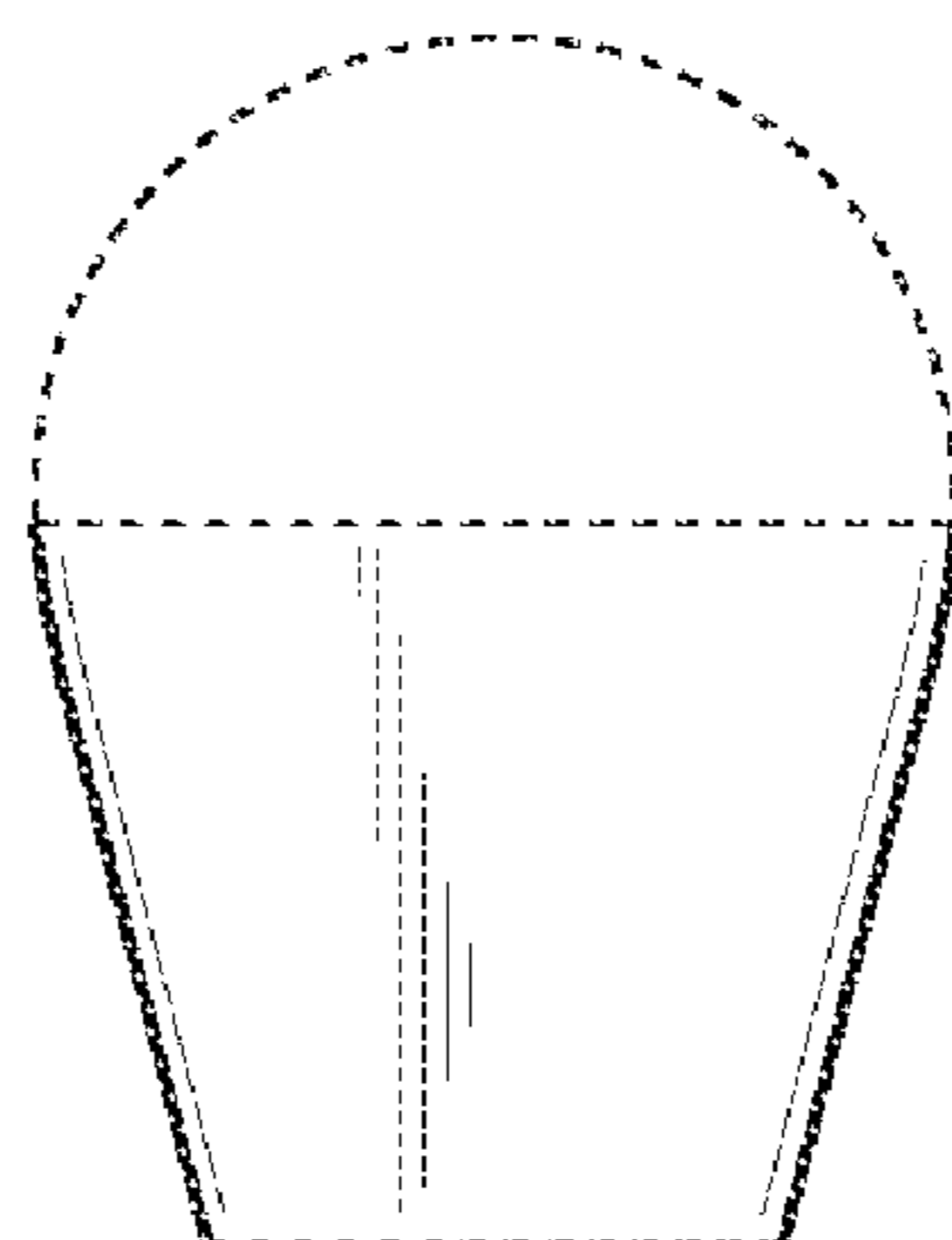
**Fig. 2**



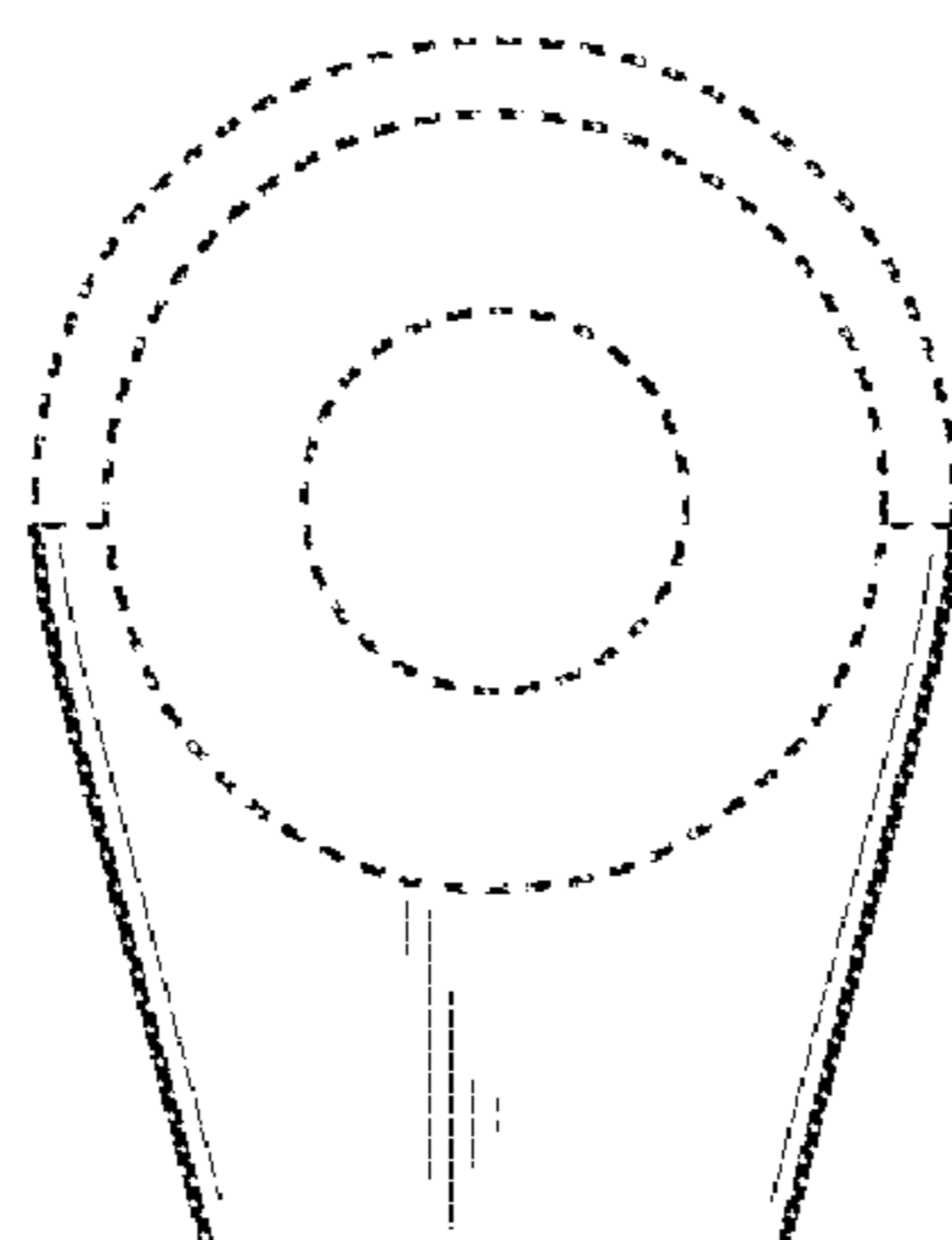
**Fig. 3**



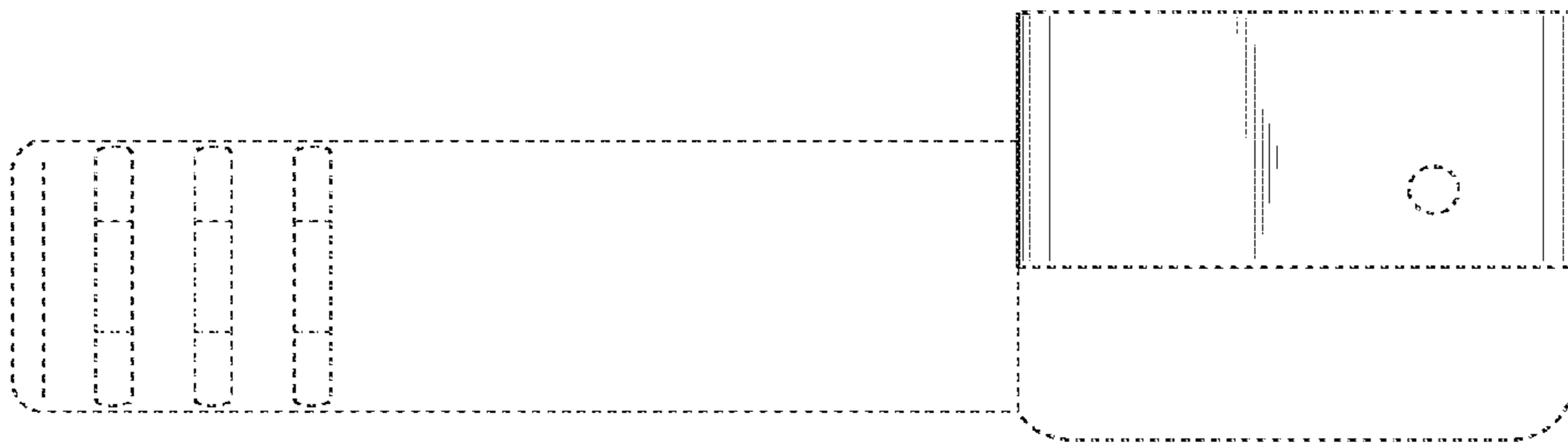
**Fig. 4**



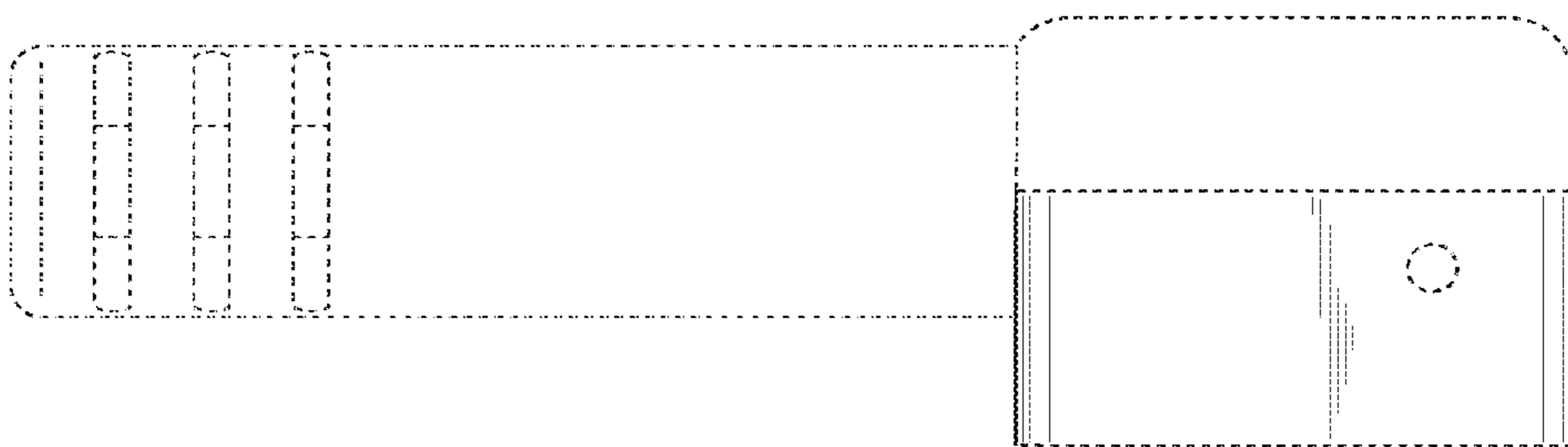
***Fig. 5***



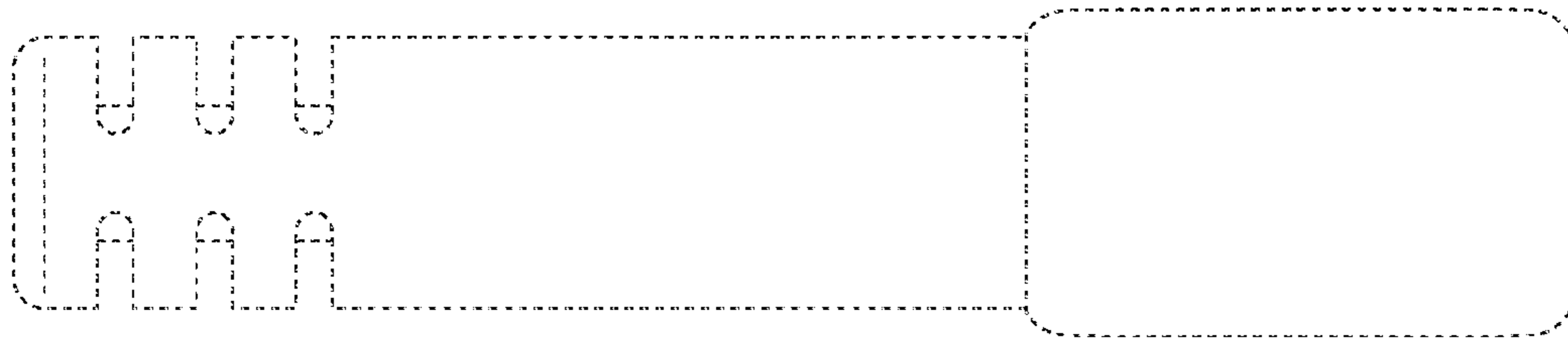
***Fig. 6***



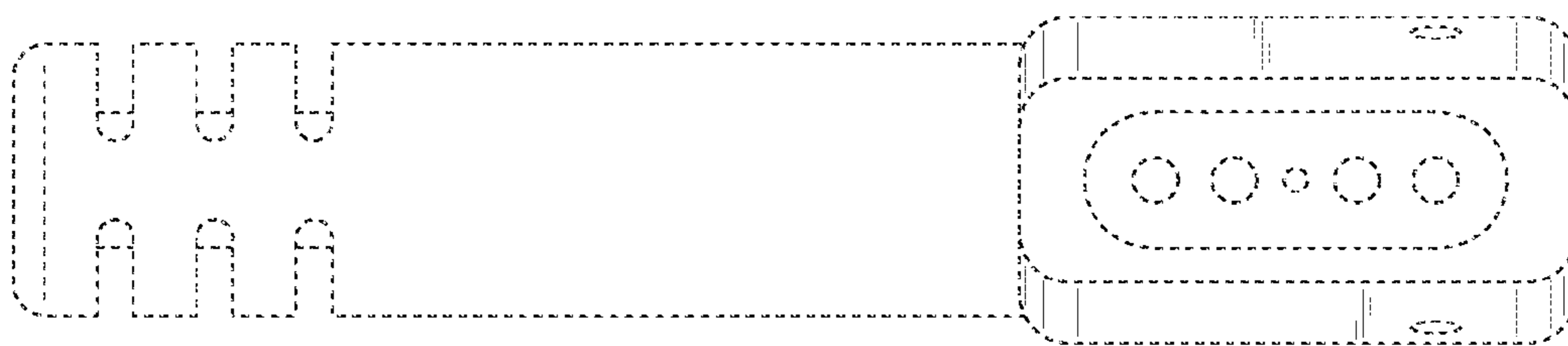
*Fig. 7*



*Fig. 8*



*Fig. 9*



*Fig. 10*