



US00D607829S

(12) **United States Design Patent**  
**Shaw**

(10) **Patent No.:** **US D607,829 S**  
(45) **Date of Patent:** **\*\* \*Jan. 12, 2010**

(54) **RINGED, COMPRESSED COAXIAL CABLE F-CONNECTOR WITH TACTILE SURFACES**

(75) Inventor: **Glen David Shaw**, Conway, AR (US)

(73) Assignee: **DS Engineering, LLC**, North Little Rock, AR (US)

(\* ) Notice: This patent is subject to a terminal disclaimer.

(\*\*) Term: **14 Years**

(21) Appl. No.: **29/293,426**

(22) Filed: **Nov. 26, 2007**

(51) **LOC (9) Cl.** ..... **13-03**

(52) **U.S. Cl.** ..... **D13/151; D13/133**

(58) **Field of Classification Search** ..... D13/133, D13/149, 153, 154, 156, 184, 199, 151; 439/578, 439/583, 584, 585, 133, 321, 322, 668; 411/7, 411/11; 426/507; 28/828; 307/10.1; 333/81 A  
See application file for complete search history.

(56) **References Cited**

**U.S. PATENT DOCUMENTS**

D148,897 S	3/1948	Ward	
D181,302 S	10/1957	Logan	
3,522,576 A	8/1970	Cairns	
3,686,623 A	8/1972	Nijman	
3,710,005 A	1/1973	French	
D241,341 S	9/1976	Oxley	
4,046,052 A *	9/1977	Nordstrom	411/1
4,593,964 A	6/1986	Forney, Jr.	
4,684,201 A	8/1987	Hutter	
4,746,305 A	5/1988	Nomura	
RE32,787 E	11/1988	Gallusser	
4,834,675 A	5/1989	Samchisen	
4,936,788 A	6/1990	Lin	
D313,222 S	12/1990	Takizawa	
4,990,106 A	2/1991	Szegda	
5,011,422 A	4/1991	Yeh	

5,024,606 A	6/1991	Ming	
5,043,696 A	8/1991	Wang	
5,078,623 A	1/1992	Wang	
5,088,936 A	2/1992	Wang	
5,112,250 A	5/1992	Wang	
D327,872 S	7/1992	McMills	
5,167,525 A	12/1992	Wang	
5,167,536 A	12/1992	Wang	
5,170,067 A *	12/1992	Baum et al.	307/10.1
5,192,226 A	3/1993	Wang	
5,219,299 A	6/1993	Wang	
5,226,838 A	7/1993	Hsu	
D339,568 S	9/1993	Salz	
5,321,207 A	6/1994	Huang	

(Continued)

*Primary Examiner*—Daniel D Bui  
*Assistant Examiner*—Thomas J Johannes  
(74) *Attorney, Agent, or Firm*—Steven D. Carver

(57) **CLAIM**

The ornamental the design for a ringed, compressed coaxial cable F-connector with tactile surfaces, as shown and described.

**DESCRIPTION**

FIG. 1 is an isometric view of a ringed, compressed coaxial cable F-connector with tactile surfaces showing my new design;

FIG. 2 is a left side view thereof, the right side views comprising a mirror image thereof;

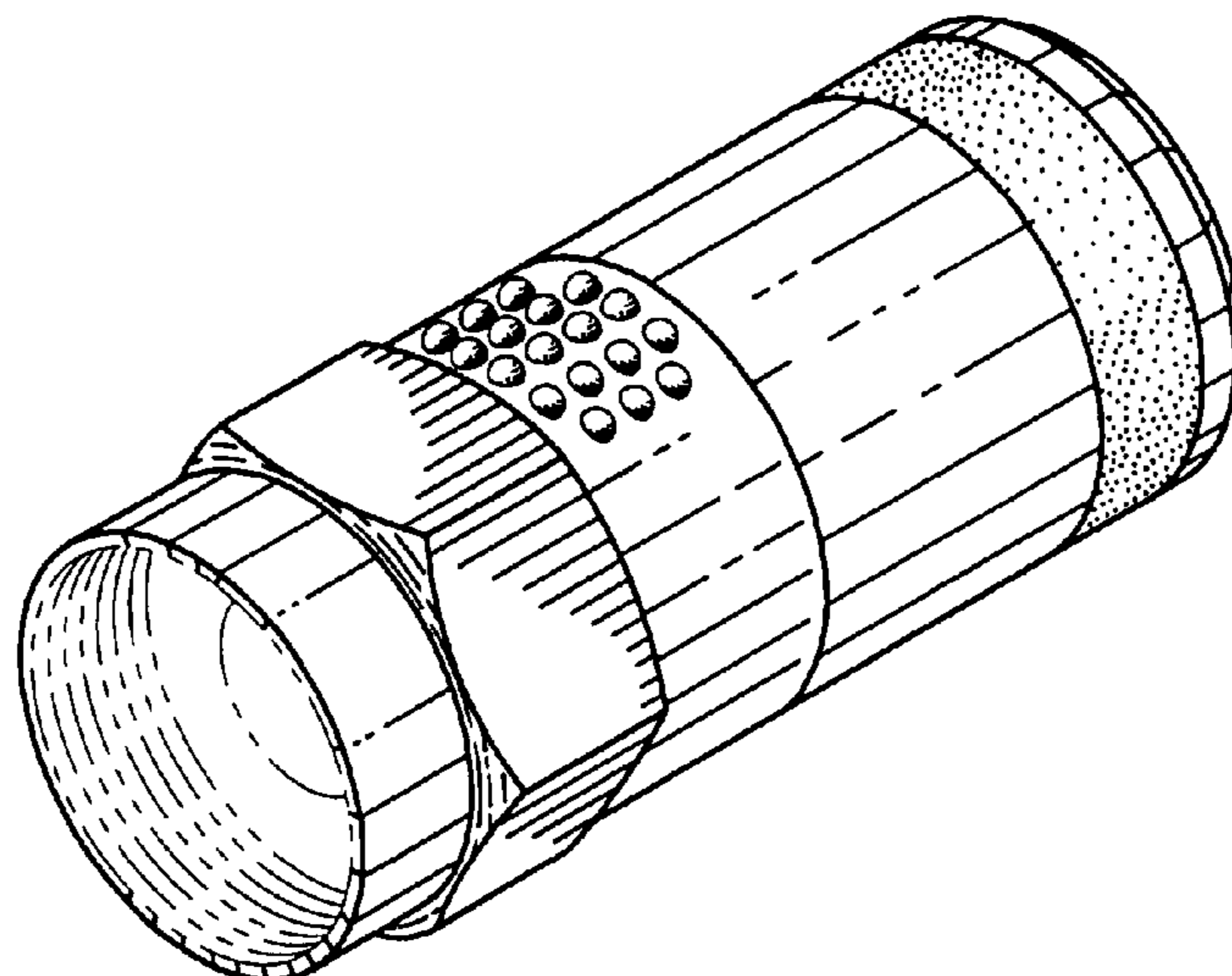
FIG. 3 is a top plan view thereof, the bottom view comprising a mirror image thereof;

FIG. 4 is a front end view of thereof; and,

FIG. 5 is a rear end view thereof.

The internal features shown in dot-dot-dash broken lines appearing in the front and rear end views of FIGS. 3 and 4, respectively, represent unclaimed subject matter and form no part of the claimed design.

**1 Claim, 2 Drawing Sheets**



# US D607,829 S

U.S. PATENT DOCUMENTS							
5,340,325	A	8/1994	Pai	6,767,248	B1	7/2004	Hung
5,383,798	A	1/1995	Lin	6,767,249	B1	7/2004	Li
5,387,116	A	2/1995	Wang	6,769,926	B1	8/2004	Montena
5,387,127	A	2/1995	Wang	6,776,650	B2	8/2004	Cheng
5,389,012	A	2/1995	Huang	6,776,657	B1	8/2004	Hung
5,397,252	A	3/1995	Wang	6,776,665	B2	8/2004	Huang
5,413,502	A	5/1995	Wang	6,780,052	B2	8/2004	Montena
5,430,618	A	7/1995	Huang	6,789,653	B1	9/2004	Hsu
5,438,251	A	8/1995	Chen	6,793,526	B1	9/2004	Hsu
5,456,614	A *	10/1995	Szegda ..... 439/321	6,799,995	B2	10/2004	Hsu
5,470,257	A	11/1995	Szegda	6,817,897	B2	11/2004	Chee
5,478,258	A	12/1995	Wang	6,848,940	B2	2/2005	Montena
5,498,175	A	3/1996	Yeh	6,860,751	B1	3/2005	Huang
5,499,934	A *	3/1996	Jacobsen et al. .... 439/585	D503,685	S	4/2005	Montena
5,599,198	A	2/1997	Wang	D504,113	S	4/2005	Montena
5,631,880	A	5/1997	Wang	D504,114	S	4/2005	Montena
5,632,651	A	5/1997	Szegda	D504,202	S	4/2005	Montena
5,667,409	A	9/1997	Wong	6,881,075	B2	4/2005	Huang
5,683,263	A	11/1997	Hsu	6,884,113	B1	4/2005	Montena
5,702,261	A	12/1997	Wang	D505,391	S	5/2005	Rodrigues
5,723,818	A	3/1998	Yeh	6,887,090	B2	5/2005	Lin
5,730,621	A	3/1998	Wang	D506,446	S	6/2005	Montena
5,803,757	A	9/1998	Wang	6,908,337	B1	6/2005	Li
5,820,408	A	10/1998	Wang	6,910,919	B1	6/2005	Hung
5,863,226	A	1/1999	Lan	D507,242	S	7/2005	Montena
5,879,166	A	3/1999	Wang	6,929,501	B2	8/2005	Huang
5,924,889	A	7/1999	Wang	6,929,507	B2	8/2005	Lin
5,934,137	A	8/1999	Tarpill	6,935,874	B1	8/2005	Fang
5,951,319	A	9/1999	Lin	6,935,878	B2	8/2005	Hsu
5,957,730	A	9/1999	Wang	6,948,969	B2	9/2005	Huang
5,964,623	A *	10/1999	Maher et al. .... 439/668	6,948,973	B1	9/2005	Hsu
5,975,949	A	11/1999	Holliday	6,951,469	B1	10/2005	Lin
5,980,308	A	11/1999	Hu	6,956,464	B2	10/2005	Wang
6,024,588	A	2/2000	Hsu	D511,497	S	11/2005	Murphy
6,065,976	A	5/2000	Wang	D511,498	S	11/2005	Holliday
6,095,869	A	8/2000	Wang	D512,024	S	11/2005	Murphy
6,113,431	A	9/2000	Wong	D512,689	S	12/2005	Murphy
6,139,344	A	10/2000	Wang	D513,406	S	1/2006	Rodrigues
6,146,197	A	11/2000	Holliday	D513,736	S	1/2006	Fox
6,153,830	A	11/2000	Montena	D514,071	S	1/2006	Vahey
6,159,046	A	12/2000	Wong	D515,037	S	2/2006	Fox
D436,076	S	1/2001	Montena	7,001,204	B1	2/2006	Lin
6,179,656	B1	1/2001	Wong	7,004,765	B2	2/2006	Hsu
D437,826	S	2/2001	Montena	7,004,777	B2	2/2006	Hsu
D440,539	S	4/2001	Montena	D517,018	S *	3/2006	Montena ..... D13/151
D440,939	S	4/2001	Montena	D517,496	S *	3/2006	Montena ..... D13/151
6,234,838	B1	5/2001	Wong	D518,772	S	4/2006	Fox
6,276,970	B1	8/2001	Wong	D519,076	S	4/2006	Fox
6,287,148	B1	9/2001	Huang	D519,451	S	4/2006	Fox
6,386,912	B1	5/2002	Li	D519,452	S	4/2006	Rodrigues
6,390,840	B1	5/2002	Wang	D519,453	S	4/2006	Rodrigues
D458,904	S	6/2002	Montena	D519,463	S	4/2006	Tamezane
D460,739	S	7/2002	Fox	7,021,965	B1	4/2006	Montena
D461,166	S	8/2002	Montena	D521,454	S	5/2006	Murphy
D461,167	S	8/2002	Montena	D521,930	S	5/2006	Fox
D461,778	S	8/2002	Fox	7,063,551	B1	6/2006	Lin
D462,058	S	8/2002	Montena	D535,259	S	1/2007	Rodrigues
D462,060	S	8/2002	Fox	7,192,308	B2	3/2007	Rodrigues
D462,327	S	9/2002	Montena	D543,948	S	6/2007	Montena
6,478,599	B1	11/2002	Lee	D544,837	S	6/2007	Disbennett
6,478,618	B2	11/2002	Wong	7,241,172	B2	7/2007	Rodrigues
D468,696	S	1/2003	Montena	D553,081	S *	10/2007	Victor ..... D13/133
6,530,807	B2	3/2003	Rodrigues	7,354,307	B2 *	4/2008	Chee et al. .... 439/584
6,558,194	B2	5/2003	Montena	D588,991	S *	3/2009	Holliday ..... D13/151
D475,975	S	6/2003	Fox	2002/0013088	A1 *	1/2002	Rodrigues et al. .... 439/578
D475,976	S	6/2003	Montena	2002/0146935	A1	10/2002	Wong
D475,977	S	6/2003	Montena	2003/0092319	A1	5/2003	Hung
6,676,443	B1	1/2004	Wang	2003/0194902	A1	10/2003	Huang
6,716,062	B1	4/2004	Palinkas	2003/0236027	A1	12/2003	Wang
6,733,336	B1	5/2004	Montena	2004/0053533	A1	3/2004	Huang
6,767,247	B2	7/2004	Rodrigues	2004/0067688	A1	4/2004	Cheng
				2004/0102095	A1	5/2004	Huang
				2004/0110416	A1 *	6/2004	Montena et al. .... 439/578

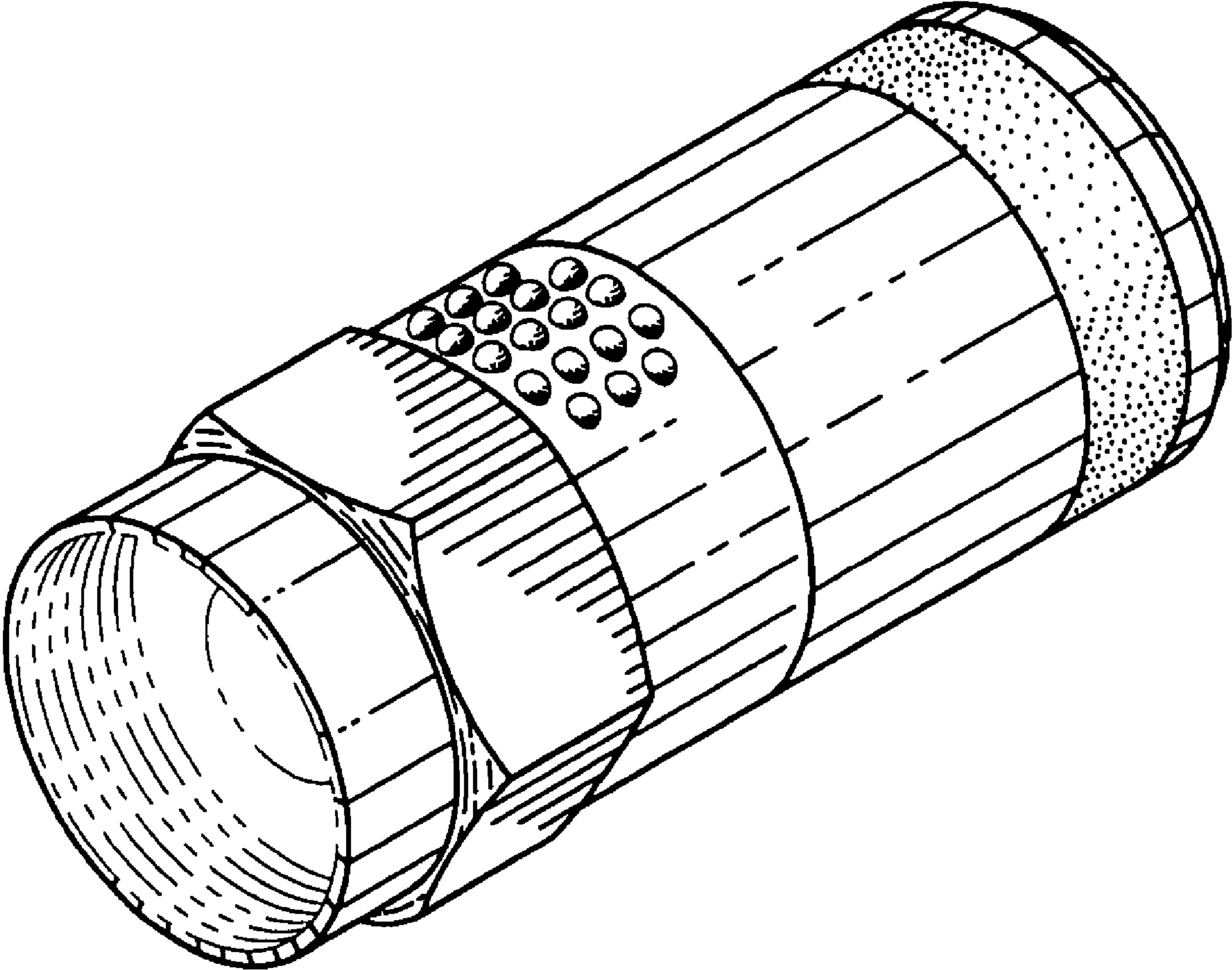
# US D607,829 S

Page 3

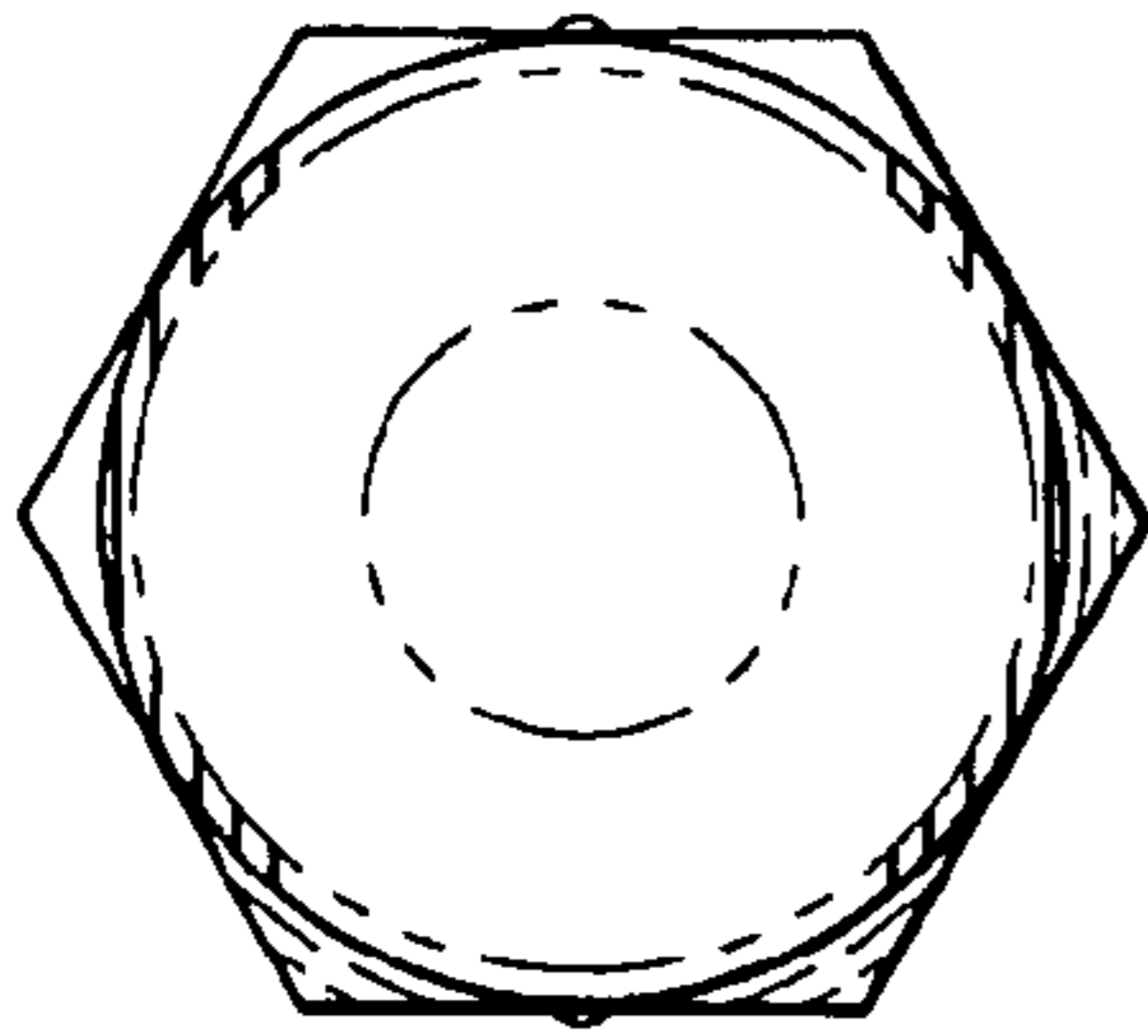
---

2004/0147164	A1	7/2004	Li	2005/0186853	A1	8/2005	Hsu
2004/0171297	A1	9/2004	Hsu	2005/0202690	A1	9/2005	Lien
2004/0171315	A1	9/2004	Liao	2005/0202699	A1	9/2005	Hsu
2004/0224556	A1	11/2004	Qin	2005/0233632	A1	10/2005	Hsu
2005/0009379	A1	1/2005	Huang	2005/0250357	A1	11/2005	Chen
2005/0020121	A1	1/2005	Lin	2005/0260894	A1	11/2005	Chen
2005/0032410	A1	2/2005	Huang	2006/0094300	A1	5/2006	Hsu
2005/0070145	A1	3/2005	Huang	2006/0121753	A1	6/2006	Chiang
2005/0075012	A1	4/2005	Hsu	2006/0121763	A1	6/2006	Chiang
2005/0136735	A1 *	6/2005	Rodrigues et al. .... 439/578	2006/0123625	A1 *	6/2006	Montena ..... 29/828
2005/0153587	A1	7/2005	Hsu	2007/0042642	A1 *	2/2007	Montena et al. .... 439/578
2005/0159030	A1	7/2005	Hsu				
2005/0186852	A1	8/2005	Hsu				

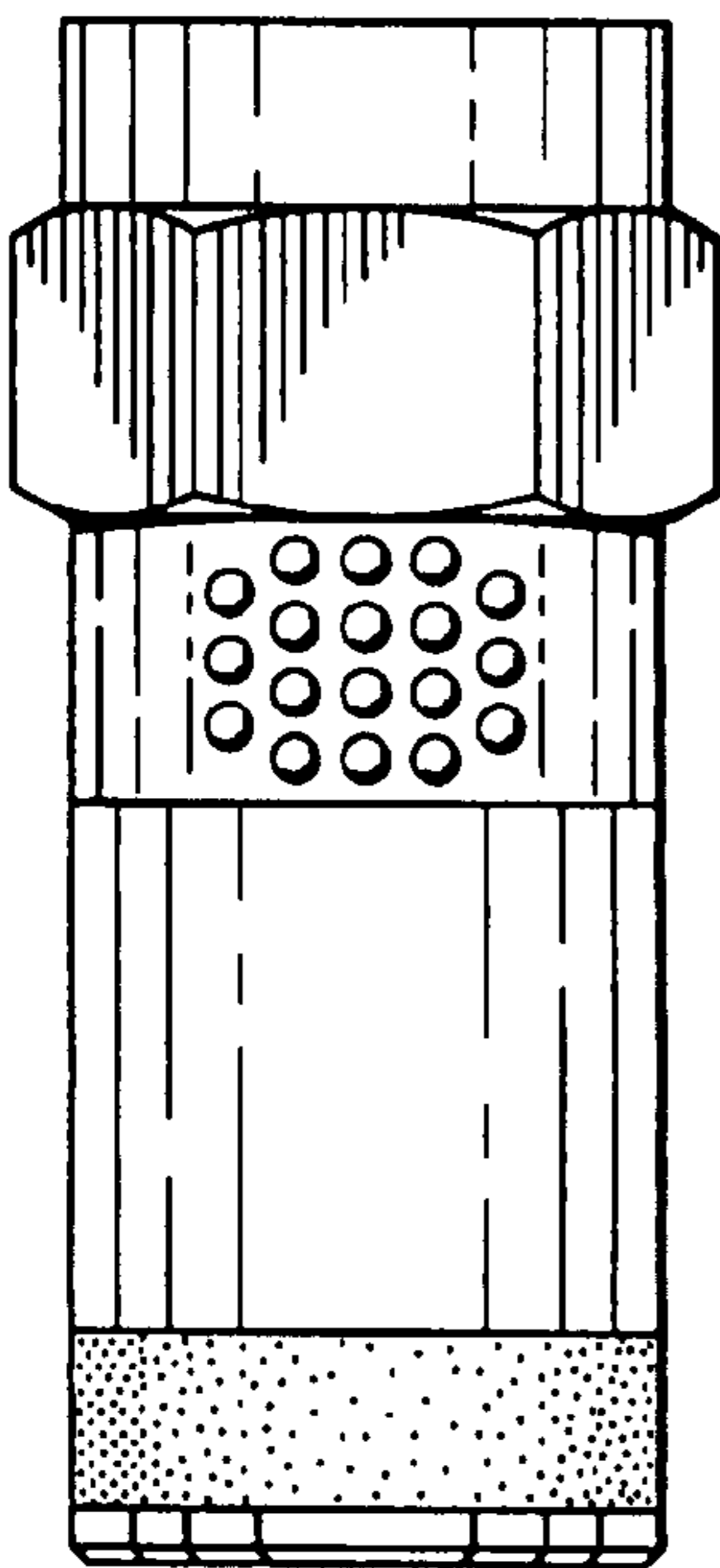
\* cited by examiner



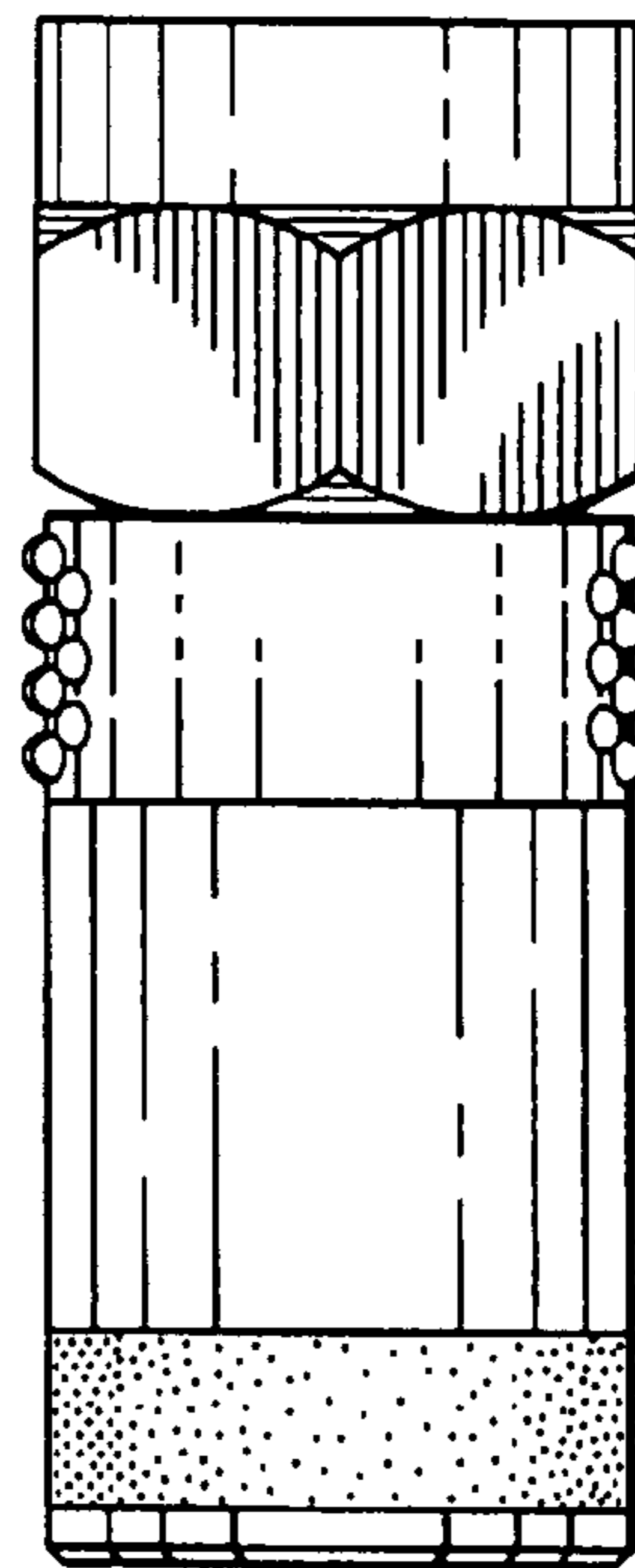
**Fig. 1**



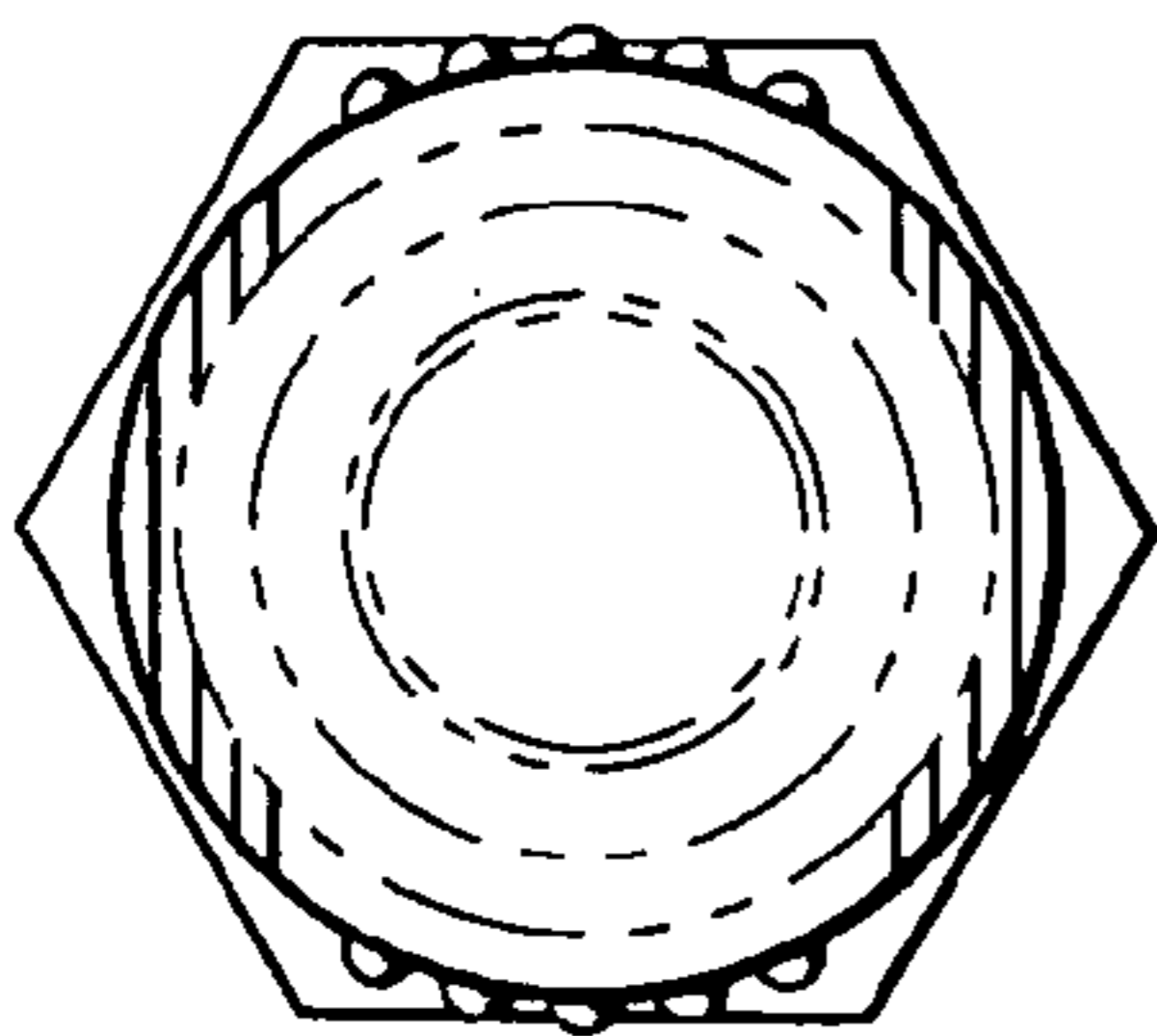
**Fig. 4**



**Fig. 2**



**Fig. 3**



**Fig. 5**