



US00D607825S

(12) **United States Design Patent**
Hirakawa

(10) **Patent No.:** **US D607,825 S**
(45) **Date of Patent:** **** Jan. 12, 2010**

(54) **ELECTRICAL CONNECTOR**

(75) Inventor: **Takeshi Hirakawa**, Tokyo (JP)

(73) Assignee: **I-PEX Co., Ltd.** (JP)

(**) Term: **14 Years**

(21) Appl. No.: **29/323,650**

(22) Filed: **Aug. 28, 2008**

(30) **Foreign Application Priority Data**

Jul. 30, 2008 (JP) 2008-19576

(51) **LOC (9) Cl.** **13-03**

(52) **U.S. Cl.** **D13/147**

(58) **Field of Classification Search** D13/133,
D13/146-147, 153, 154, 184; 439/260, 329,
439/395, 422, 492-499

See application file for complete search history.

(56) **References Cited**

U.S. PATENT DOCUMENTS

D444,130 S * 6/2001 Hayashi et al. D13/147
D456,779 S * 5/2002 Igarashi D13/147
D489,335 S * 5/2004 Ko D13/147
D524,750 S * 7/2006 Hisamatsu D13/147
D541,750 S * 5/2007 Yoshikai D13/147
D552,553 S * 10/2007 Lin et al. D13/147

FOREIGN PATENT DOCUMENTS

JP D1312441 9/2007

* cited by examiner

Primary Examiner—Daniel D Bui

(74) *Attorney, Agent, or Firm*—Studebaker & Brackett PC;
Donald R. Studebaker

(57) **CLAIM**

The ornamental design for an electrical connector, as shown and described.

DESCRIPTION

FIG. 1 is a top plan view of an electrical connector showing my new design;

FIG. 2 is a bottom plan view thereof;

FIG. 3 is a front elevation view thereof;

FIG. 4 is a rear elevation view thereof;

FIG. 5 is a right side view thereof, the left side view thereof is a mirror image thereto;

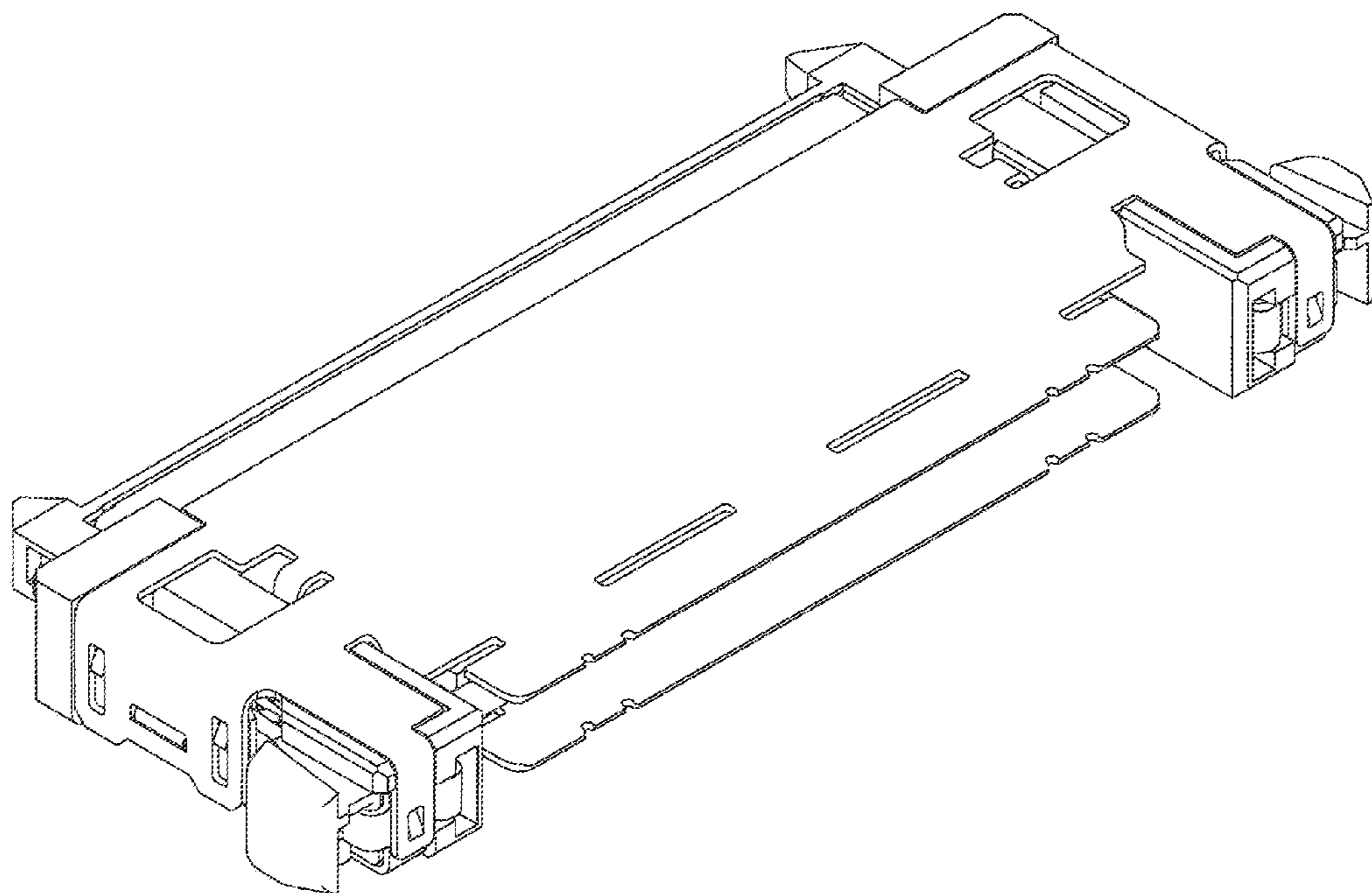
FIG. 6 is a front, top and left side perspective view thereof;

FIG. 7 is a front, bottom and left side perspective view thereof; and,

FIG. 8 is a rear, bottom and right side perspective view thereof, in use condition.

The broken line portion in the figure drawing views is included to show unclaimed environmental structure only and forms no part of the claimed design.

1 Claim, 6 Drawing Sheets



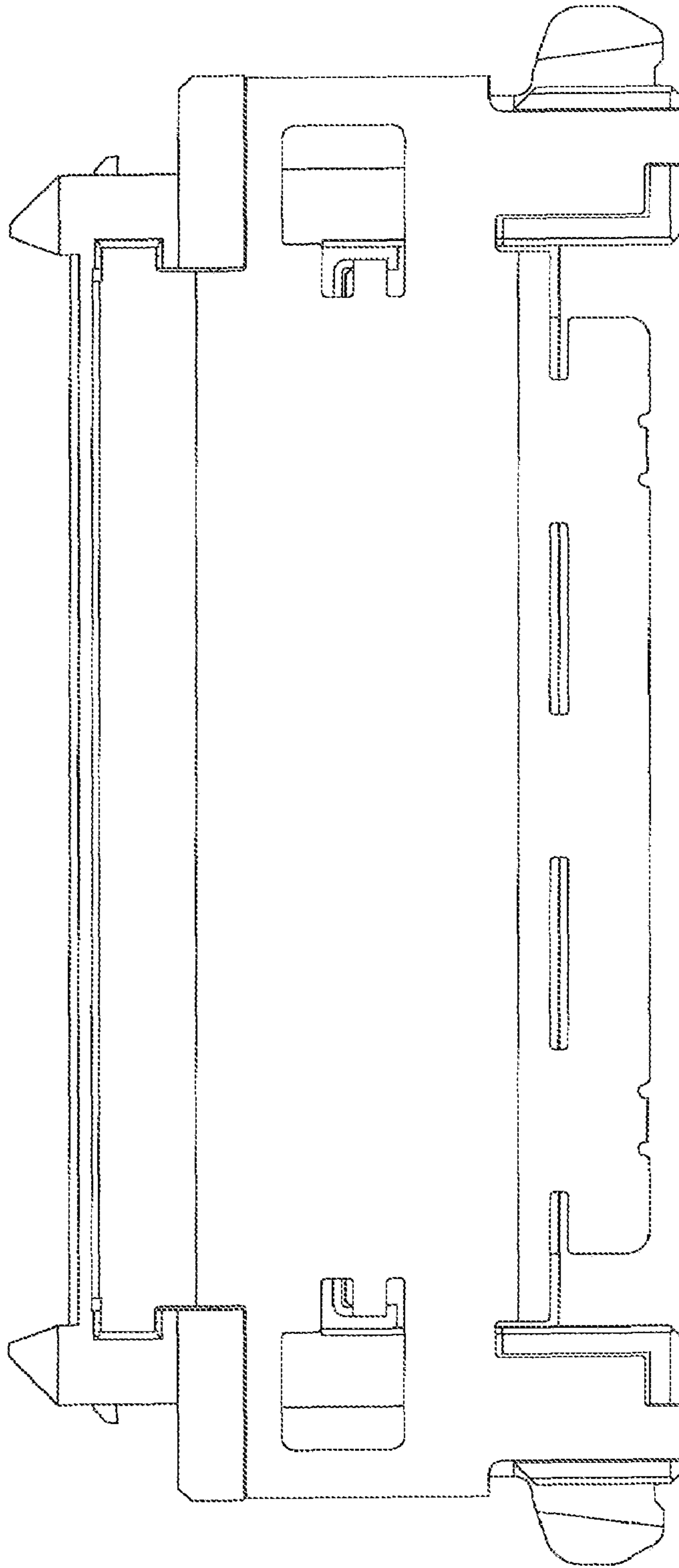


FIG. 1

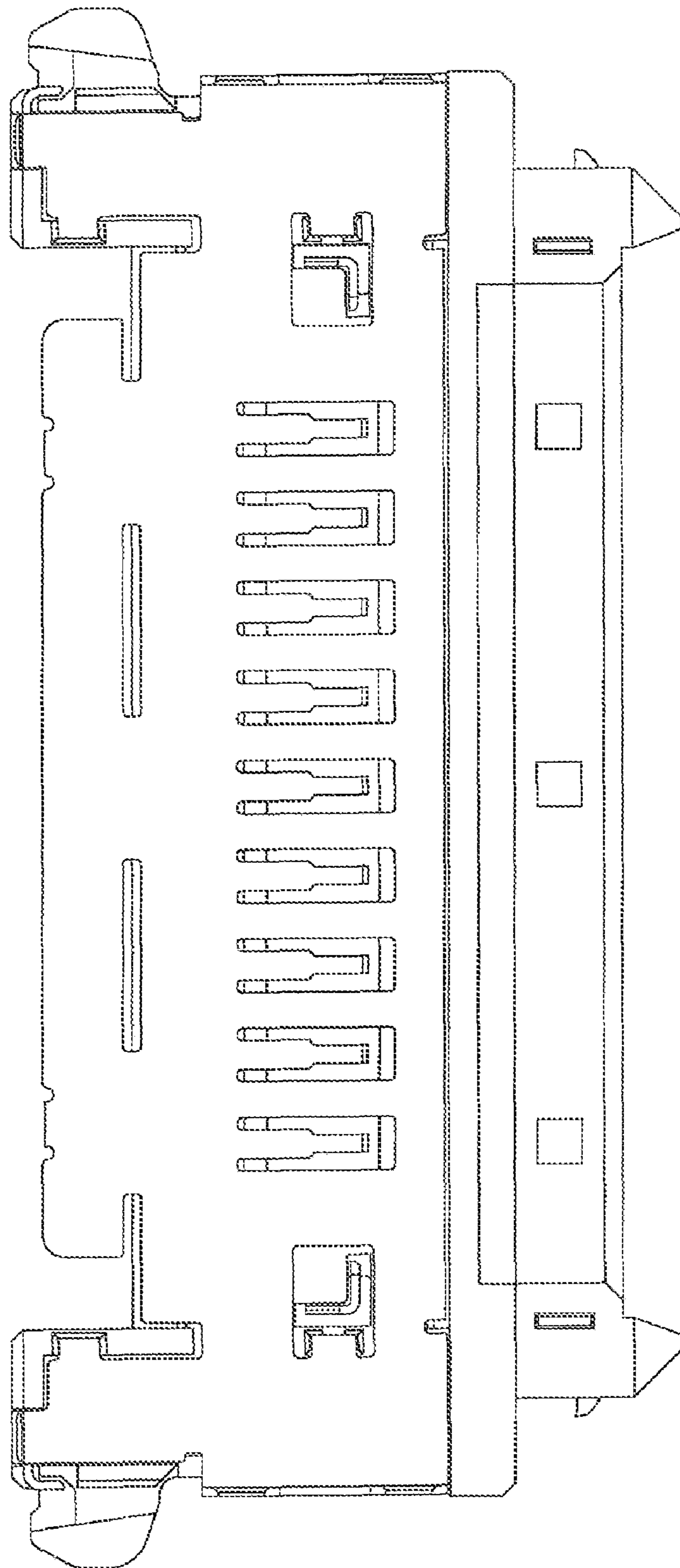


FIG. 2

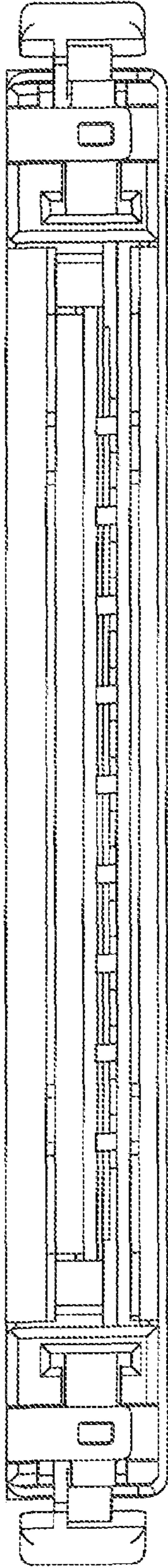


FIG. 3

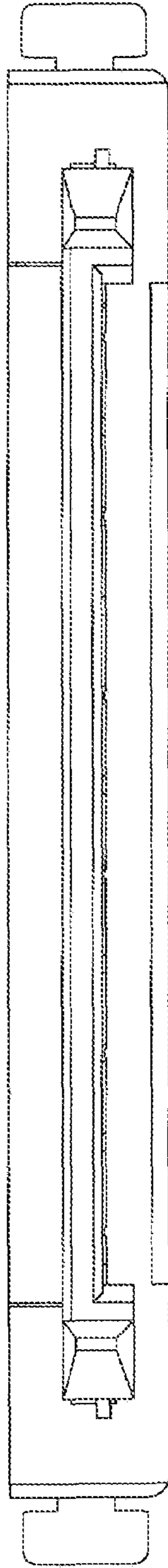


FIG. 4

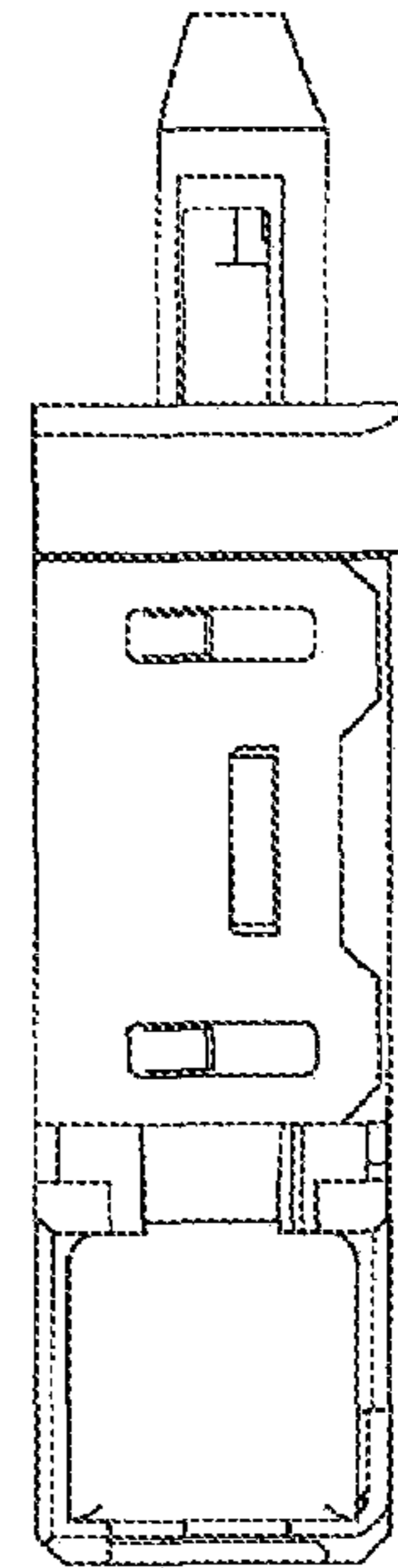


FIG. 5

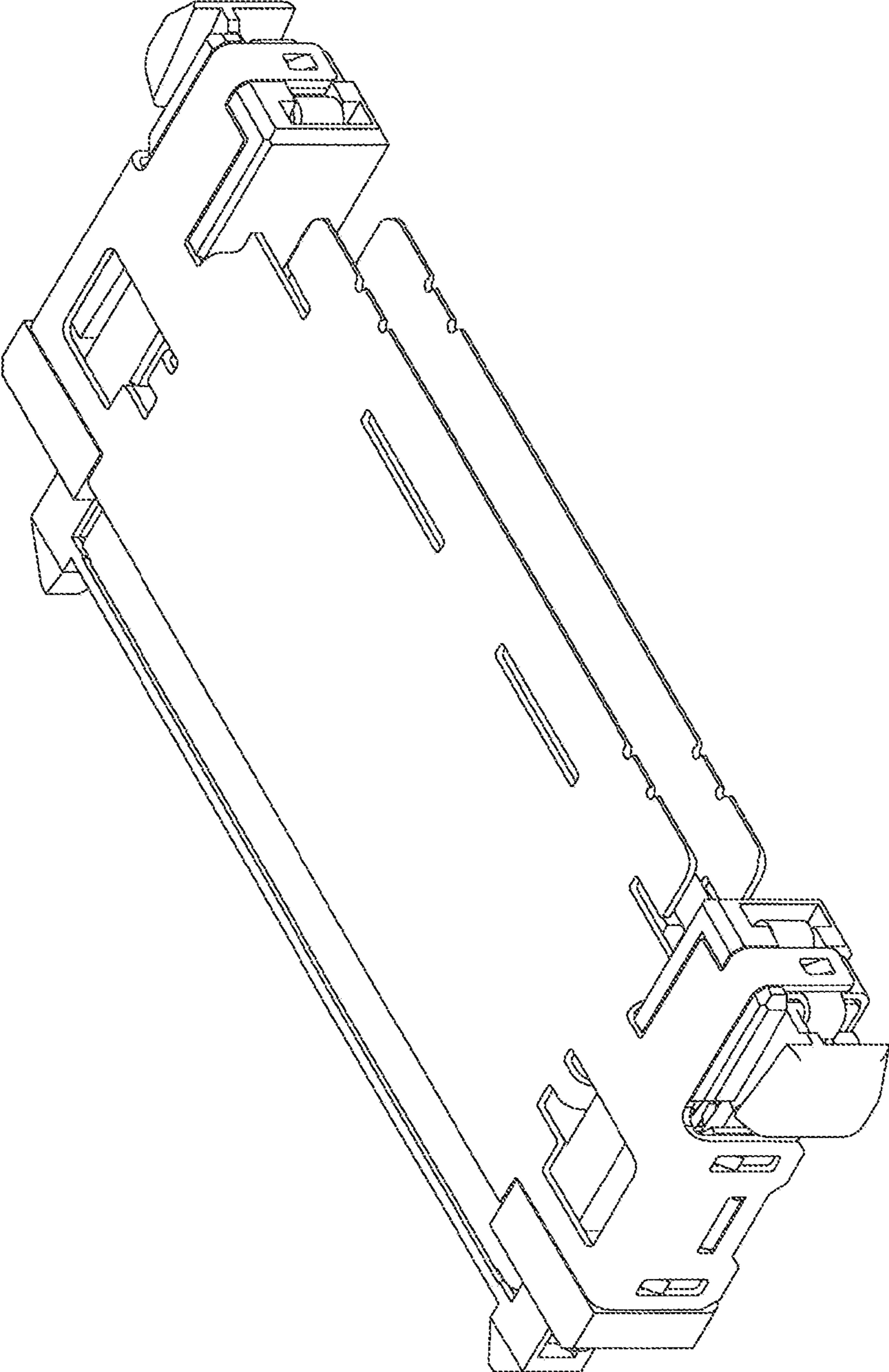


FIG. 6

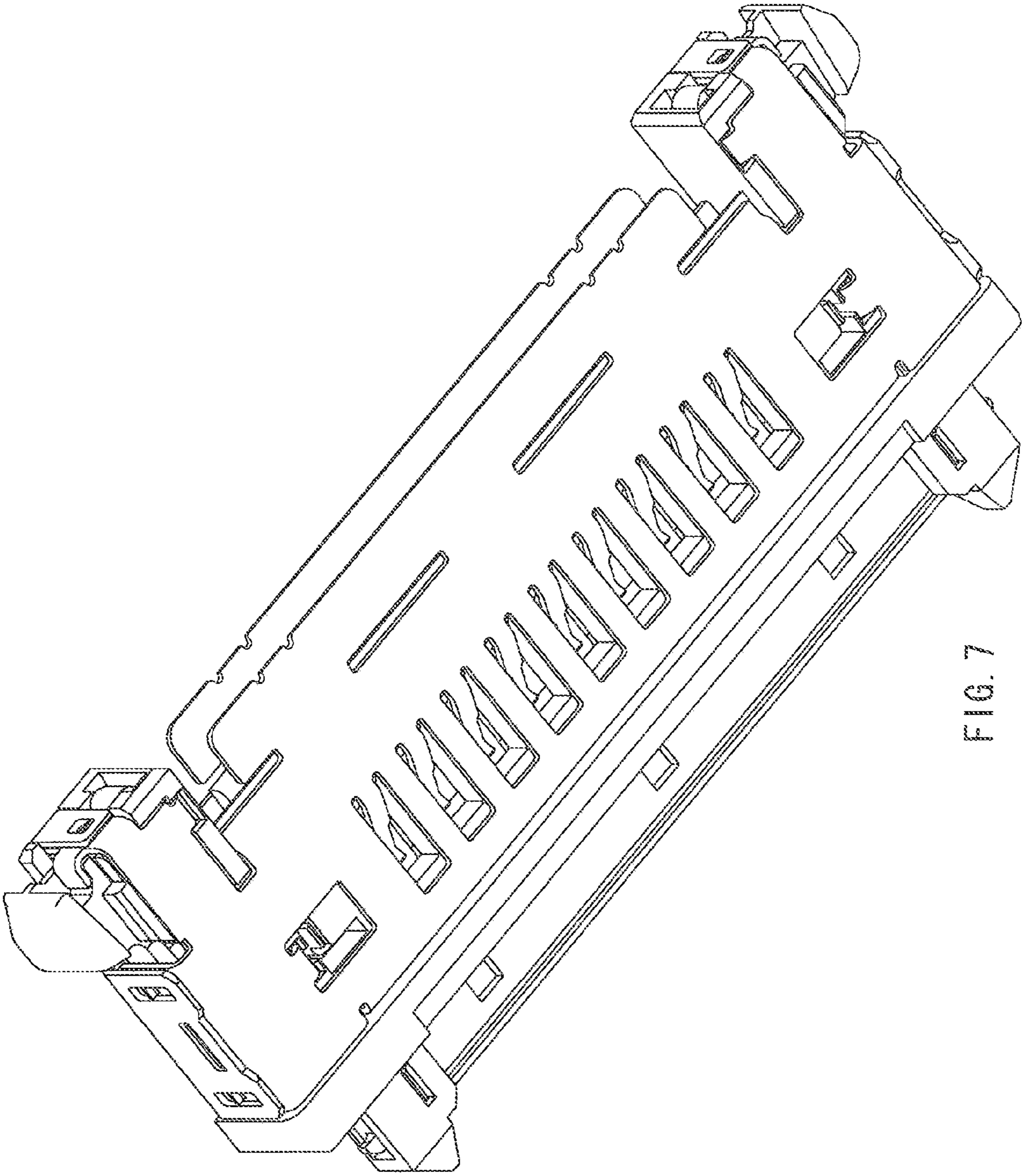


FIG. 7

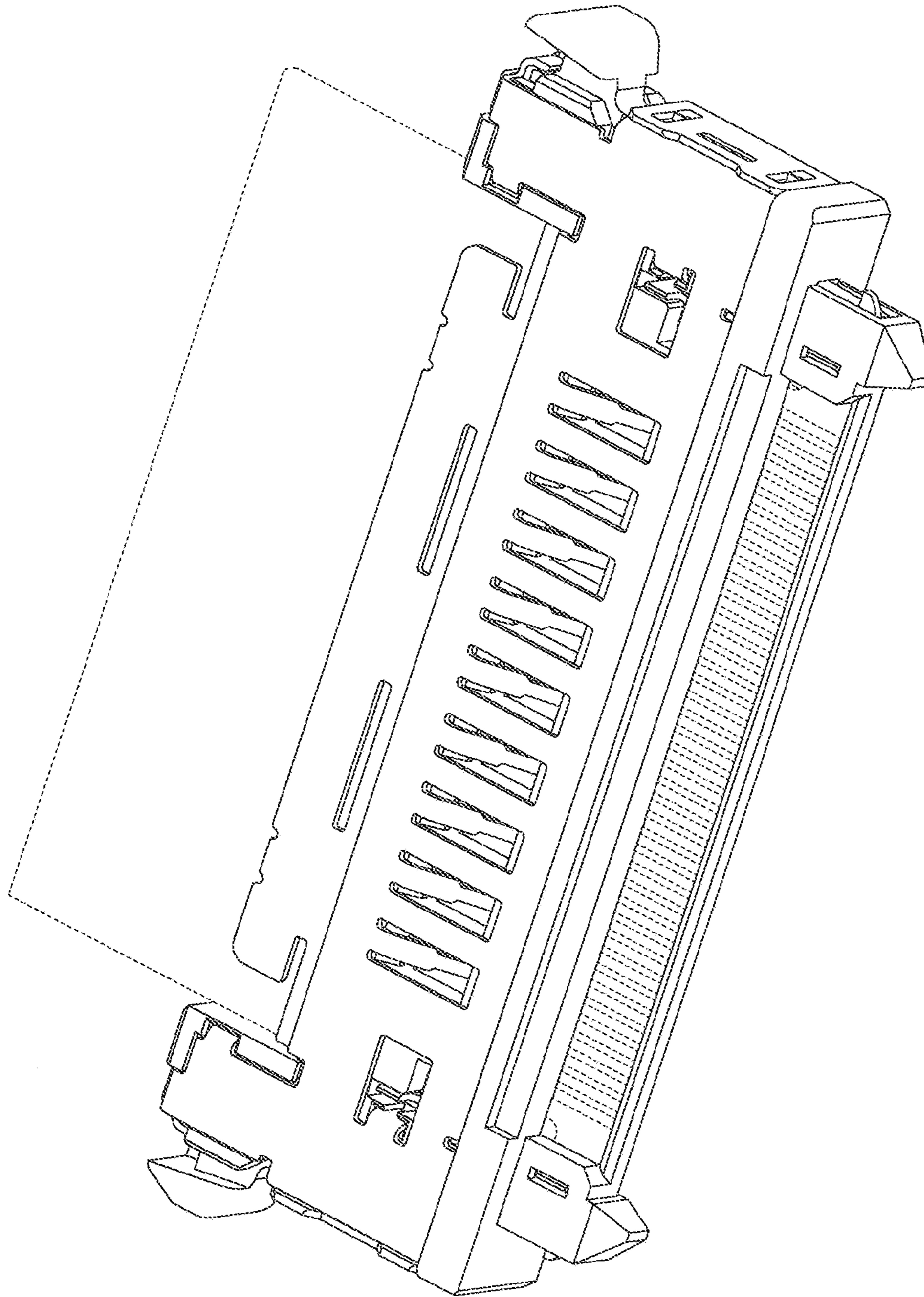


FIG. 8