



US00D607824S

(12) **United States Design Patent**
Takahashi et al.

(10) **Patent No.:** **US D607,824 S**
(45) **Date of Patent:** **** Jan. 12, 2010**

(54) **ELECTRIC CONNECTOR**

(75) Inventors: **Hirokazu Takahashi**, Tochigi (JP);
Kazuhiro Sato, Santa Clara, CA (US);
Hiromichi Kato, Morrisville, NC (US);
Jinichi Mashiyama, Tochigi (JP);
Kazunori Takei, Tochigi (JP); **Yasuyuki**
Ohashi, Tochigi (JP)

(73) Assignee: **DDK Ltd.**, Tokyo (JP)

(**) Term: **14 Years**

(21) Appl. No.: **29/315,061**

(22) Filed: **May 21, 2009**

(30) **Foreign Application Priority Data**

Nov. 21, 2008 (JP) D2008-029949

(51) **LOC (9) Cl.** **13-03**

(52) **U.S. Cl.** **D13/147**

(58) **Field of Classification Search** D13/133,
D13/146-147, 154, 184; 439/74, 78-79,
439/83, 108, 181, 607-610, 637-638, 660
See application file for complete search history.

(56) **References Cited**

U.S. PATENT DOCUMENTS

D539,226 S * 3/2007 Yamada et al. D13/147
D539,227 S * 3/2007 Yamada et al. D13/147

D562,770 S * 2/2008 Obikane D13/147
D576,103 S * 9/2008 Kojima et al. D13/147
D578,481 S * 10/2008 Lee et al. D13/147

* cited by examiner

Primary Examiner—Daniel D Bui
(74) *Attorney, Agent, or Firm*—Sughrue Mion, PLLC

(57) **CLAIM**

The ornamental design for an electric connector, as shown and described.

DESCRIPTION

FIG. 1 is a top perspective view of an electric connector, showing our new design;

FIG. 2 is a bottom perspective view thereof;

FIG. 3 is a top view thereof;

FIG. 4 is a bottom view thereof;

FIG. 5 is a left side view thereof; and,

FIG. 6 is a front plan view thereof.

The broken lines showing on the drawing disclosure are for illustrative purposes only and form no part of the claimed design. The lines consisting of long lines and dots indicate conceptual border lines between the claimed portions and the disclaimed portions.

1 Claim, 3 Drawing Sheets

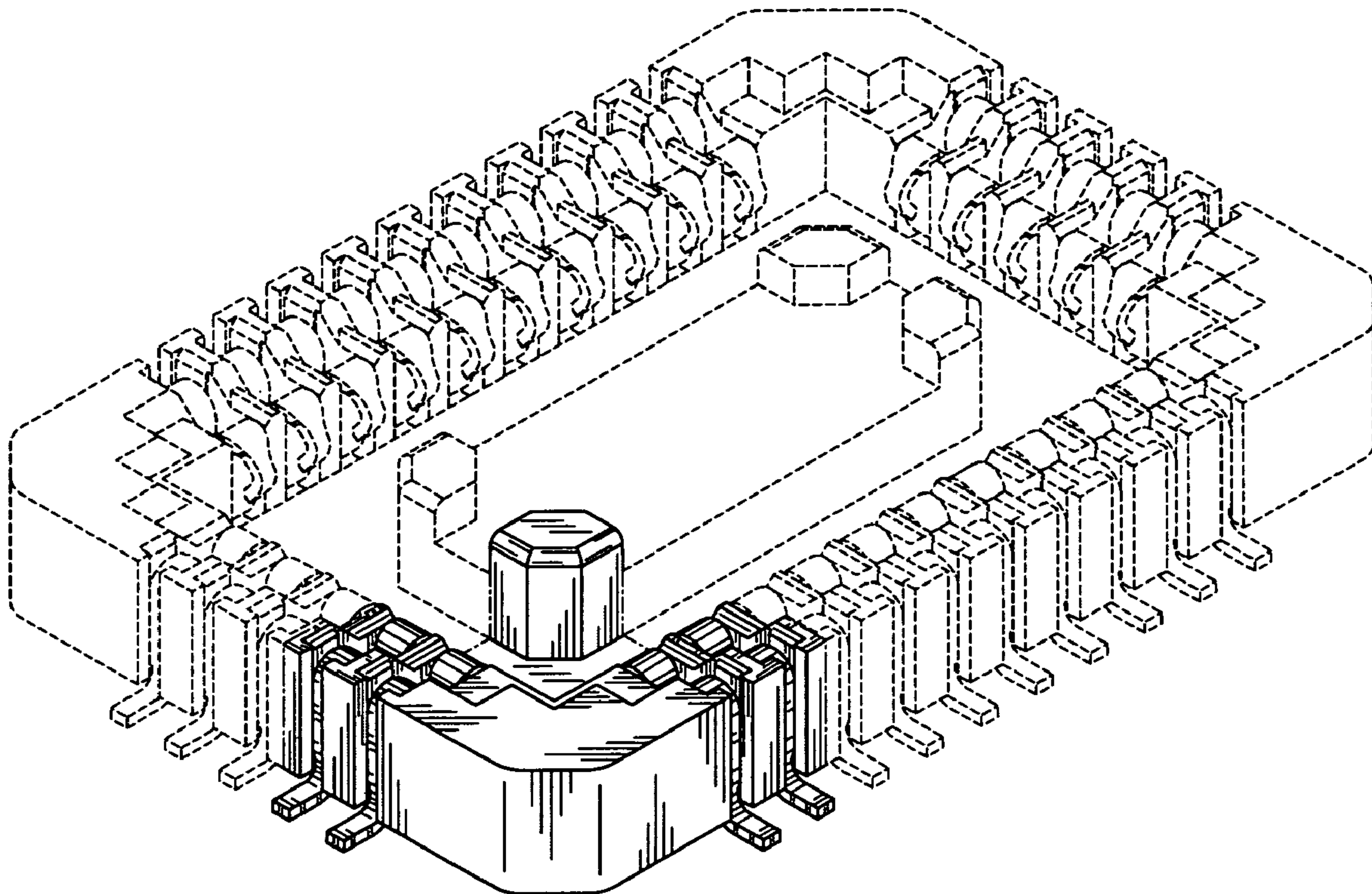


Fig.1

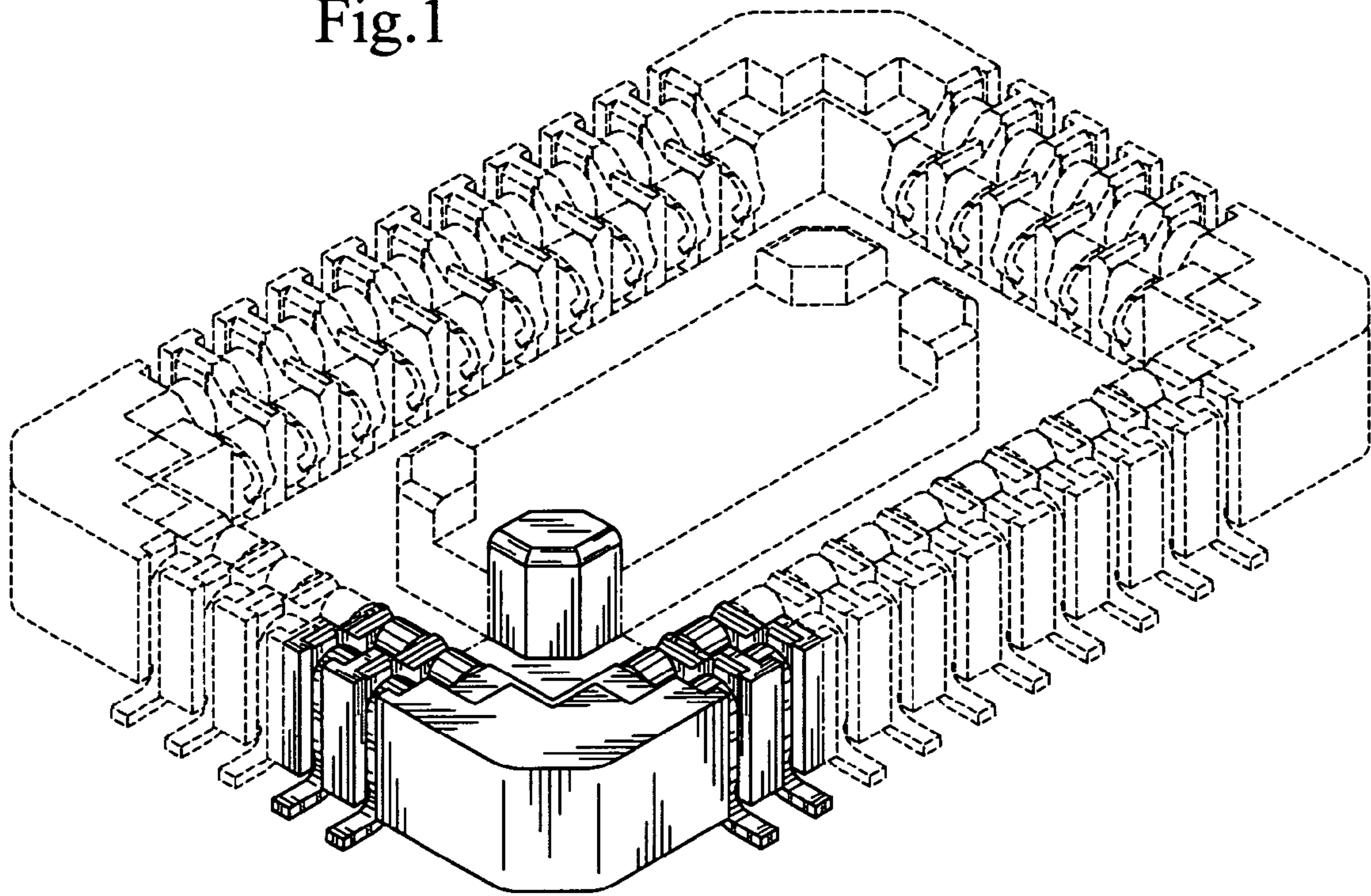


Fig.2

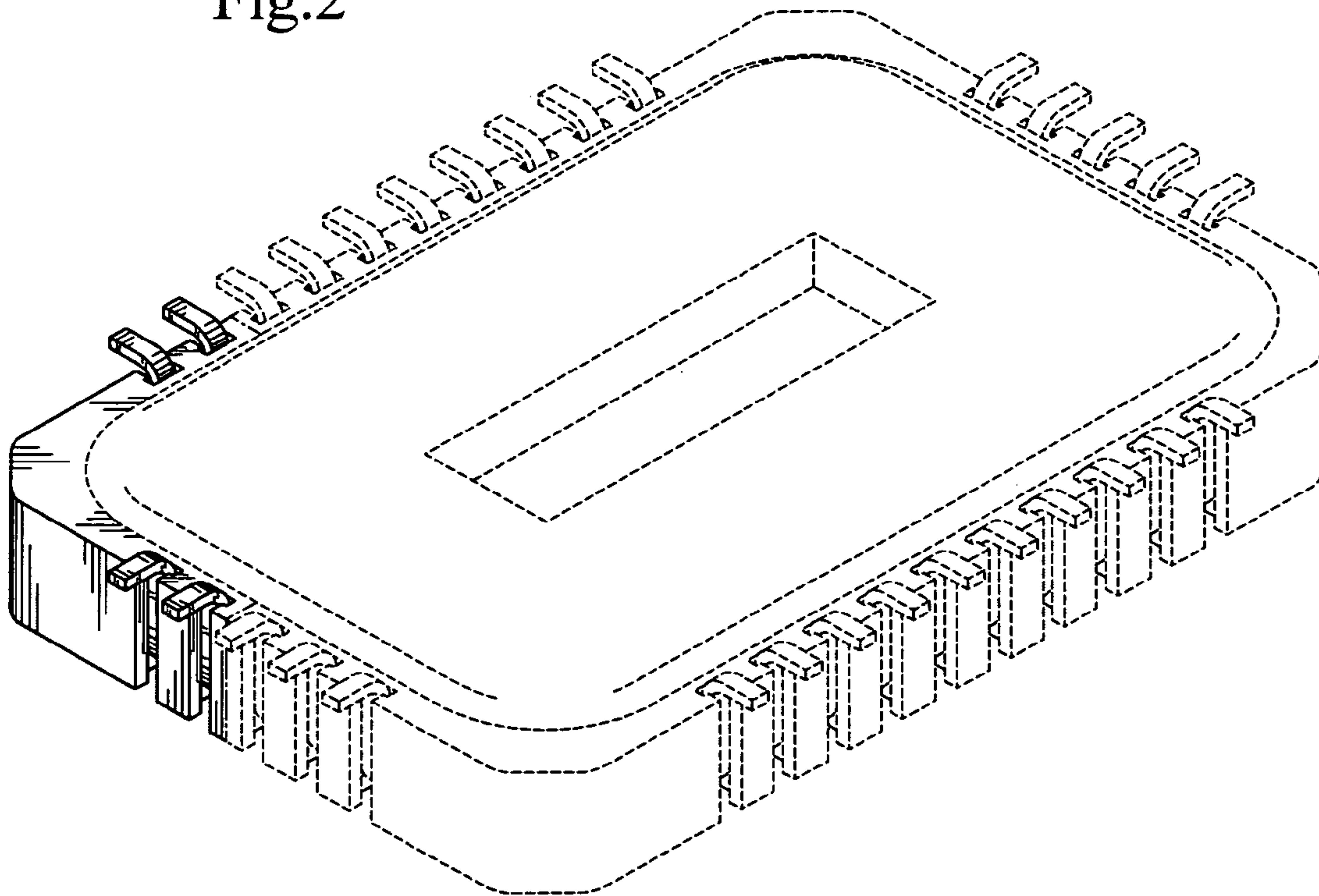


Fig.3

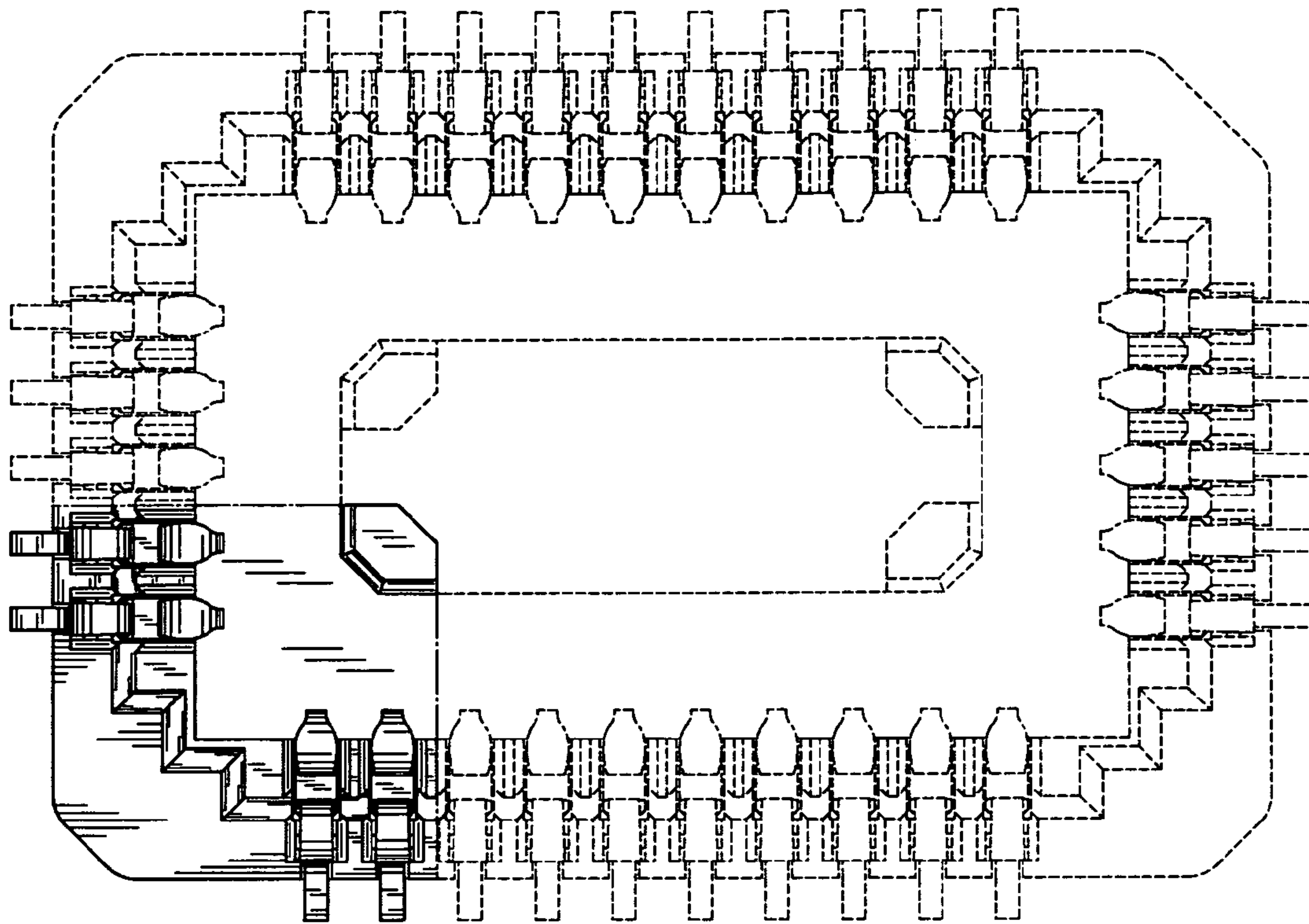


Fig.4

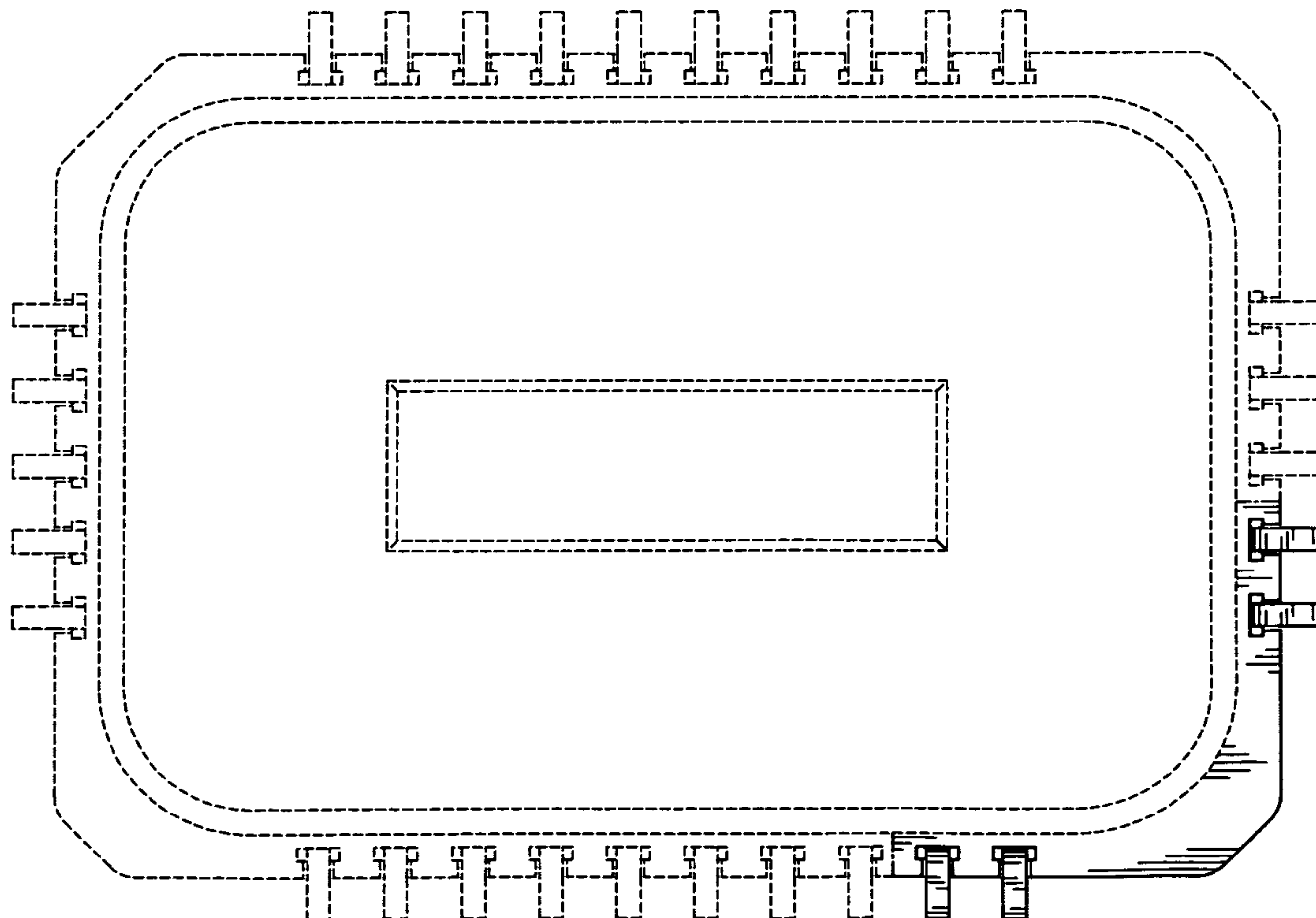


Fig.5

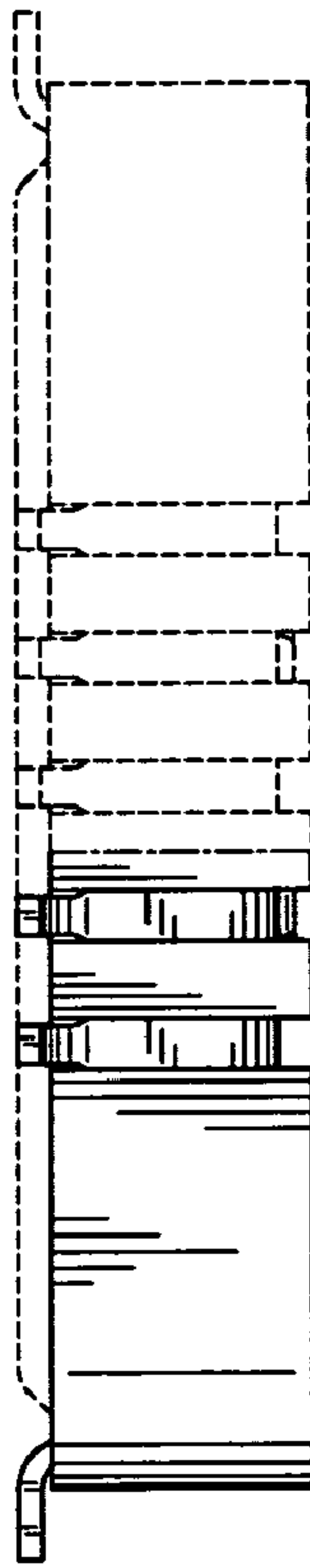


Fig.6

