



US00D607823S

(12) **United States Design Patent**
Koyama et al.

(10) **Patent No.:** **US D607,823 S**
(45) **Date of Patent:** **** Jan. 12, 2010**

(54) **ELECTRICAL CONNECTOR**

(75) Inventors: **Ryozo Koyama**, Tokyo (JP); **Akihiro Kodama**, Tokyo (JP); **Tadashi Sakaizawa**, Tokyo (JP)

(73) Assignee: **Hirose Electric Co., Ltd.**, Tokyo (JP)

(**) Term: **14 Years**

(21) Appl. No.: **29/309,832**

(22) Filed: **Oct. 23, 2008**

(30) **Foreign Application Priority Data**

Apr. 24, 2008 (JP) 2008-010545

(51) **LOC (9) Cl.** **13-03**

(52) **U.S. Cl.** **D13/147**

(58) **Field of Classification Search** D13/147,
D13/154, 184; 439/79, 108, 378, 497, 567,
439/607-610, 668, 680

See application file for complete search history.

(56) **References Cited**

U.S. PATENT DOCUMENTS

D465,202 S 11/2002 Kubota
D488,446 S 4/2004 Sato
D582,347 S * 12/2008 Fujimoto et al. D13/147
D584,691 S * 1/2009 Koyama et al. D13/147
D587,207 S * 2/2009 Fujimoto et al. D13/147
2008/0242142 A1 * 10/2008 Takeuchi et al. 439/483

FOREIGN PATENT DOCUMENTS

TW D119229 10/1995

* cited by examiner

Primary Examiner—Daniel D Bui

(74) *Attorney, Agent, or Firm*—Kubotera & Associates, LLC

(57) **CLAIM**

The ornamental design for an electrical connector, as shown and described.

DESCRIPTION

FIG. 1 is a perspective view of an electrical connector showing our new design;

FIG. 2 is a perspective view thereof viewed from a rear side thereof;

FIG. 3 is a perspective view thereof viewed from a bottom side thereof;

FIG. 4 is a front view thereof;

FIG. 5 is a rear view thereof;

FIG. 6 is a right side view thereof;

FIG. 7 is a left side view thereof;

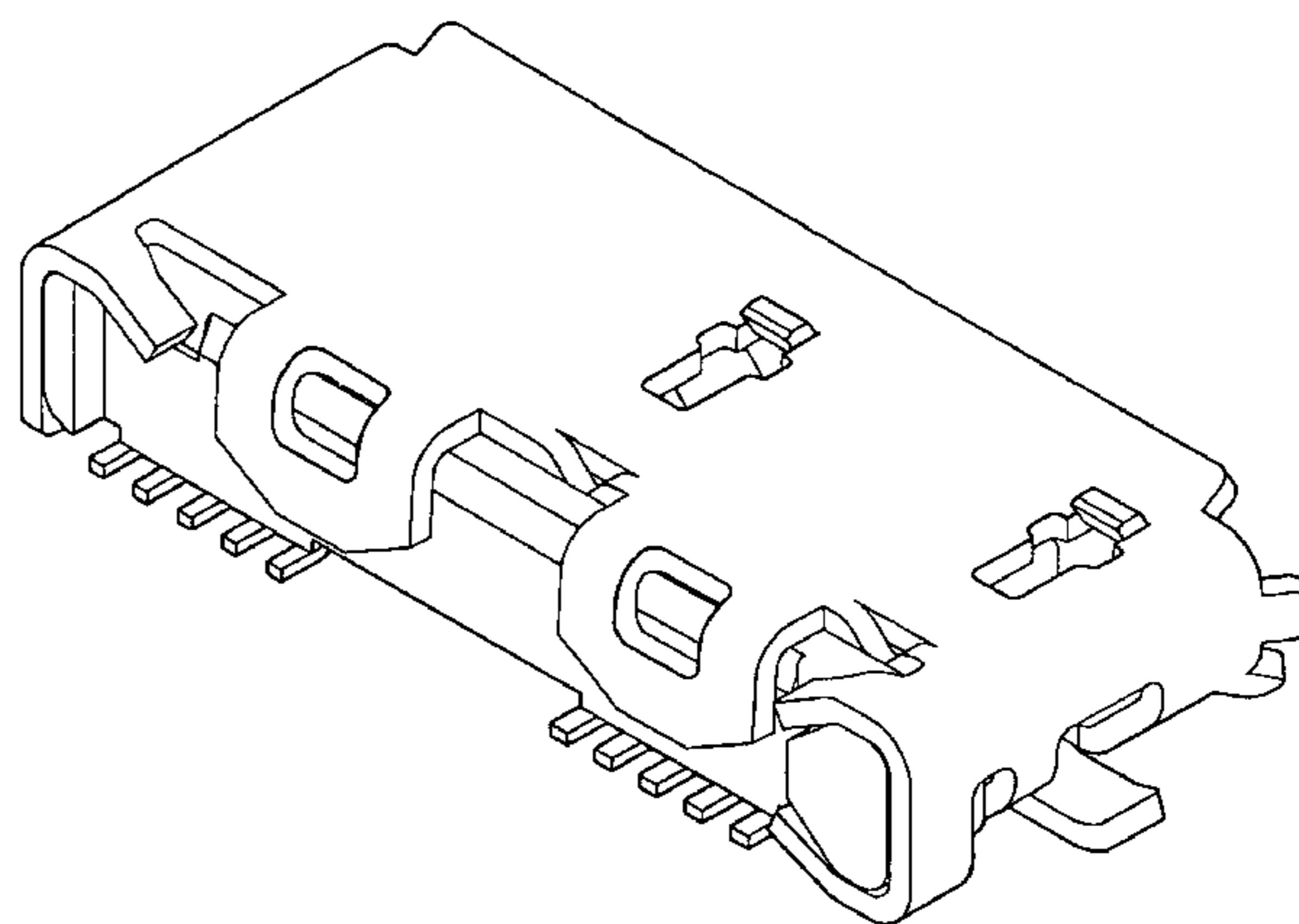
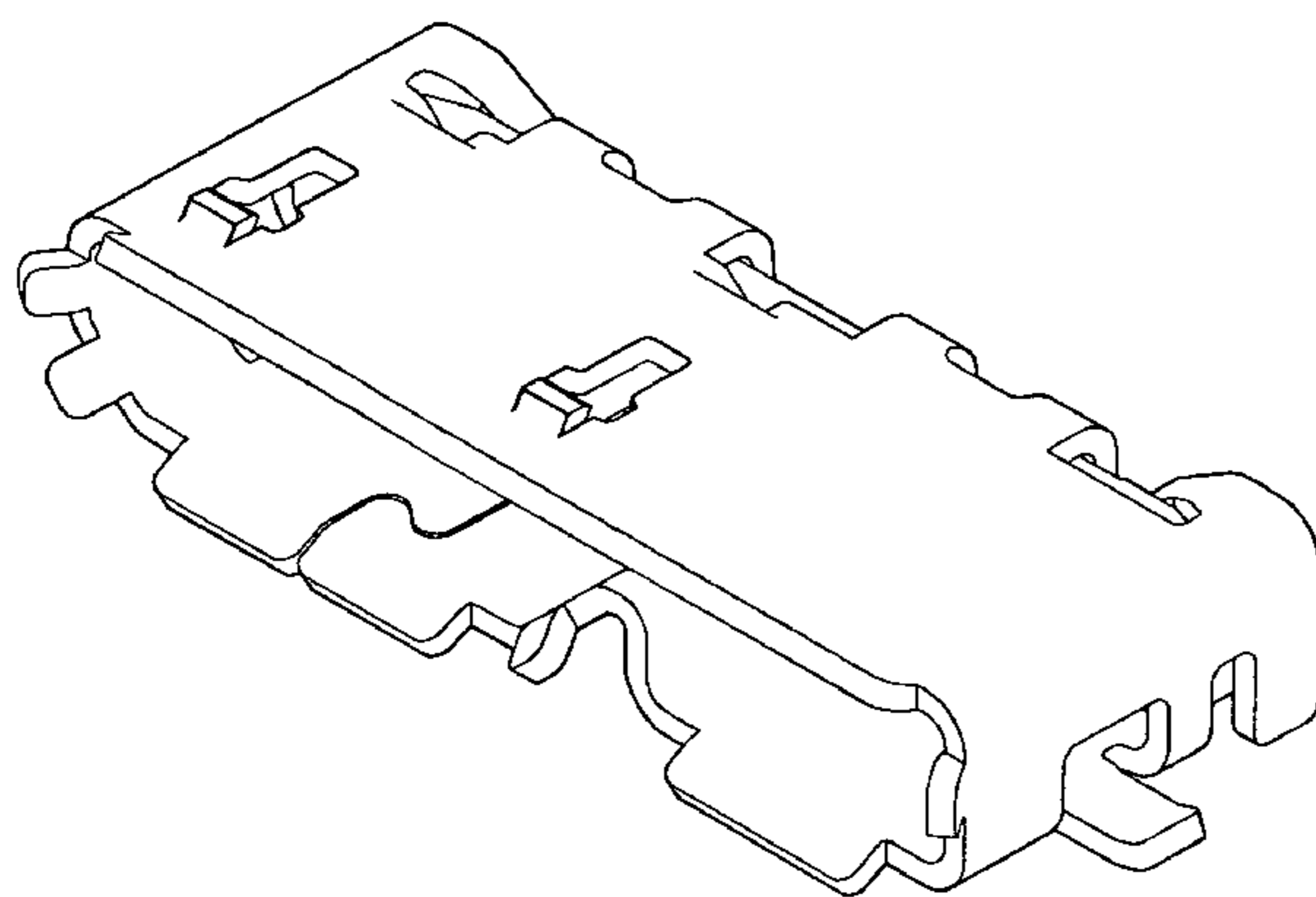
FIG. 8 is a plan view thereof;

FIG. 9 is a bottom view thereof;

FIG. 10 is a sectional view thereof taken along a line 10—10 in FIG. 4; and,

FIG. 11 is a sectional view thereof taken along a line 11—11 in FIG. 4.

1 Claim, 7 Drawing Sheets



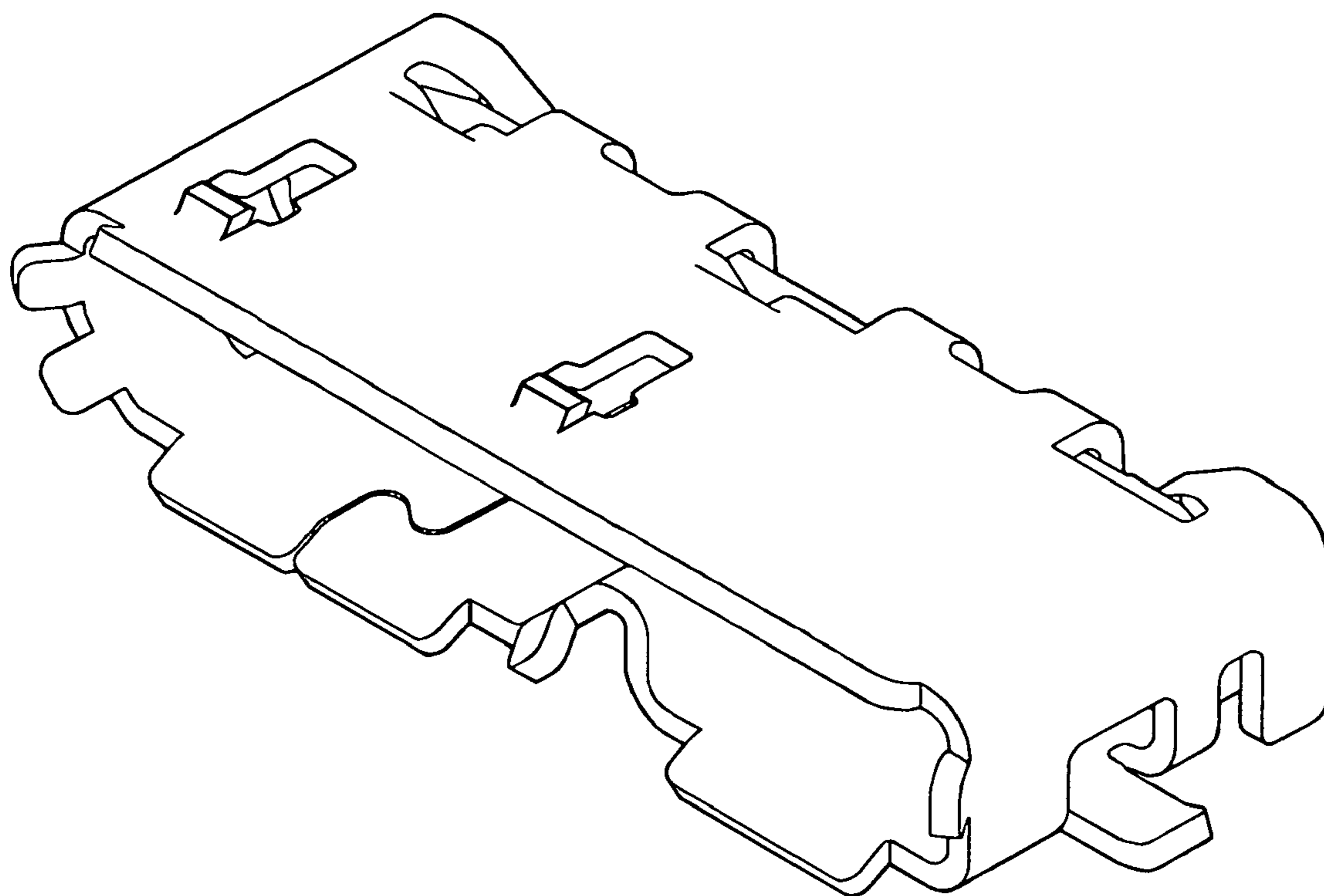


FIG. 1

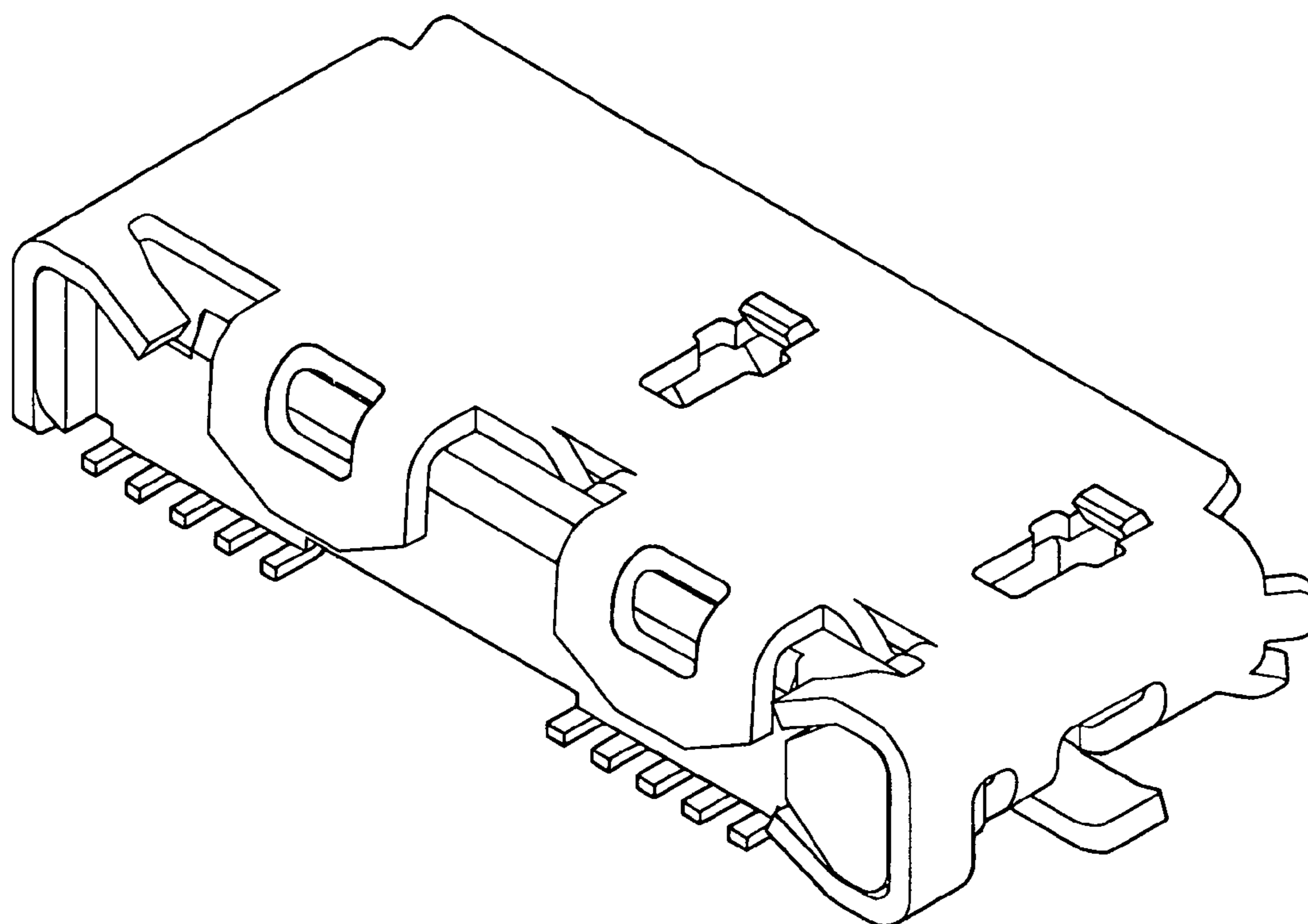


FIG. 2

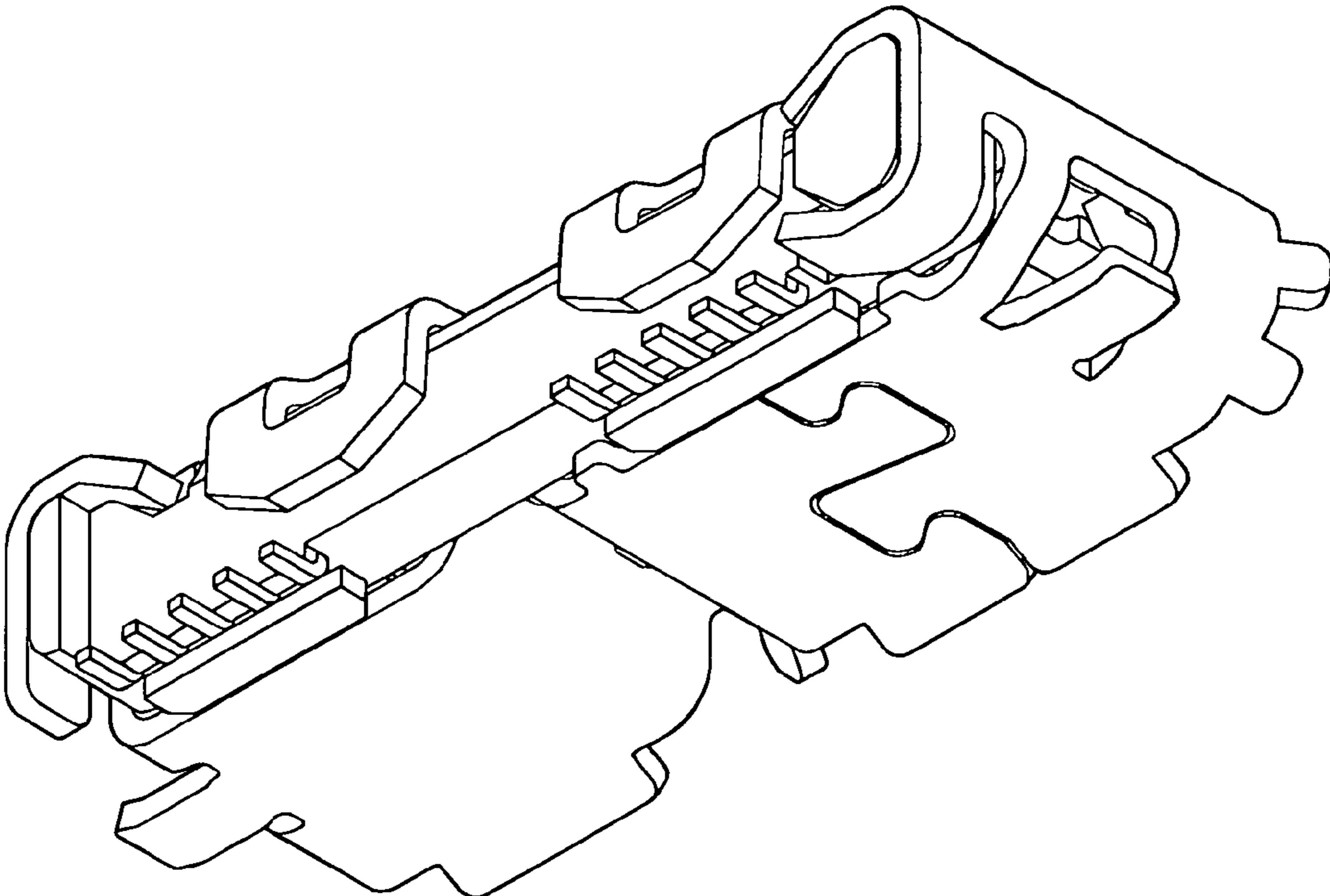


FIG. 3

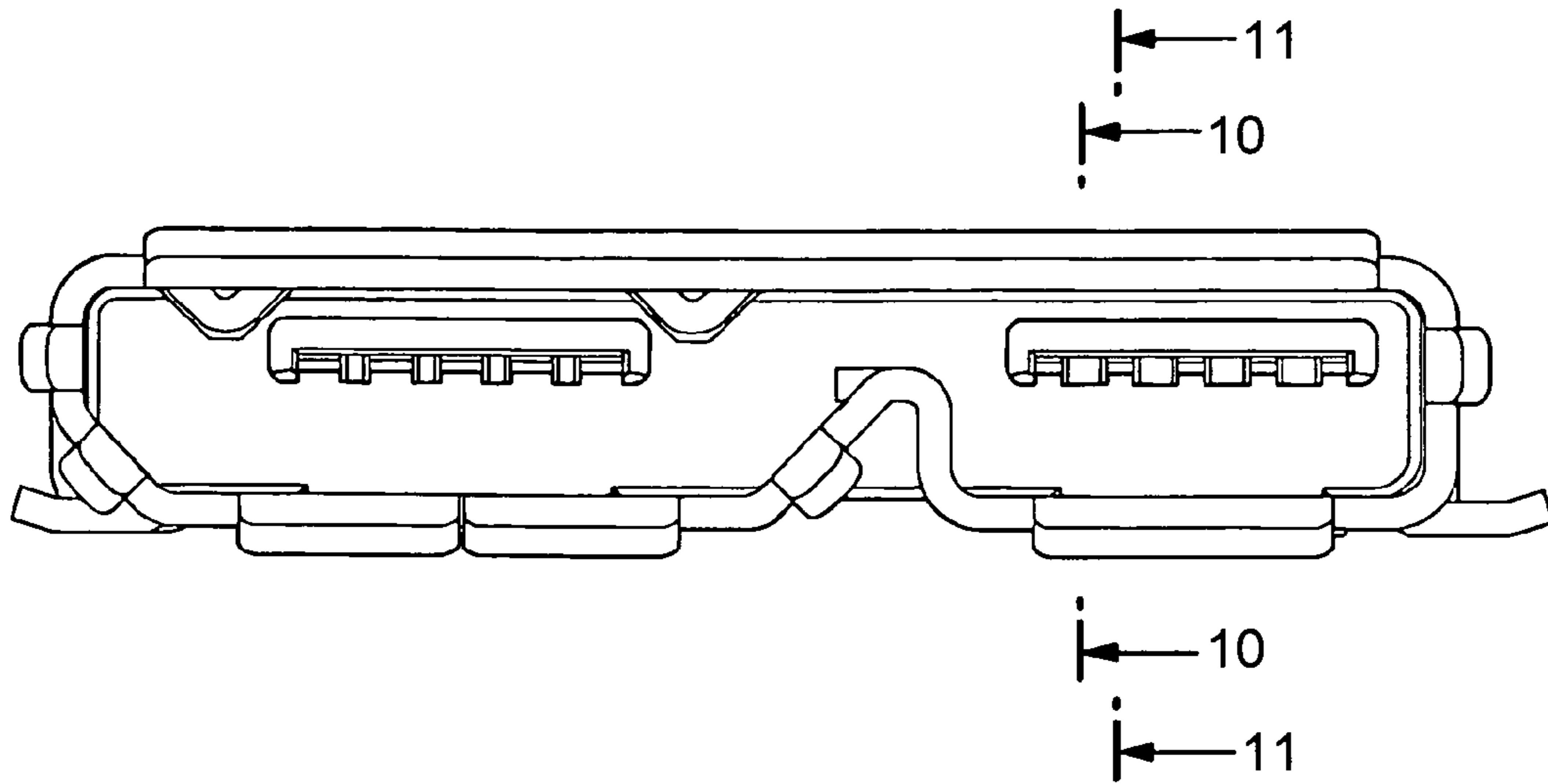


FIG. 4

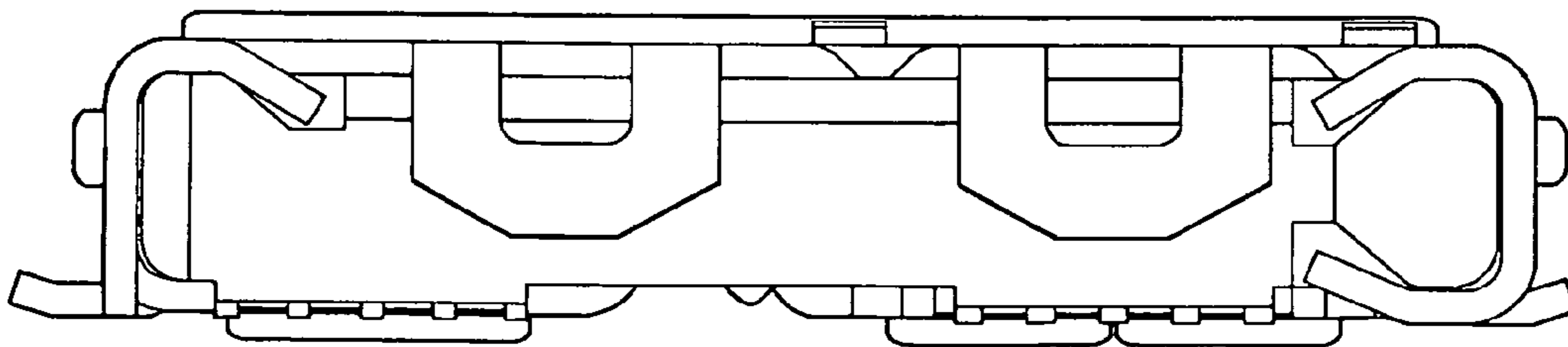


FIG. 5

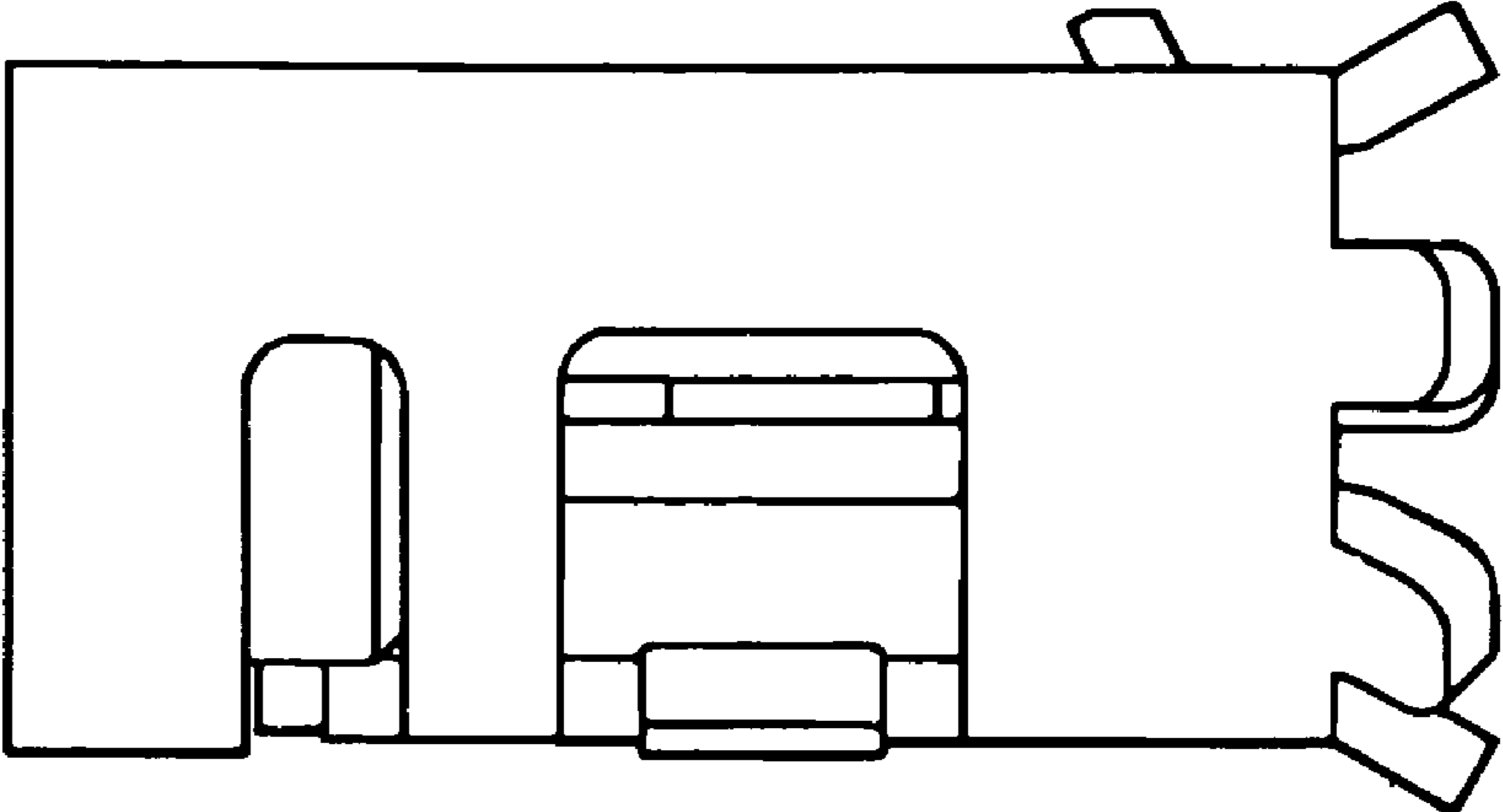


FIG. 6

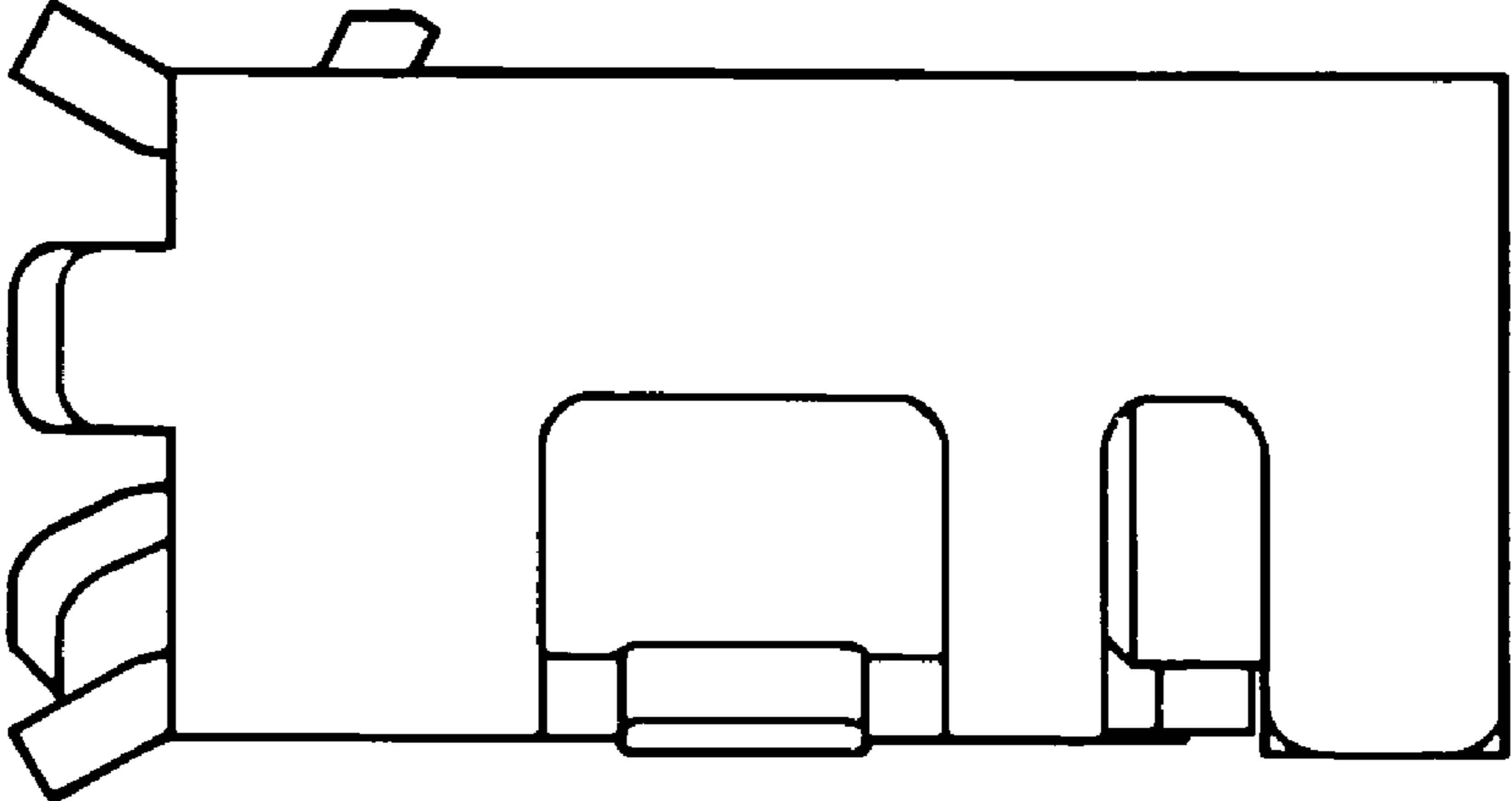


FIG. 7

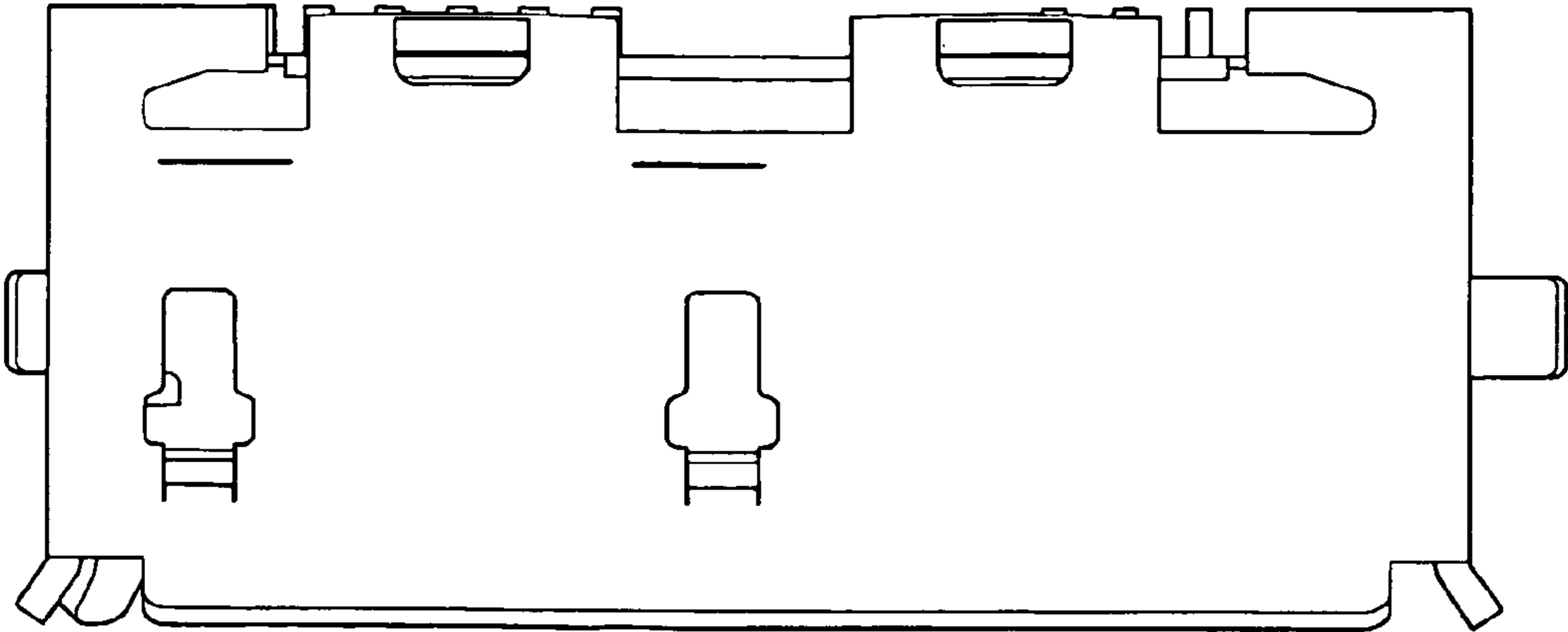


FIG. 8

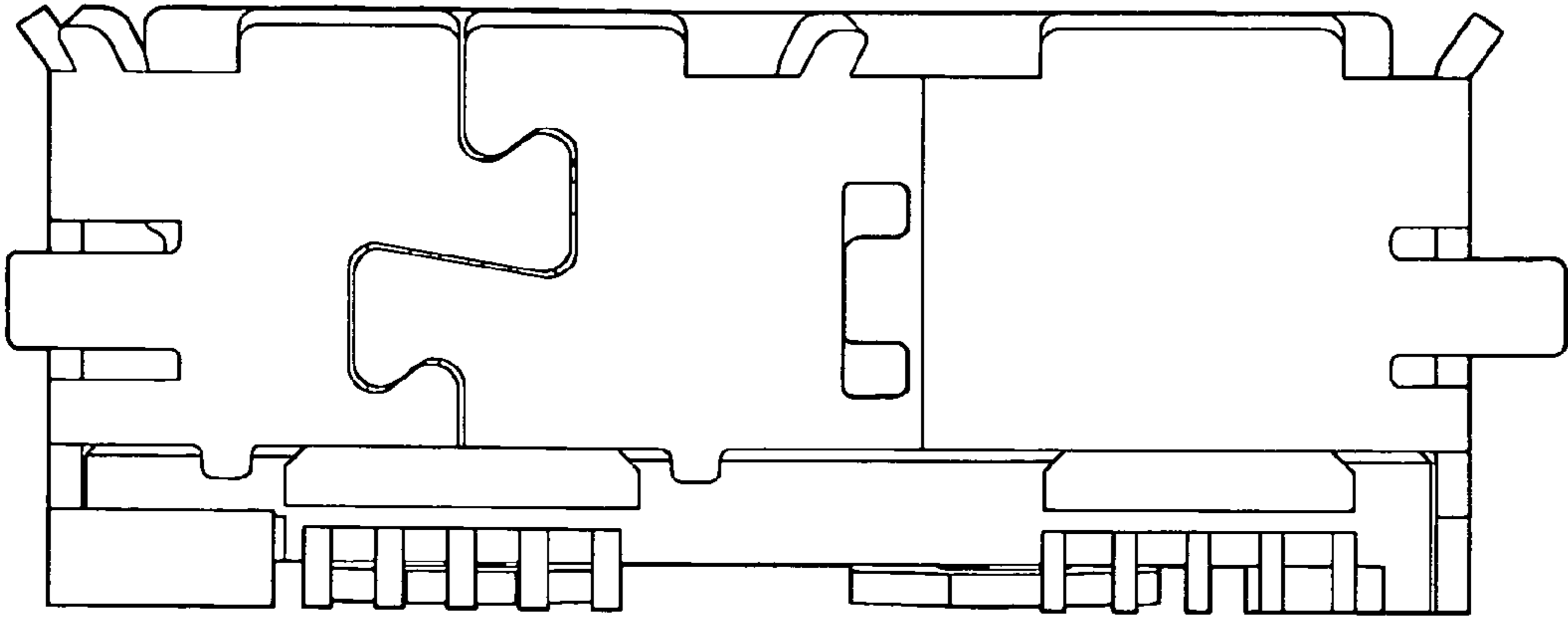


FIG. 9

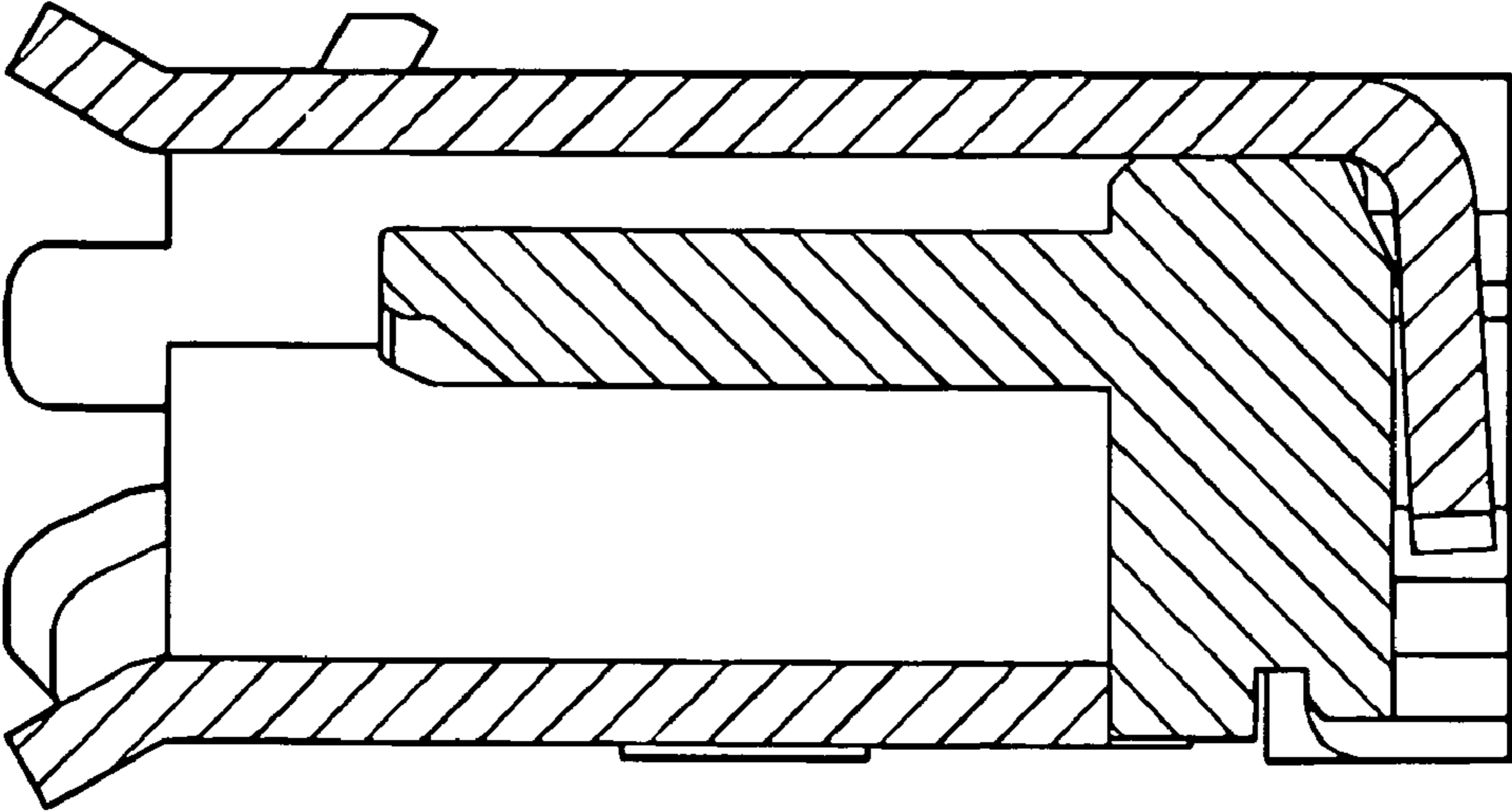


FIG. 10

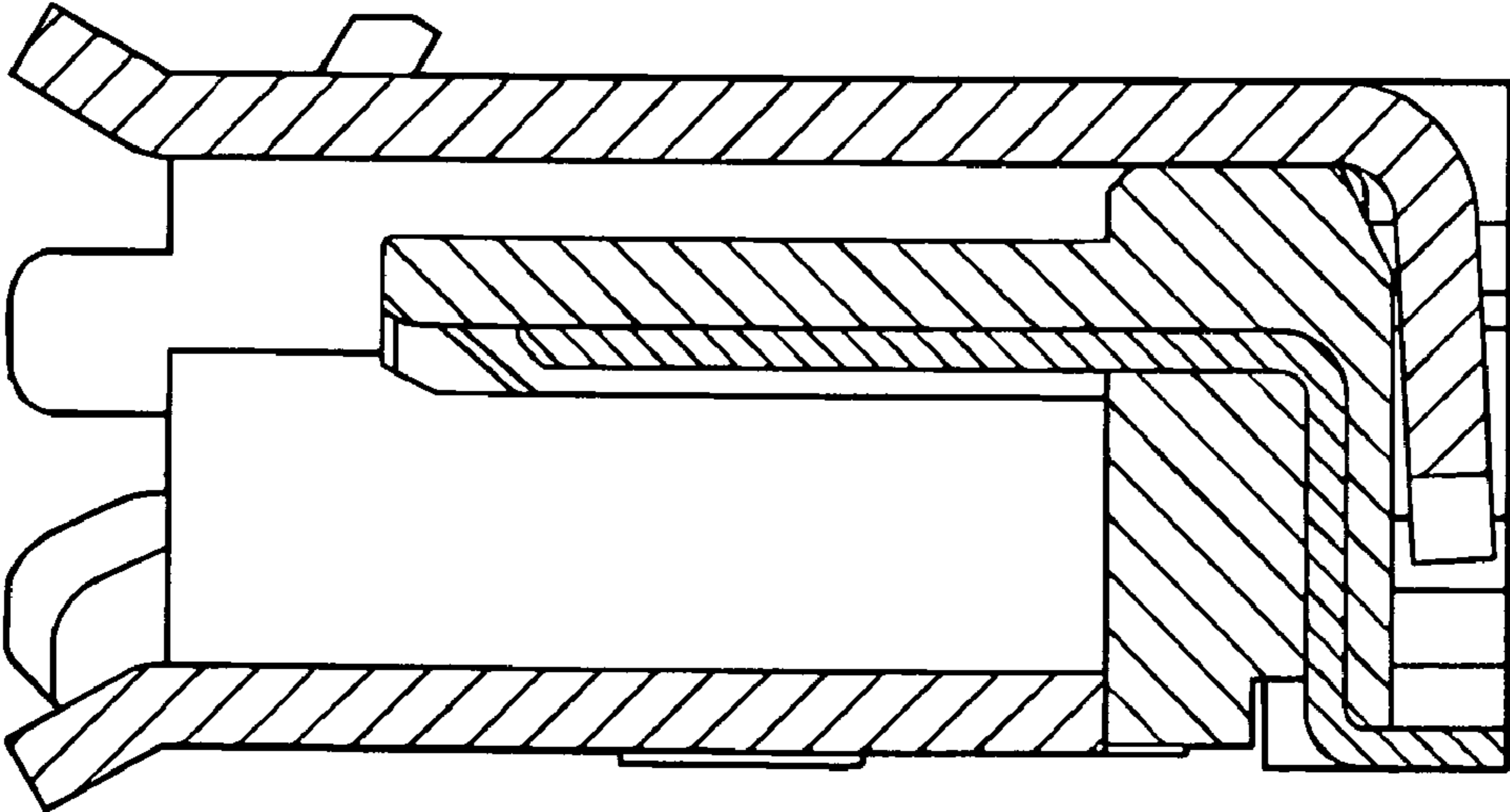


FIG. 11