



US00D607821S

(12) **United States Design Patent**
Fukano et al.

(10) **Patent No.:** **US D607,821 S**
(45) **Date of Patent:** **** Jan. 12, 2010**

(54) **CONTROLLER OF ELECTRICAL ACTUATOR**

D463,372 S 9/2002 Sato et al.

D477,814 S 7/2003 Droulin et al.

(75) Inventors: **Yoshihiro Fukano**, Moriya (JP);
Takeshi Hirose, Moriya (JP)

D579,877 S 11/2008 Carpenter et al.

2006/0052006 A1 3/2006 Amano et al.

(73) Assignee: **SMC Kabushiki Kaisha**, Tokyo (JP)

(**) Term: **14 Years**

Primary Examiner—Daniel D Bui

(74) *Attorney, Agent, or Firm*—Frishauf, Holtz, Goodman & Chick, P.C.

(21) Appl. No.: **29/340,840**

(22) Filed: **Jul. 27, 2009**

(57) **CLAIM**

The ornamental design for a controller of electrical actuator, as shown.

Related U.S. Application Data

(62) Division of application No. 29/294,751, filed on Jan. 25, 2008, now Pat. No. Des. 601,963.

DESCRIPTION

(51) **LOC (9) Cl.** **13-03**

(52) **U.S. Cl.** **D13/146**

(58) **Field of Classification Search** D13/133,
D13/146–147, 153, 154, 184; 439/135, 180,
439/278, 290–292, 295, 483, 527, 529, 533,
439/540.1, 660, 668, 680, 682, 686, 892,
439/894

FIG. 1 is a top, front and left-side perspective view of a controller of electrical actuator showing our new design;

FIG. 2 is a front view thereof;

FIG. 3 is a rear view thereof;

FIG. 4 is a top plan view thereof;

FIG. 5 is a bottom plan view thereof;

FIG. 6 is a left side view thereof; and,

FIG. 7 is a right side view thereof.

See application file for complete search history.

(56) **References Cited**

U.S. PATENT DOCUMENTS

5,593,315 A 1/1997 Kinoshita et al.

1 Claim, 7 Drawing Sheets

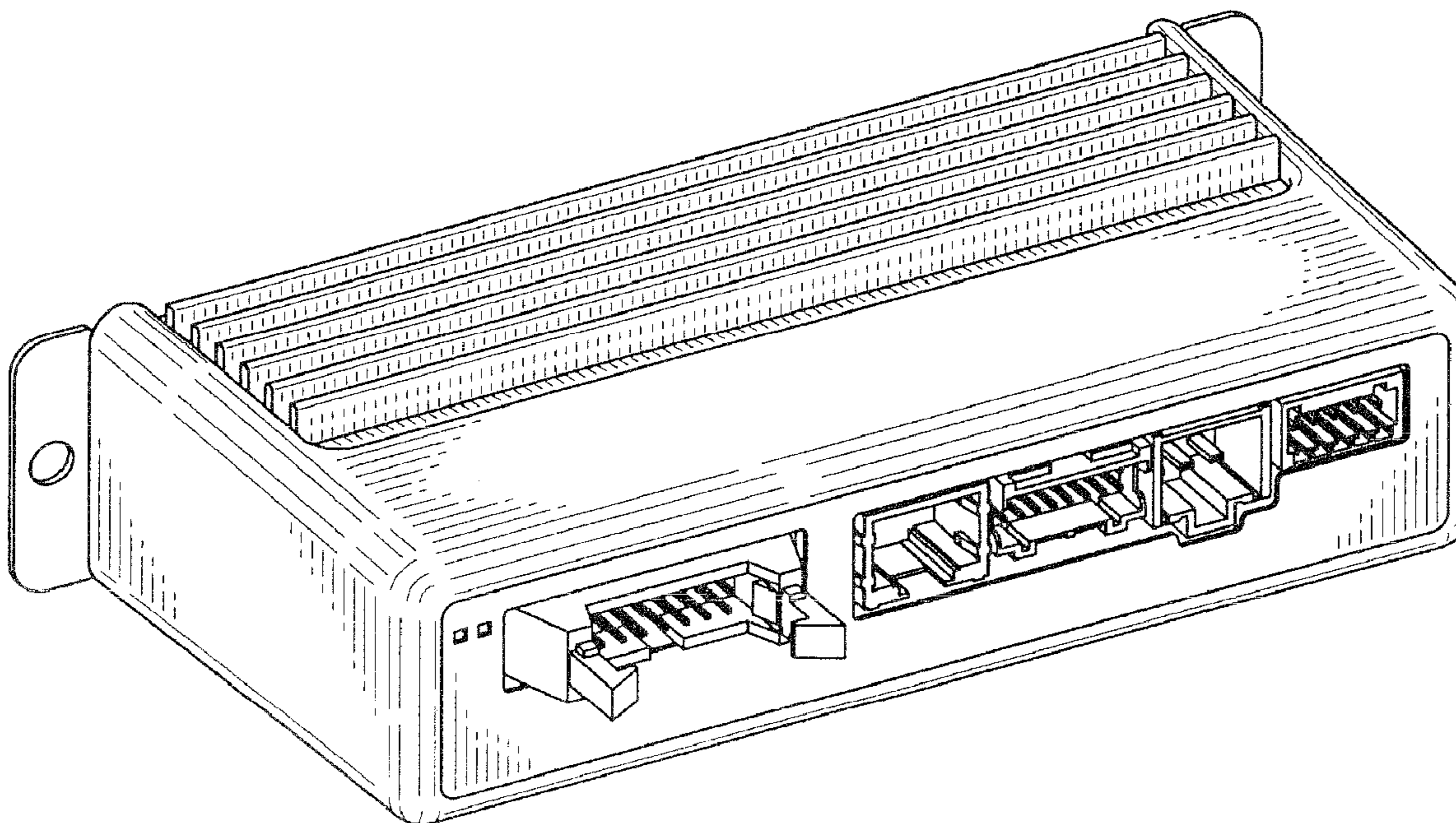


FIG. 1

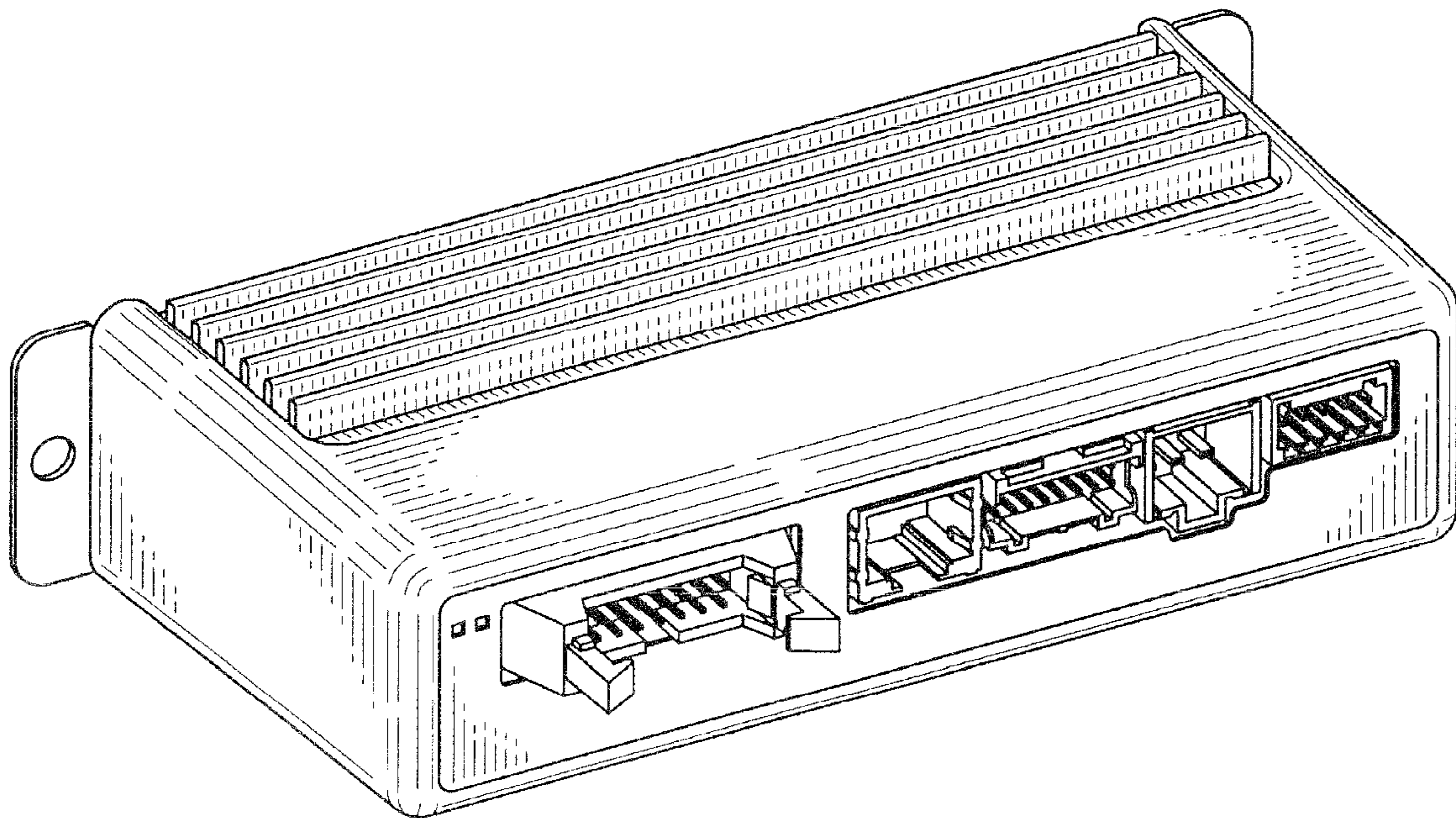


FIG. 2

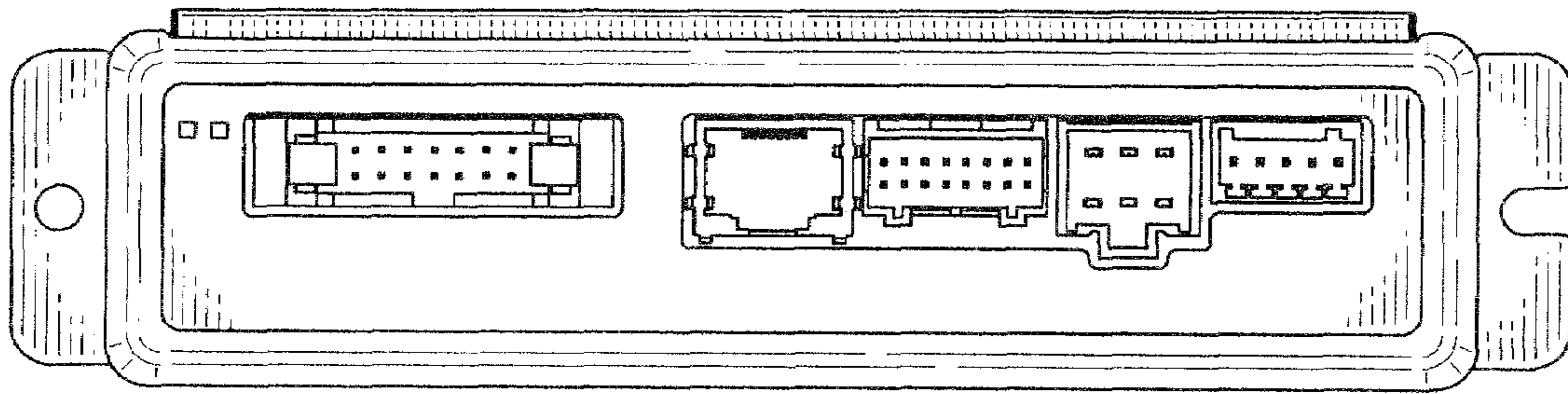


FIG. 3

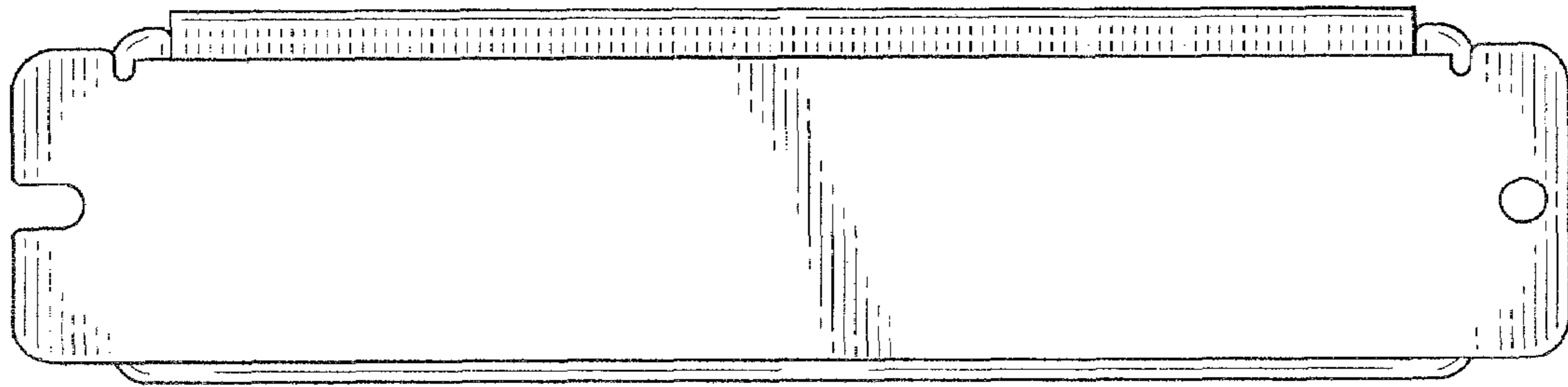


FIG. 4

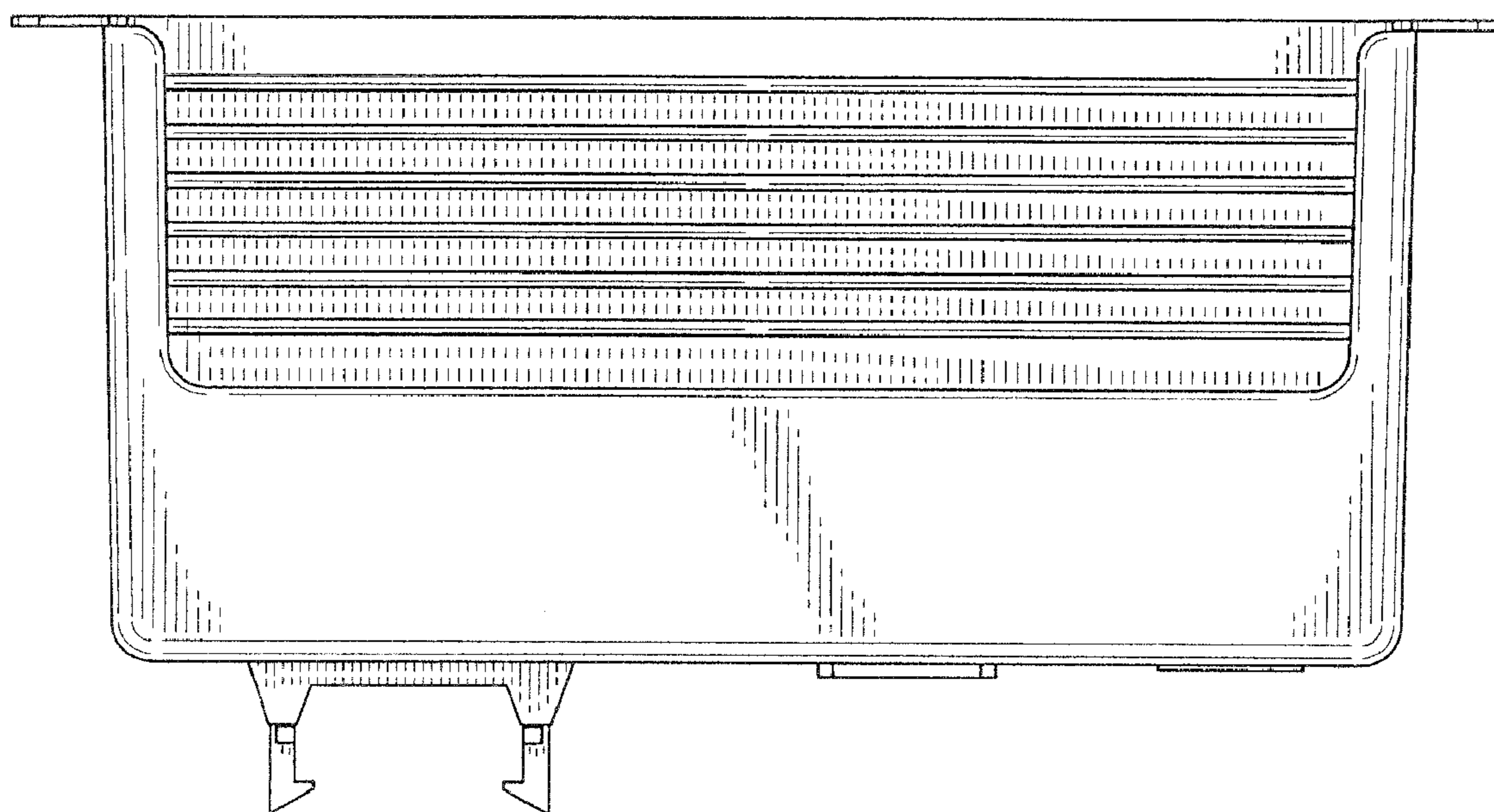


FIG. 5

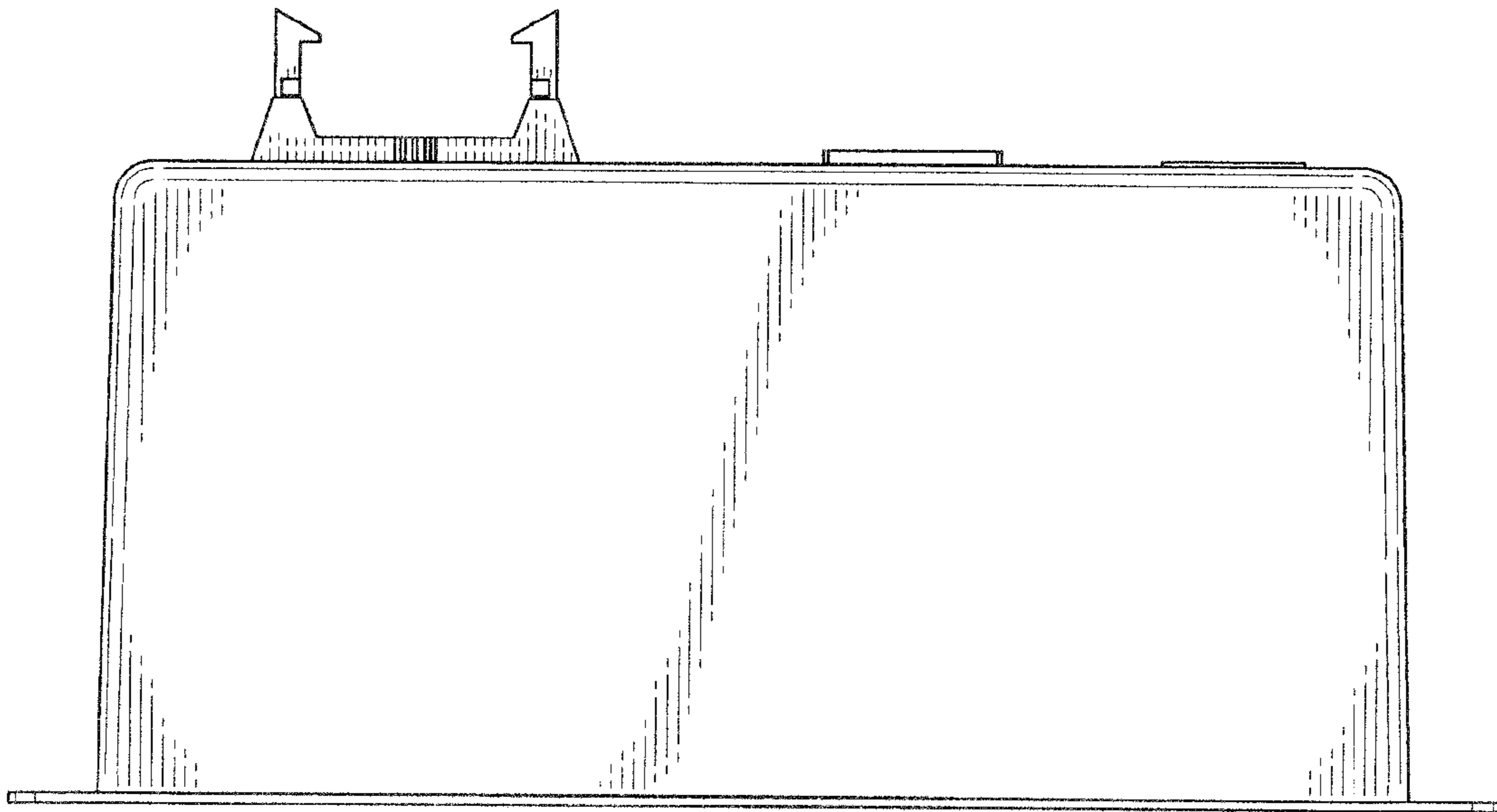


FIG. 6

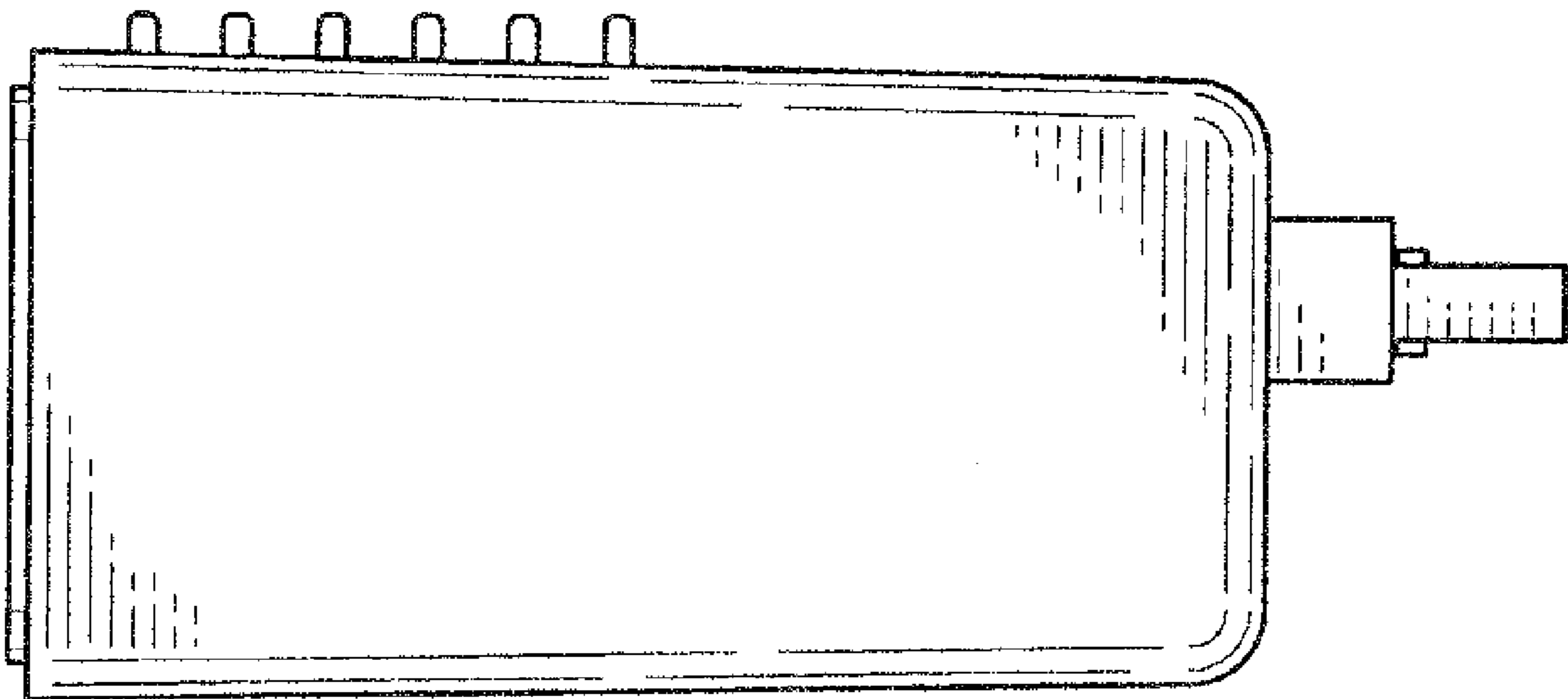


FIG. 7

