



US00D607820S

(12) **United States Design Patent**
Thörner

(10) **Patent No.:** **US D607,820 S**
(45) **Date of Patent:** **** Jan. 12, 2010**

(54) **ELECTRIC PLUG CONNECTOR**

(76) Inventor: **Wolfgang B. Thörner**, Im Teelbruch
103, E-45219 Essen (DE)

(**) Term: **14 Years**

(21) Appl. No.: **29/308,520**

(22) Filed: **Jun. 20, 2008**

(30) **Foreign Application Priority Data**

Dec. 21, 2007 (DE) 407 06 310

(51) **LOC (9) Cl.** **13-03**

(52) **U.S. Cl.** **D13/133**

(58) **Field of Classification Search** D13/133,
D13/146, 147, 151, 154, 184, 199; 439/63,
439/350, 581, 582, 585, 732, 842, 852, 854-857
See application file for complete search history.

(56) **References Cited**

U.S. PATENT DOCUMENTS

D314,943 S *	2/1991	Tajima	D13/147
D373,110 S *	8/1996	Fukao et al.	D13/146
D392,618 S *	3/1998	Fukao et al.	D13/146
7,285,011 B2 *	10/2007	Hardy et al.	439/582
D576,550 S *	9/2008	Chen et al.	D13/133
2002/0177358 A1 *	11/2002	Baffert	439/582

2008/0096420 A1* 4/2008 Zeng 439/582

* cited by examiner

Primary Examiner—Daniel D Bui

Assistant Examiner—Thomas J Johannes

(74) *Attorney, Agent, or Firm*—Collard & Roe, PC

(57) **CLAIM**

The ornamental design for an electric plug connector, as shown and described.

DESCRIPTION

FIG. 1 shows a side view of my design for an electric plug connector, with the opposite side view being a mirror image thereof;

FIG. 2 shows a front view thereof;

FIG. 3 shows a rear view thereof;

FIG. 4 shows a bottom view thereof;

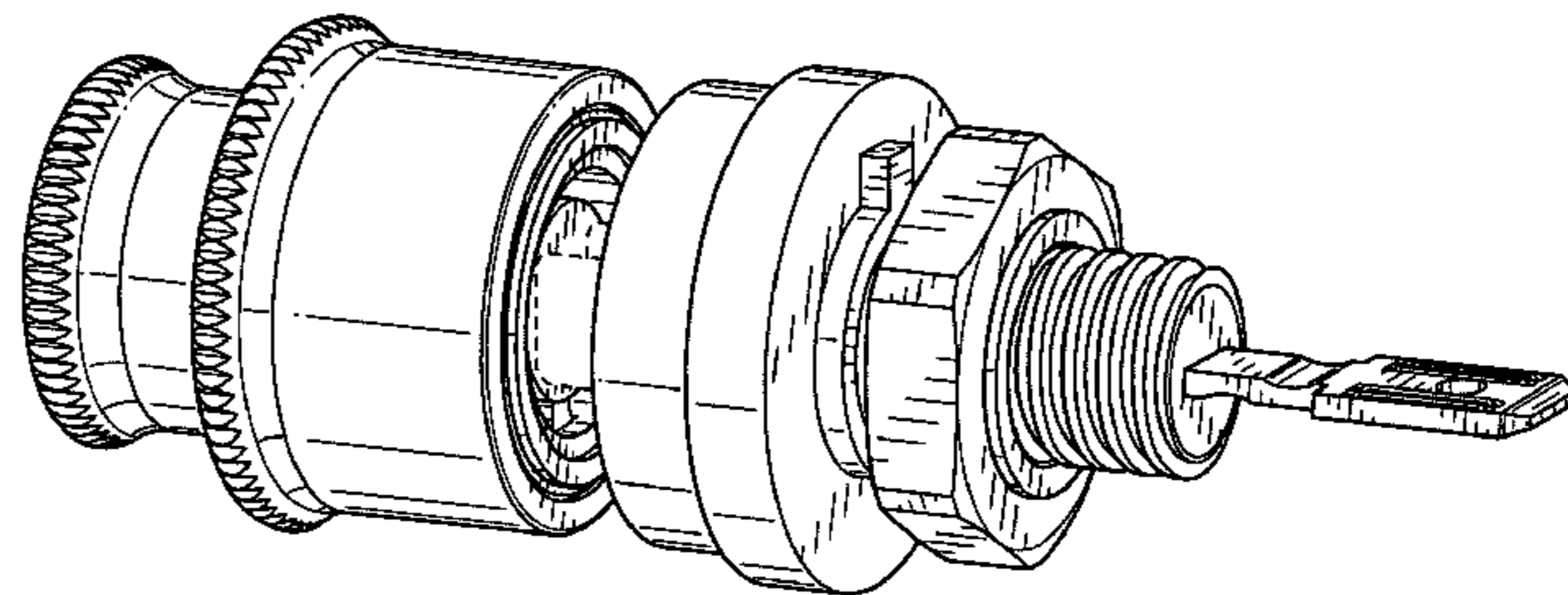
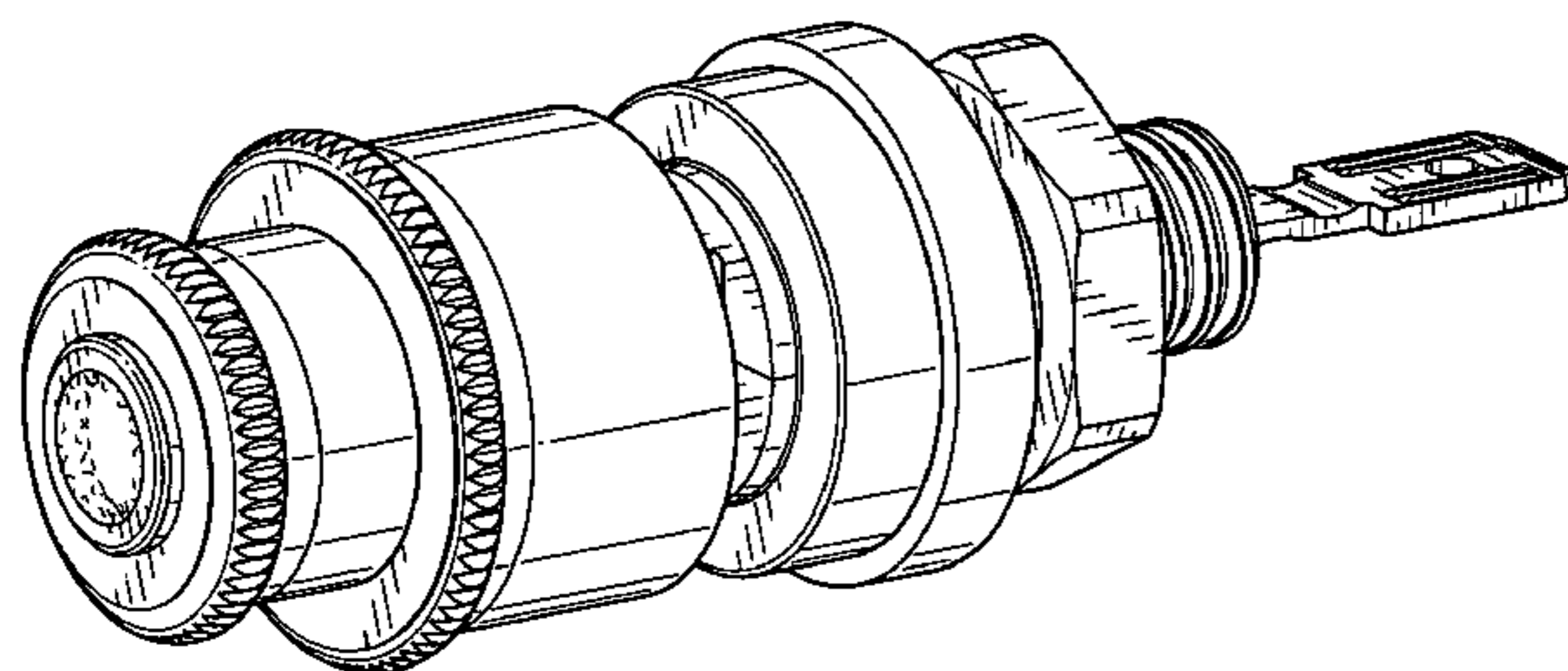
FIG. 5 shows a top view thereof;

FIG. 6 shows a top perspective view thereof; and,

FIG. 7 shows a bottom perspective view thereof.

The broken line portion of the figure drawings is included to show unclaimed subject matter and forms no part of the claimed design.

1 Claim, 4 Drawing Sheets



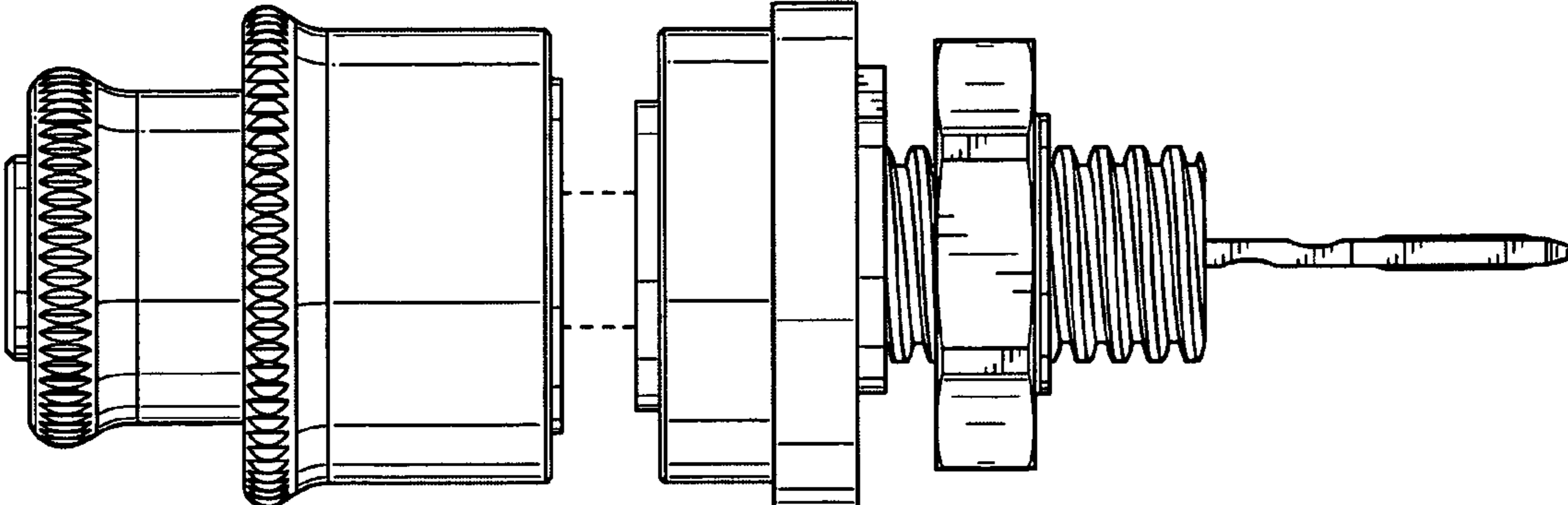


FIG. 1

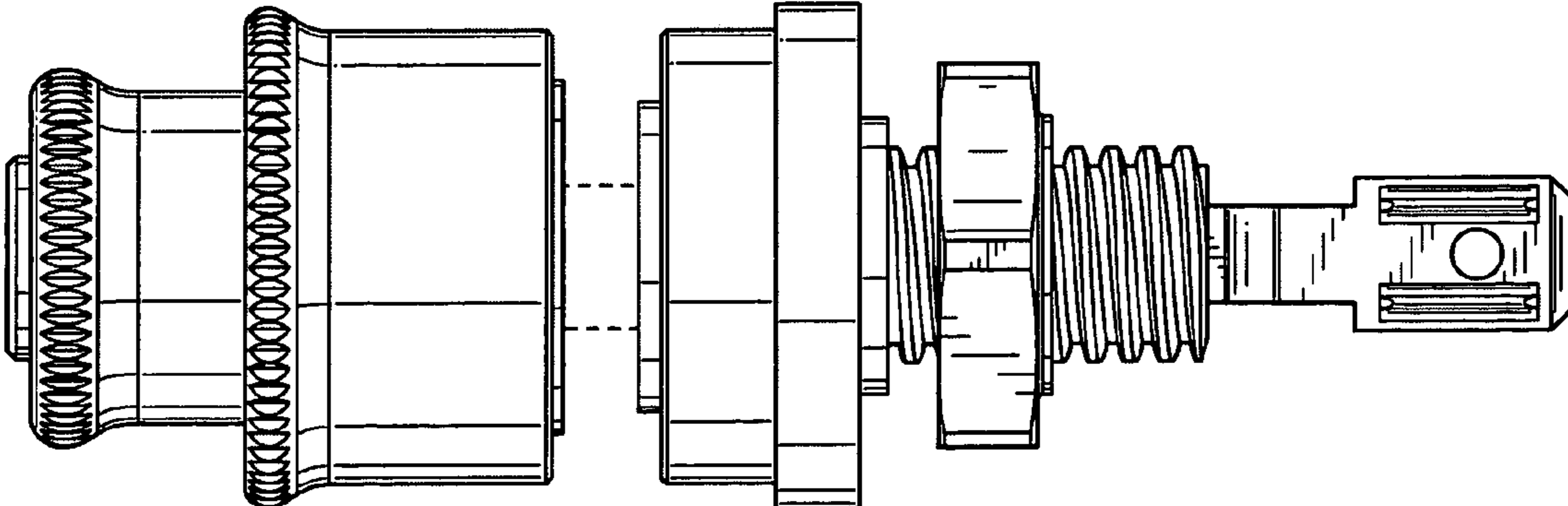


FIG. 2

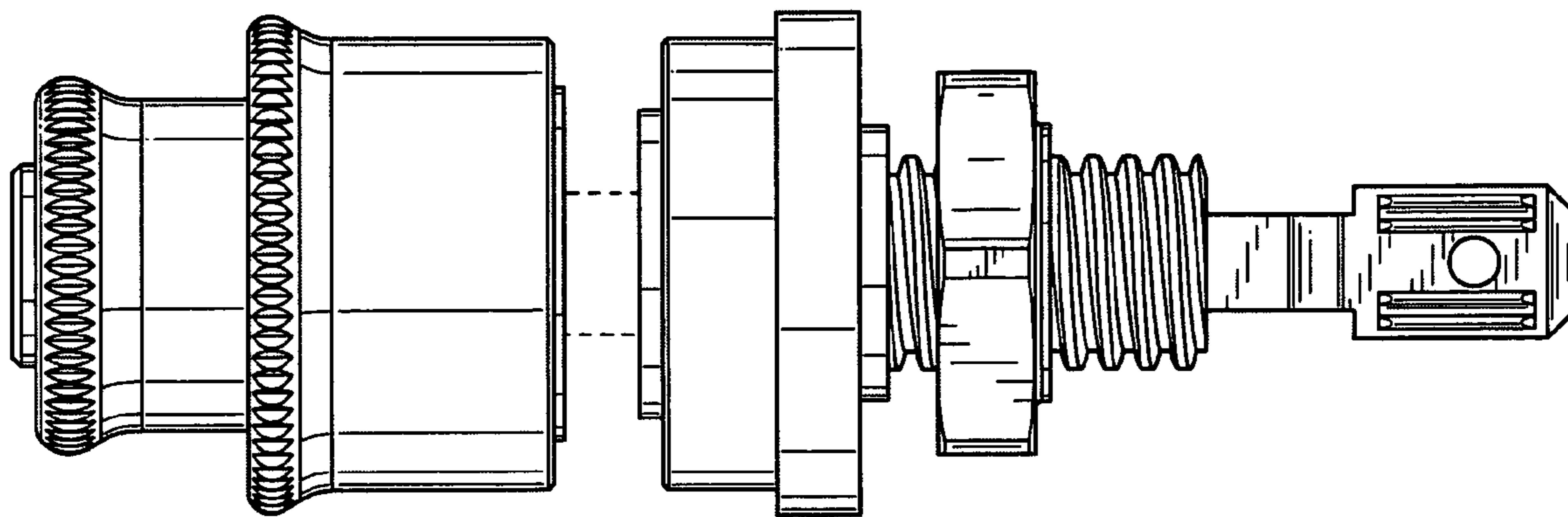


FIG. 3

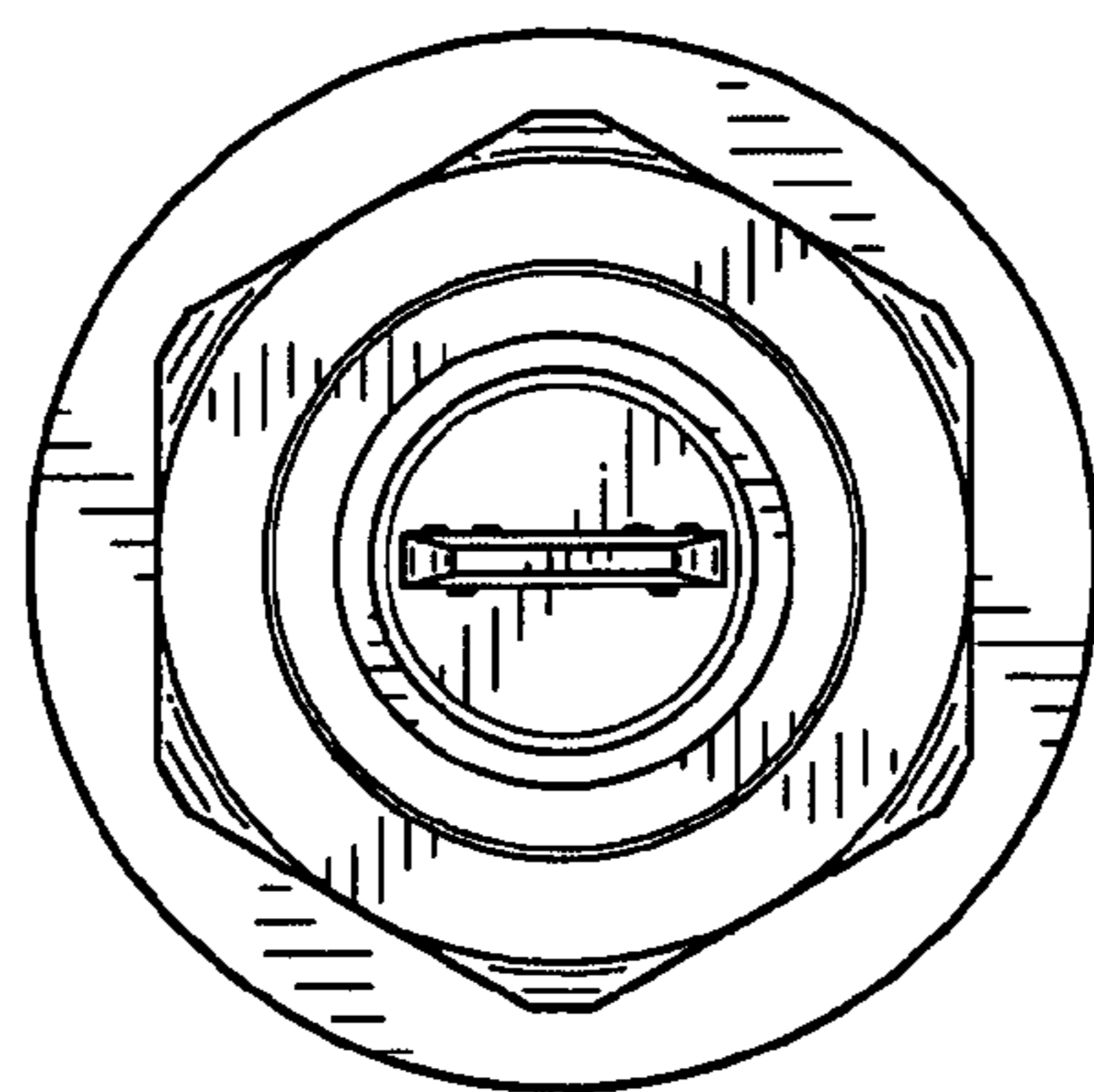


FIG. 4

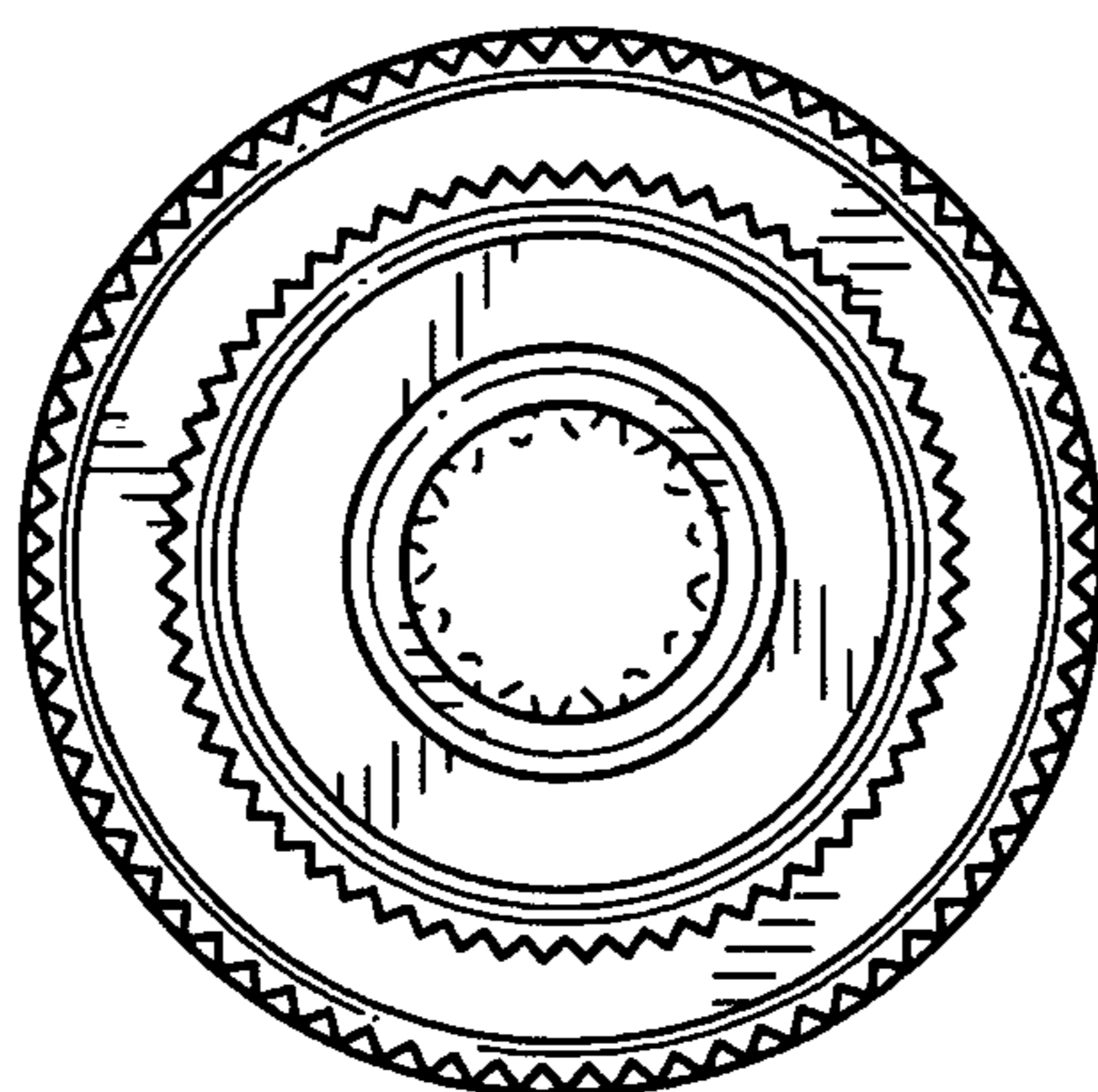


FIG. 5

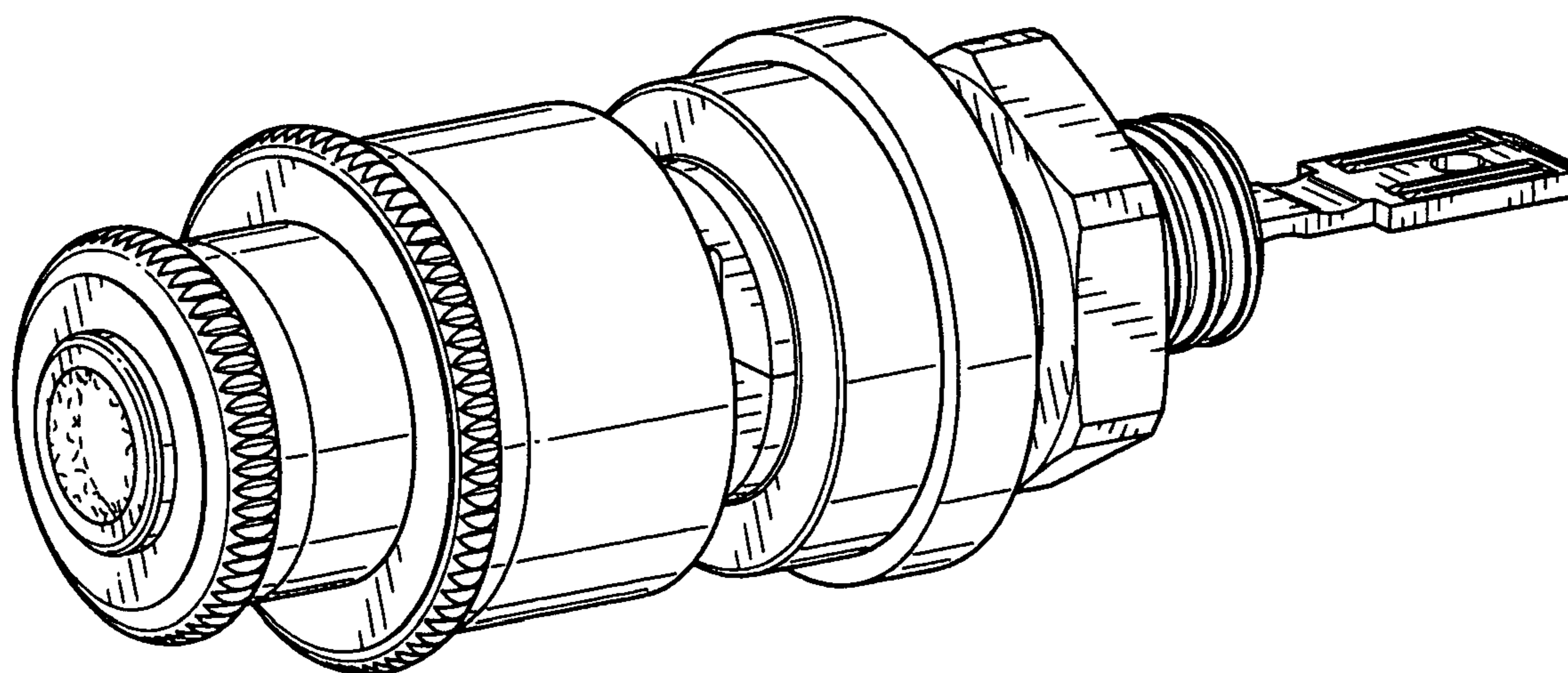


FIG. 6

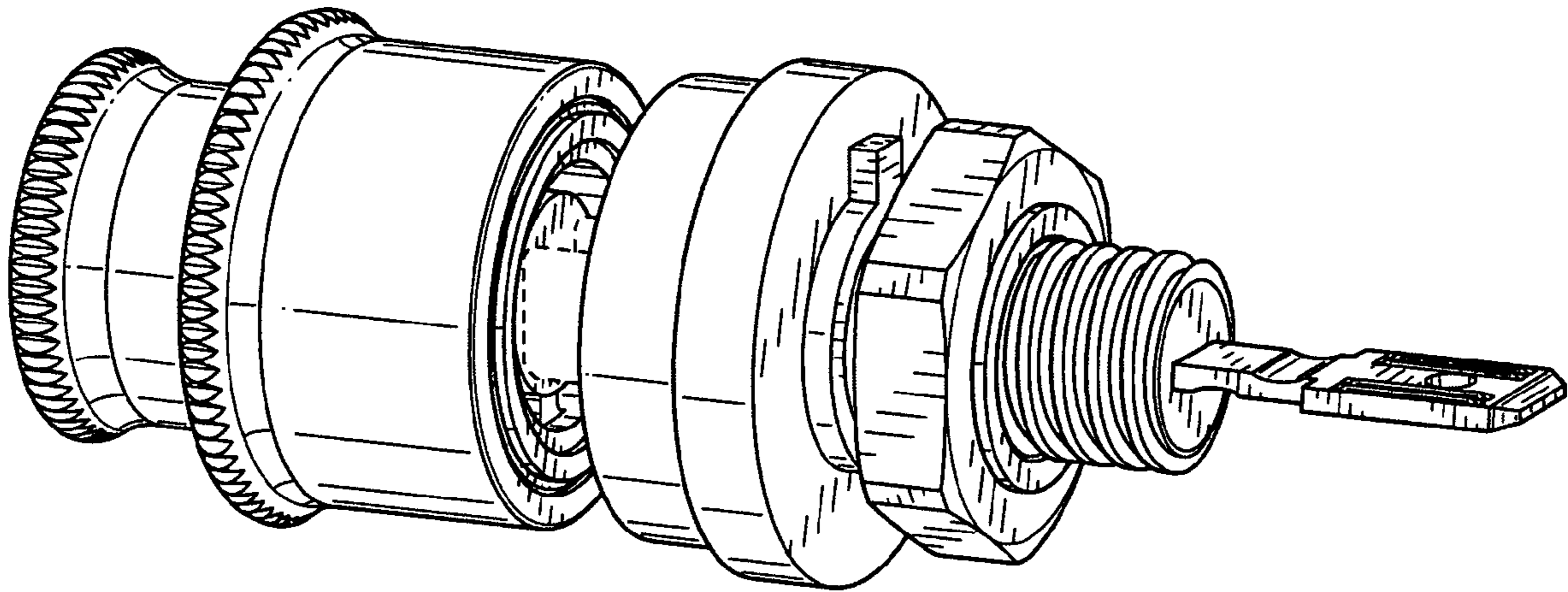


FIG. 7