

US00D607819S

(12) **United States Design Patent**  
**Seil et al.**

(10) **Patent No.:** **US D607,819 S**  
(45) **Date of Patent:** **\*\* Jan. 12, 2010**

(54) **SIGNAL SPLITTER**

D514,520 S \* 2/2006 Bahramian ..... D13/147  
D556,134 S \* 11/2007 Lee et al. .... D13/133

(75) Inventors: **Oliver Duncan Seil**, Pasadena, CA (US);  
**David Kleeman**, Marina Del Rey, CA  
(US); **Avery Erik Holleman**, Long  
Beach, CA (US)

\* cited by examiner

*Primary Examiner*—Nanda Bondade  
(74) *Attorney, Agent, or Firm*—Bryan Cave LLP

(73) Assignee: **Belkin International, Inc.**, Compton,  
CA (US)

(57) **CLAIM**

(\*\*) Term: **14 Years**

We claim the ornamental design for a signal splitter, as shown.

(21) Appl. No.: **29/299,703**

**DESCRIPTION**

(22) Filed: **Jan. 2, 2008**

(51) **LOC (9) Cl.** ..... **13-03**

(52) **U.S. Cl.** ..... **D13/133**

(58) **Field of Classification Search** ..... D13/133,  
D13/146-147, 153-154, 184, 199; D14/496;  
D21/324, 333, 385; 439/352, 358, 502, 607-610,  
439/680

FIG. 1 is a front view of the signal splitter;  
FIG. 2 is a back view thereof;  
FIG. 3 is a left view thereof;  
FIG. 4 is a right view thereof;  
FIG. 5 is a bottom view thereof;  
FIG. 6 is a top view thereof;  
FIG. 7 is a front, top, right isometric view thereof; and,  
FIG. 8 is a bottom, top, right isometric view thereof.  
The broken lines in the drawings are for illustrative purposes only and form no part of the claimed design.

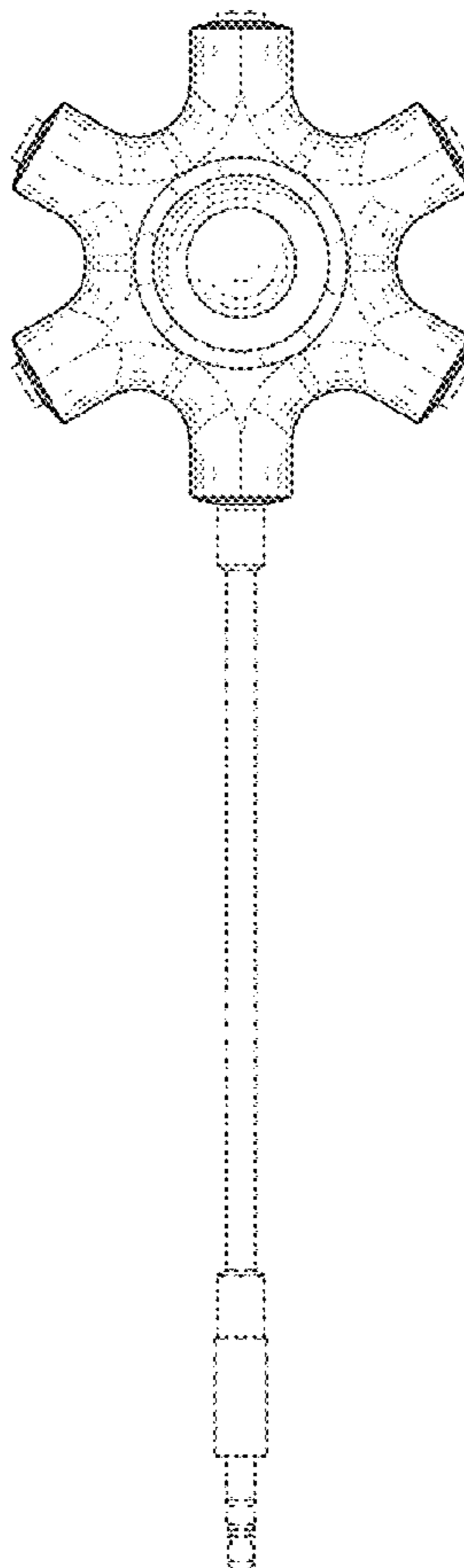
See application file for complete search history.

(56) **References Cited**

**U.S. PATENT DOCUMENTS**

D274,717 S \* 7/1984 Shu ..... D13/151  
D448,347 S \* 9/2001 Zoiss et al. .... D13/146

**1 Claim, 3 Drawing Sheets**



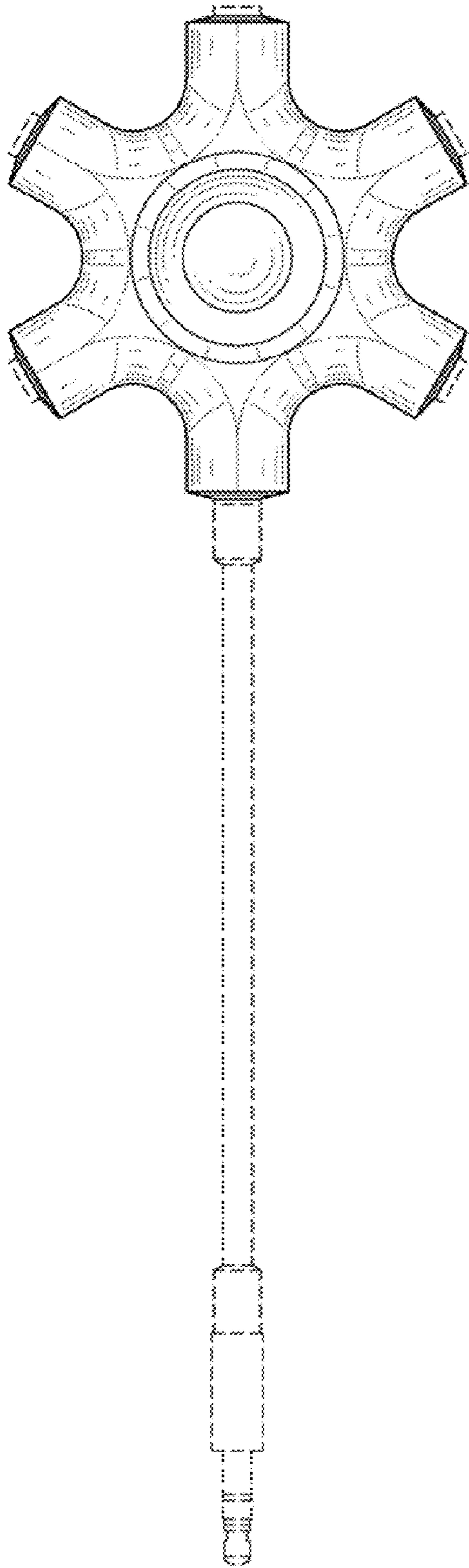


FIG. 1

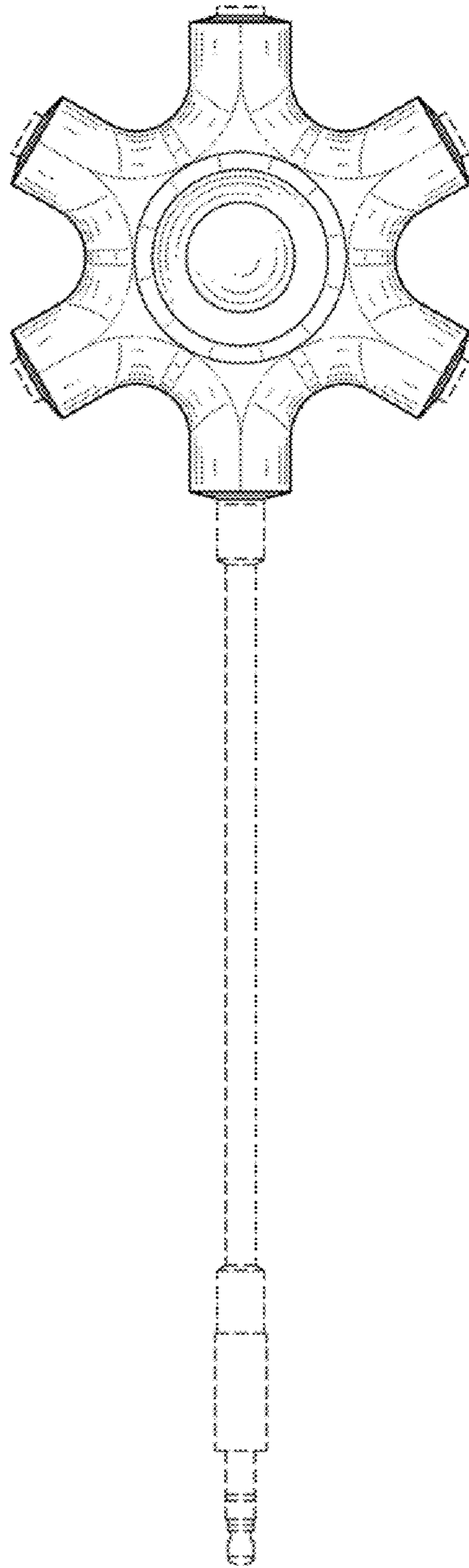


FIG. 2

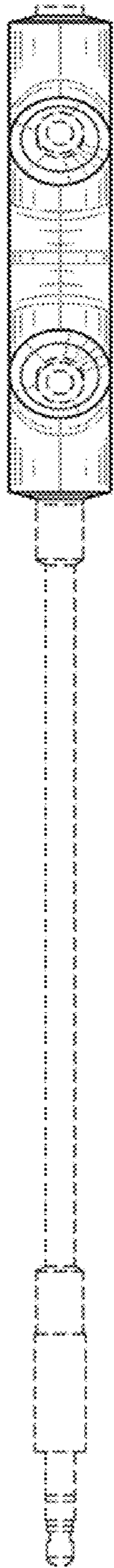


FIG. 3

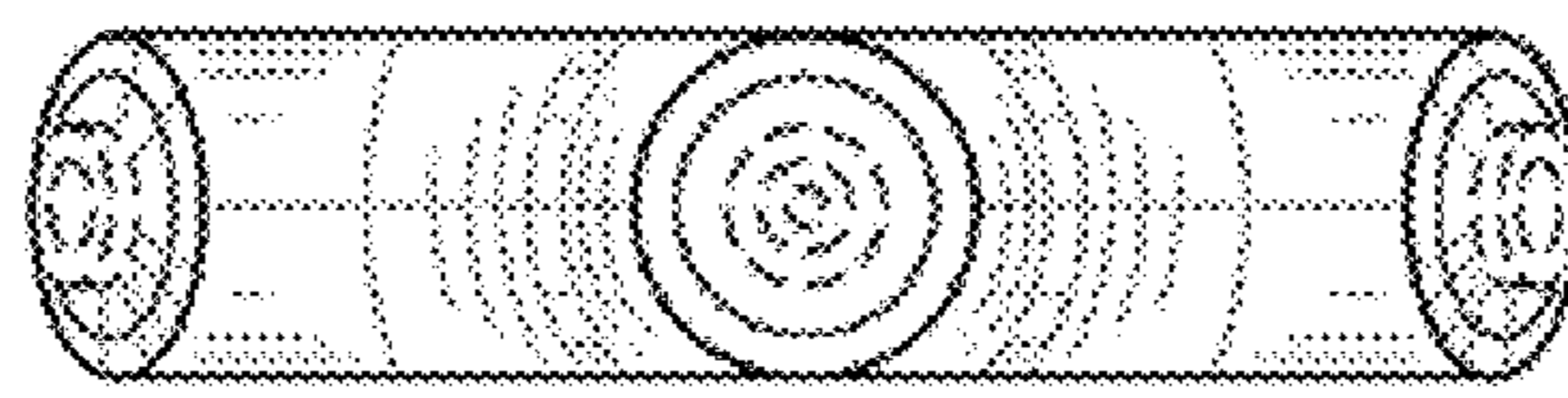


FIG. 5

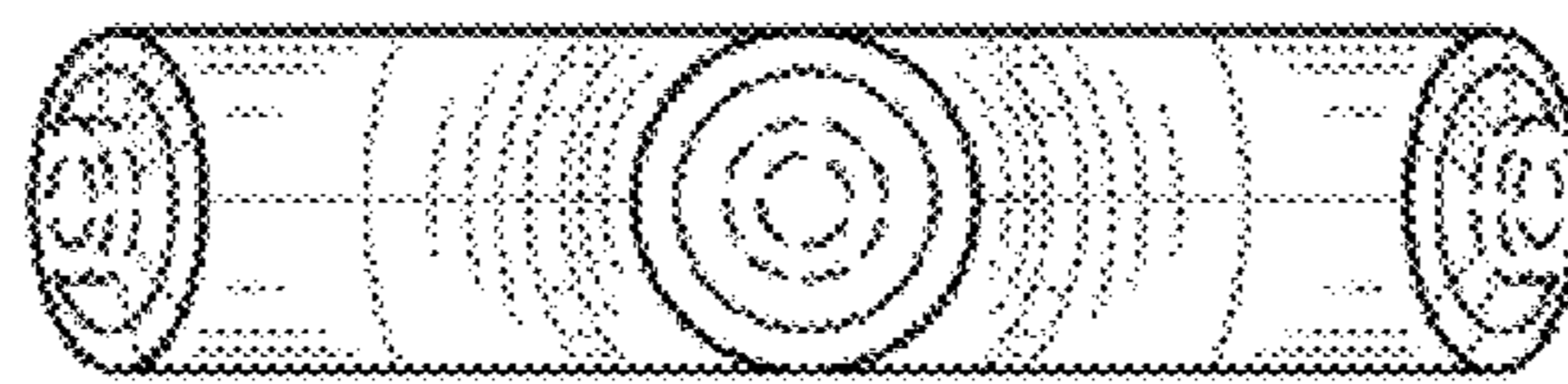


FIG. 6

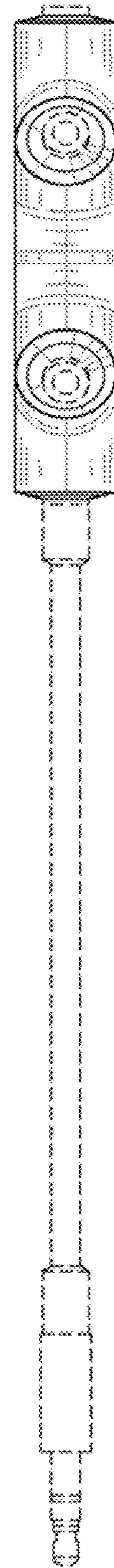


FIG. 4

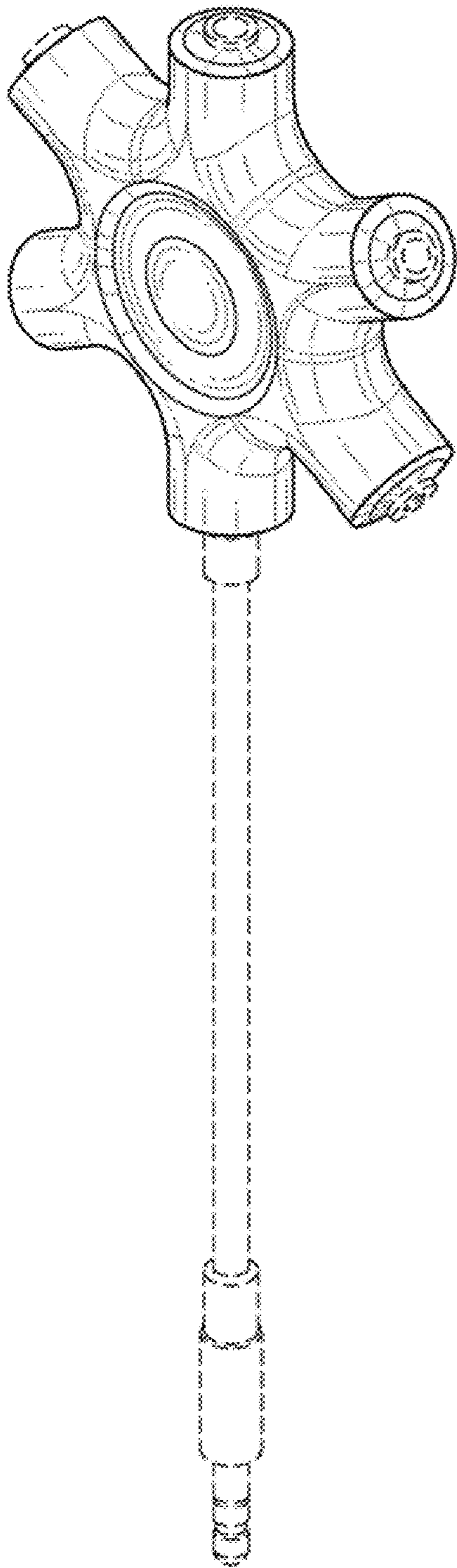


FIG. 7

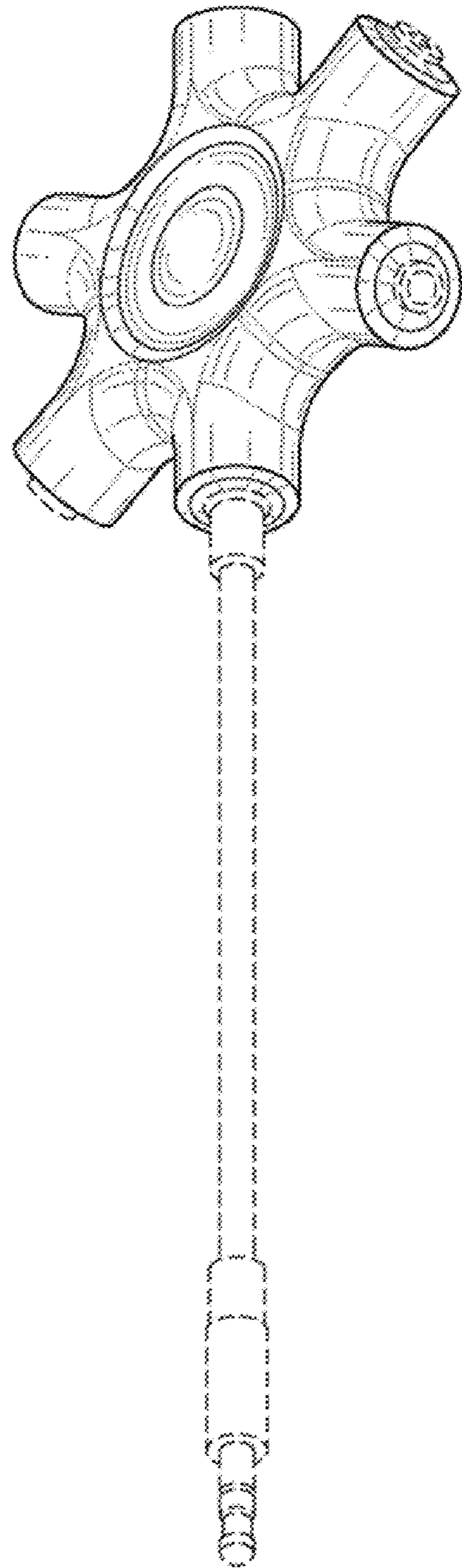


FIG. 8