



US00D607816S

(12) **United States Design Patent**
Chen et al.

(10) **Patent No.:** **US D607,816 S**
(45) **Date of Patent:** **** Jan. 12, 2010**

(54) **CHARGING DOCK**

(75) Inventors: **Henry Chen**, City of Industry, CA (US);
Jackson Chan, Diamond Bar, CA (US)

(73) Assignee: **Ever Win International Corporation**,
City of Industry, CA (US)

(**) Term: **14 Years**

(21) Appl. No.: **29/333,766**

(22) Filed: **Mar. 13, 2009**

(51) **LOC (9) Cl.** **13-02**

(52) **U.S. Cl.** **D13/108**

(58) **Field of Classification Search** D13/102,
D13/103, 107-110, 118-119, 133, 184; D14/251,
D14/253, 432, 434; 320/107-115
See application file for complete search history.

(56) **References Cited**

U.S. PATENT DOCUMENTS

D330,693 S *	11/1992	Watanabe et al.	D13/103
D470,458 S *	2/2003	Zdinak et al.	D13/133
D486,492 S *	2/2004	Sheu et al.	D14/434
D494,932 S *	8/2004	Milan	D13/133
D494,934 S *	8/2004	Milan	D13/133
D537,036 S *	2/2007	Chen	D13/133
D540,327 S *	4/2007	Wong et al.	D14/434

D544,438 S *	6/2007	Hussaini et al.	D13/110
D574,326 S *	8/2008	Lim	D13/118
D588,989 S *	3/2009	Kok	D13/133
D589,889 S *	4/2009	Wu et al.	D13/147
D595,223 S *	6/2009	Yamamoto et al.	D13/108

* cited by examiner

Primary Examiner—Rosemary K Tarcza

(57) **CLAIM**

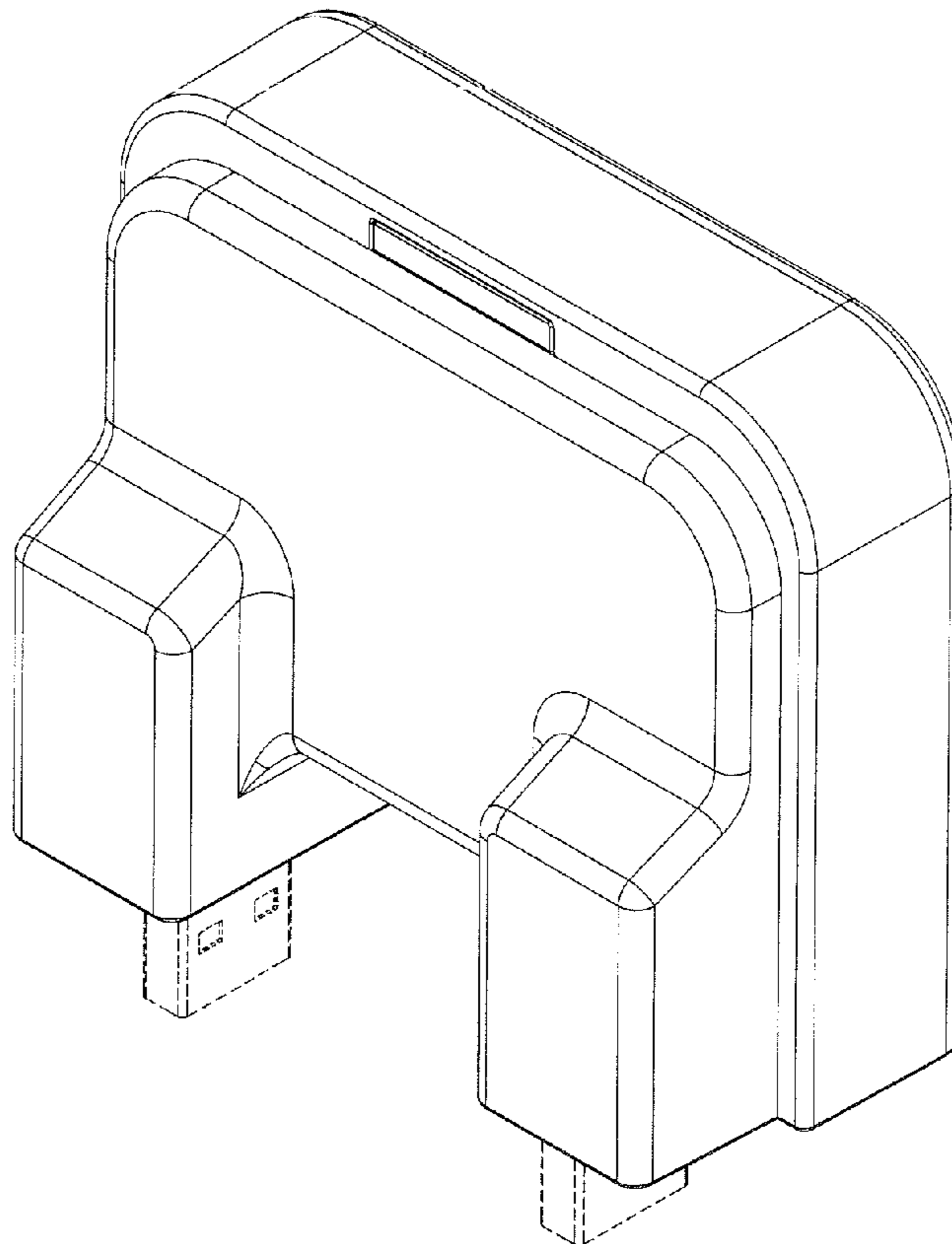
The ornamental design for a charging dock, as shown and described.

DESCRIPTION

FIG. 1 is a perspective view of a charging dock;
FIG. 2 is a front elevation view thereof;
FIG. 3 is a rear elevation view thereof;
FIG. 4 is a side elevation view thereof;
FIG. 5 is a side elevation view of the opposite side view shown in FIG. 4;
FIG. 6 is a top view thereof; and,
FIG. 7 is a bottom view thereof.

The broken lines shown in the drawings are included for the purpose of illustrating environmental structure and form no part of the claimed design.

1 Claim, 4 Drawing Sheets



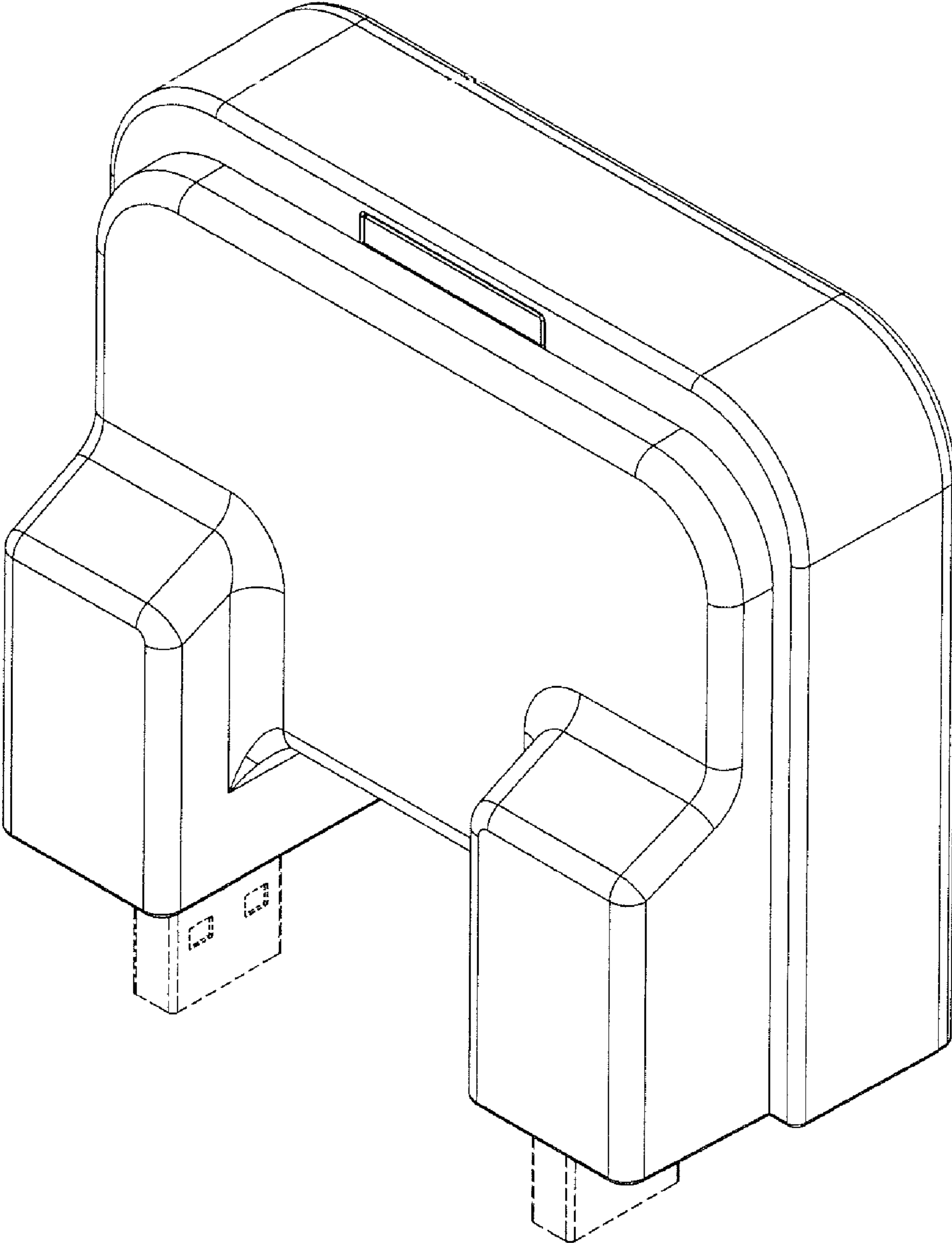


Figure 1

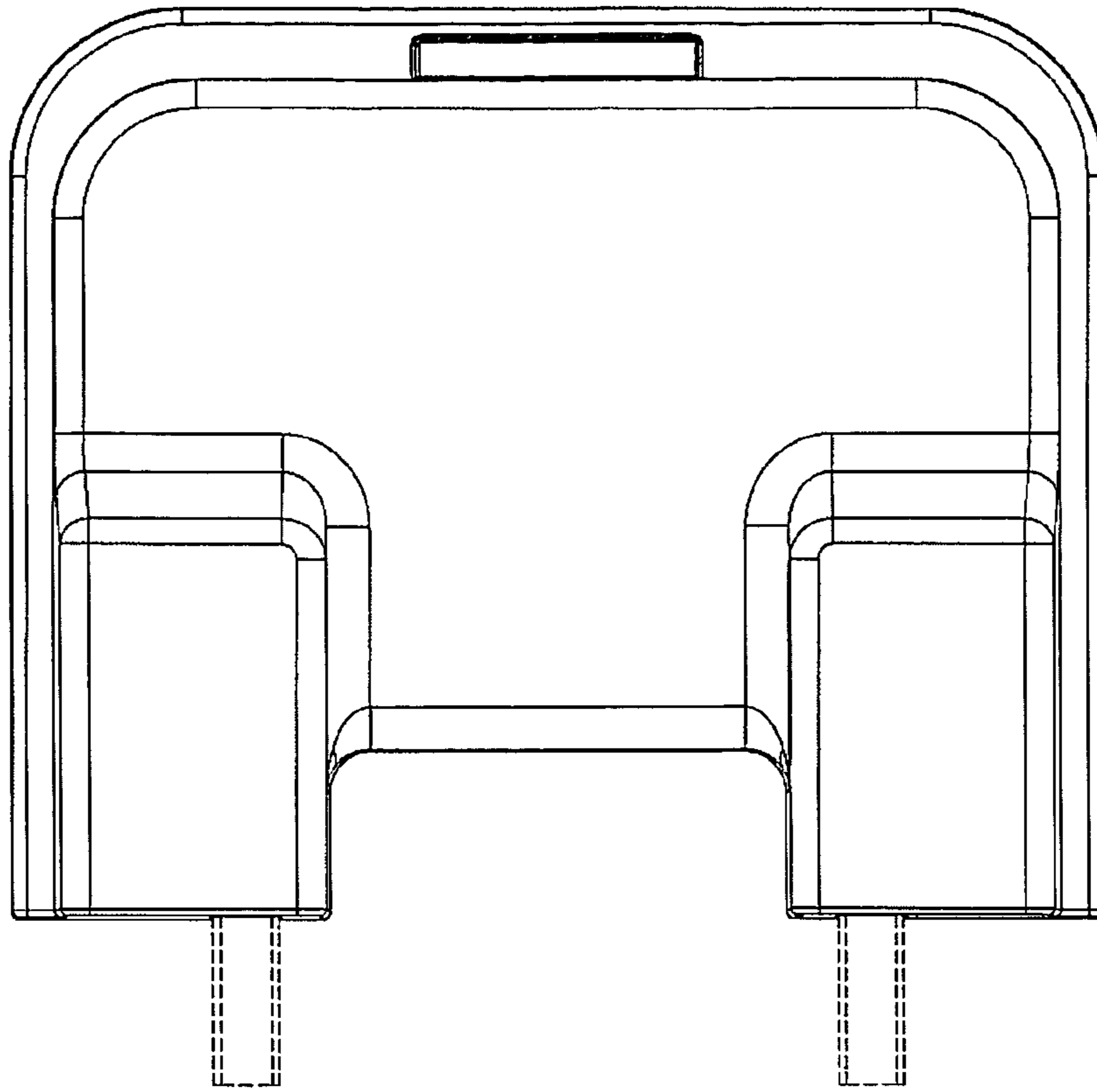


Figure 2

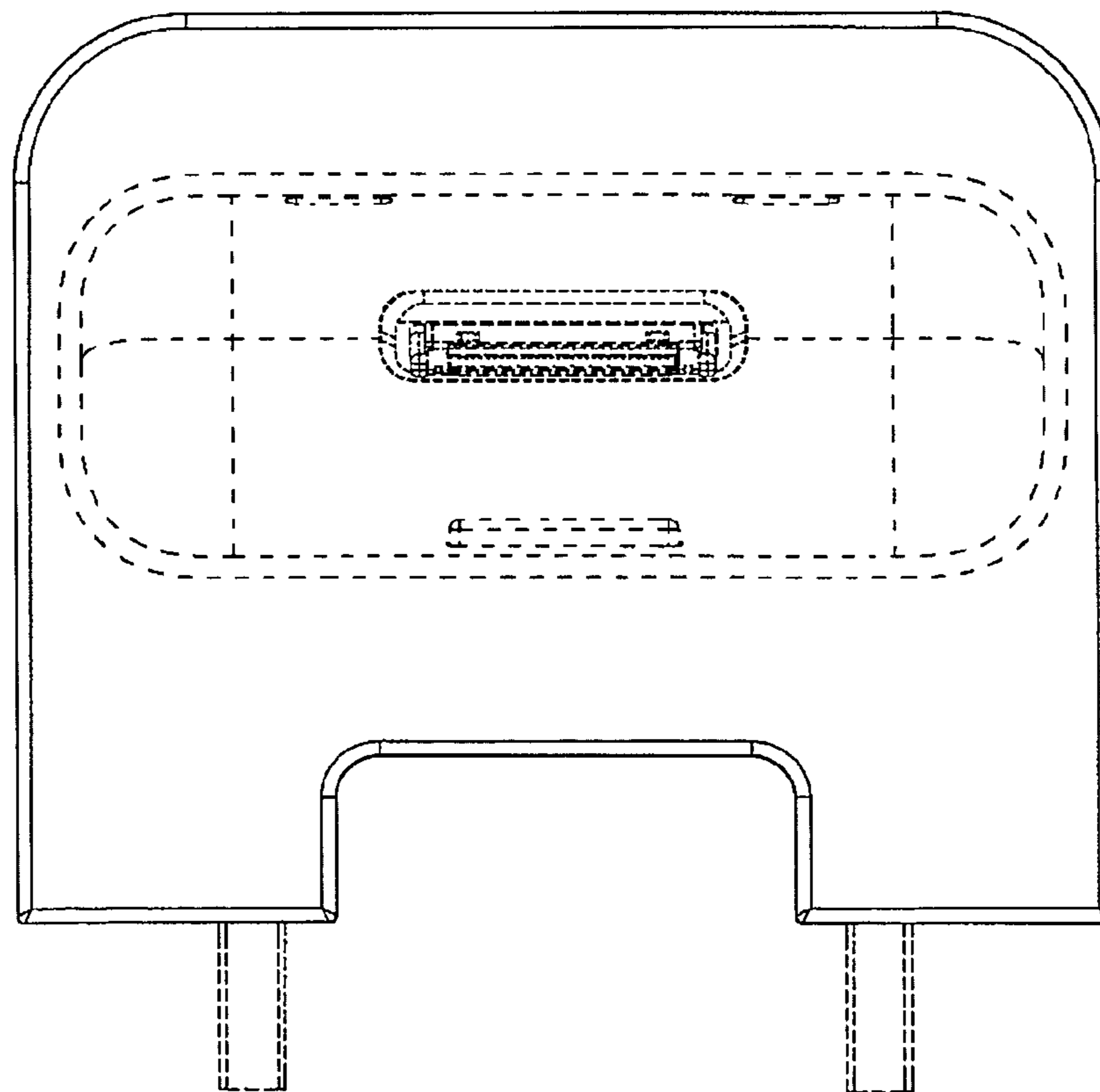


Figure 3

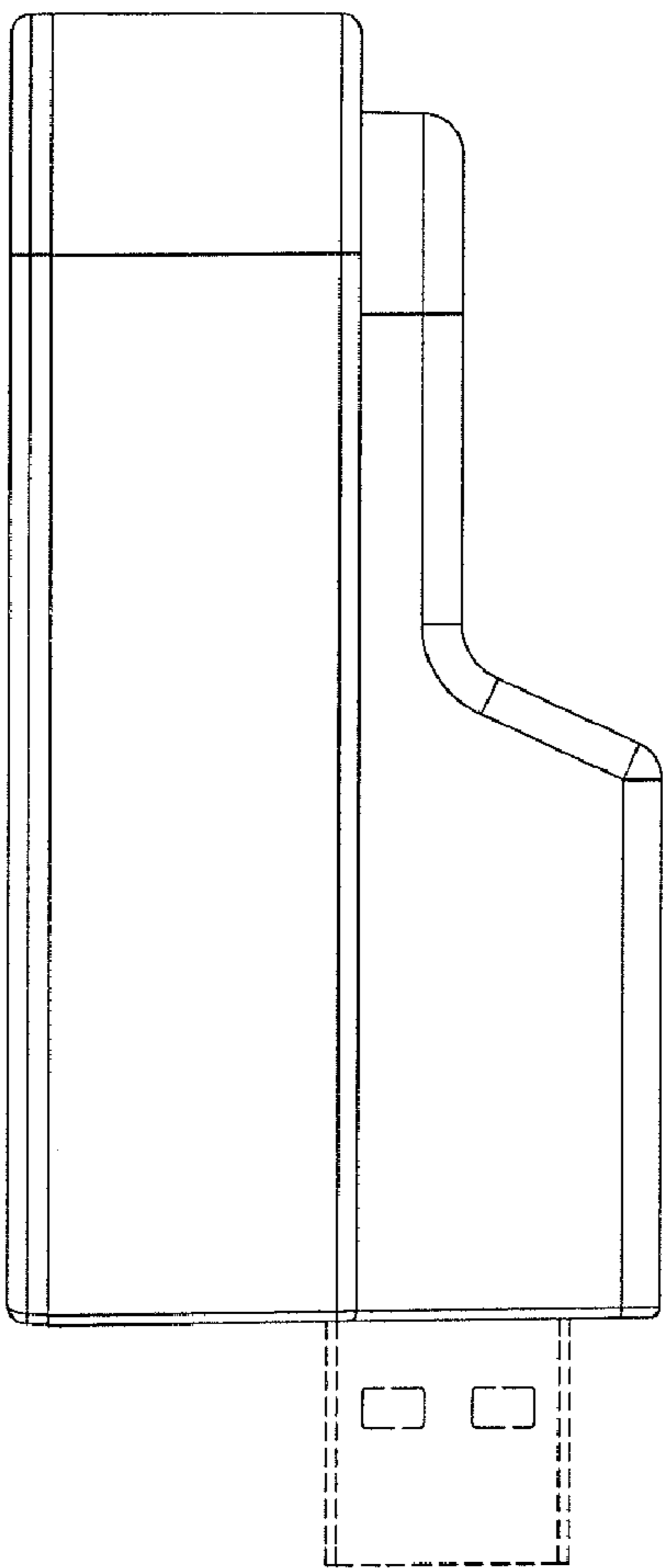


Figure 4

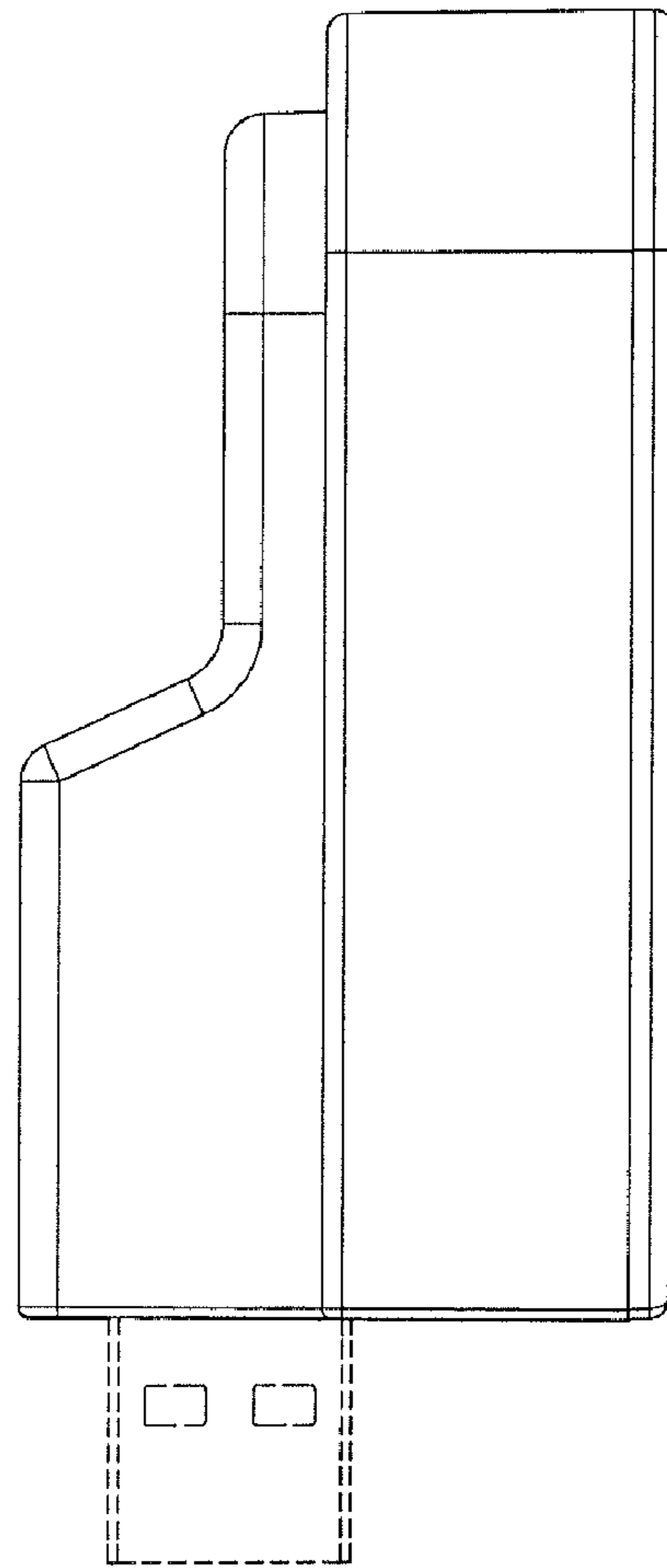


Figure 5

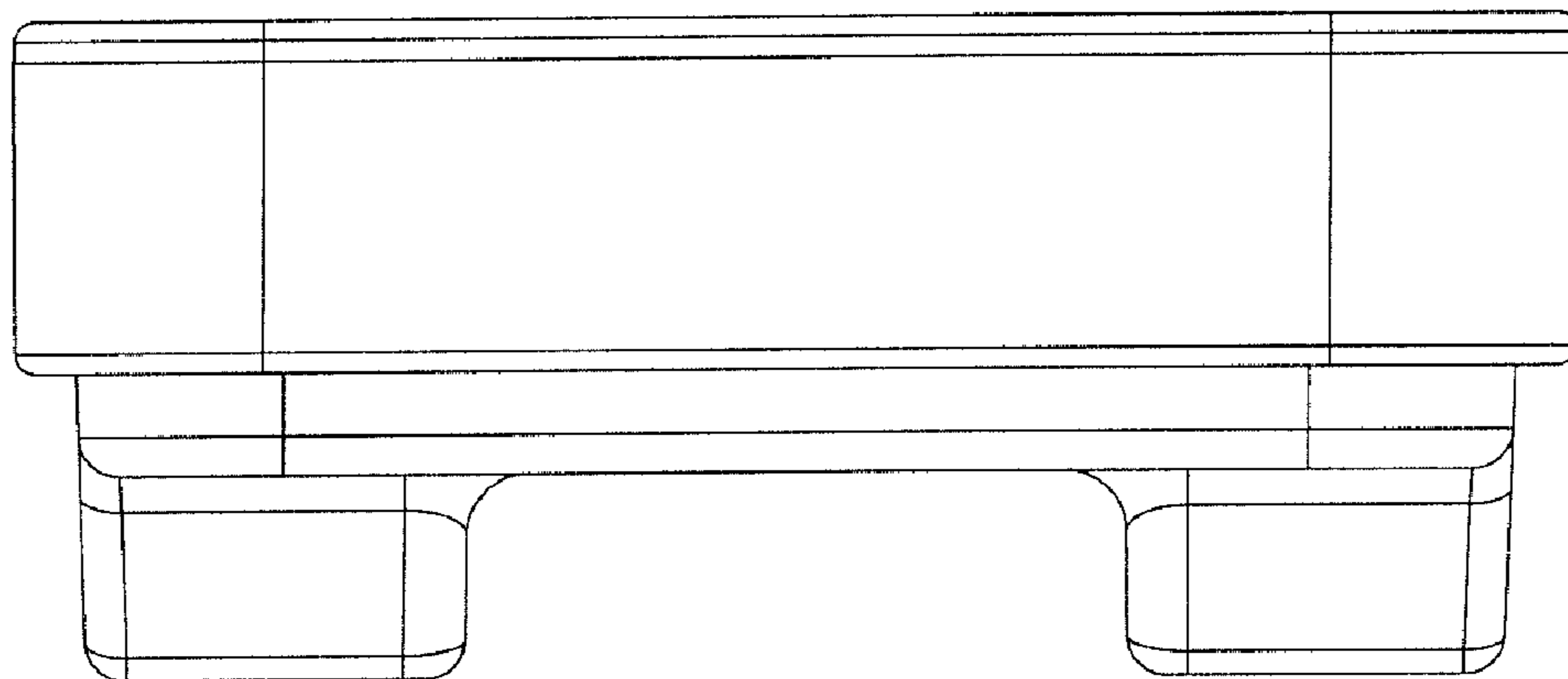


Figure 6

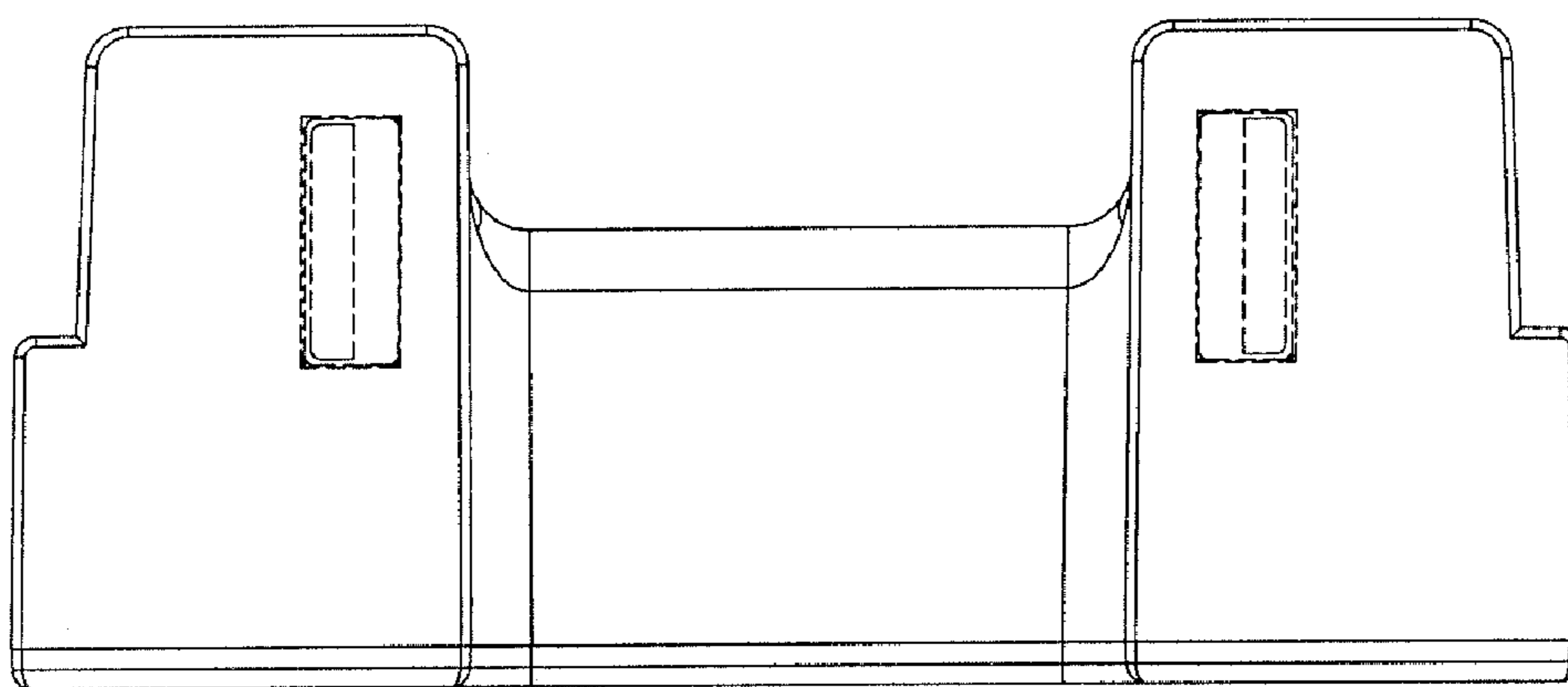


Figure 7