



US00D607815S

(12) **United States Design Patent**
Lui

(10) **Patent No.:** **US D607,815 S**
(45) **Date of Patent:** **** Jan. 12, 2010**

(54) **CHARGER**

(75) Inventor: **Wing Kit Lui**, Kowloon (HK)

(73) Assignee: **Eric Beare Associates Limited**,
Kowloon (HK)

(**) Term: **14 Years**

(21) Appl. No.: **29/340,361**

(22) Filed: **Jul. 17, 2009**

(51) **LOC (9) Cl.** **13-02**

(52) **U.S. Cl.** **D13/107**

(58) **Field of Classification Search** D13/102-103,
D13/107-110, 118-119, 133, 144, 184; D14/251,
D14/253, 432, 434, 184; 439/300, 620, 638,
439/668-669, 675, 825; 320/107-115; 363/146
See application file for complete search history.

(56) **References Cited**

U.S. PATENT DOCUMENTS

5,585,710	A *	12/1996	Nakamura et al.	320/112
6,803,742	B1 *	10/2004	Visciano	320/101
D532,372	S *	11/2006	Keating	D13/108
D532,745	S *	11/2006	Gaber et al.	D13/108
D539,218	S *	3/2007	Gaber et al.	D13/108

D543,936	S *	6/2007	Wada	D13/108
7,338,328	B2 *	3/2008	Krieger et al.	439/668
7,375,494	B2 *	5/2008	Daniel et al.	320/112
D572,656	S *	7/2008	Schein	D13/108
D575,226	S *	8/2008	Bart	D13/110
D598,374	S *	8/2009	Sasada	D13/108
2007/0161294	A1 *	7/2007	Brase et al.	439/668

* cited by examiner

Primary Examiner—Rosemary K Tarcza

(57) **CLAIM**

The ornamental design for a charger, as shown.

DESCRIPTION

FIG. 1 is a front elevational view of a charger showing my new design;

FIG. 2 is a rear elevational view thereof;

FIG. 3 is a left side view thereof;

FIG. 4 is a right side view thereof;

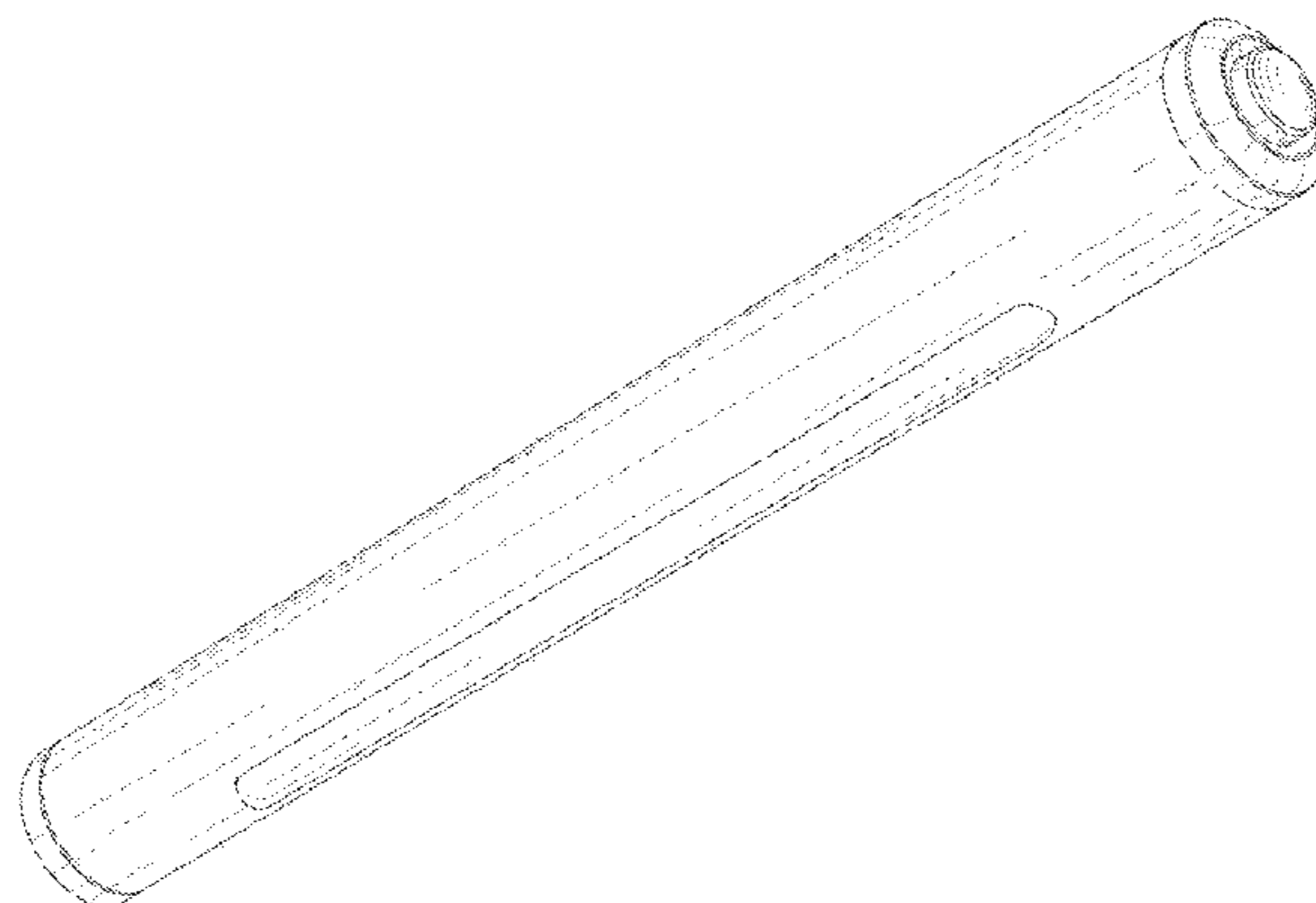
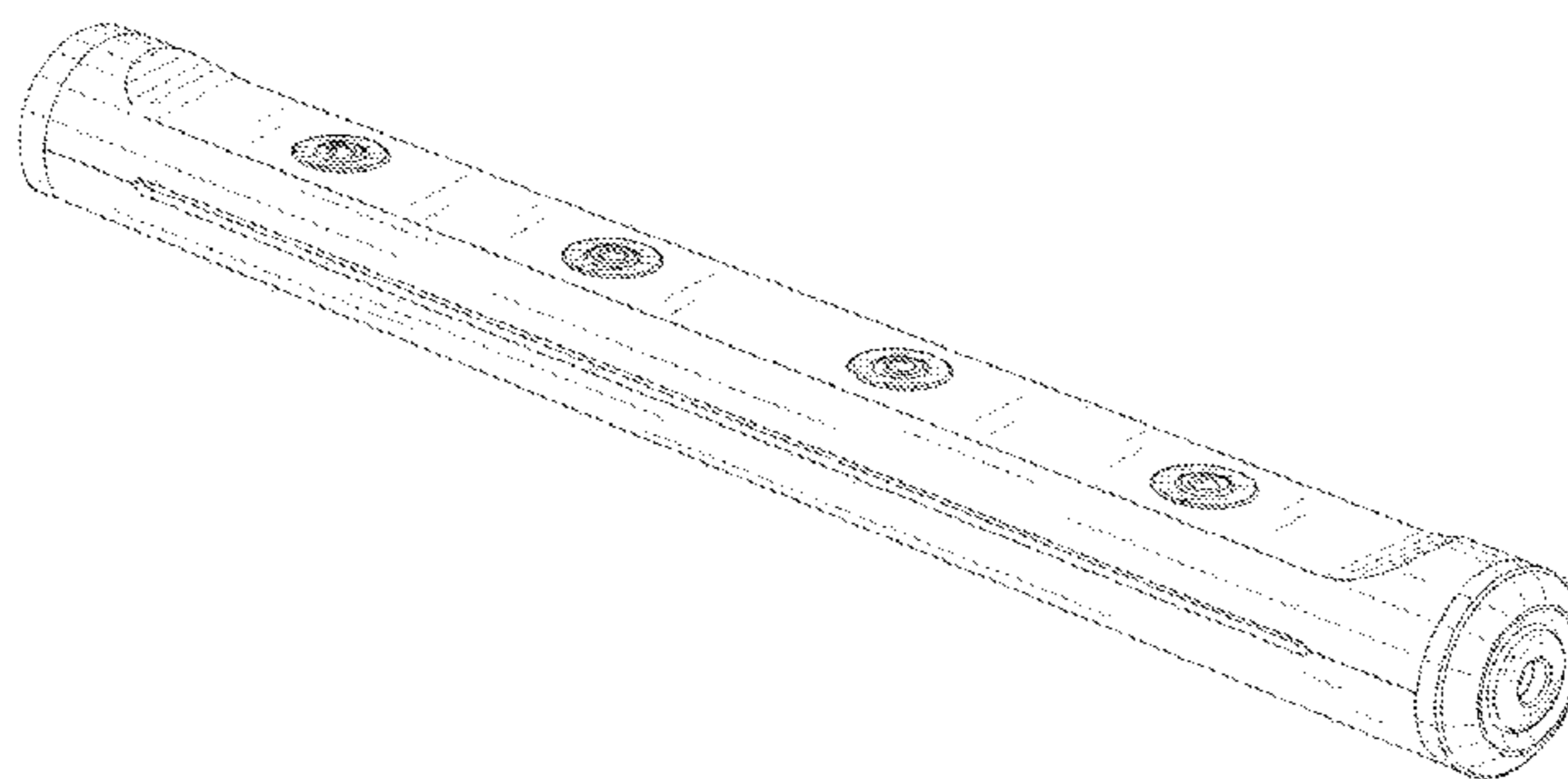
FIG. 5 is a top plan view thereof;

FIG. 6 is a bottom plan view thereof;

FIG. 7 is a perspective view thereof; and,

FIG. 8 is another perspective view thereof.

1 Claim, 3 Drawing Sheets



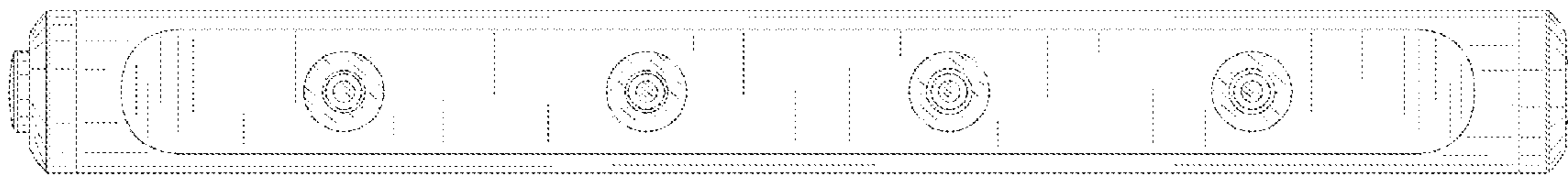


FIG. 1

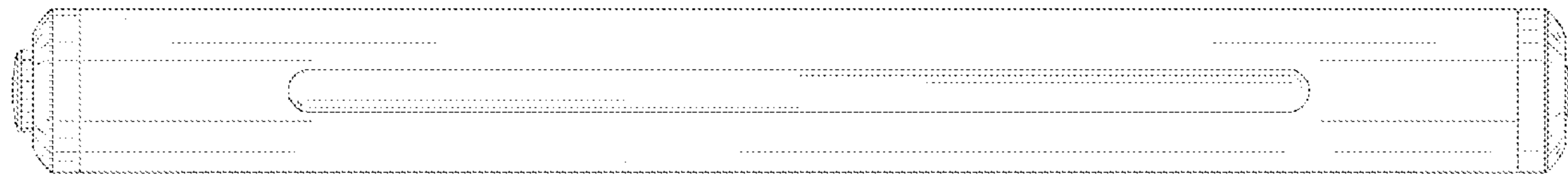


FIG. 2

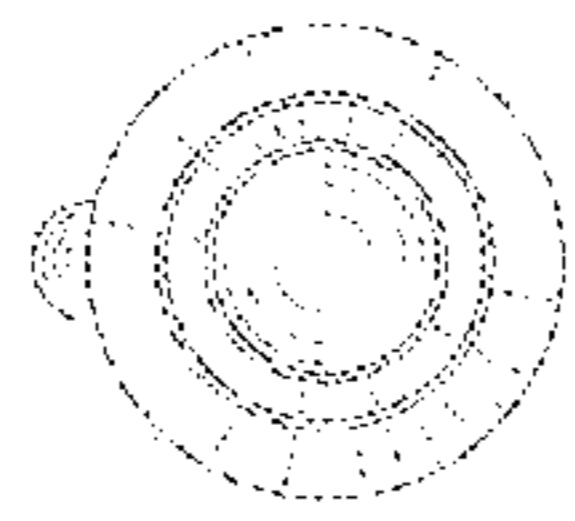


FIG. 3

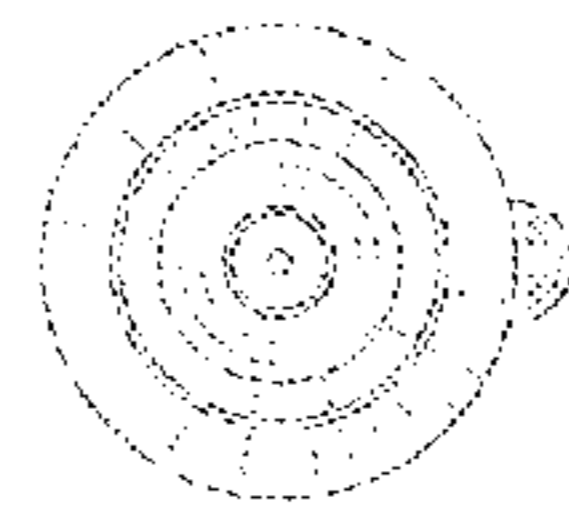


FIG. 4

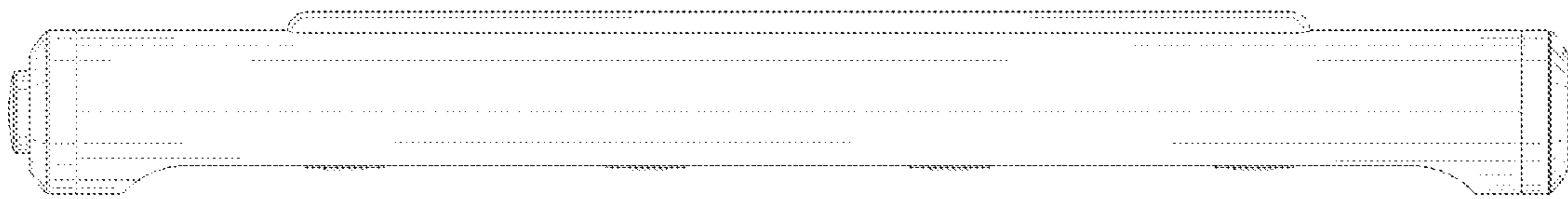


FIG. 5

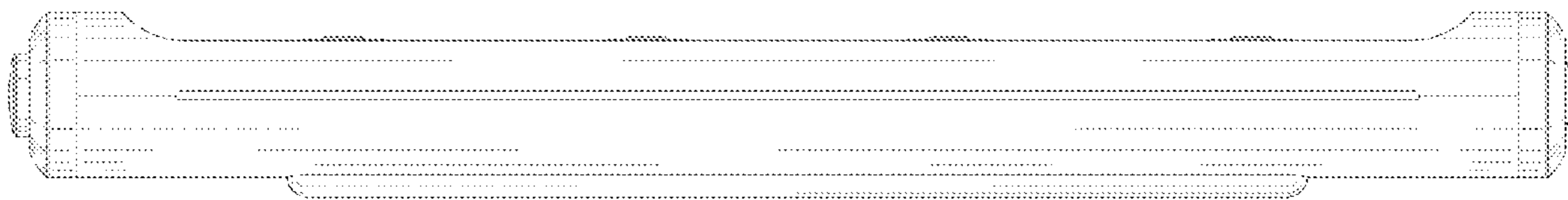


FIG. 6

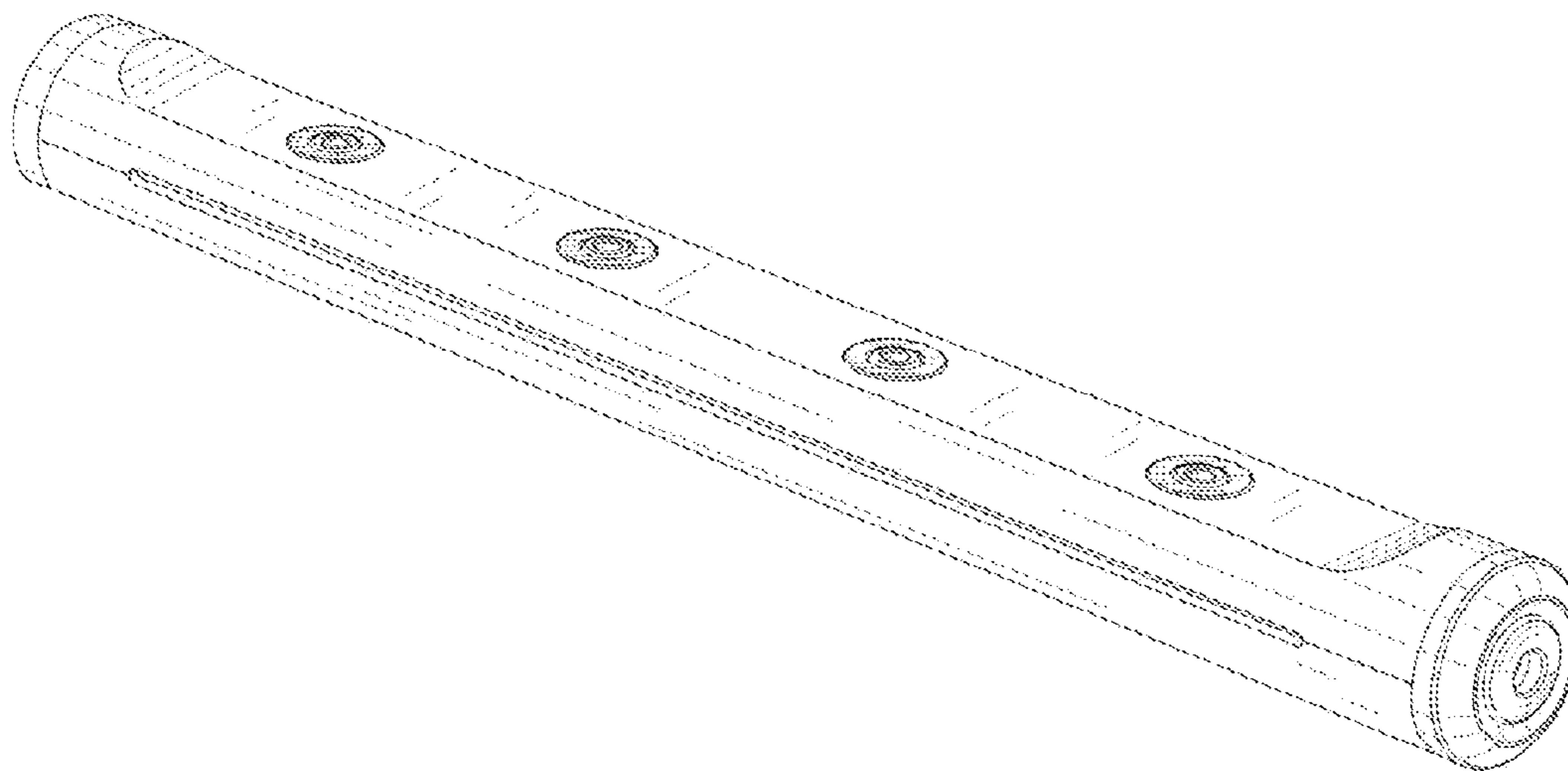


FIG. 7

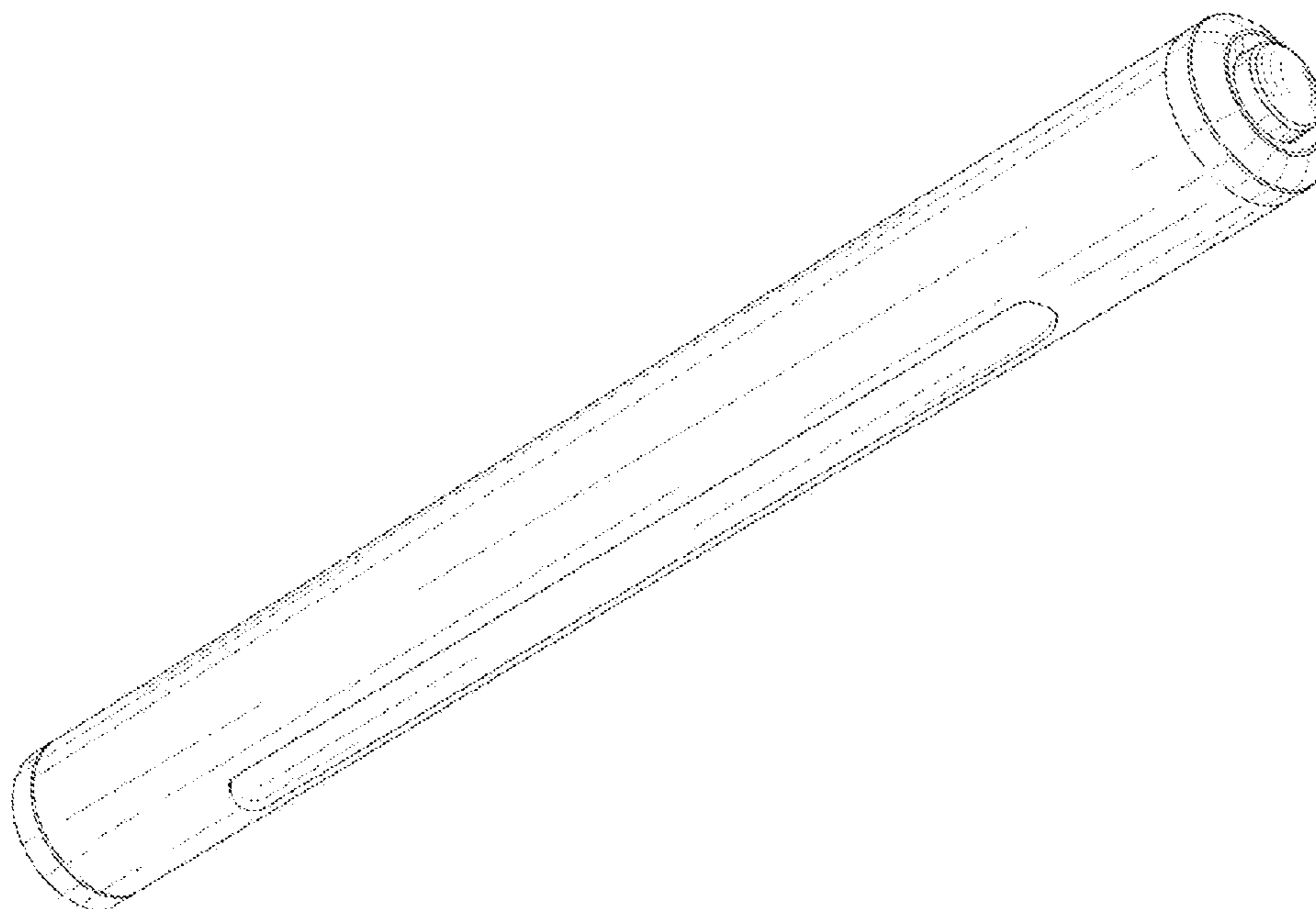


FIG. 8