



US00D607814S

(12) **United States Design Patent**
Tsuzuki et al.

(10) **Patent No.:** **US D607,814 S**
(45) **Date of Patent:** **** Jan. 12, 2010**

(54) **BATTERY PACK**

(75) Inventors: **Hitoshi Tsuzuki**, Hitachinaka (JP);
Kenichi Yamada, Hitachinaka (JP);
Takeshi Taniguchi, Hitachinaka (JP);
Hiroyuki Hanawa, Hitachinaka (JP);
Shigeru Takahashi, Hitachinaka (JP)

(73) Assignee: **Hitachi Koki Co., Ltd.**, Tokyo (JP)

(**) Term: **14 Years**

(21) Appl. No.: **29/327,779**

(22) Filed: **Nov. 13, 2008**

(30) **Foreign Application Priority Data**

May 16, 2008 (JP) 2008-012278

(51) **LOC (9) Cl.** **13-02**

(52) **U.S. Cl.** **D13/103**

(58) **Field of Classification Search** D13/102–108,
D13/110, 118–119, 184; 429/96–100, 163,
429/176

See application file for complete search history.

(56) **References Cited**

U.S. PATENT DOCUMENTS

D481,672 S * 11/2003 Niwa et al. D13/103
D512,961 S * 12/2005 Okuda et al. D13/103
D516,020 S * 2/2006 Wong et al. D13/103
D516,504 S * 3/2006 Okuda et al. D13/103

D545,759 S * 7/2007 Ino et al. D13/103
D550,152 S * 9/2007 Okuda et al. D13/103
D555,086 S * 11/2007 Zhang D13/103
D562,227 S * 2/2008 Yamada et al. D13/103
D568,239 S * 5/2008 Okada et al. D13/103
D580,351 S * 11/2008 Elsmark et al. D13/103
D589,439 S * 3/2009 Van Wambeke D13/103
D589,440 S * 3/2009 Van Wambeke D13/103
D589,441 S * 3/2009 Van Wambeke D13/103

* cited by examiner

Primary Examiner—Rosemary K Tarcza

(74) *Attorney, Agent, or Firm*—Sughrue Mion, PLLC

(57) **CLAIM**

The ornamental design for a battery pack, as shown and described.

DESCRIPTION

FIG. 1 is a left side perspective view of the batter pack according to the present invention;

FIG. 2 is a right side perspective view thereof;

FIG. 3 is a front view thereof;

FIG. 4 is a rear view thereof;

FIG. 5 is a right side view thereof

FIG. 6 is a left side view thereof;

FIG. 7 is a top view thereof; and,

FIG. 8 is a bottom view thereof.

1 Claim, 8 Drawing Sheets





FIG. 1



FIG. 2

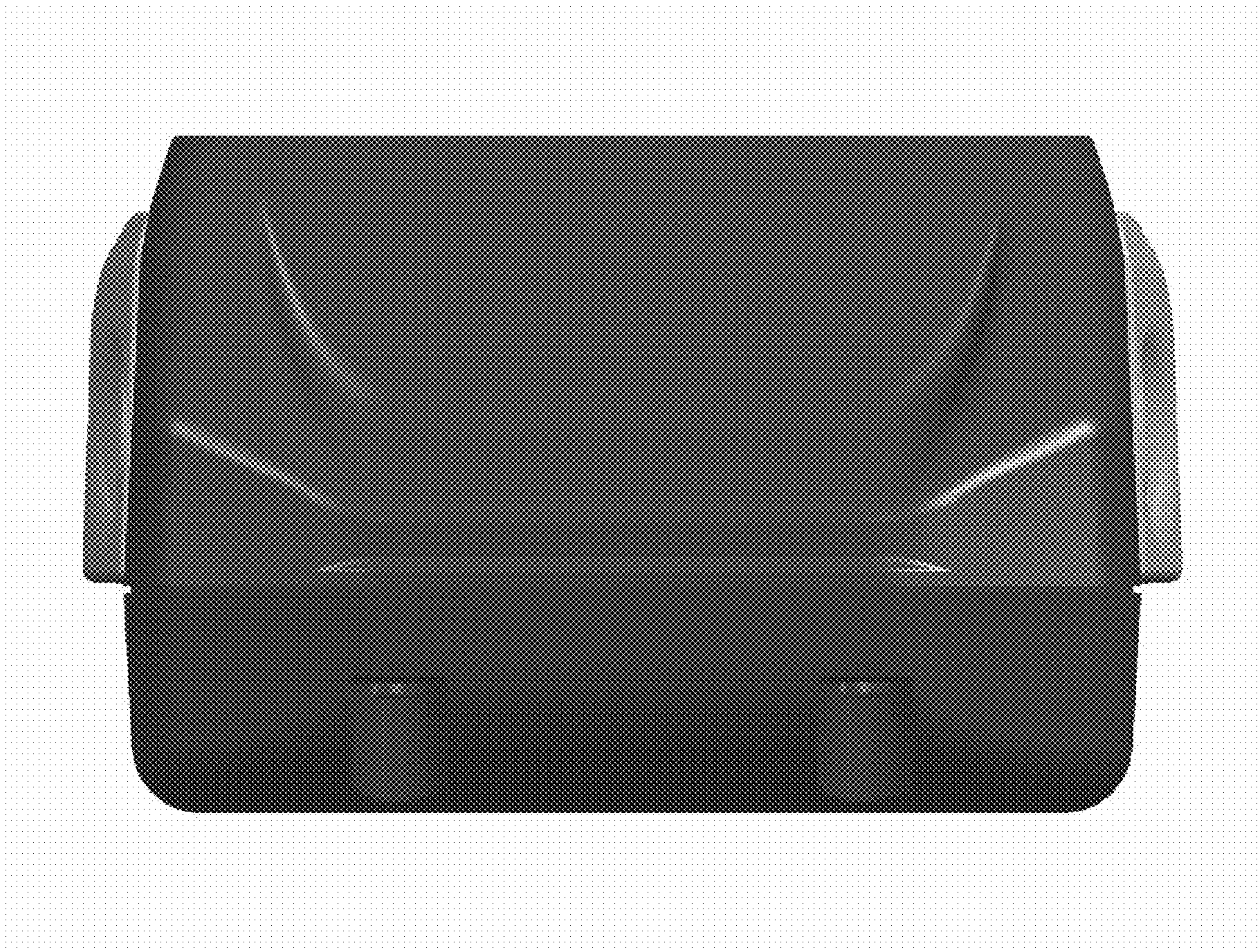


FIG. 3

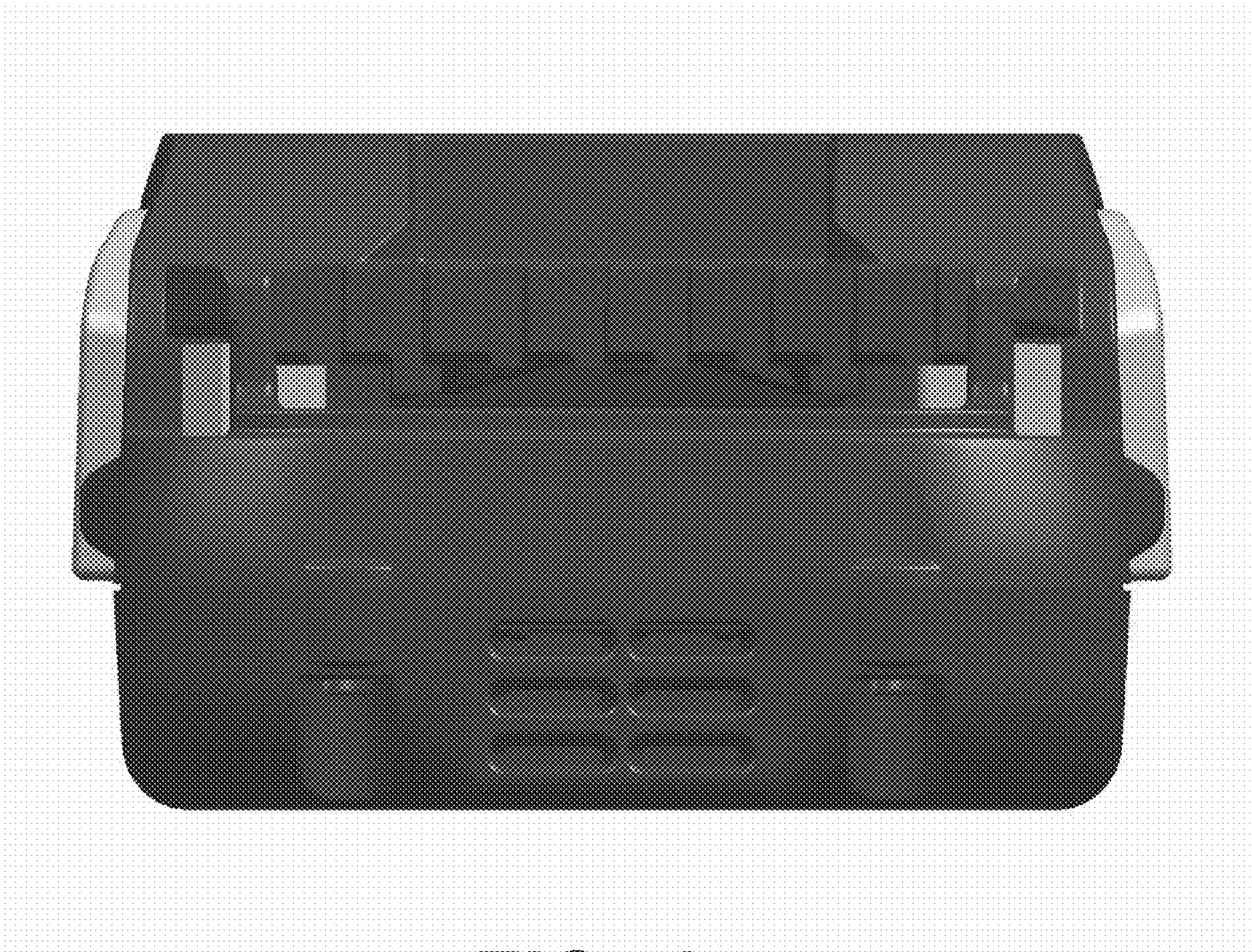


FIG. 4

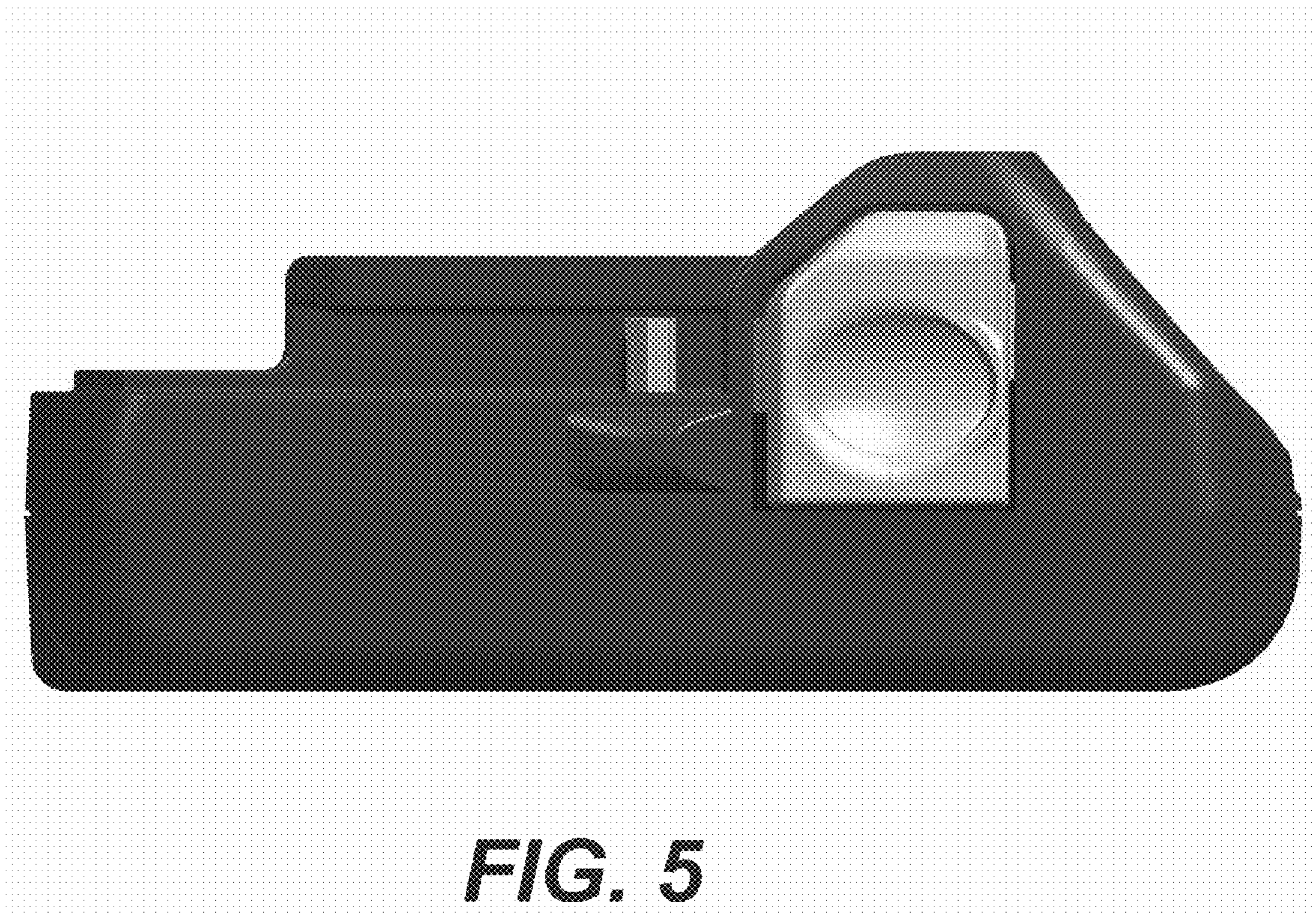


FIG. 5

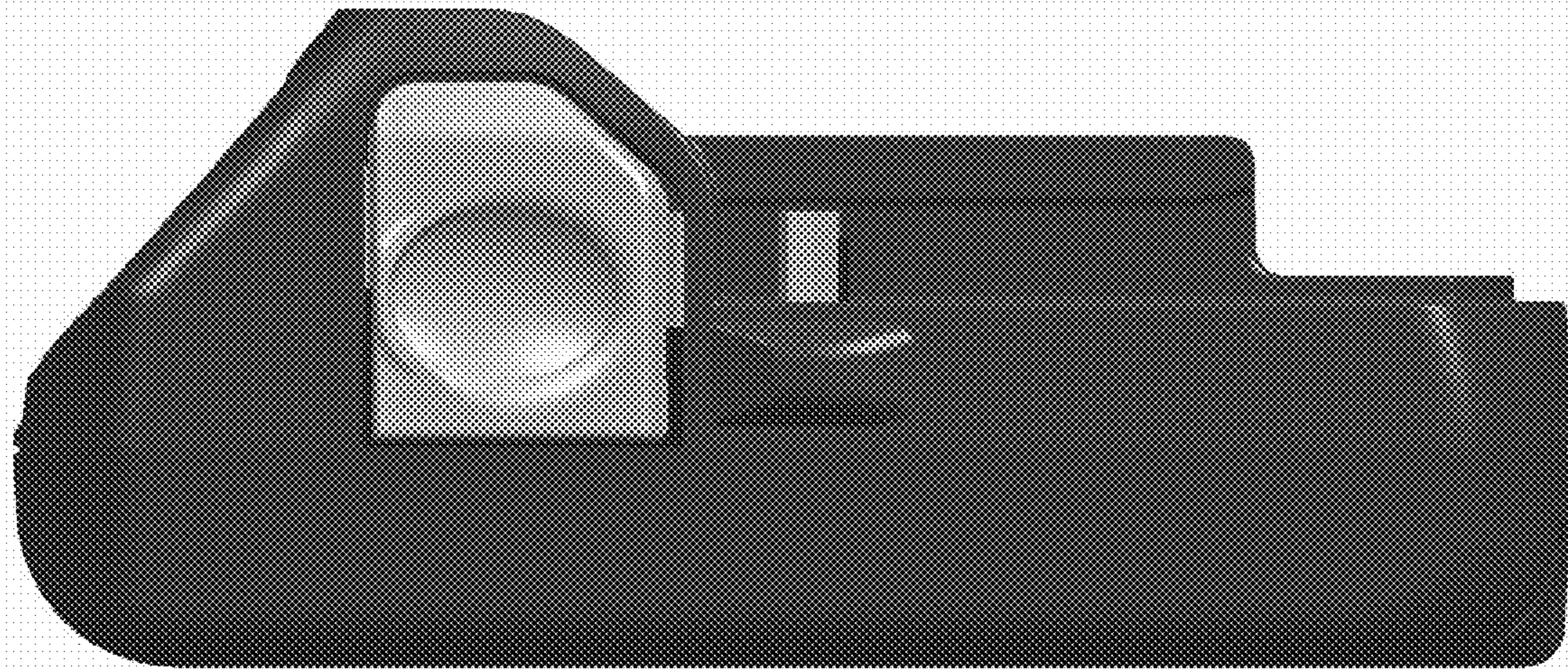


FIG. 6



FIG. 7



FIG. 8