



US00D607813S

(12) **United States Design Patent**
Zhu et al.

(10) **Patent No.:** **US D607,813 S**

(45) **Date of Patent:** **** Jan. 12, 2010**

(54) **SOLAR CHARGER**

(75) Inventors: **YanPing Zhu**, Beijing (CN);
JiangGuang Zhao, Beijing (CN)

(73) Assignee: **France Telecom**, Paris (FR)

(**) Term: **14 Years**

(21) Appl. No.: **29/314,254**

(22) Filed: **Mar. 16, 2009**

(30) **Foreign Application Priority Data**

Sep. 17, 2008 (CN) 2008 3 0143687

(51) **LOC (9) Cl.** **13-02**

(52) **U.S. Cl.** **D13/102**

(58) **Field of Classification Search** D13/102,
D13/101, 103, 107, 108, 199; 136/206, 243,
136/244, 245, 252; 320/101, 102, 114, 115,
320/120

See application file for complete search history.

(56) **References Cited**

U.S. PATENT DOCUMENTS

4,786,851 A * 11/1988 Fuji et al. 320/101
5,522,943 A * 6/1996 Spencer et al. 136/245
D391,921 S * 3/1998 Zimmer et al. D13/102
D395,279 S * 6/1998 Peress et al. D13/107
D467,225 S * 12/2002 Sudo D13/102
D479,191 S * 9/2003 Peress et al. D13/102

D489,680 S * 5/2004 Stobart D13/107
D493,768 S * 8/2004 Lam D13/102
D530,269 S * 10/2006 Fowler et al. D13/102

* cited by examiner

Primary Examiner—Prabhakar Deshmukh

Assistant Examiner—Derrick Holland

(74) *Attorney, Agent, or Firm*—Abelman, Frayne & Schwab

(57) **CLAIM**

The ornamental design for a solar charger, as shown and described.

DESCRIPTION

FIG. 1 is a top, front and right side perspective view of a solar charger showing our new design, in a closed position;

FIG. 2 is a front elevational view thereof;

FIG. 3 is a rear elevational view thereof;

FIG. 4 is a left side elevational view thereof;

FIG. 5 is a right side elevational view thereof;

FIG. 6 is a top plan view thereof;

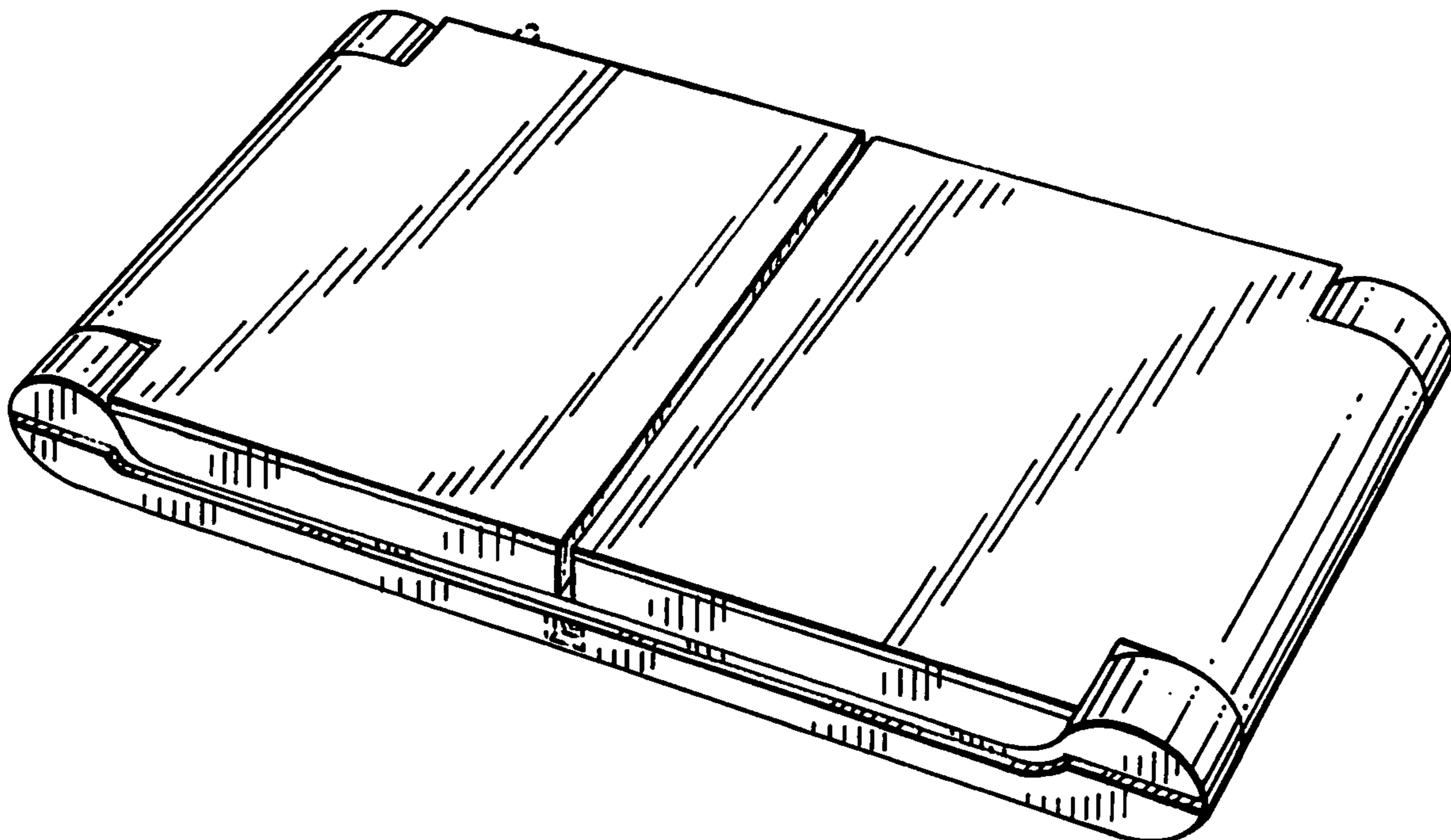
FIG. 7 is a bottom plan view thereof;

FIG. 8 is a top plan view thereof, in an open condition; and,

FIG. 9 is a front elevational view thereof.

The broken lines shown represent unclaimed subject matter and form no part of the claimed design.

1 Claim, 4 Drawing Sheets



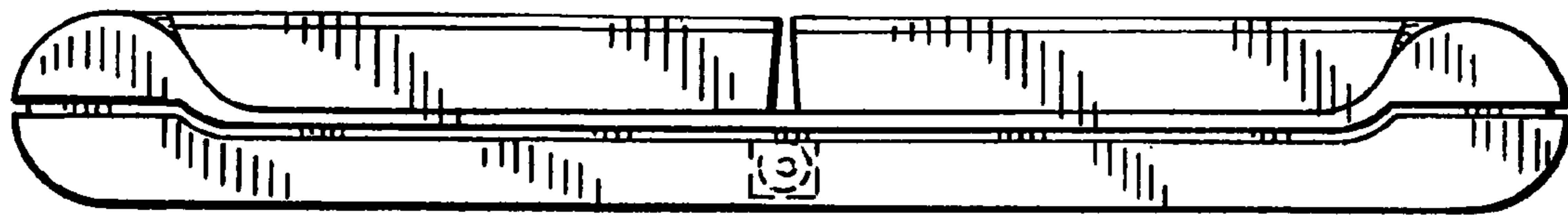
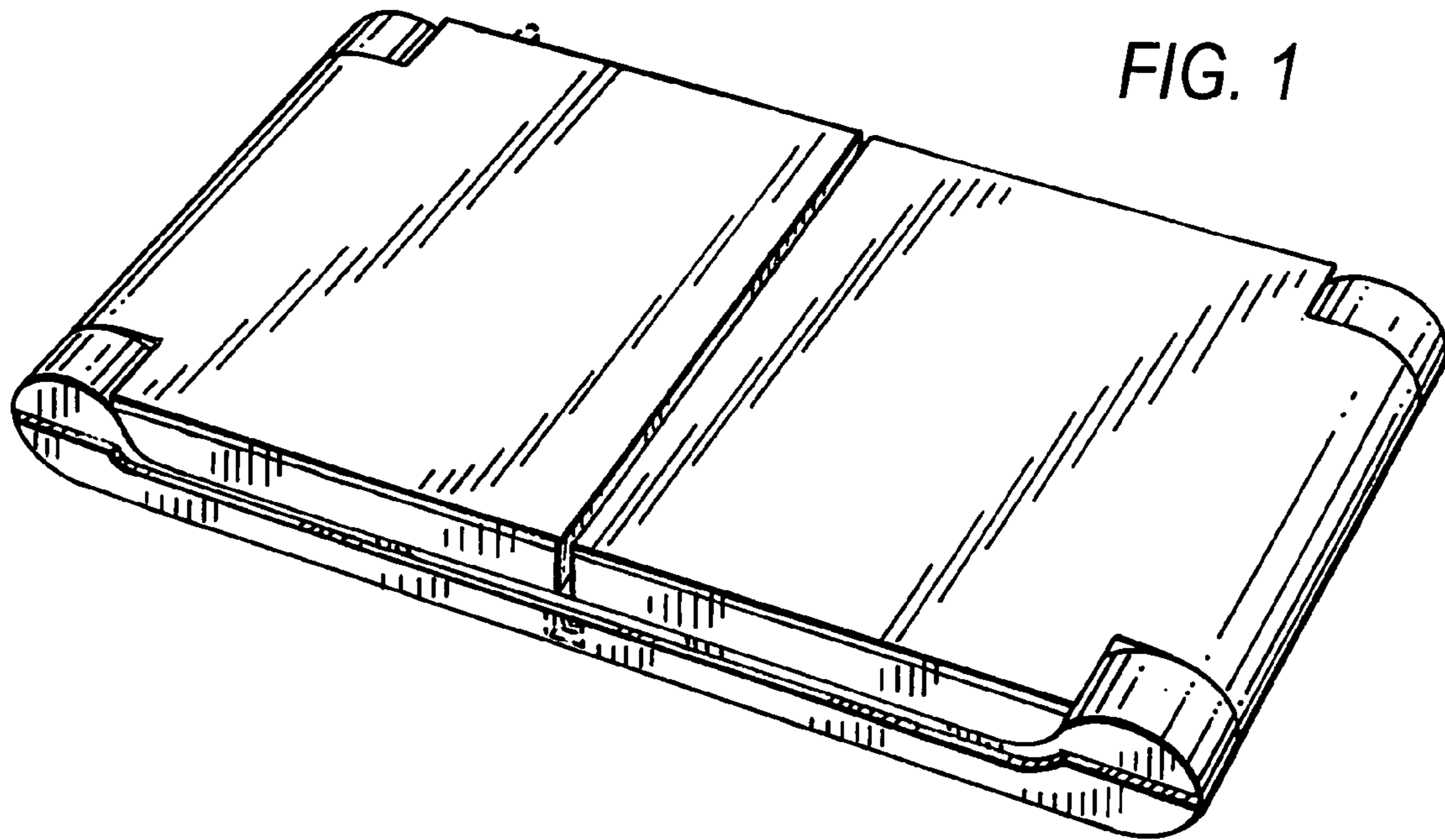


FIG. 3

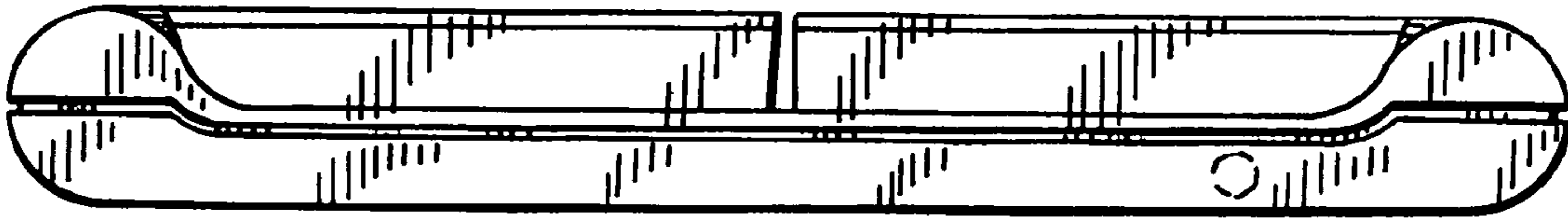


FIG. 4

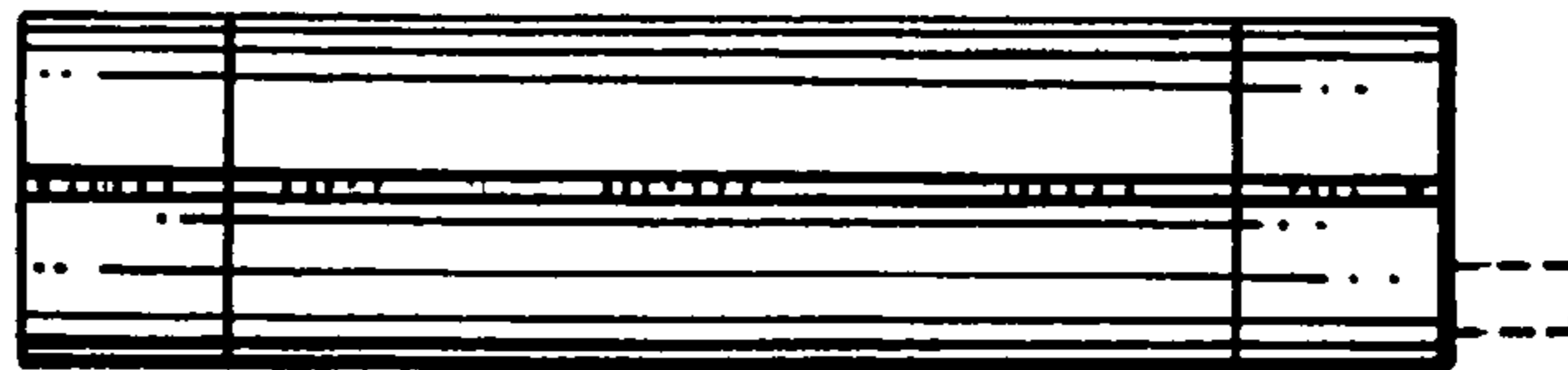
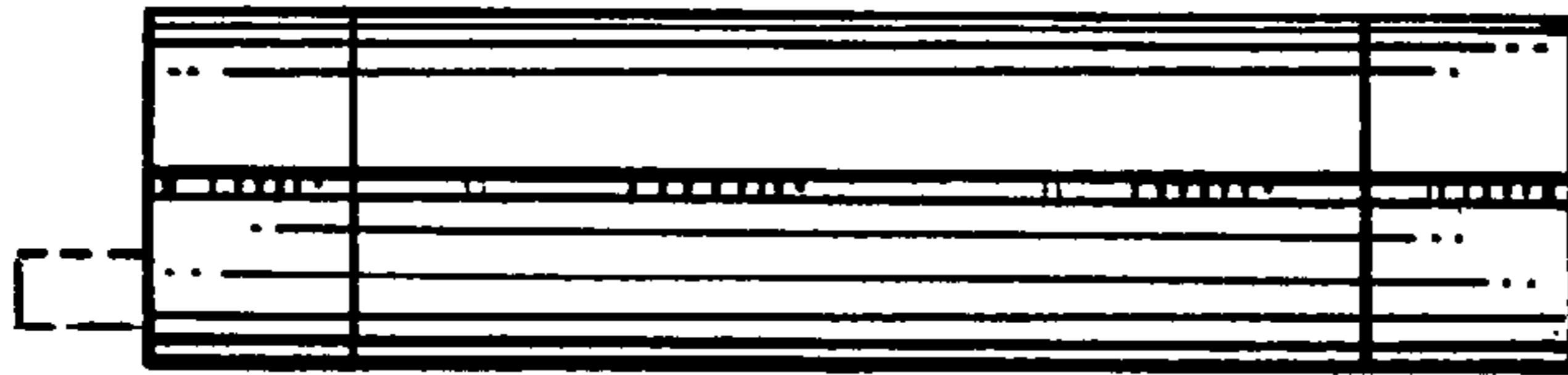


FIG. 5

FIG. 6

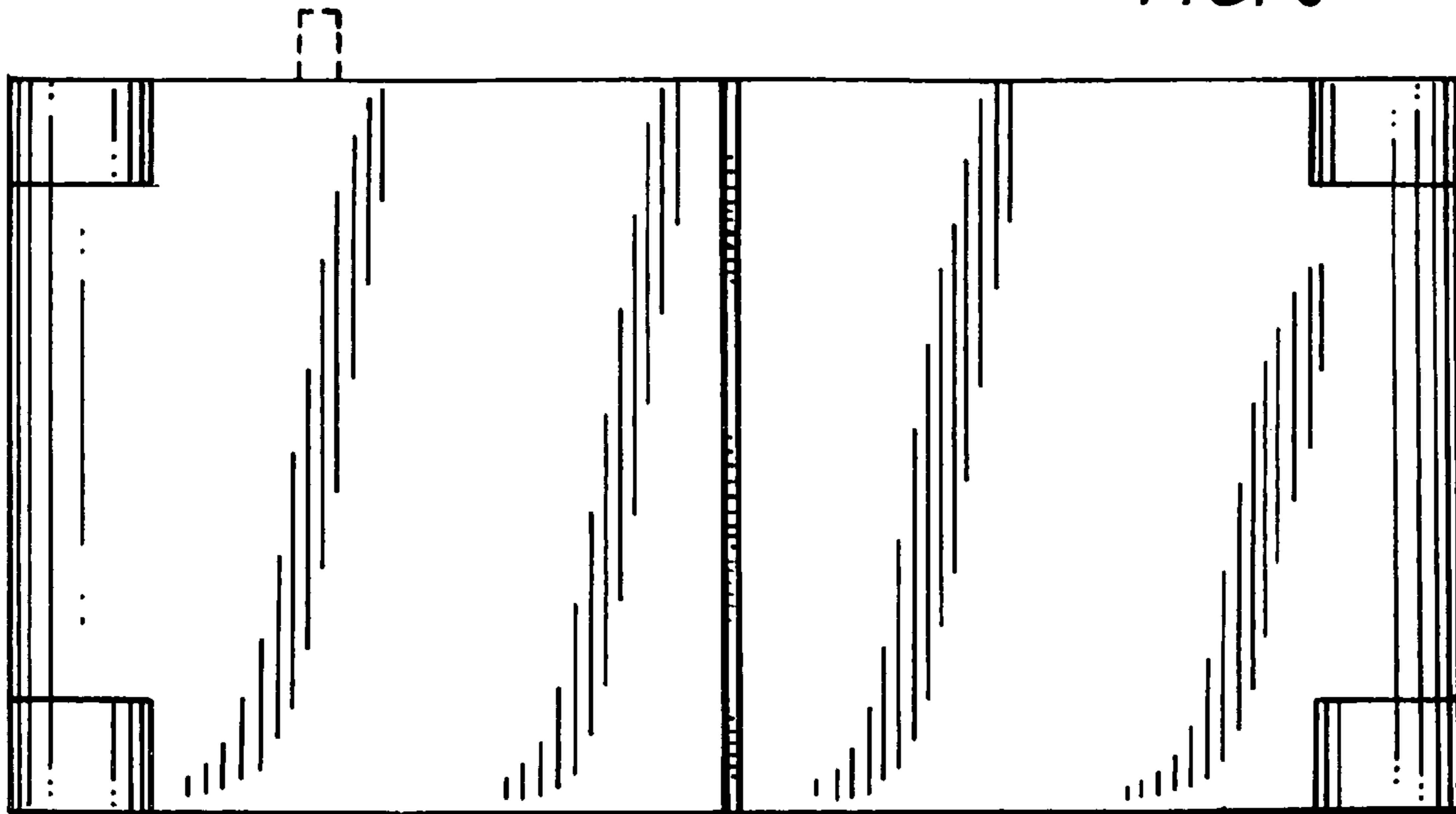


FIG. 7

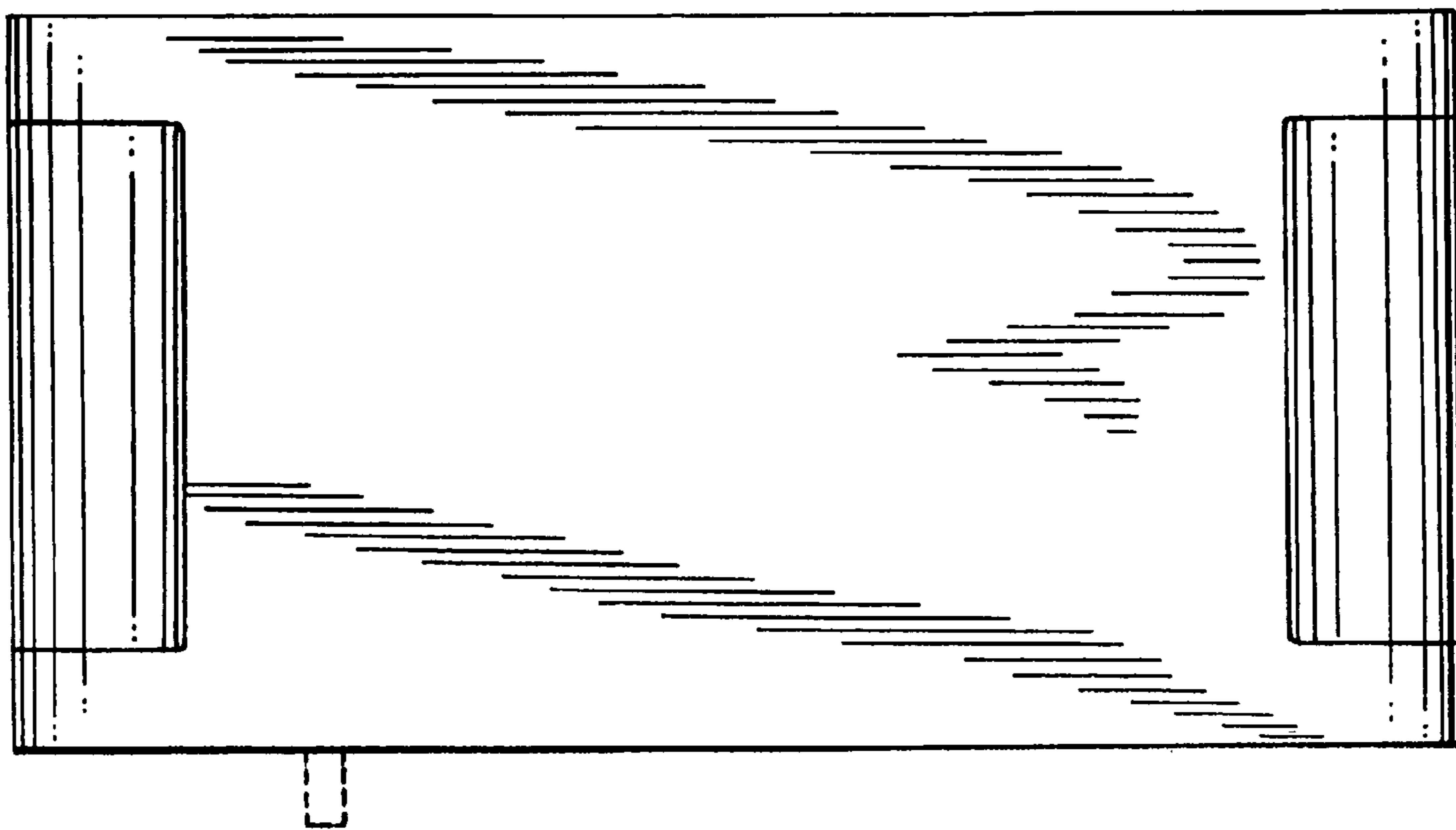


FIG. 8

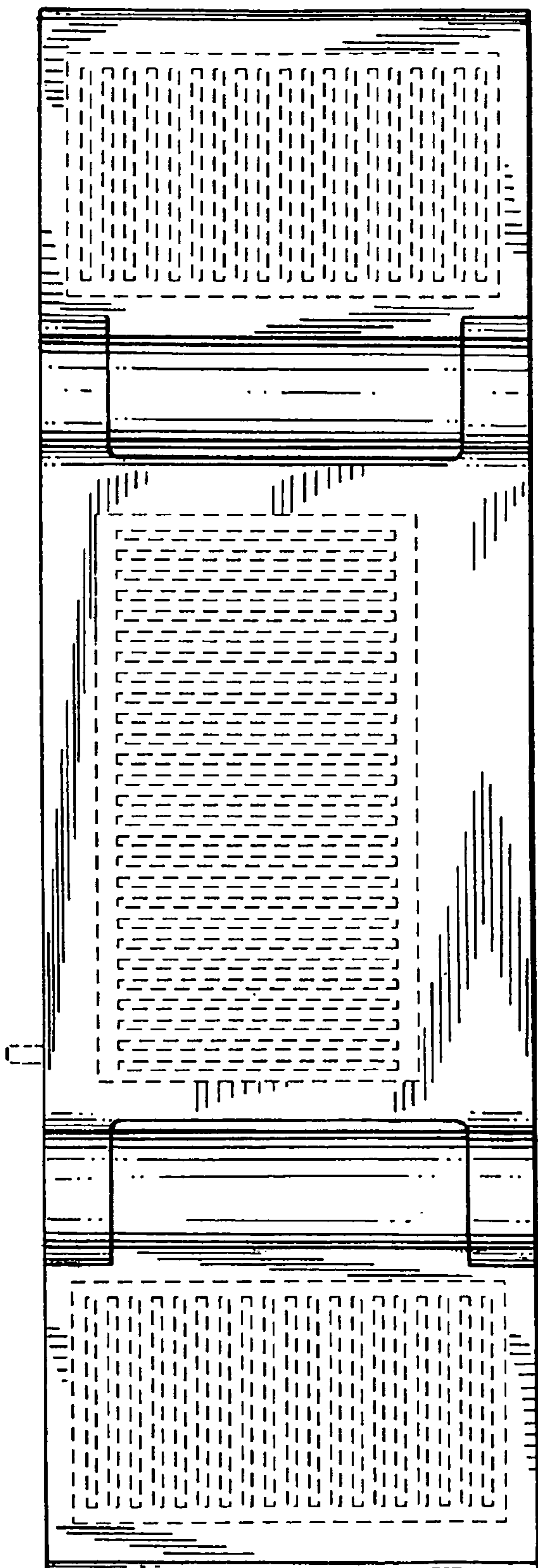


FIG. 9

