

US00D607810S

(12) **United States Design Patent**  
**Oizumi et al.**

(10) **Patent No.:** **US D607,810 S**  
(45) **Date of Patent:** **\*\* Jan. 12, 2010**

(54) **AUTOMOBILE TIRE TREAD**

JP 1335971 7/2008

(75) Inventors: **Naoya Oizumi**, Hiratsuka (JP); **Takumi Morito**, Tokyo (JP)

**OTHER PUBLICATIONS**

(73) Assignee: **The Yokohama Rubber Co., Ltd.** (JP)

Michelin Alpine A3, Michelin Winterreifen Programm Jul. 2006, Jul. 2006, p. 6.  
Bridgestone Blizzak LM20, Bridgestone Passion for Excellence, 2006.  
Yokohama Rubber Co. Ltd., Unpublished Application No. JP2008-32022, filed Dec. 17, 2008.

(\*\*) Term: **14 Years**

\* cited by examiner

(21) Appl. No.: **29/340,337**

(22) Filed: **Jul. 16, 2009**

*Primary Examiner*—Stacia Cadmus

(74) *Attorney, Agent, or Firm*—Saidman DesignLaw Group

(51) **LOC (9) Cl.** ..... **12-15**

(52) **U.S. Cl.** ..... **D12/552**

(58) **Field of Classification Search** ..... D12/533,  
D12/551–567, 900–901, 586–591; 152/209.1,  
152/209.8–209.19, 209.25–209.28

(57) **CLAIM**

The ornamental design for an automobile tire tread, as shown and described.

See application file for complete search history.

**DESCRIPTION**

(56) **References Cited**

FIG. 1 is a front perspective view of an automobile tire showing our new design;

**U.S. PATENT DOCUMENTS**

FIG. 2 is a front view thereof; top plan and bottom plan views are the same as the front view;

D491,881 S *	6/2004	Ebiko et al.	.....	D12/551
D514,059 S *	1/2006	Dixon	.....	D12/552
D528,499 S *	9/2006	Creech et al.	.....	D12/551
D530,263 S *	10/2006	Creech et al.	.....	D12/551
D579,407 S *	10/2008	Creech et al.	.....	D12/551
D579,859 S *	11/2008	Umstot et al.	.....	D12/551
D580,848 S *	11/2008	Hutz	.....	D12/551
D588,525 S *	3/2009	Tanaka	.....	D12/551

FIG. 3 is a rear view thereof;

**FOREIGN PATENT DOCUMENTS**

JP	895447	4/1994
JP	901614	6/1994
JP	955670	6/1996
JP	968413	11/1996
JP	1075795	6/2000
JP	1159762	12/2002
JP	1176689	6/2003
JP	1188574	10/2003

FIG. 4 is a left side view thereof; a right side view is a mirror image of the left side view;

FIG. 5 is an enlarged fragmentary perspective view thereof, taken along lines 5—5 and in the direction of arrows in FIG. 1;

FIG. 6 is an enlarged fragmentary front view thereof, taken along lines 6—6 and in the direction of arrows in FIG. 2; and,

FIG. 7 is a fragmentary perspective reference view thereof showing a tilted surface of a block in detail.

The broken lines shown in the drawings are for illustrative purposes only and form no part of the claimed design.

**1 Claim, 6 Drawing Sheets**

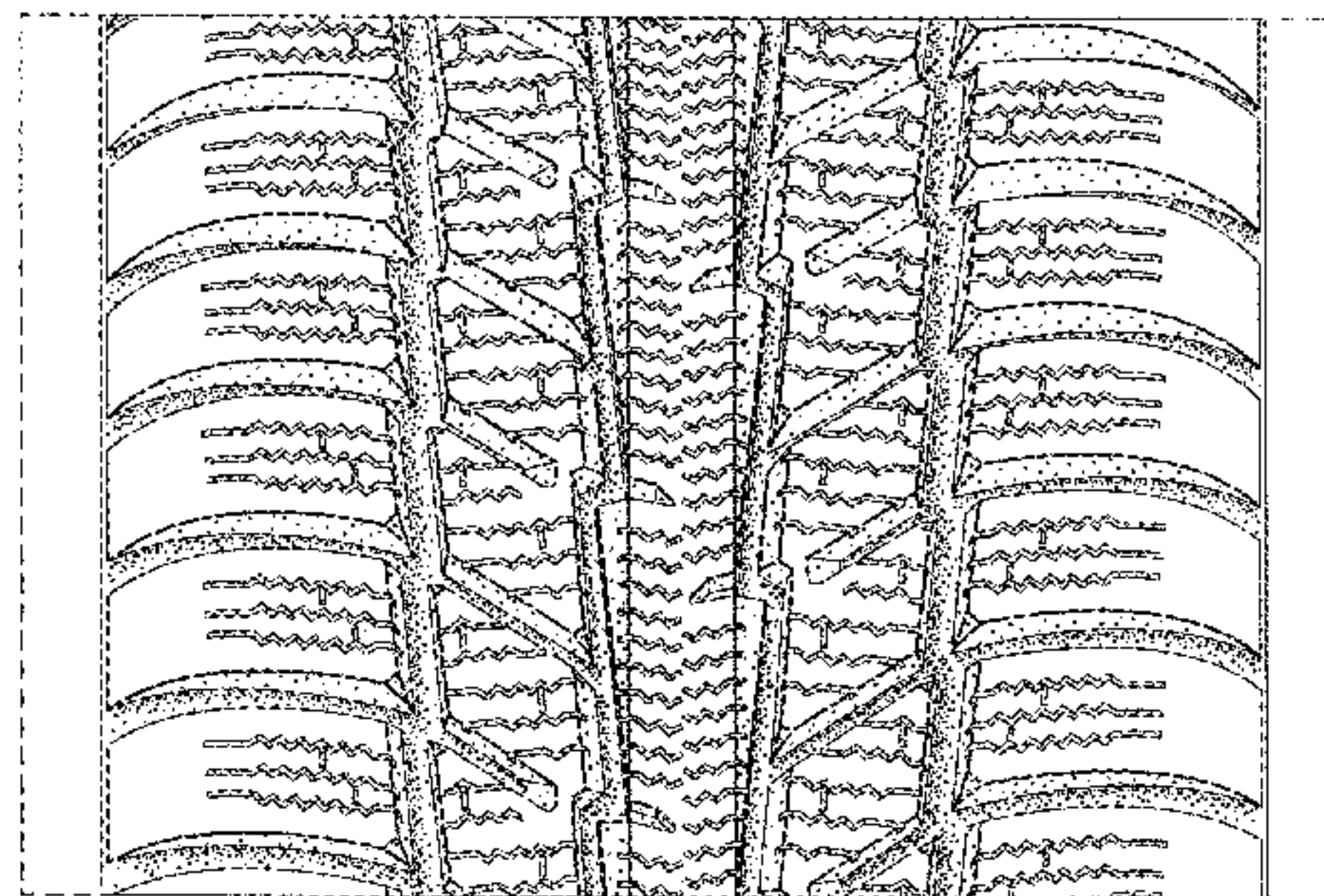
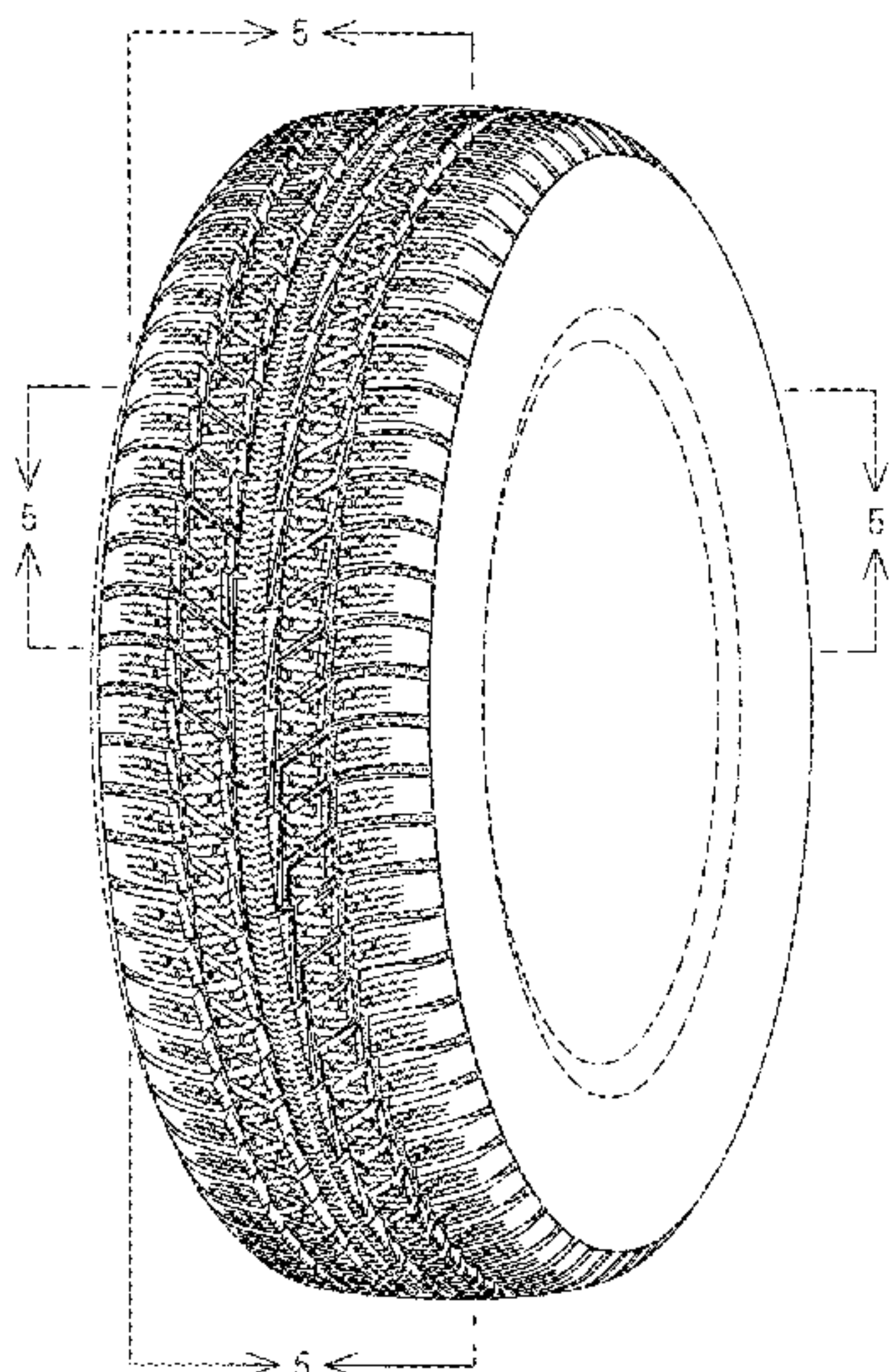




Fig. 1

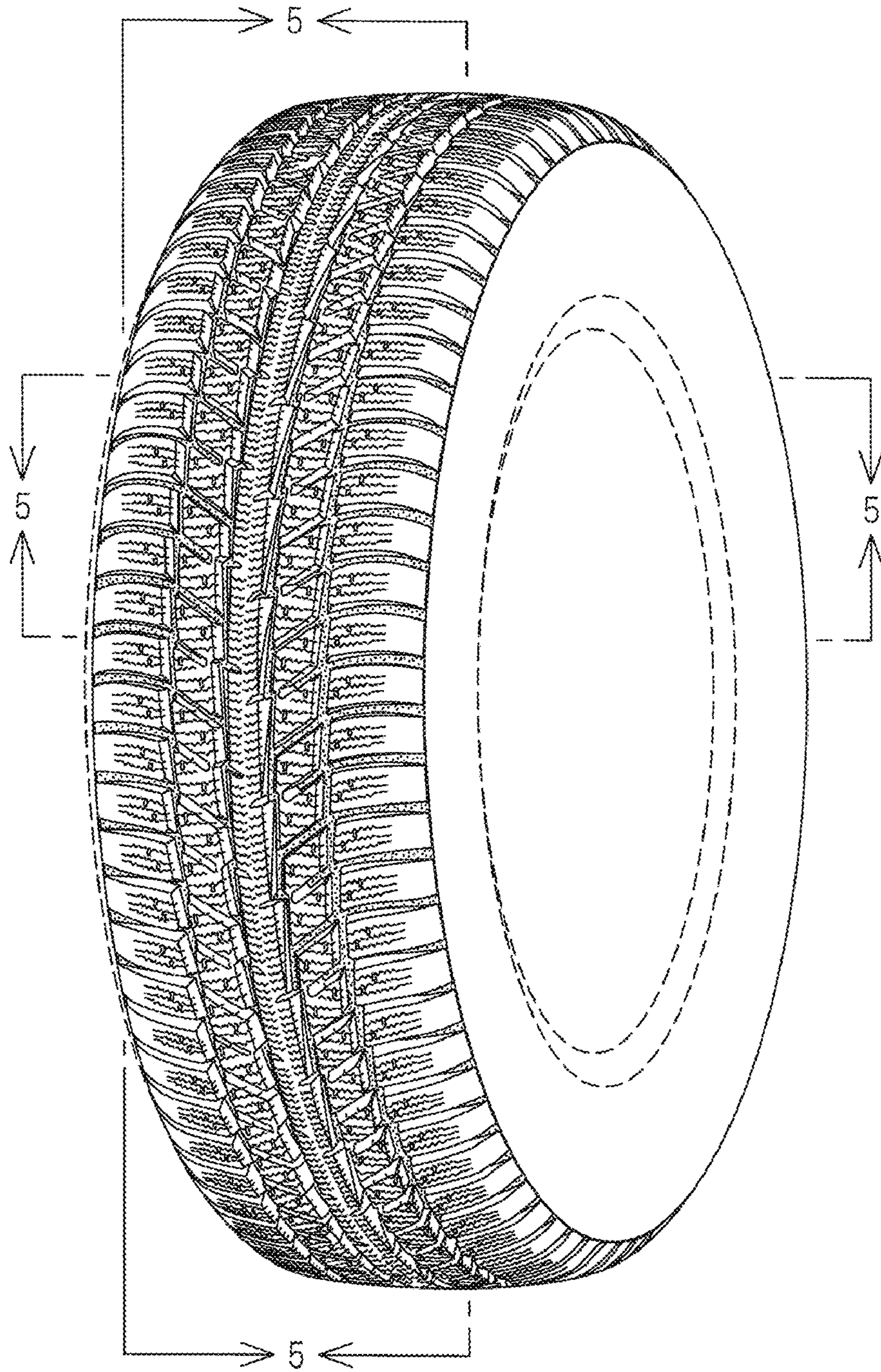




Fig.2

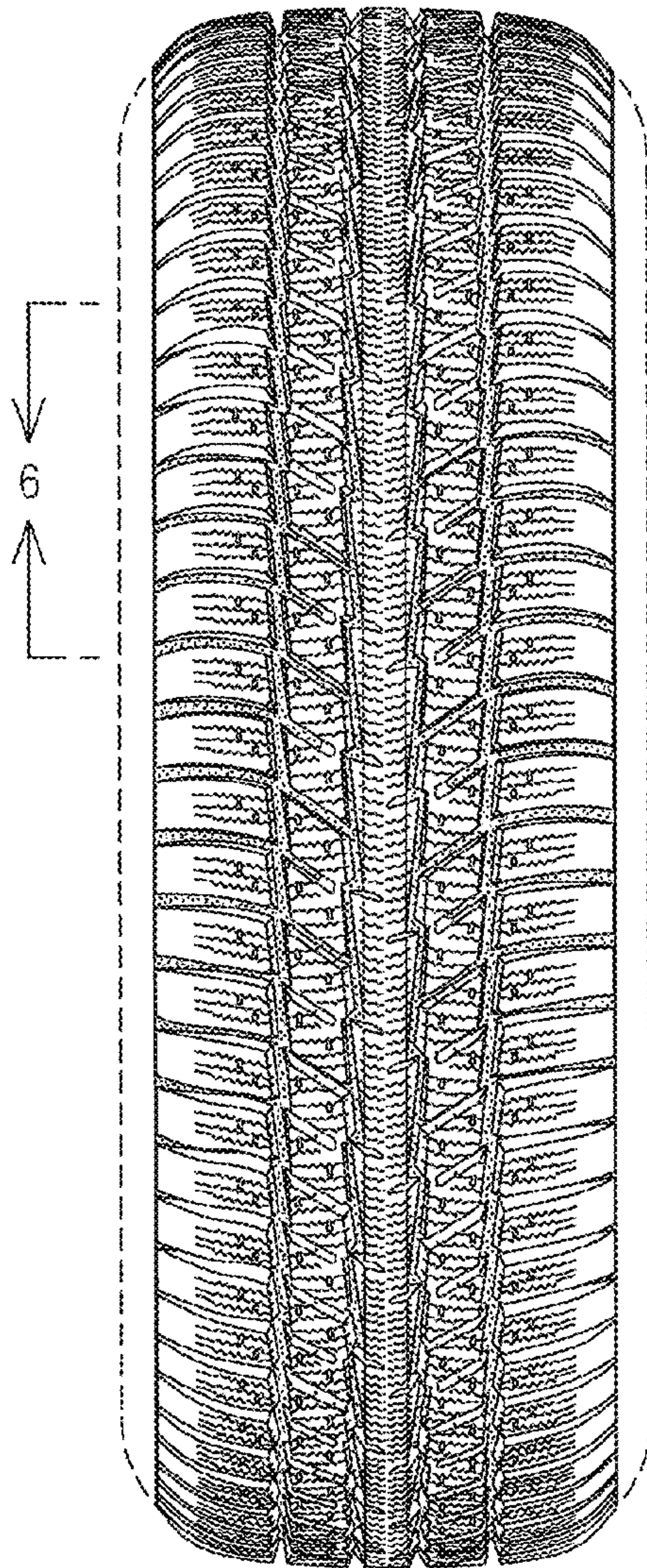


Fig.3

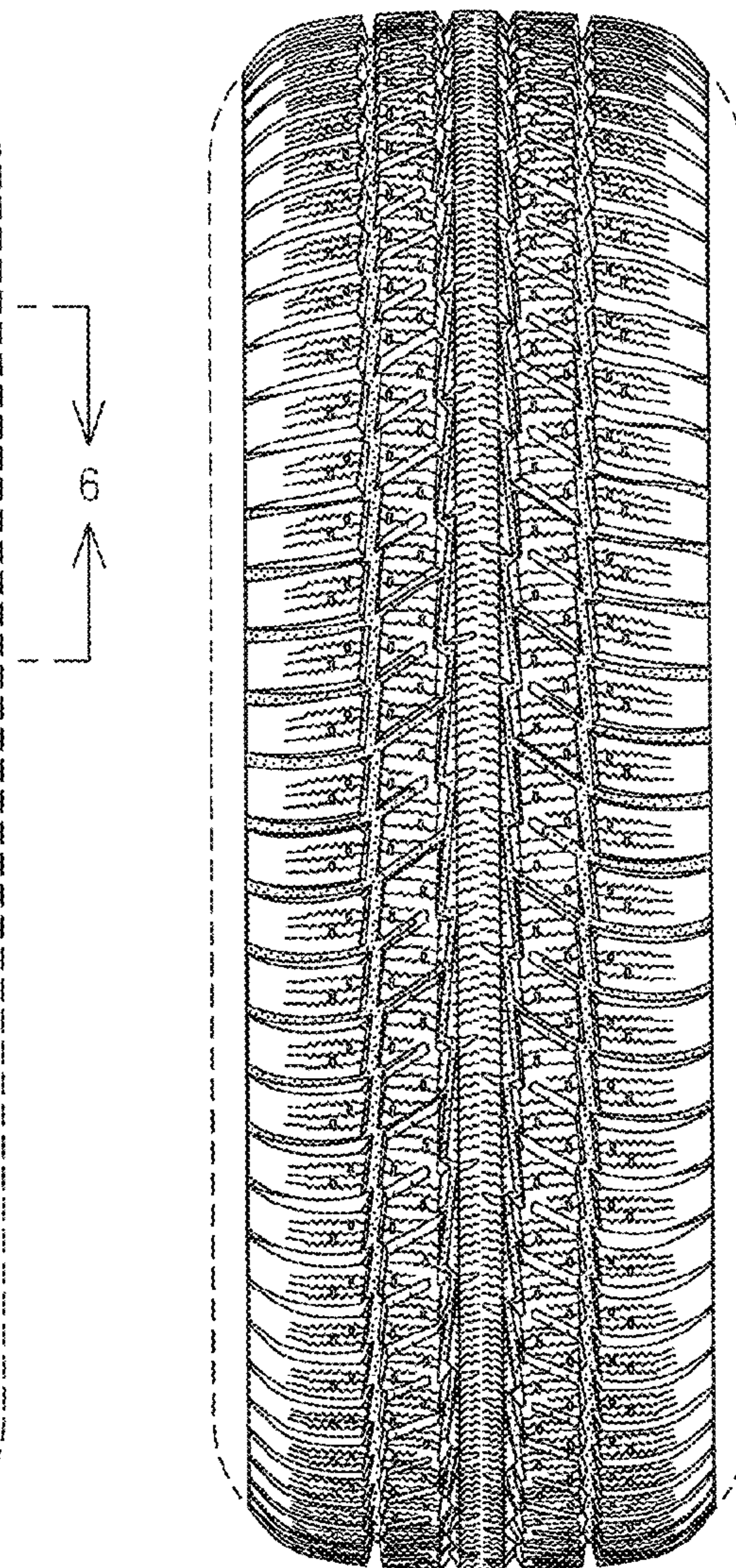




Fig.4

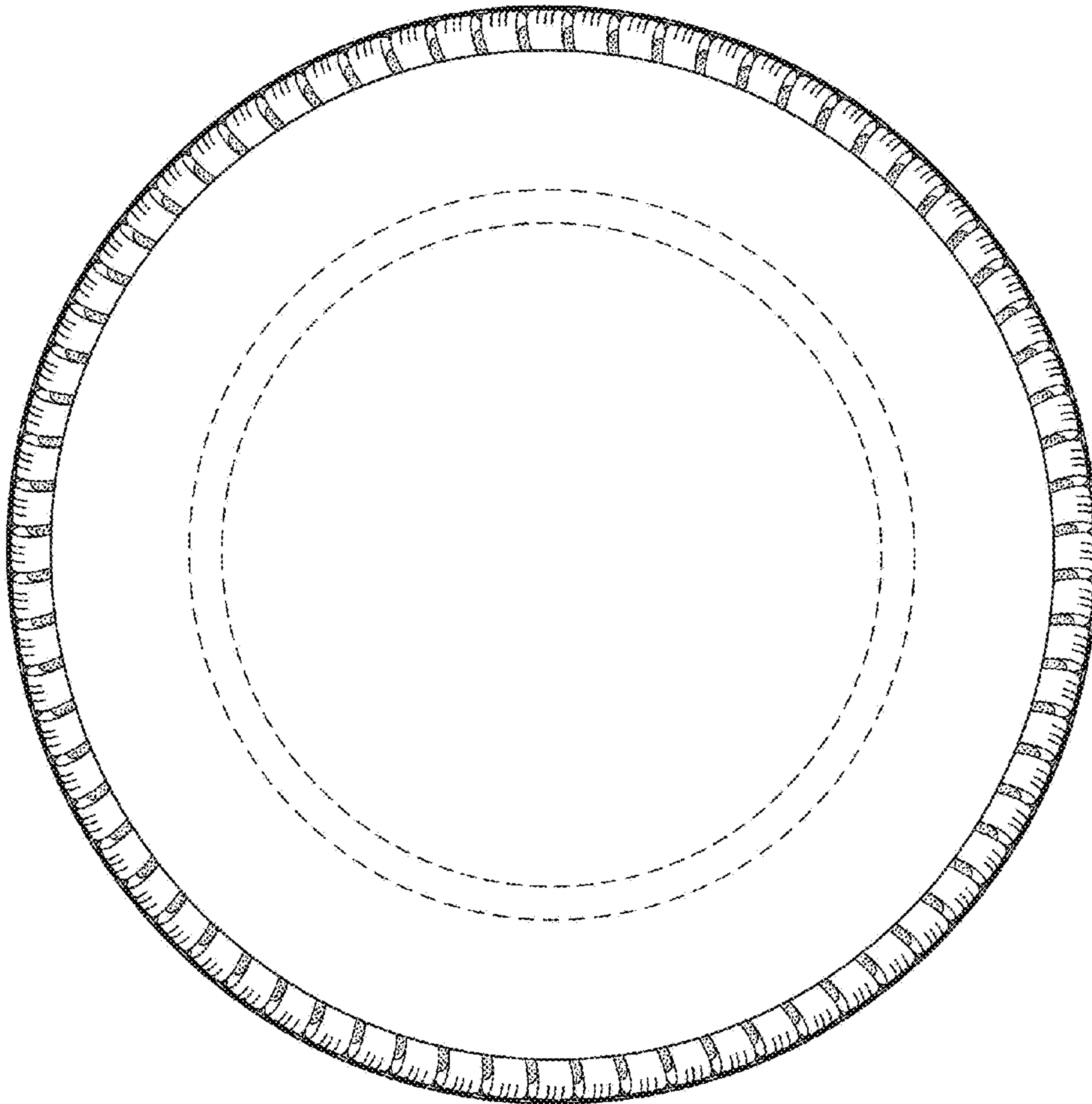


Fig.5

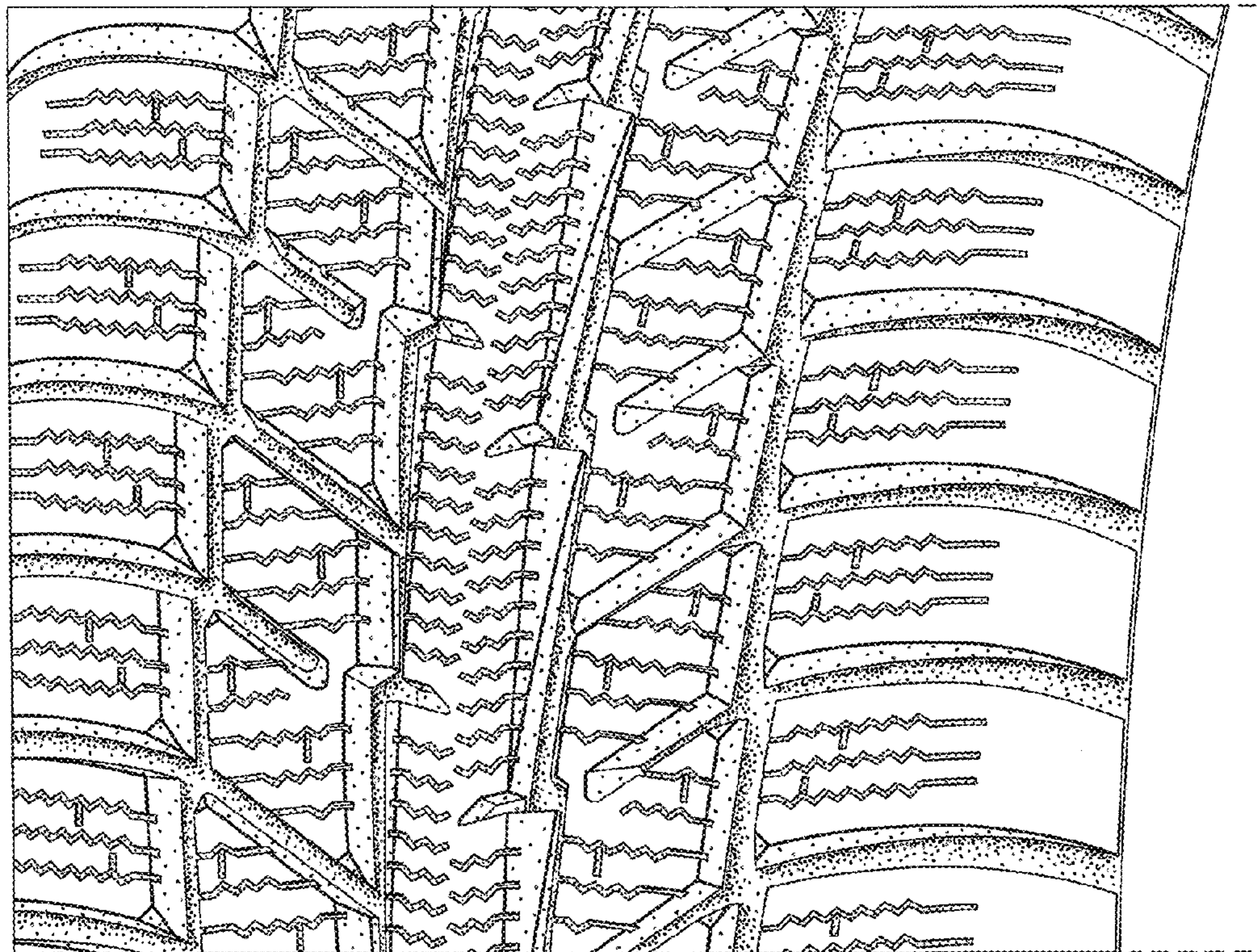




Fig.6

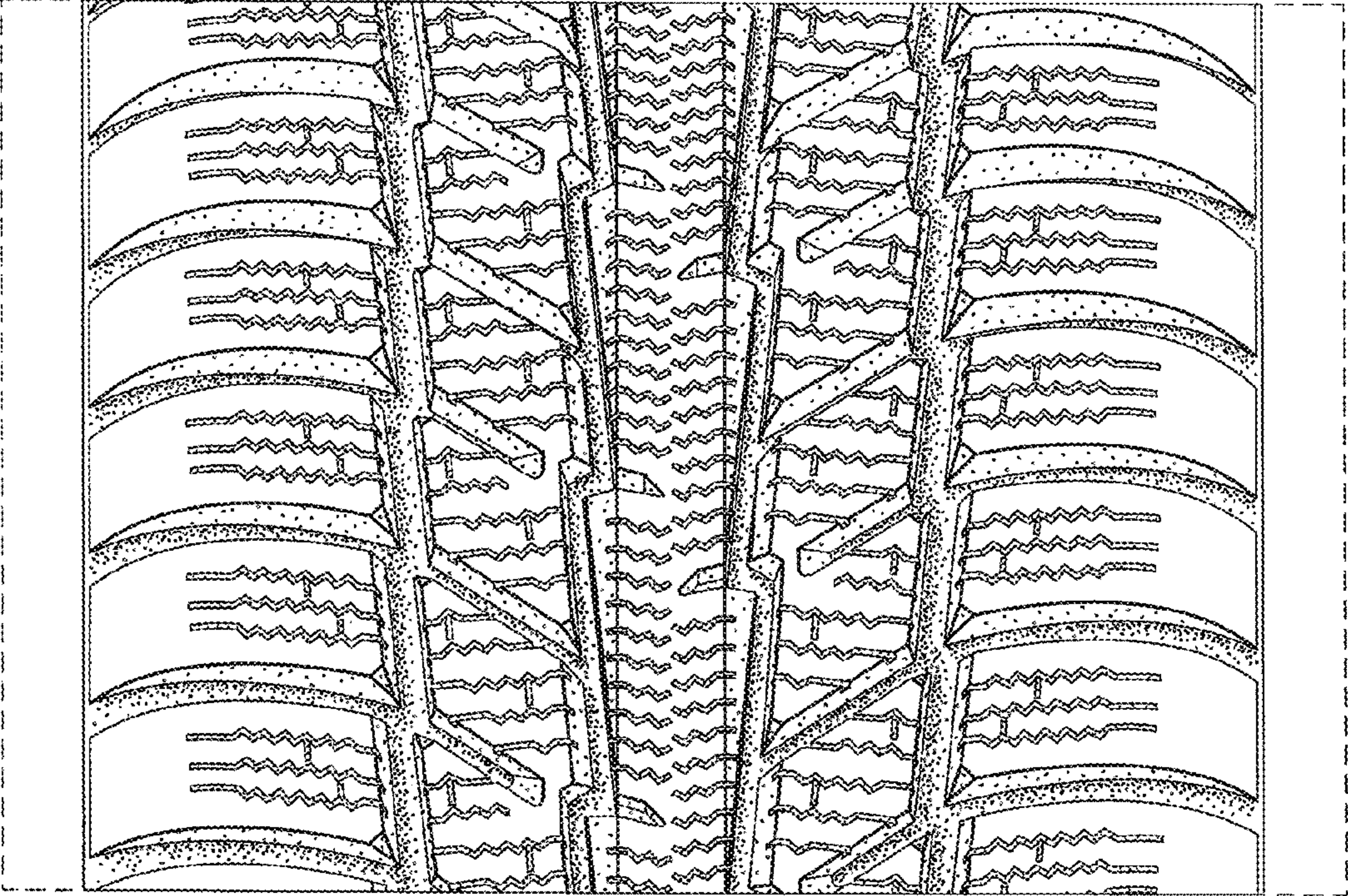




Fig.7

