



US00D607809S

(12) **United States Design Patent**
Fontaine et al.

(10) **Patent No.:** **US D607,809 S**

(45) **Date of Patent:** **** Jan. 12, 2010**

(54) **TIRE**

D586,725 S * 2/2009 Fontaine et al. D12/519
D597,474 S * 8/2009 Yamakawa et al. D12/523

(75) Inventors: **Sebastien Willy Fontaine**, Oberfeulen (LU); **Yacine Ouyahia**, Bereldange (LU); **Percy Anthony Lemaire**, Arlon (BE); **Andreas Sieber**, Merzig (DE); **Gilles Bonnet**, Niederfeulen (LU)

* cited by examiner

Primary Examiner—Stacia Cadmus

(74) *Attorney, Agent, or Firm*—Richard B. O’Planick

(73) Assignee: **The Goodyear Tire & Rubber Company**, Akron, OH (US)

(57) **CLAIM**

The ornamental design for a tire, as shown and described.

(**) Term: **14 Years**

DESCRIPTION

(21) Appl. No.: **29/341,916**

FIG. 1 is a perspective view of a tire showing our new design, it being understood that the pattern repeats uniformly throughout the circumference of the tread;

(22) Filed: **Aug. 14, 2009**

FIG. 2 is a front elevational view thereof;

(51) **LOC (9) Cl.** **12-15**

FIG. 3 is a right side elevational view thereof;

(52) **U.S. Cl.** **D12/523**

FIG. 4 is a left side elevational view being thereof

(58) **Field of Classification Search** D12/505–532,
D12/551, 555, 586, 589–590, 900–901; 152/209.1,
152/209.8–209.19, 209.25–209.28

FIG. 5 is an enlarged fragmentary front elevational view thereof;

See application file for complete search history.

FIG. 6 is a perspective view of a second embodiment of a tire showing our new design, it being understood that the pattern repeats uniformly throughout the circumference of the tread; and,

(56) **References Cited**

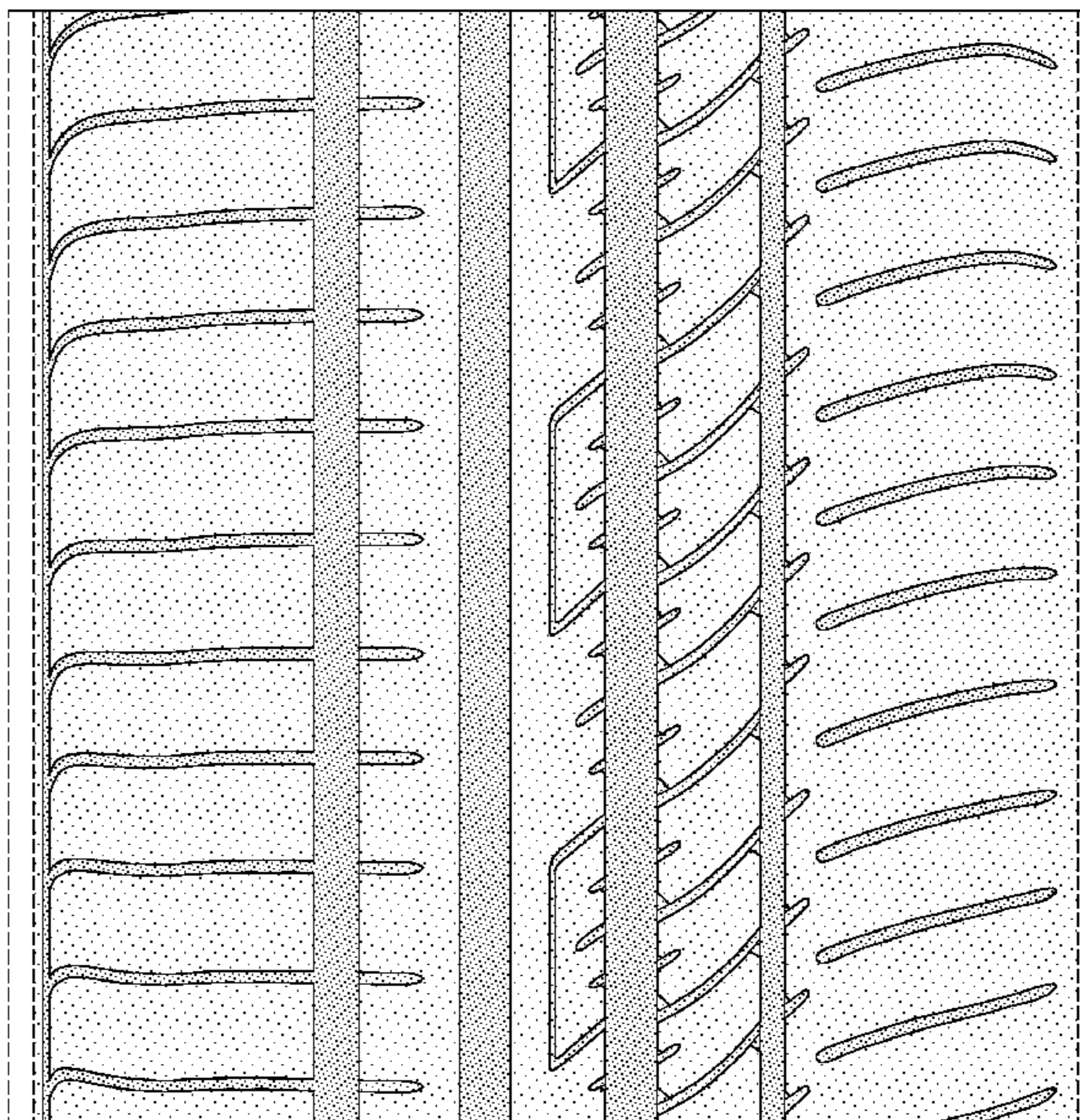
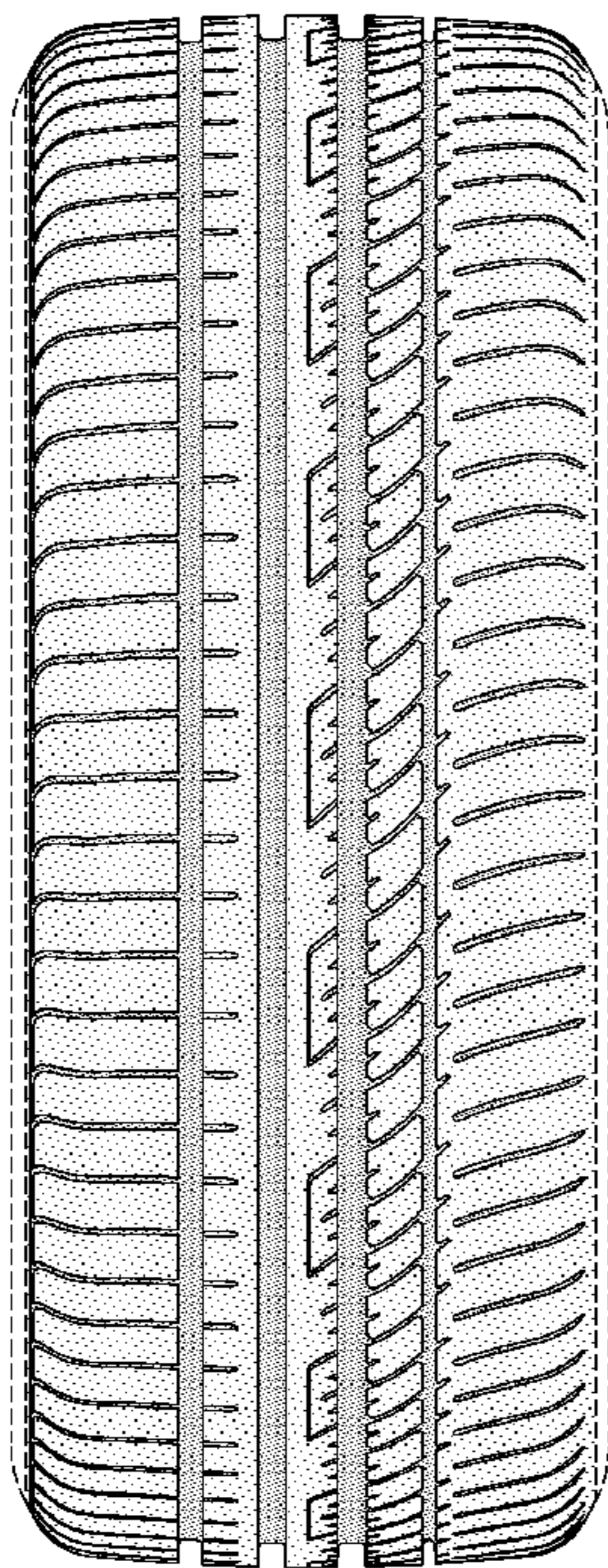
U.S. PATENT DOCUMENTS

D460,402 S *	7/2002	Ishida et al.	D12/523
D491,518 S	6/2004	Miyabe et al.	D12/556
D524,232 S	7/2006	Heinen et al.	D12/521
D531,116 S	10/2006	Heinen et al.	D12/590
D533,133 S	12/2006	Heinen et al.	D12/590
D557,195 S	12/2007	Fontaine et al.	D12/524
D562,757 S *	2/2008	Iwai	D12/523
D577,655 S *	9/2008	Heinen	D12/523
D578,955 S *	10/2008	Fontaine et al.	D12/524
D584,214 S *	1/2009	Mukai	D12/532

FIG. 7 is a front elevational view of a second embodiment, it being understood that an enlarged fragmentary view thereof would be substantially identical to that shown in FIG. 5, with the exception of the inclusion of the sidewall in solid lines.

In the drawings, the broken lines showing of the sidewall, inner bead and the peripheral boundary between the tire tread and the sidewall in FIGS. 1 through 4 depict environmental subject matter and form no part of the claimed design.

1 Claim, 7 Drawing Sheets



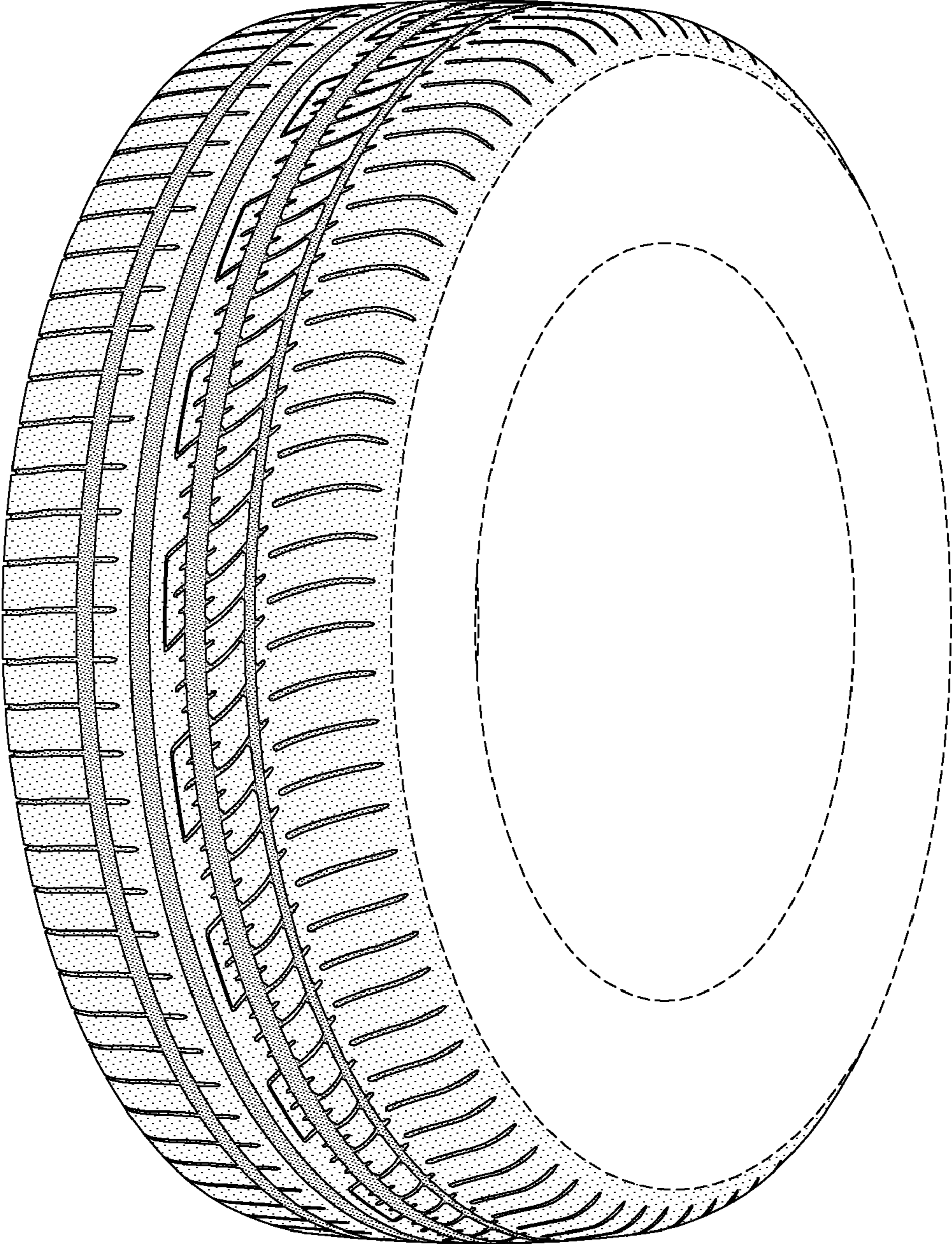


FIG-1

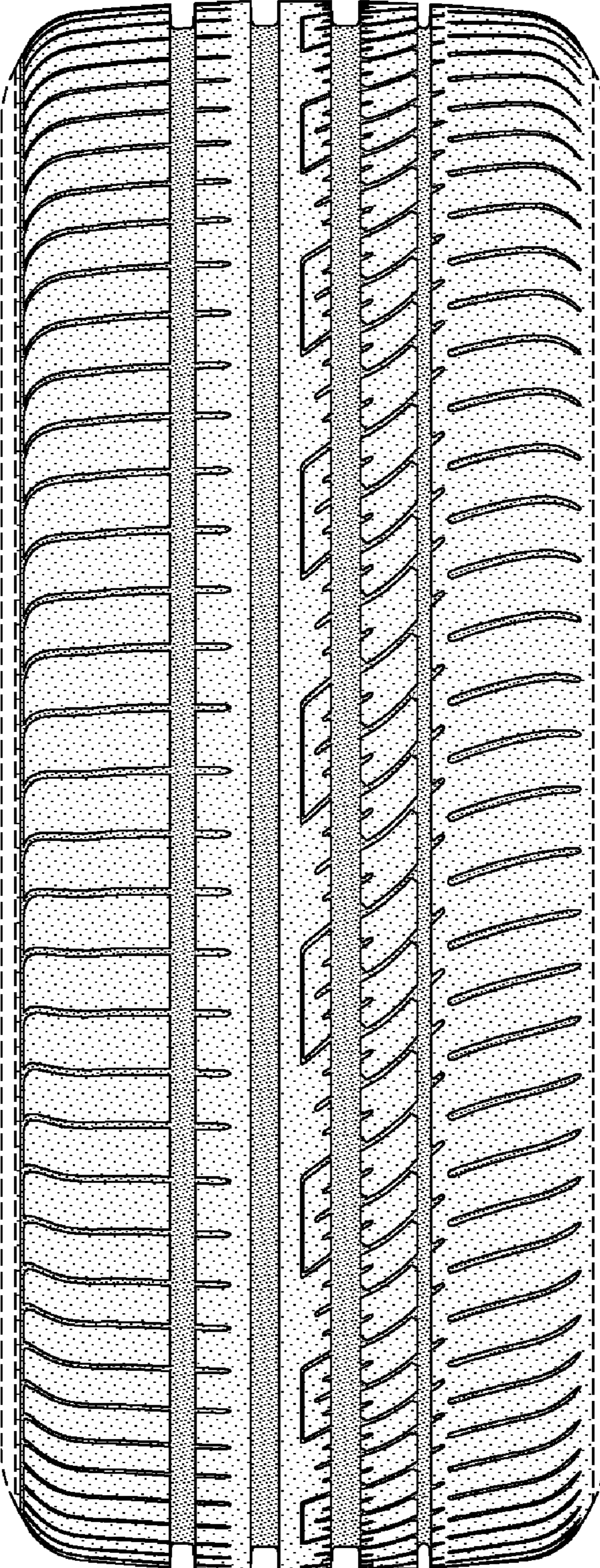


FIG-2

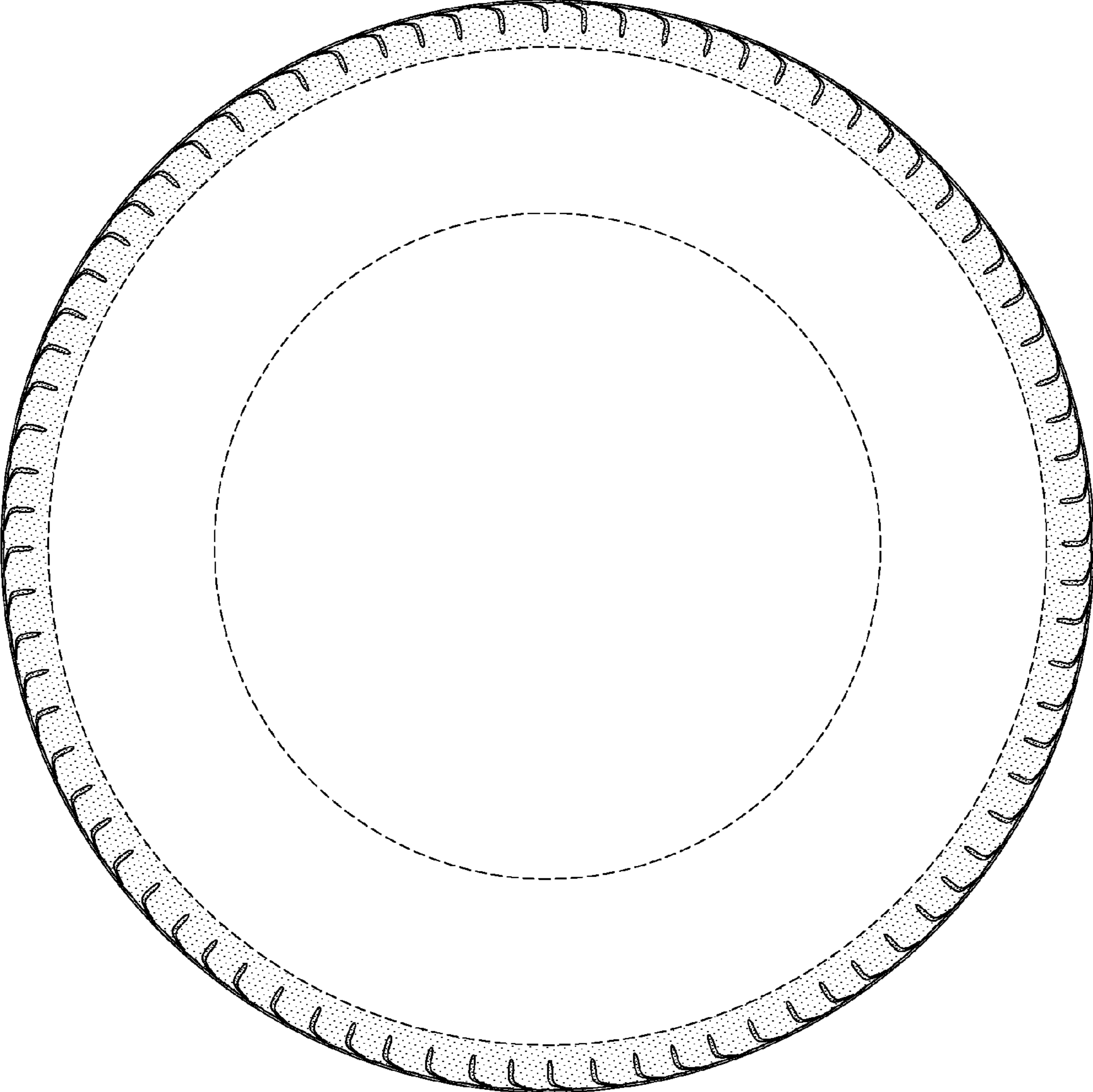


FIG-3

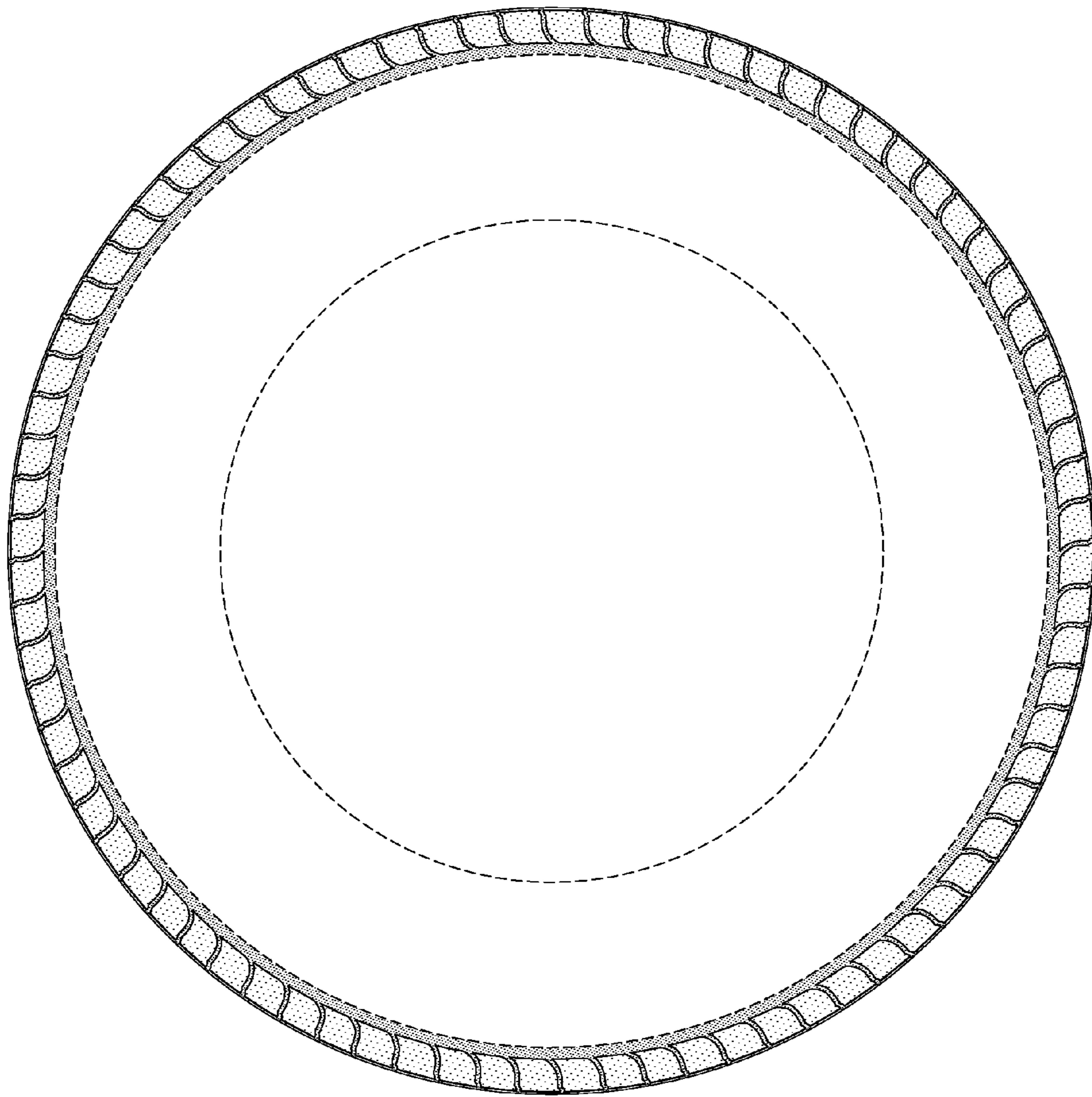


FIG-4

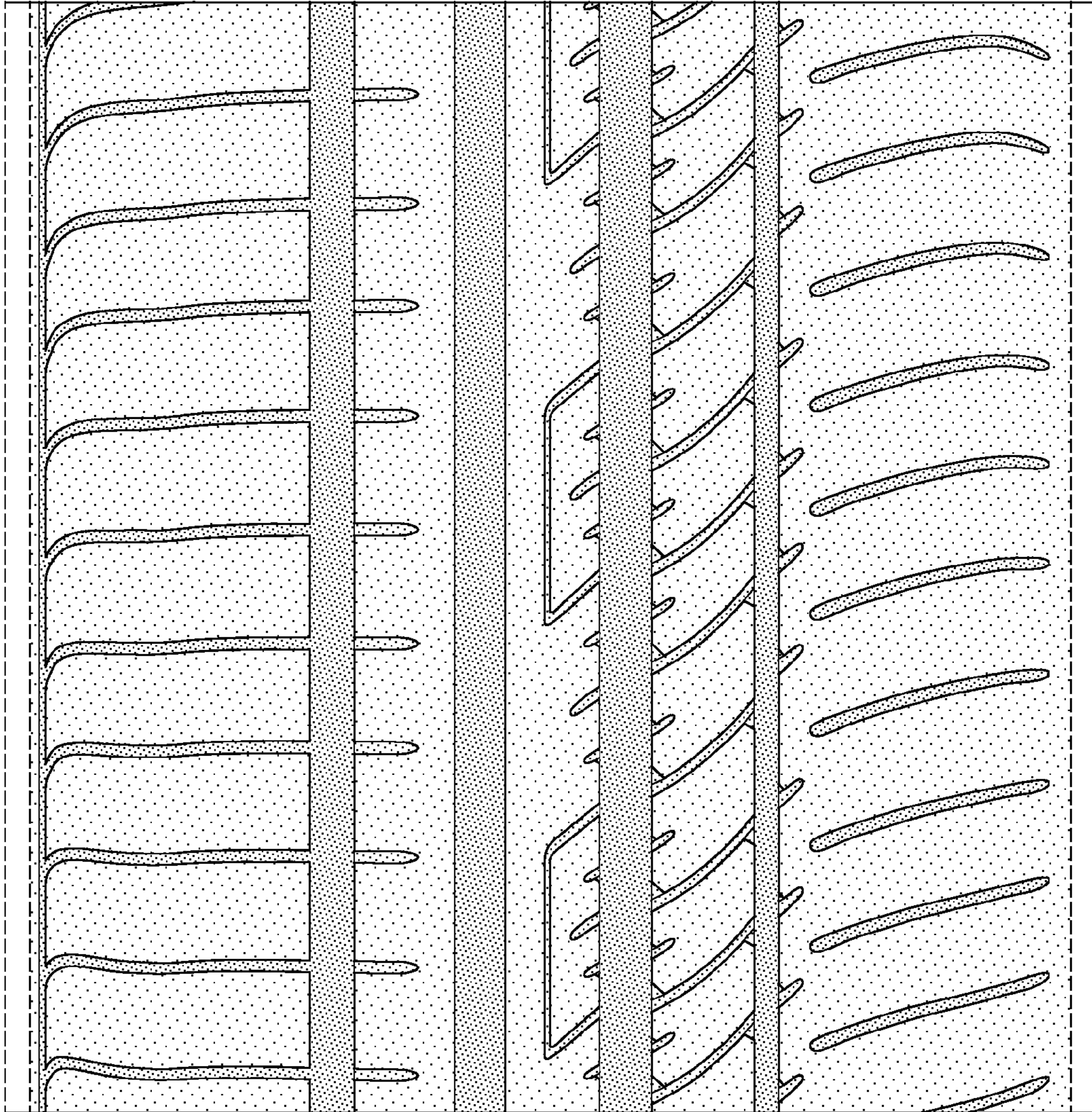


FIG-5

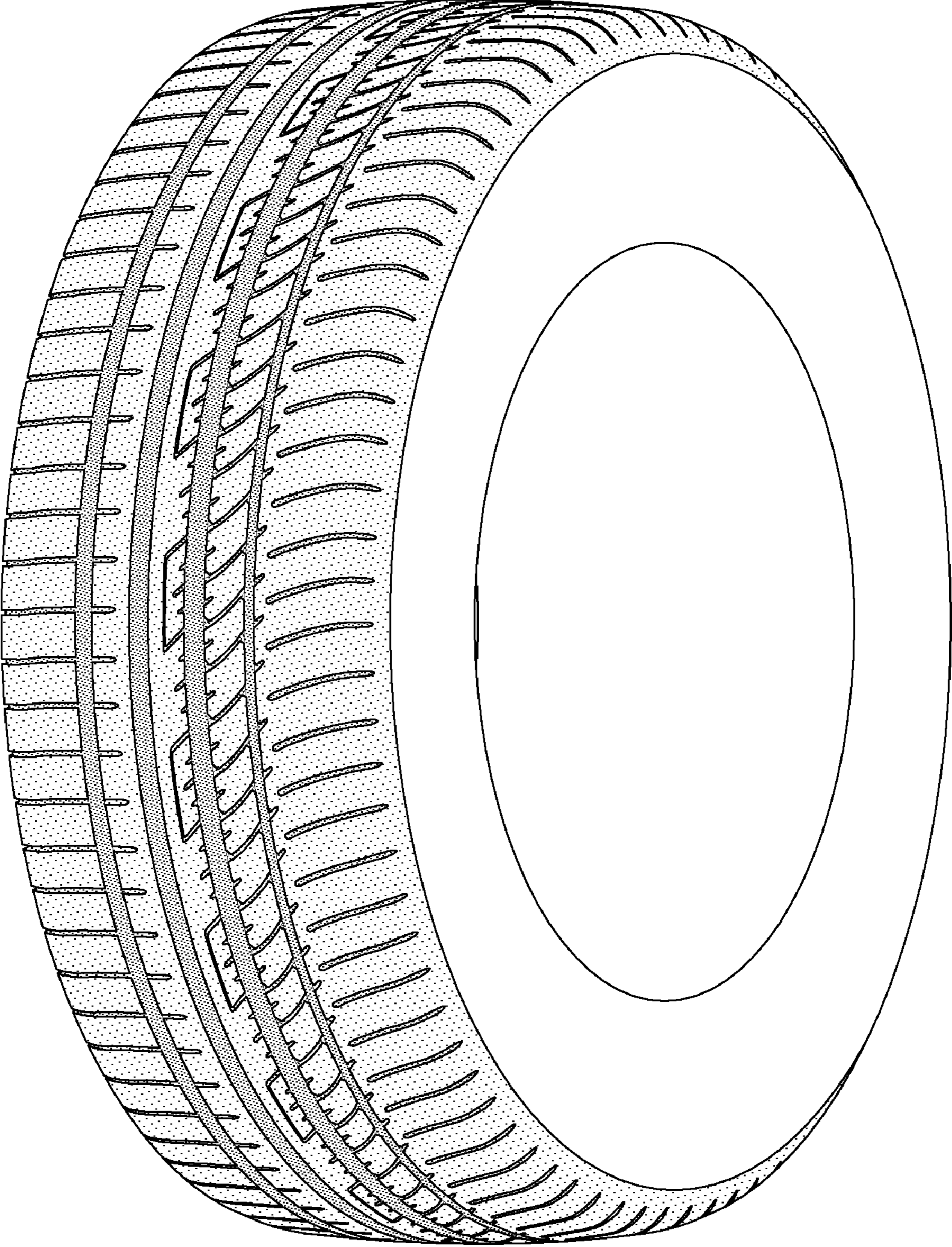


FIG-6

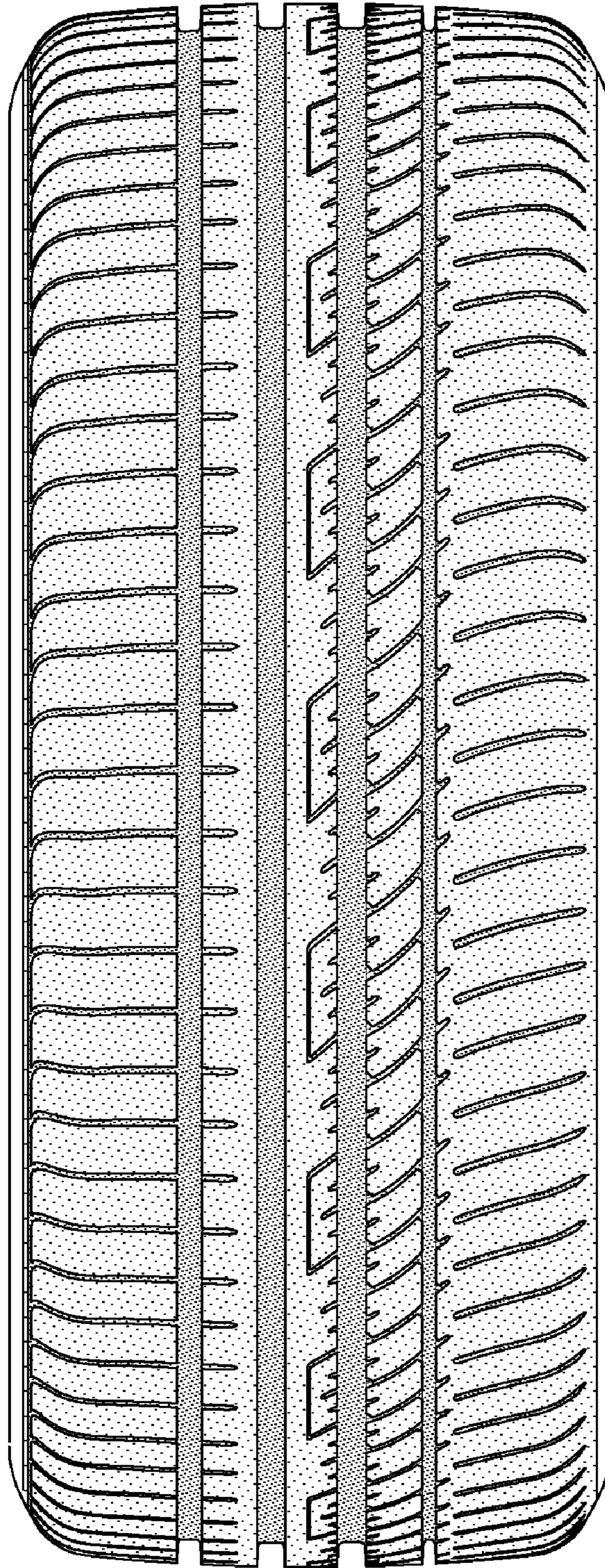


FIG-7