



US00D607807S

(12) **United States Design Patent**
Ohlhorst

(10) **Patent No.:** **US D607,807 S**
(45) **Date of Patent:** **** Jan. 12, 2010**

(54) **CUP HOLDER AND COVERED STORAGE BIN FOR SCOOTERS**

(74) *Attorney, Agent, or Firm*—QuickPatents, Inc.; Kevin Prince

(76) **Inventor:** **Gary R. Ohlhorst**, 3790 Legend Creek Dr., Pace, FL (US) 32571

(57) **CLAIM**

(**) **Term:** **14 Years**

I claim the ornamental design for a cup holder and covered storage bin for scooters, as shown and described.

(21) **Appl. No.:** **29/337,274**

(22) **Filed:** **May 18, 2009**

DESCRIPTION

(51) **LOC (9) Cl.** **12-11**

FIG. 1 is a perspective view of a cup holder and covered storage bin for scooters, illustrated as in use, showing my new design;

(52) **U.S. Cl.** **D12/411**

FIG. 2 is an exploded perspective view thereof, showing my new design;

(58) **Field of Classification Search** D12/110, D12/114, 406, 407, 411, 415, 419, 424–426, D12/426.1; 296/37.1; 224/412–435, 42.11, 224/926, 536–539, 275, 296; D7/601, 602; D6/336, 338, 340–342, 406.1–406.3; 180/219; 280/288.4; 248/311.2; 108/44, 45
See application file for complete search history.

FIG. 3 is a perspective view thereof, showing my new design;

FIG. 4 is a front elevational view thereof;

FIG. 5 is a rear elevational view thereof;

FIG. 6 is a left-side elevational view thereof;

FIG. 7 is a right-side elevational view thereof;

FIG. 8 is a top plan view thereof; and,

FIG. 9 is a bottom plan view thereof.

The broken lines showing a scooter in FIG. 1 are included for the purpose of illustrating the invention in use, and form no part of the claimed design.

(56) **References Cited**

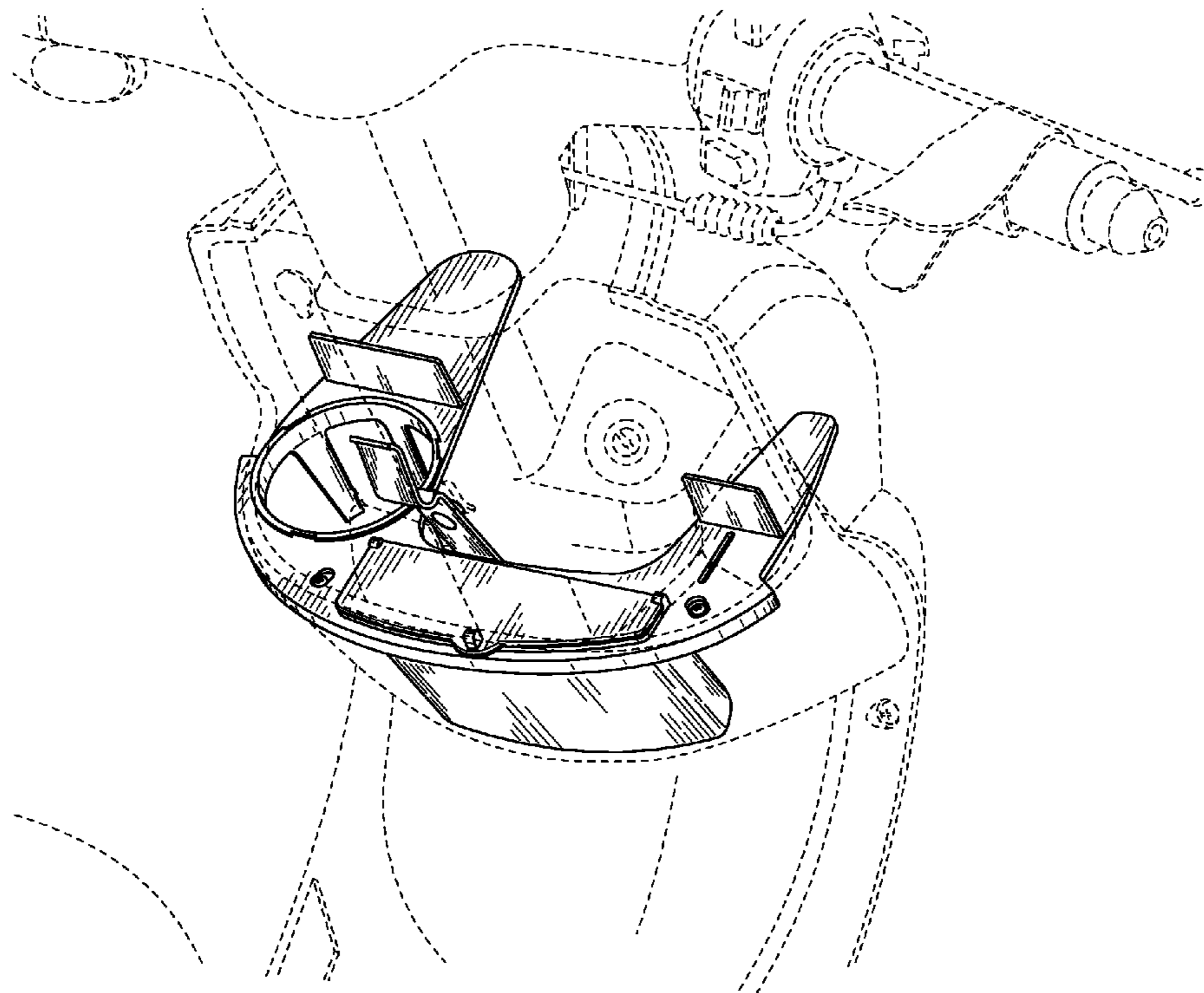
U.S. PATENT DOCUMENTS

- D396,844 S * 8/1998 Smith D12/419
- 5,881,936 A * 3/1999 Li 224/413
- D591,560 S * 5/2009 Lackey et al. D7/553.8

* cited by examiner

Primary Examiner—Cathron C Brooks
Assistant Examiner—Linda G. Brooks

1 Claim, 7 Drawing Sheets



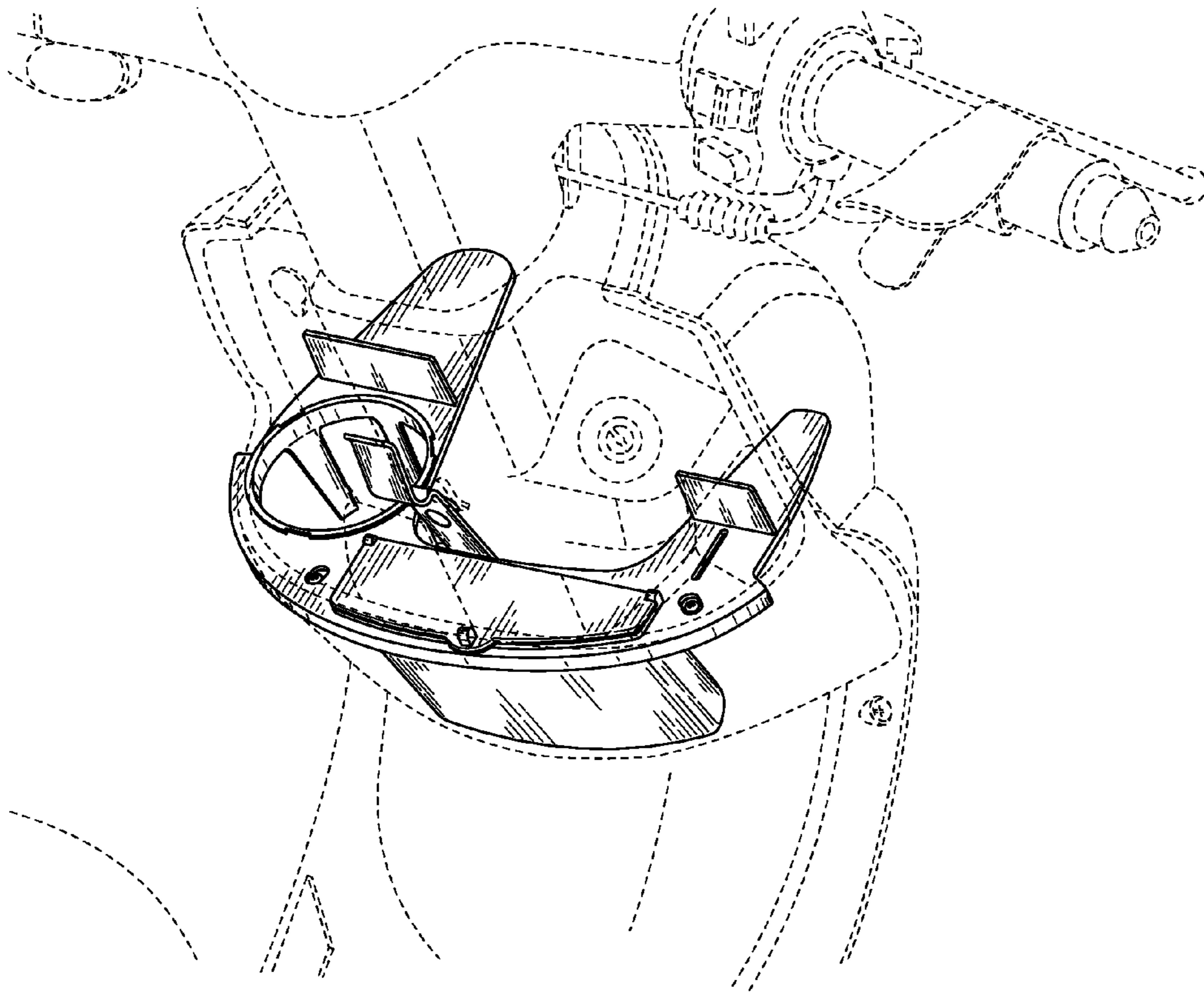


FIG. 1

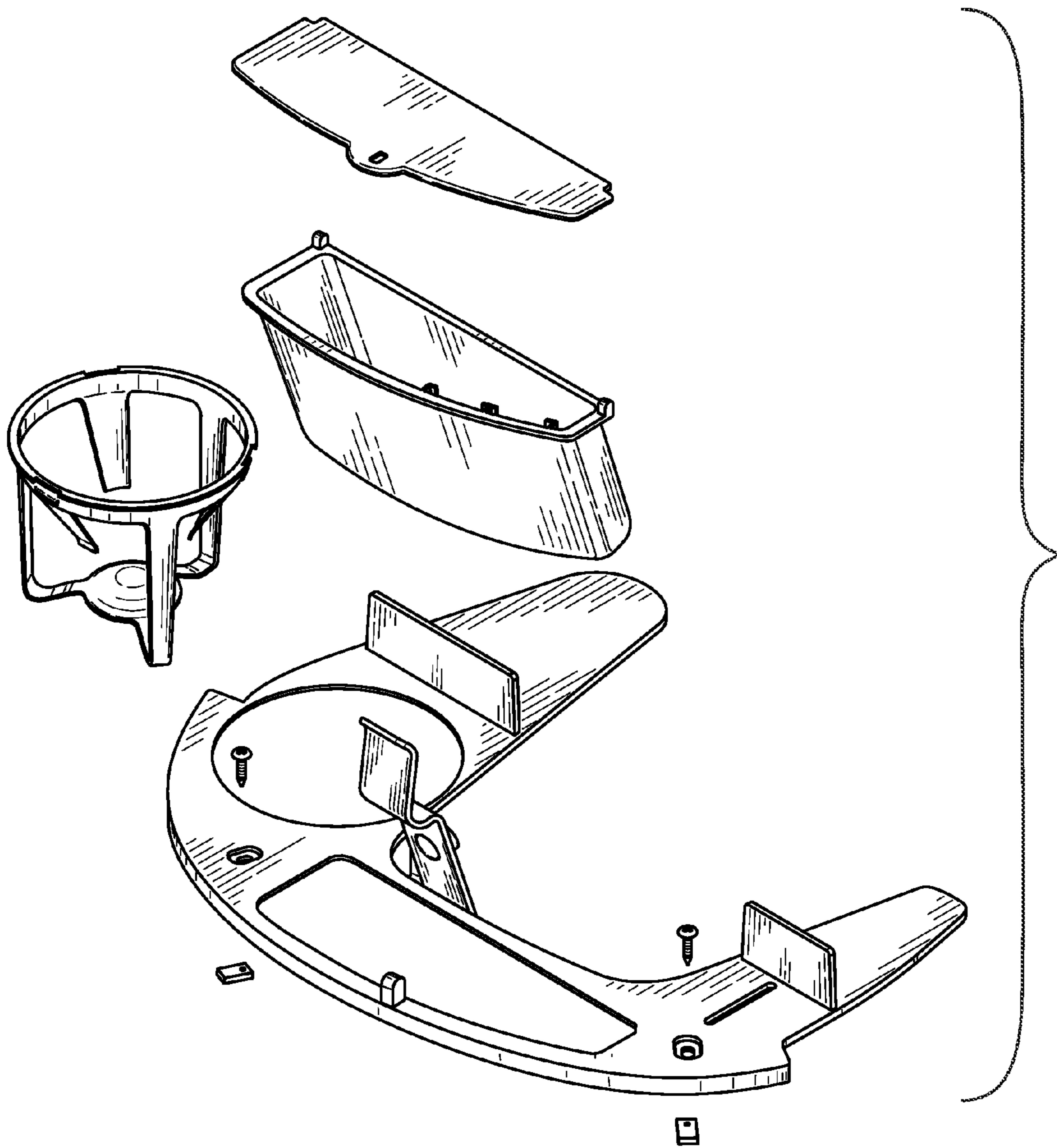


FIG. 2

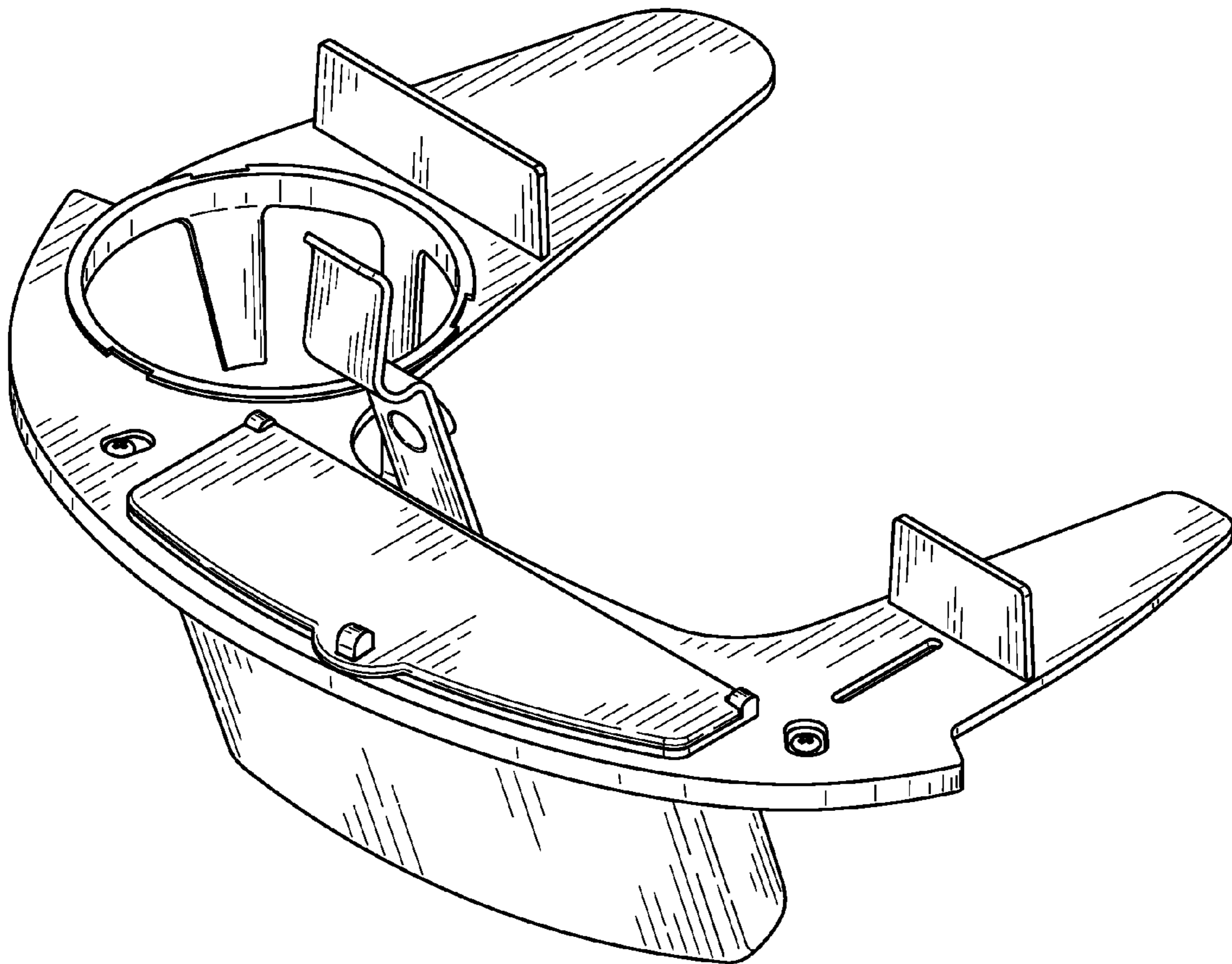


FIG. 3

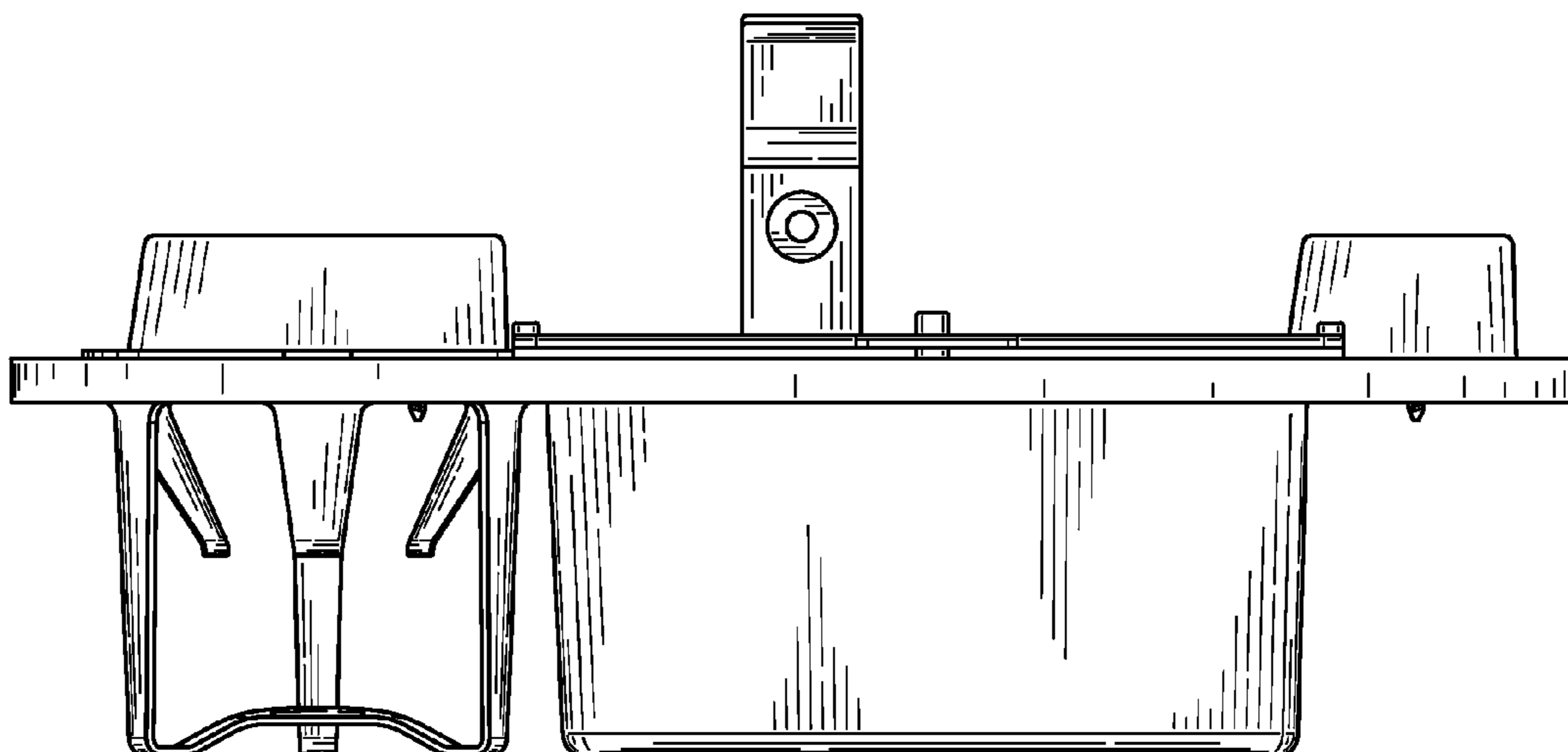


FIG. 4

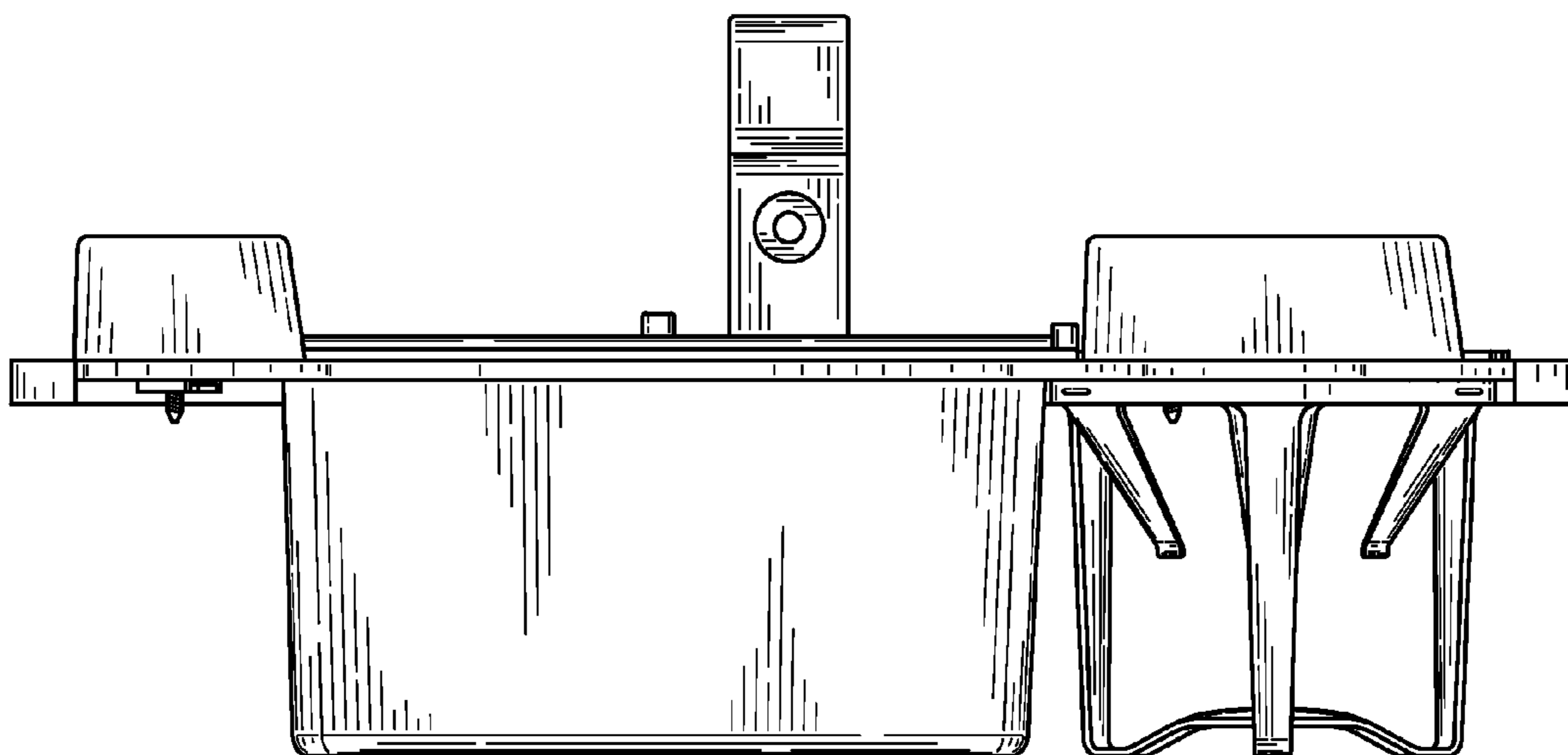


FIG. 5

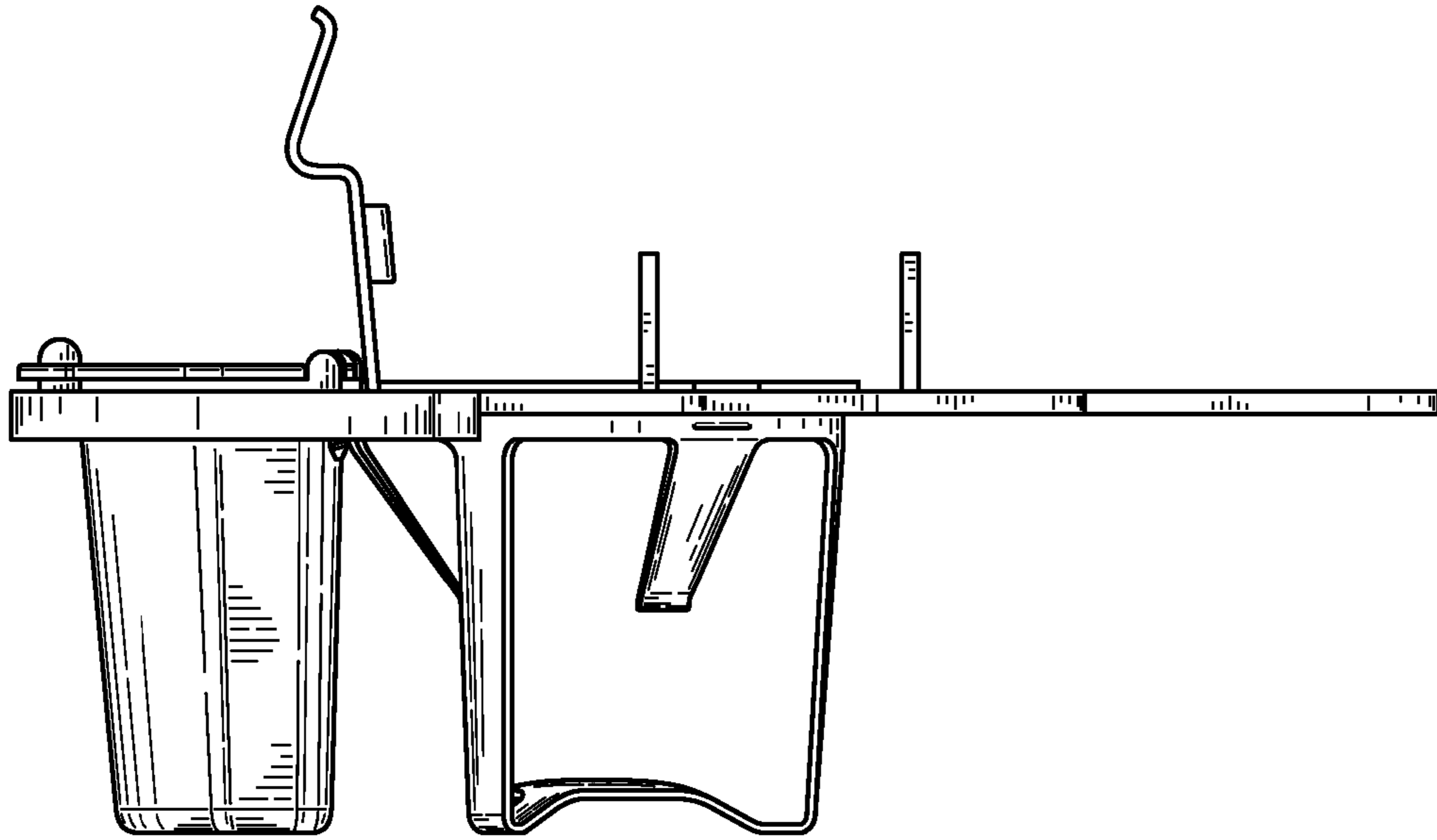


FIG. 6

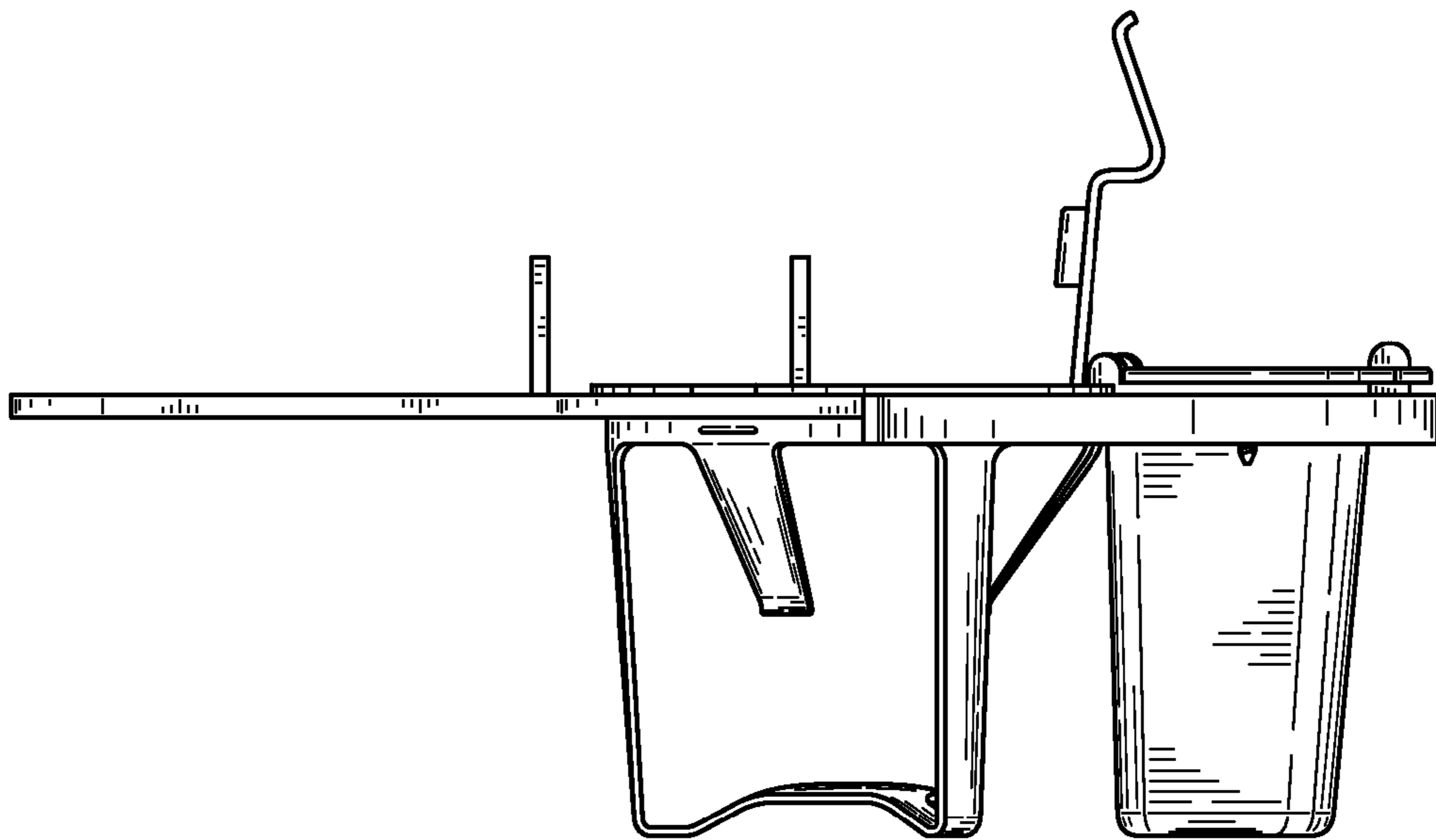


FIG. 7

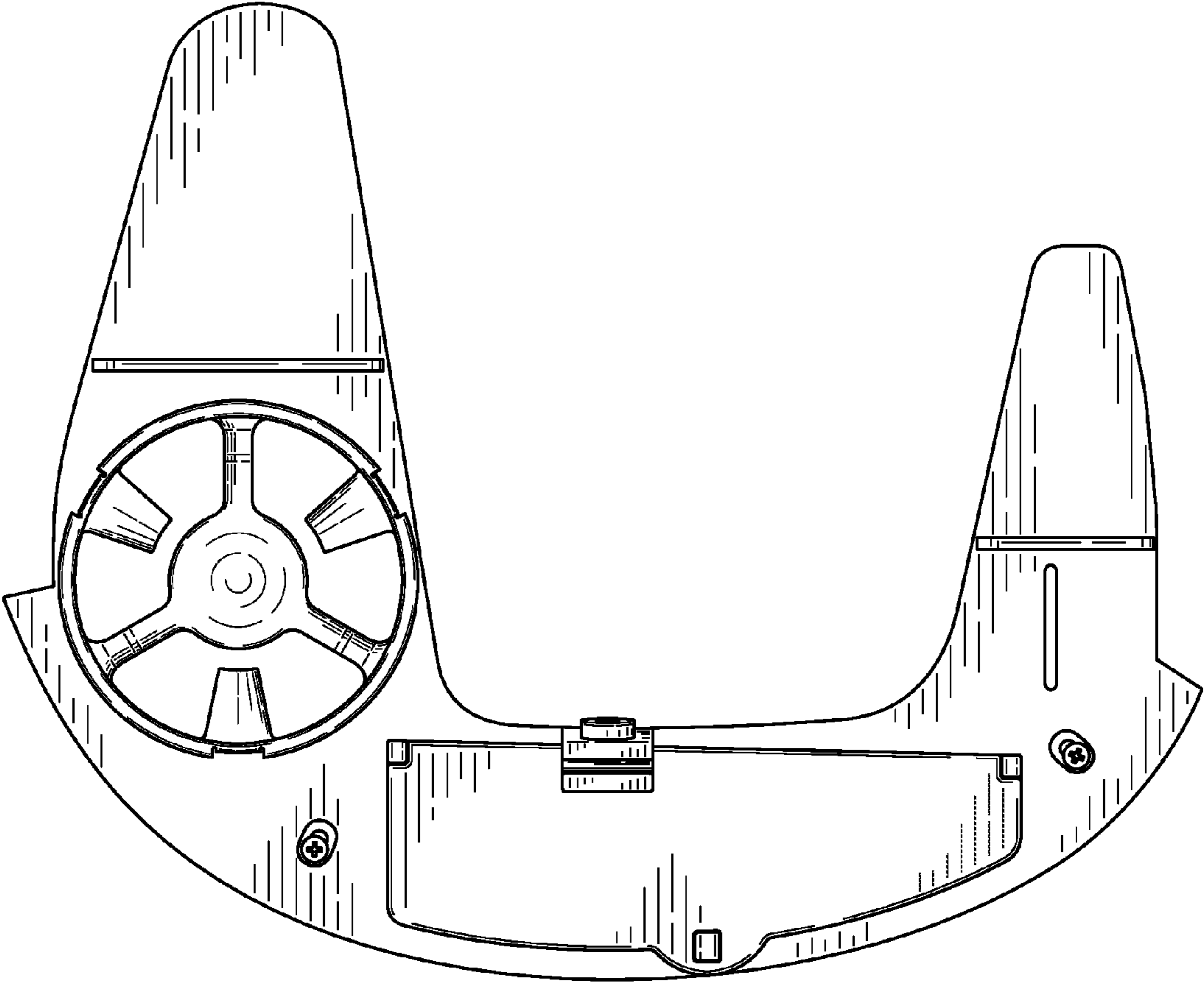


FIG. 8

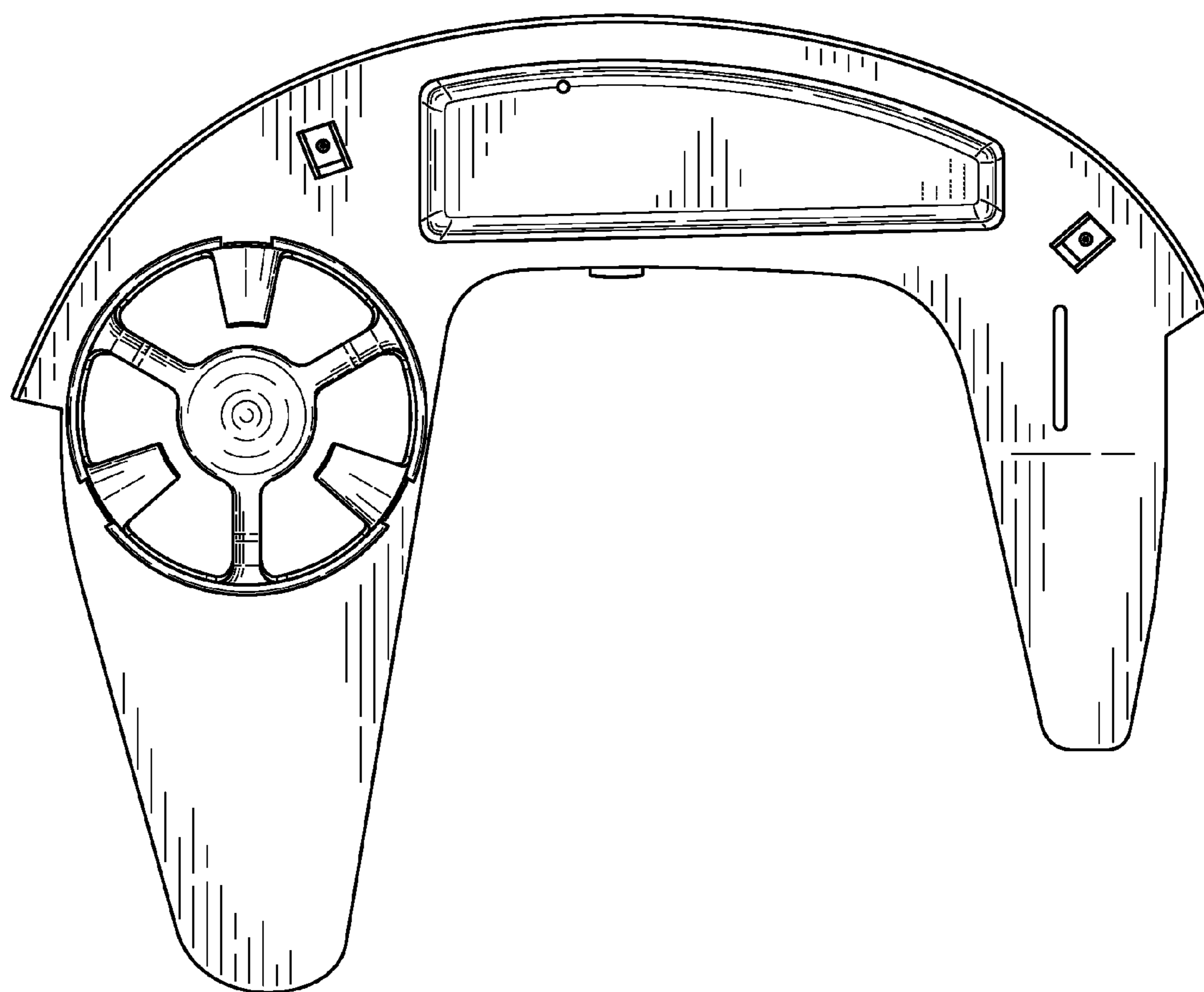


FIG. 9