



US00D607793S

(12) **United States Design Patent**  
**Maroni et al.**

(10) **Patent No.:** **US D607,793 S**  
(45) **Date of Patent:** **\*\* Jan. 12, 2010**

(54) **CALIPER FOR DISC BRAKES**

(75) Inventors: **Massimiliano Maroni**, Bergamo (IT);  
**Andrea Matti**, Berzo-Demo (IT)

(73) Assignee: **Freni Brembo S.p.A.**, Curno (Bergamo)  
(IT)

(\*\*) Term: **14 Years**

(21) Appl. No.: **29/279,111**

(22) Filed: **Apr. 19, 2007**

(30) **Foreign Application Priority Data**

Oct. 24, 2006	(EM)	.....	000615711-0001
Oct. 24, 2006	(EM)	.....	000615711-0002
Oct. 24, 2006	(EM)	.....	000615711-0003
Oct. 24, 2006	(EM)	.....	000615711-0004
Oct. 24, 2006	(EM)	.....	000615711-0005
Oct. 24, 2006	(EM)	.....	000615711-0006
Oct. 24, 2006	(EM)	.....	000615711-0007
Oct. 24, 2006	(EM)	.....	000615711-0008
Oct. 24, 2006	(EM)	.....	000615711-0009
Oct. 24, 2006	(EM)	.....	000615711-0010

(51) **LOC (9) Cl.** ..... **12-16**

(52) **U.S. Cl.** ..... **D12/180**

(58) **Field of Classification Search** ..... D12/180;  
188/71.1, 73.3, 73.31-73.39, 72.2, 72.4,  
188/73.41-73.46, 218 XL, 370, 1.11 W  
See application file for complete search history.

(56) **References Cited**

**U.S. PATENT DOCUMENTS**

D512,352 S *	12/2005	Veneziano et al.	.....	D12/180
D522,420 S *	6/2006	Crippa et al.	.....	D12/180

D522,421 S *	6/2006	Crippa et al.	.....	D12/180
D523,794 S *	6/2006	Strumbo et al.	.....	D12/180
D527,321 S *	8/2006	Gherardi et al.	.....	D12/180
D555,555 S *	11/2007	Ikuzawa et al.	.....	D12/180
D556,103 S *	11/2007	Morimoto	.....	D12/180
7,331,430 B2 *	2/2008	Valvano et al.	.....	188/71.5
D588,513 S *	3/2009	Crippa et al.	.....	D12/180

\* cited by examiner

*Primary Examiner*—Melody N Brown

(74) *Attorney, Agent, or Firm*—Shoemaker and Mattare

(57) **CLAIM**

The ornamental design for a caliper for disc brakes, as shown and described.

**DESCRIPTION**

FIG. 1 is a perspective view of a caliper for disc brakes, showing our new design from the left side and front;

FIG. 2 is a front elevational view thereof;

FIG. 3 is a top plan view thereof;

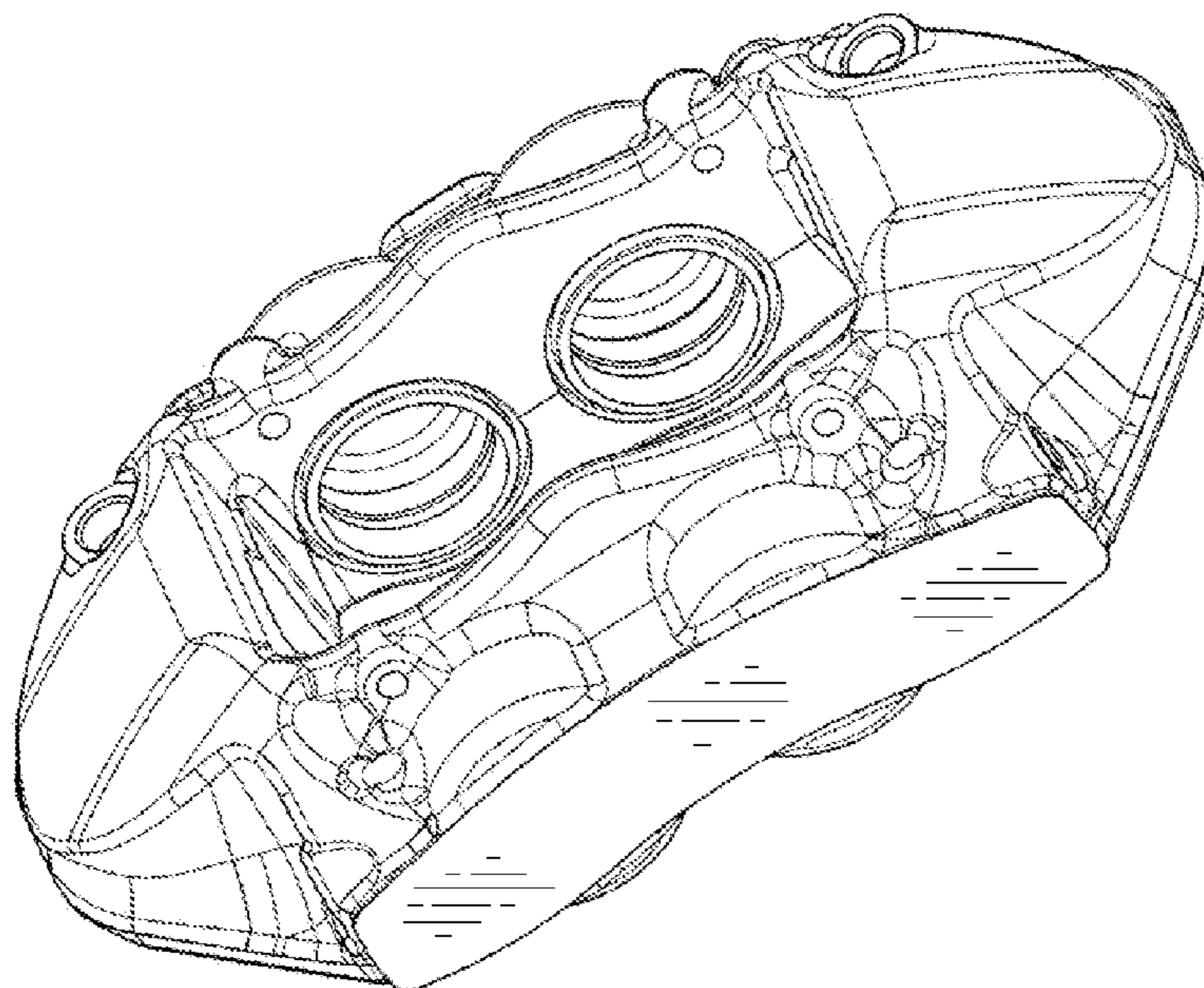
FIG. 4 is a rear elevational view thereof;

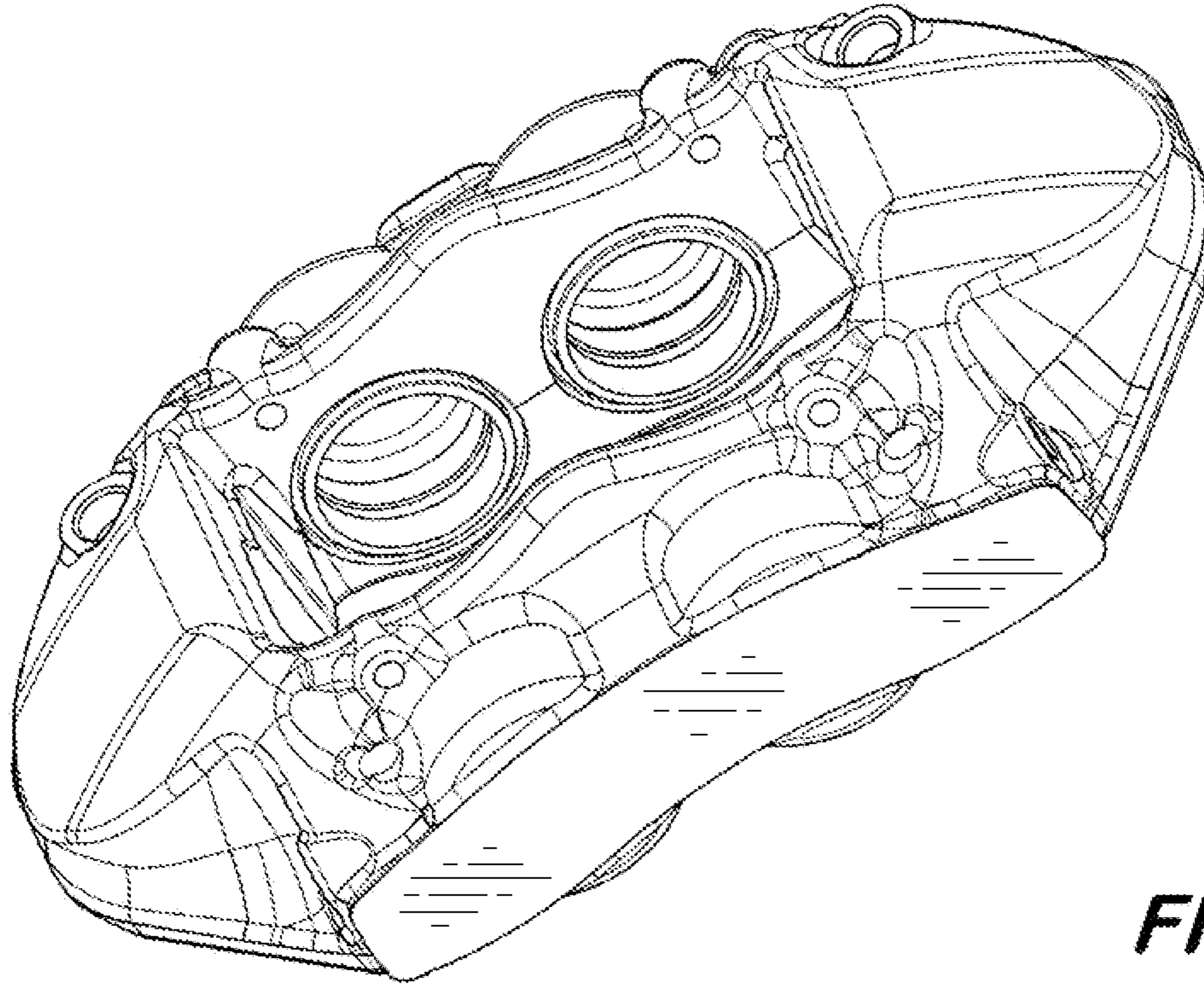
FIG. 5 is a bottom plan view thereof;

FIG. 6 is a left side elevational view thereof; and,

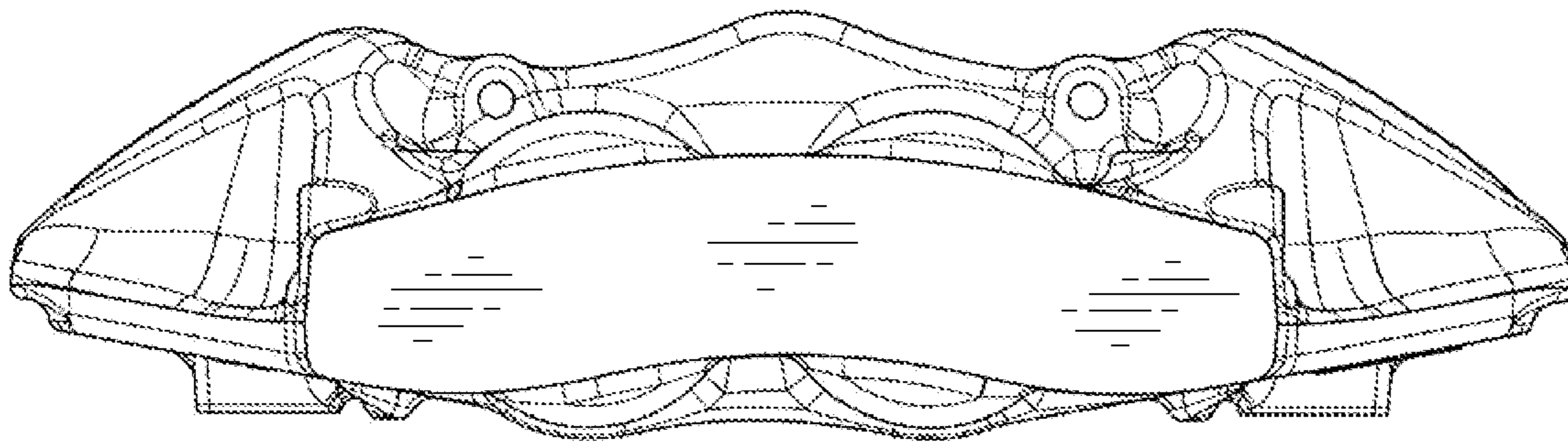
FIG. 7 is a right side elevational view thereof.

**1 Claim, 4 Drawing Sheets**

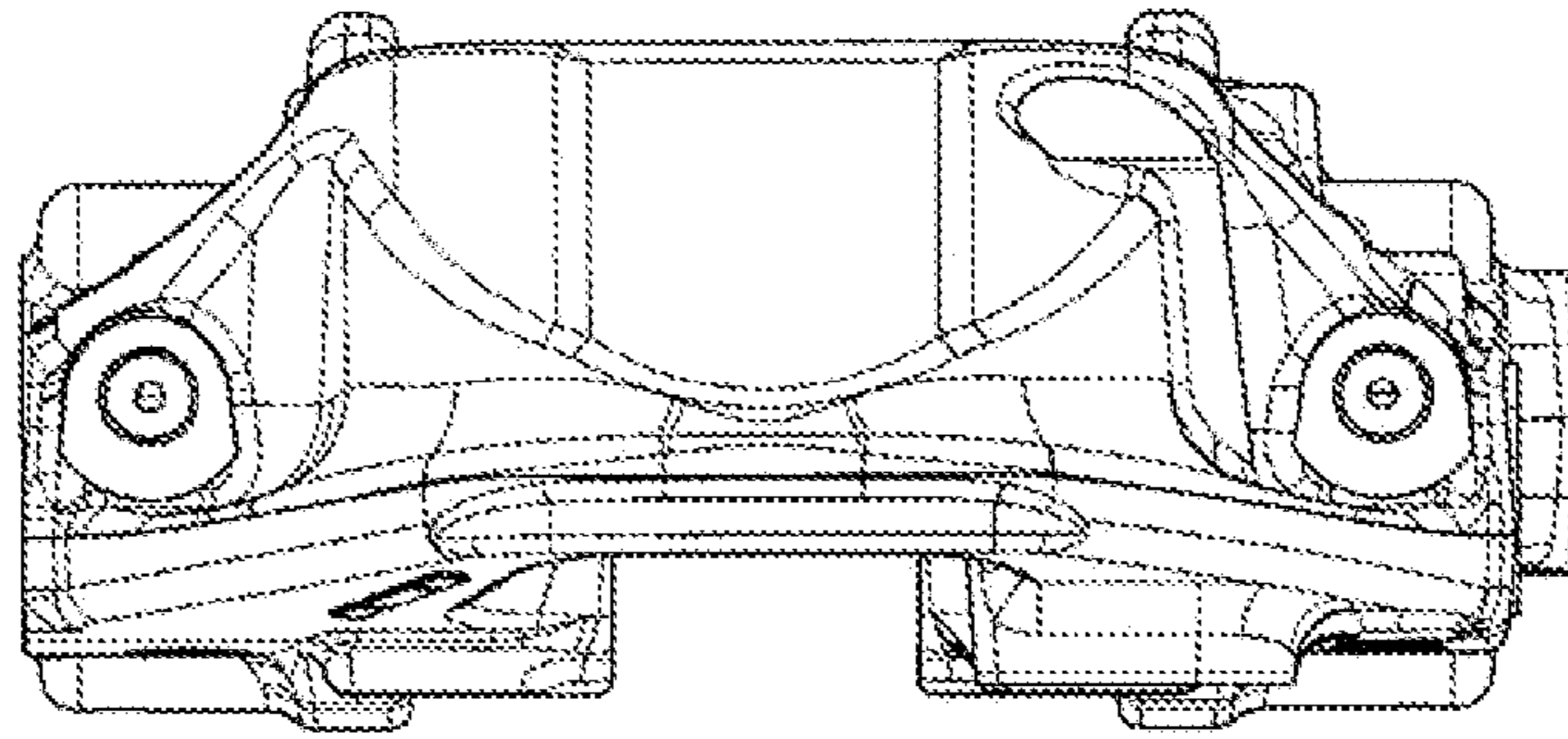




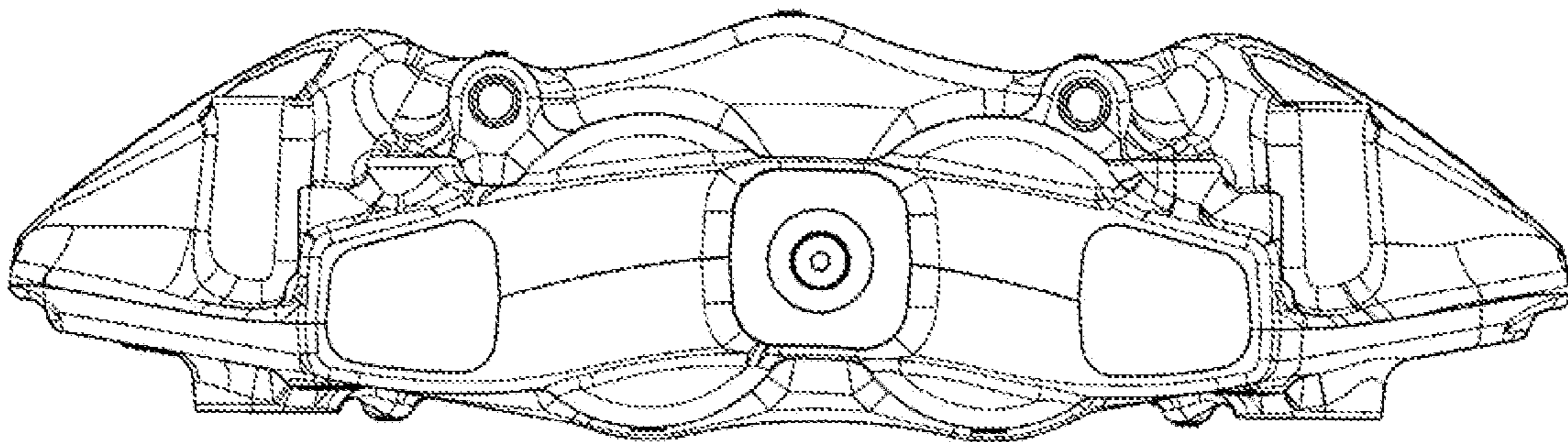
**FIG. 1**



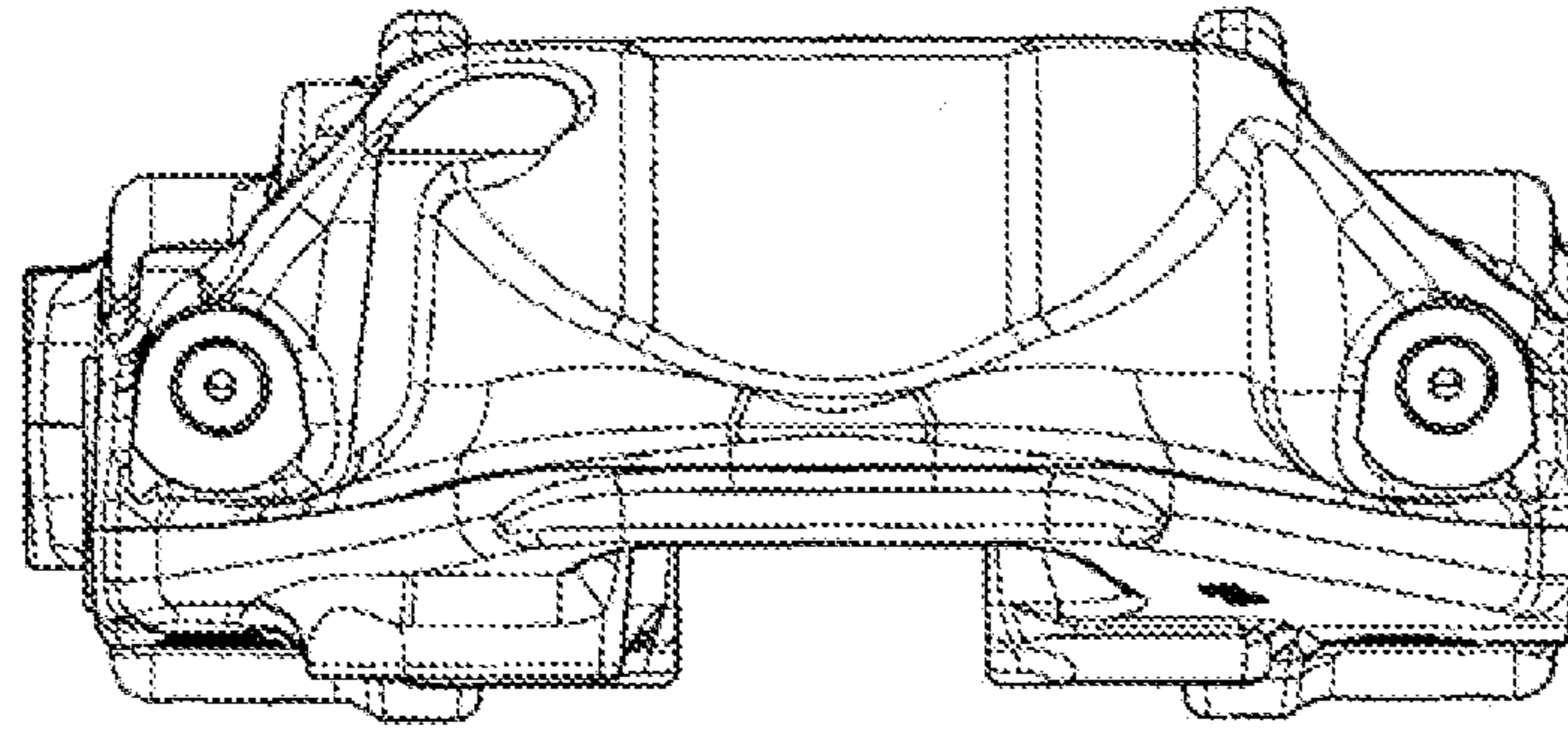
**FIG. 2**



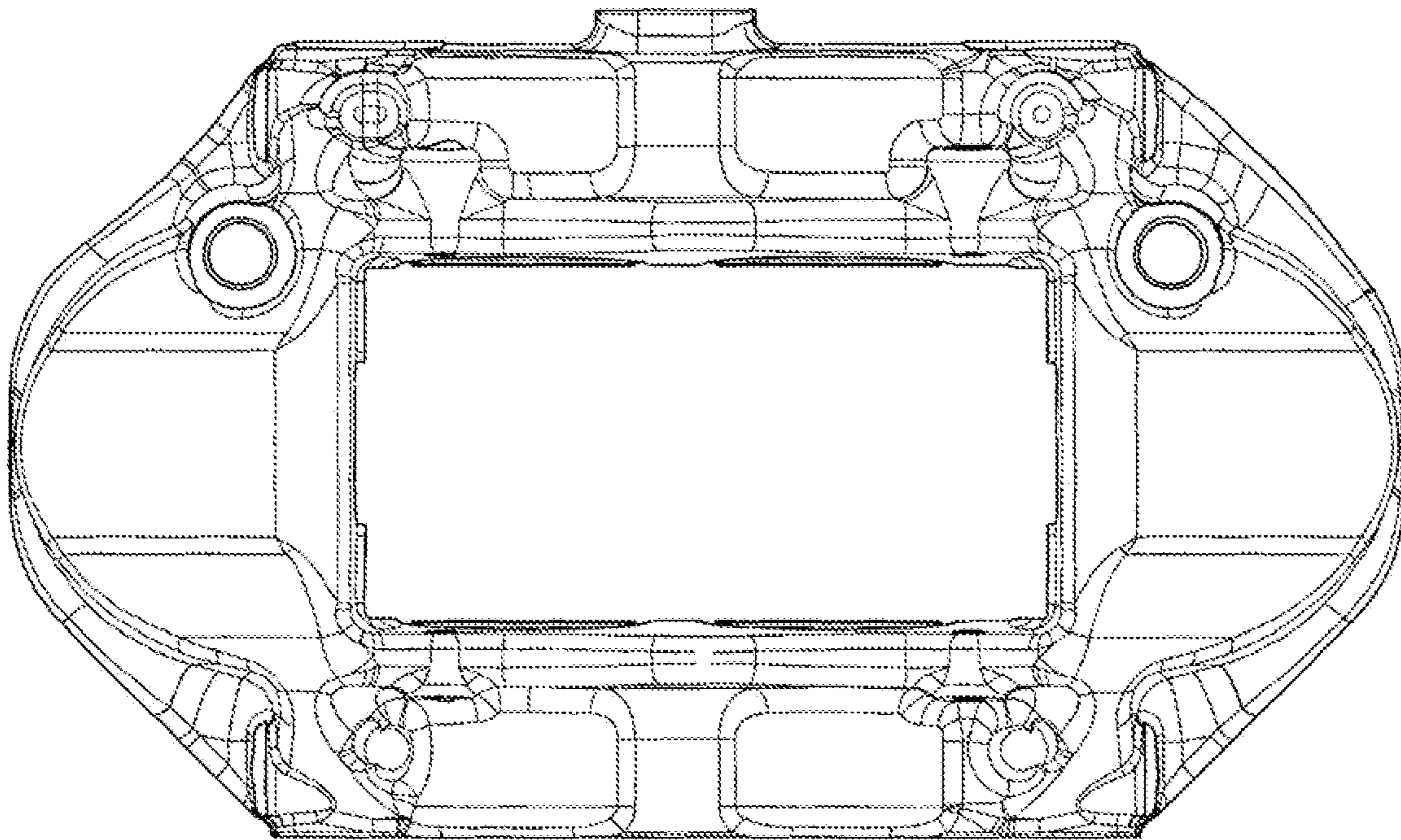
**FIG. 3**



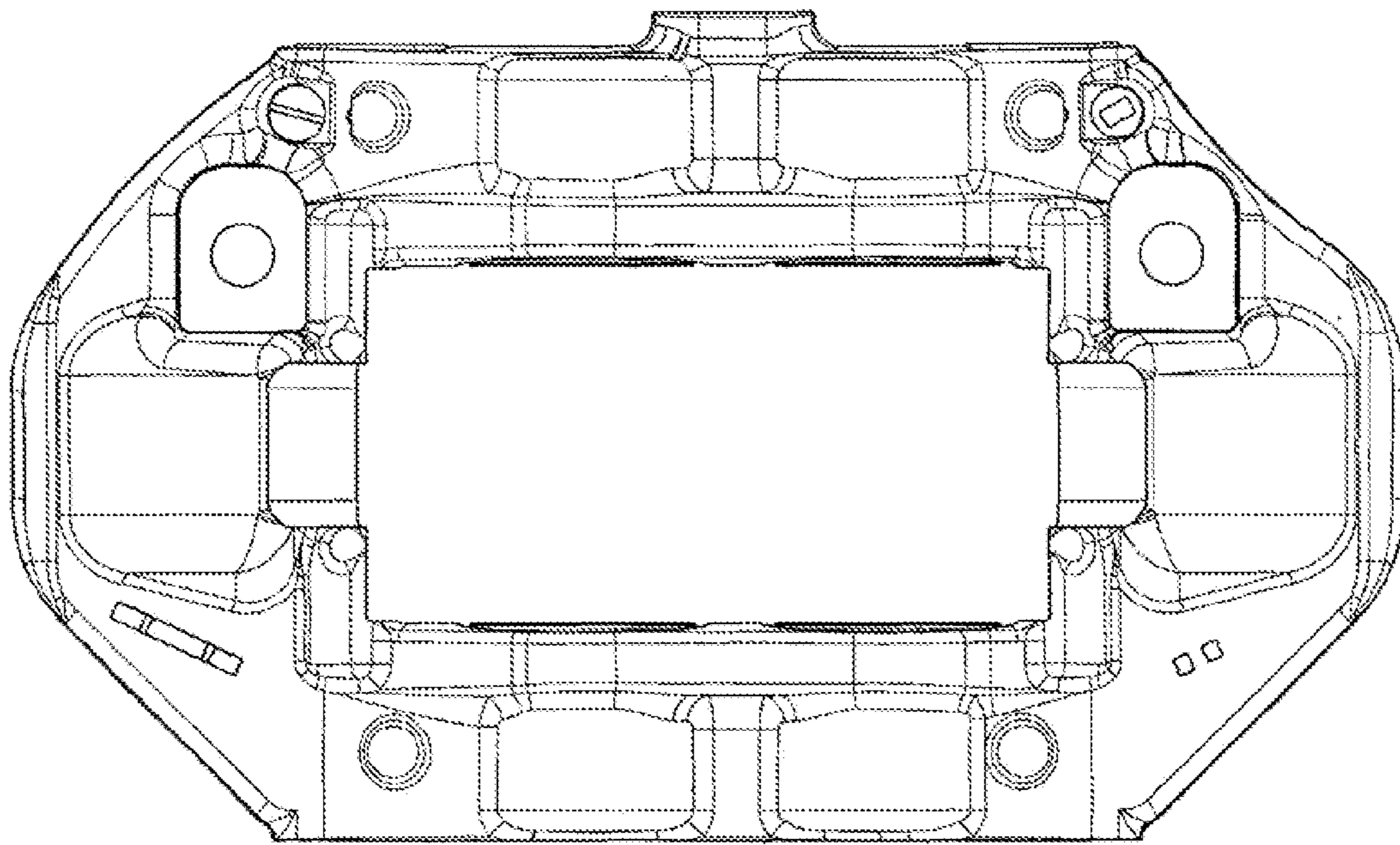
**FIG. 4**



**FIG. 5**



**FIG. 6**



**FIG. 7**