



US00D607789S

(12) **United States Design Patent**
Larson et al.

(10) **Patent No.:** **US D607,789 S**
(45) **Date of Patent:** **** Jan. 12, 2010**

- (54) **AUTOMOBILE FRONT BUMPER**
- (75) Inventors: **Grant Larson**, Ludwigsburg (DE);
Hakan Saracoglu, Stuttgart (DE)
- (73) Assignee: **Dr. Ing. h.c. F. Porsche AG**, Stuttgart (DE)
- (**) Term: **14 Years**
- (21) Appl. No.: **29/332,129**
- (22) Filed: **Feb. 10, 2009**
- (30) **Foreign Application Priority Data**
Aug. 12, 2008 (DE) 40 2008 003 798
- (51) **LOC (9) Cl.** **12-16**
- (52) **U.S. Cl.** **D12/169**
- (58) **Field of Classification Search** D12/169,
D12/196, 171, 163, 216, 90-92, 86; 293/102,
293/113, 115, 117, 120; 296/180.1, 180.2
See application file for complete search history.
- (56) **References Cited**
U.S. PATENT DOCUMENTS
D584,200 S * 1/2009 Leclercq D12/169

- D592,566 S * 5/2009 Saracoglu D12/169
- D592,568 S * 5/2009 Borkert D12/169
- D597,453 S * 8/2009 Varga D12/169
- D598,334 S * 8/2009 Giachin D12/169
- D598,827 S * 8/2009 Kanai et al. D12/169
- D598,828 S * 8/2009 Lee D12/169

* cited by examiner

Primary Examiner—Melody N Brown

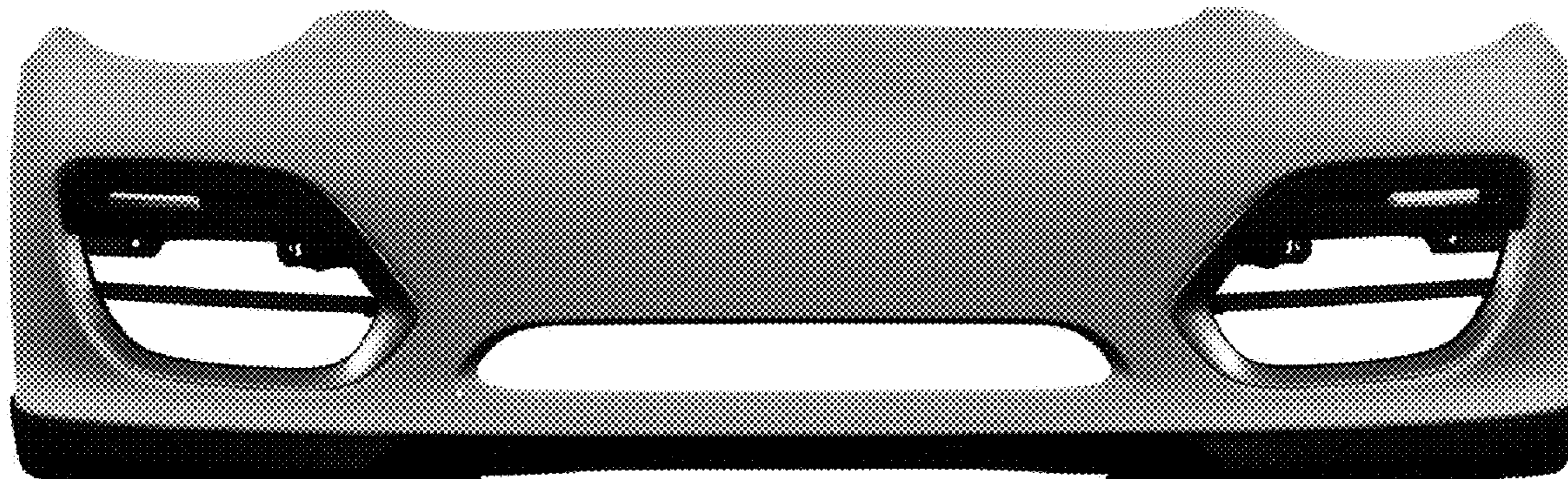
(57) **CLAIM**

The ornamental design for an automobile front bumper, as shown and described.

DESCRIPTION

FIG. 1 is a front elevation view of an automobile front bumper showing my new design;
 FIG. 2 is a front, perspective view thereof;
 FIG. 3 is a left-side view thereof;
 FIG. 4 is right-side view thereof;
 FIG. 5 is top view thereof; and,
 FIG. 6 is a rear view thereof.

1 Claim, 3 Drawing Sheets



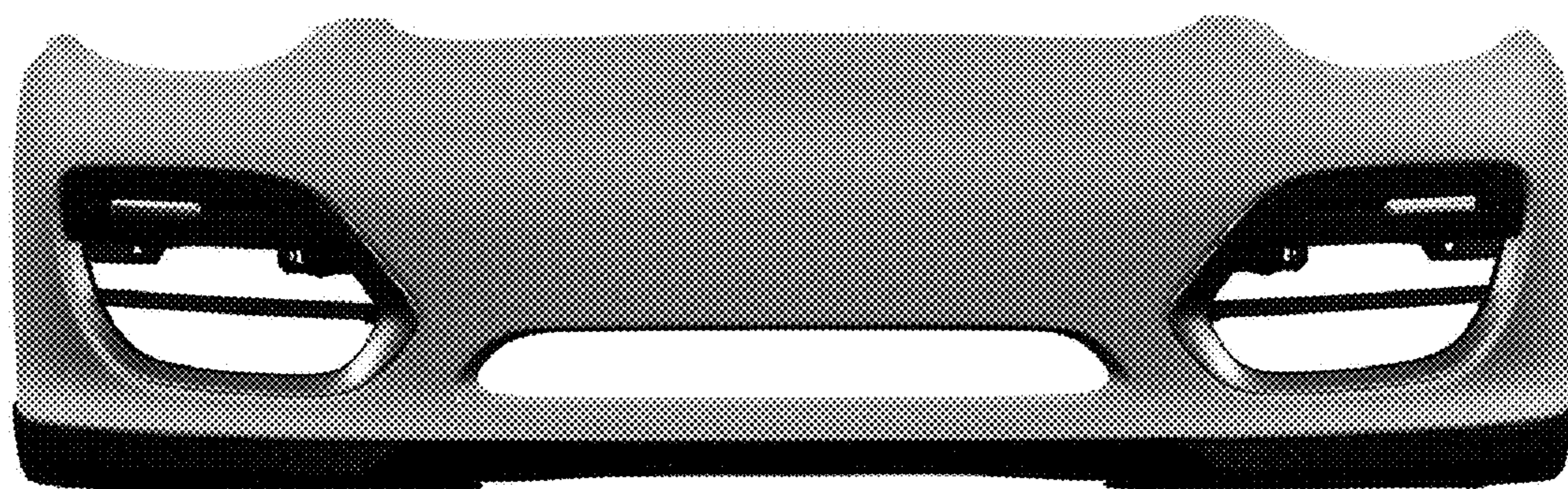


FIG. 1

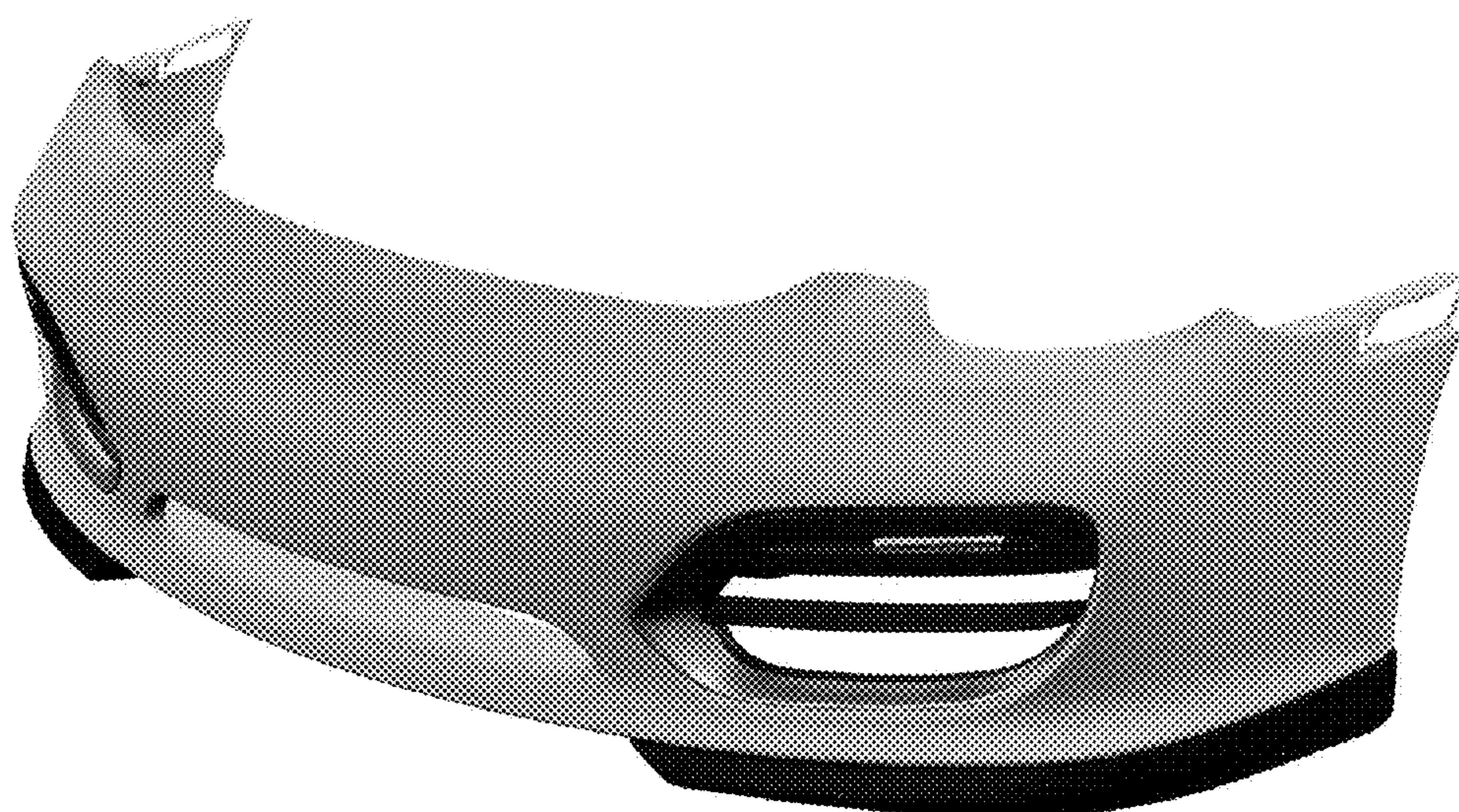


FIG. 2

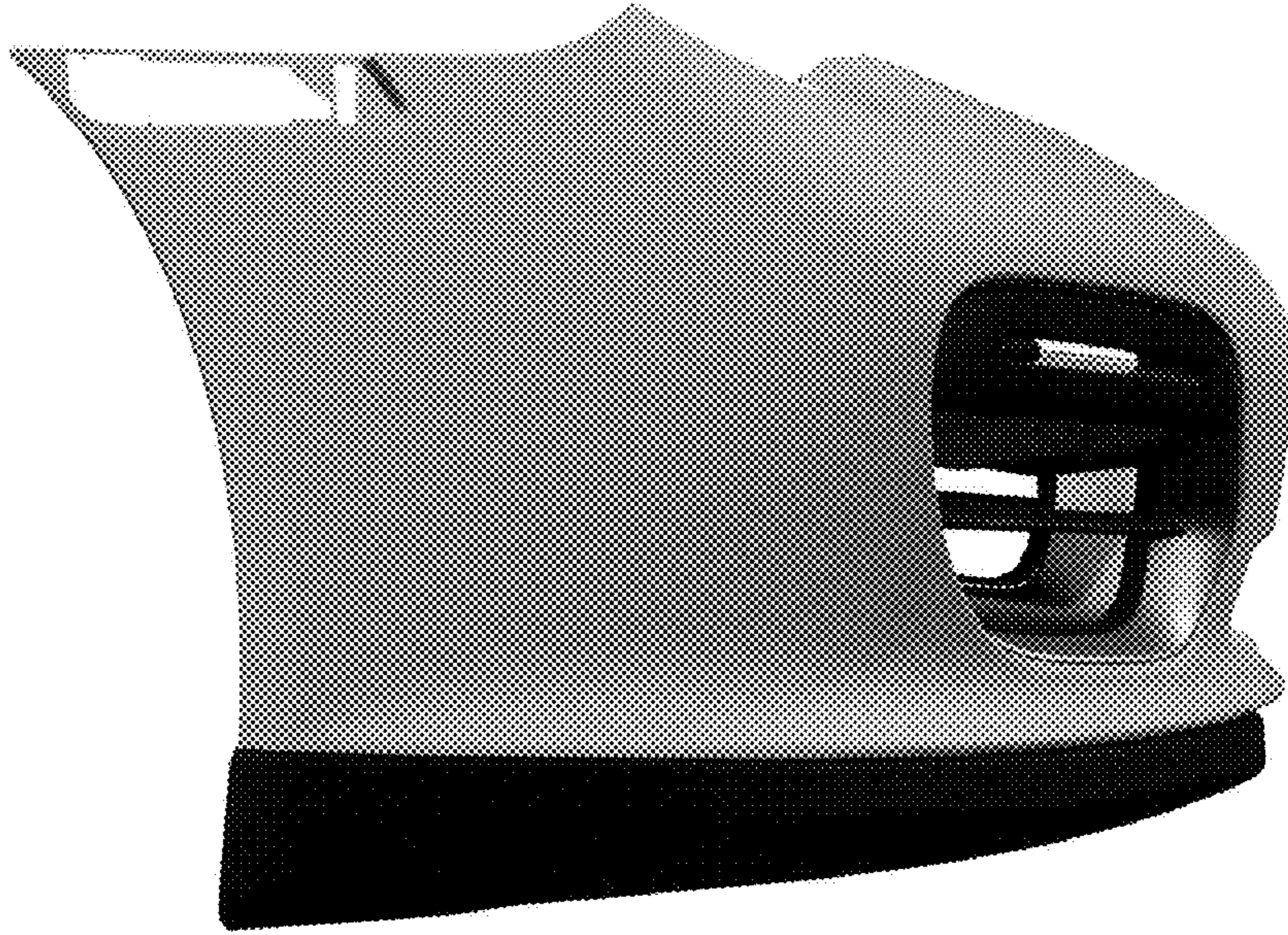


FIG. 3

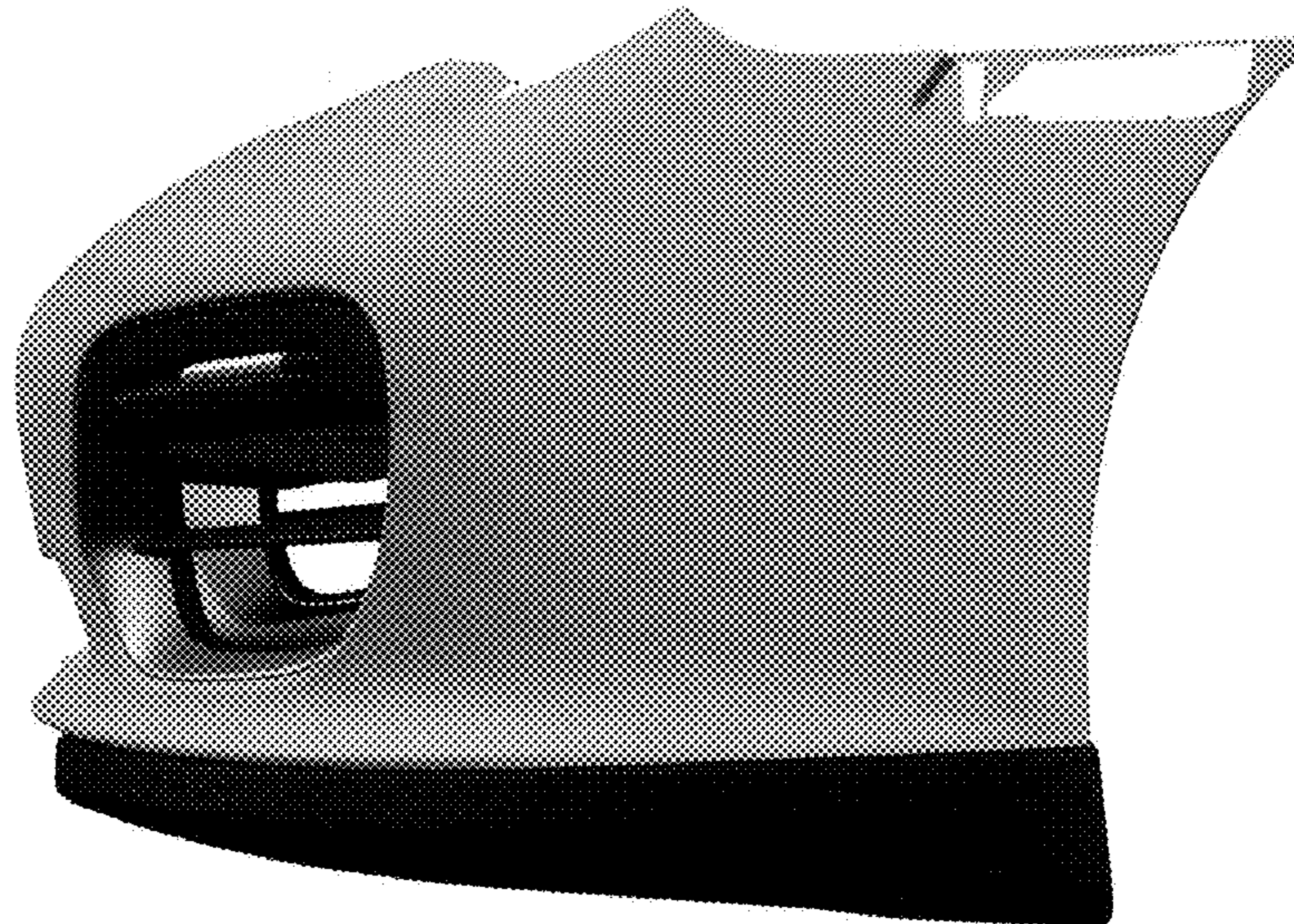


FIG. 4

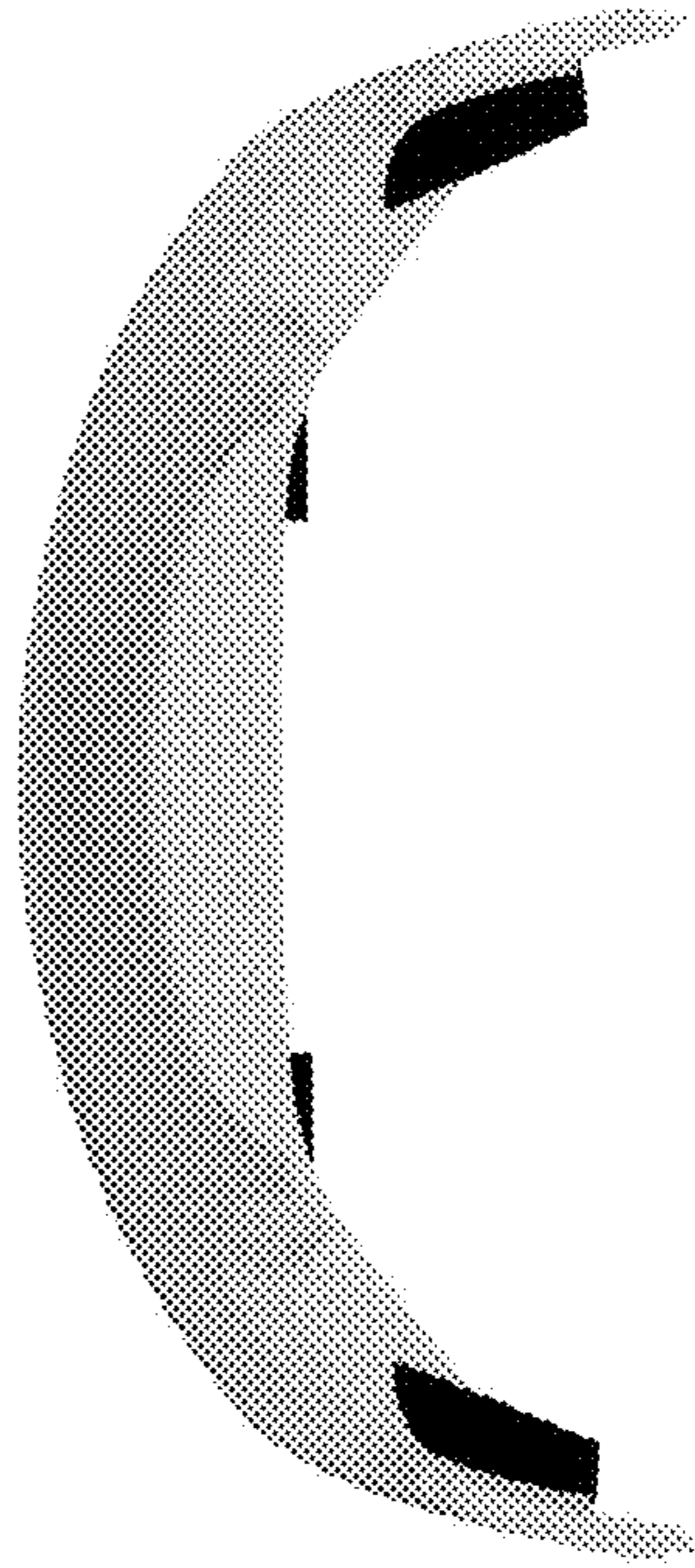


FIG. 5

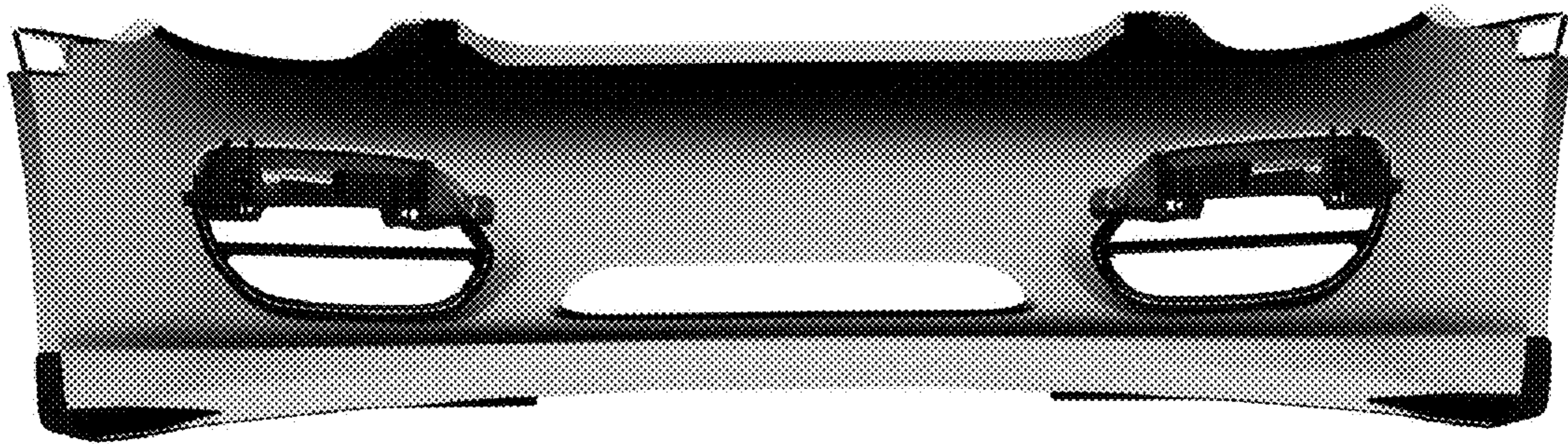


FIG. 6