



US00D607784S

(12) **United States Design Patent**
Gisbert

(10) **Patent No.:** **US D607,784 S**
(45) **Date of Patent:** **** Jan. 12, 2010**

(54) **CRANK SET**

(75) Inventor: **Inigo Gisbert**, Taichung Hsien (TW)

(73) Assignee: **Tien Hsin Industries Co., Ltd.**,
Taichung Hsien (TW)

(**) Term: **14 Years**

(21) Appl. No.: **29/334,409**

(22) Filed: **Mar. 26, 2009**

(51) **LOC (9) Cl.** **12-11**

(52) **U.S. Cl.** **D12/123**

(58) **Field of Classification Search** D12/123,
D12/111; 74/594.1-594.3; 474/152, 155-158,
474/160-162, 164; 280/259, 260
See application file for complete search history.

(56) **References Cited**

U.S. PATENT DOCUMENTS

4,475,894	A *	10/1984	Sugino	474/144
6,450,909	B1 *	9/2002	Yamanaka	474/160
6,475,110	B1 *	11/2002	Yamanaka	474/152
6,666,786	B2 *	12/2003	Yahata	474/152
D484,831	S *	1/2004	Chiang	D12/123

7,022,037	B2 *	4/2006	Valle	474/152
D532,342	S *	11/2006	Arakawa	D12/123
D555,048	S *	11/2007	Hanamura	D12/123
D580,303	S *	11/2008	Okada	D12/123

* cited by examiner

Primary Examiner—Cathron C Brooks

Assistant Examiner—Linda G. Brooks

(57) **CLAIM**

The ornamental design for a crank set, as shown and described.

DESCRIPTION

FIG. 1 is a perspective view of a crank set showing my new design;

FIG. 2 is a front elevational view thereof;

FIG. 3 is a rear elevational view thereof;

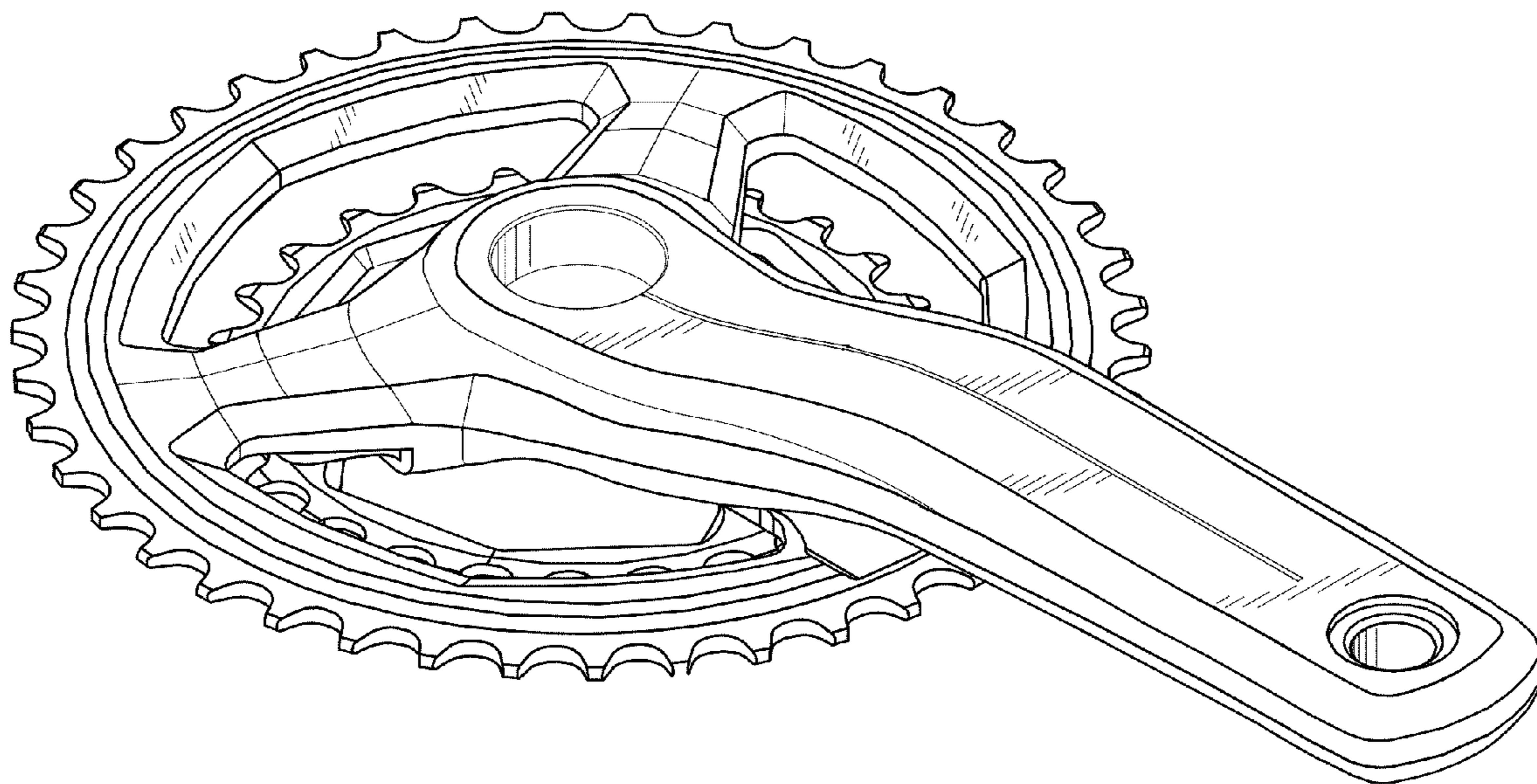
FIG. 4 is a left side view thereof;

FIG. 5 is a right side view thereof;

FIG. 6 is a top plan view thereof; and,

FIG. 7 is a bottom plan view thereof.

1 Claim, 6 Drawing Sheets



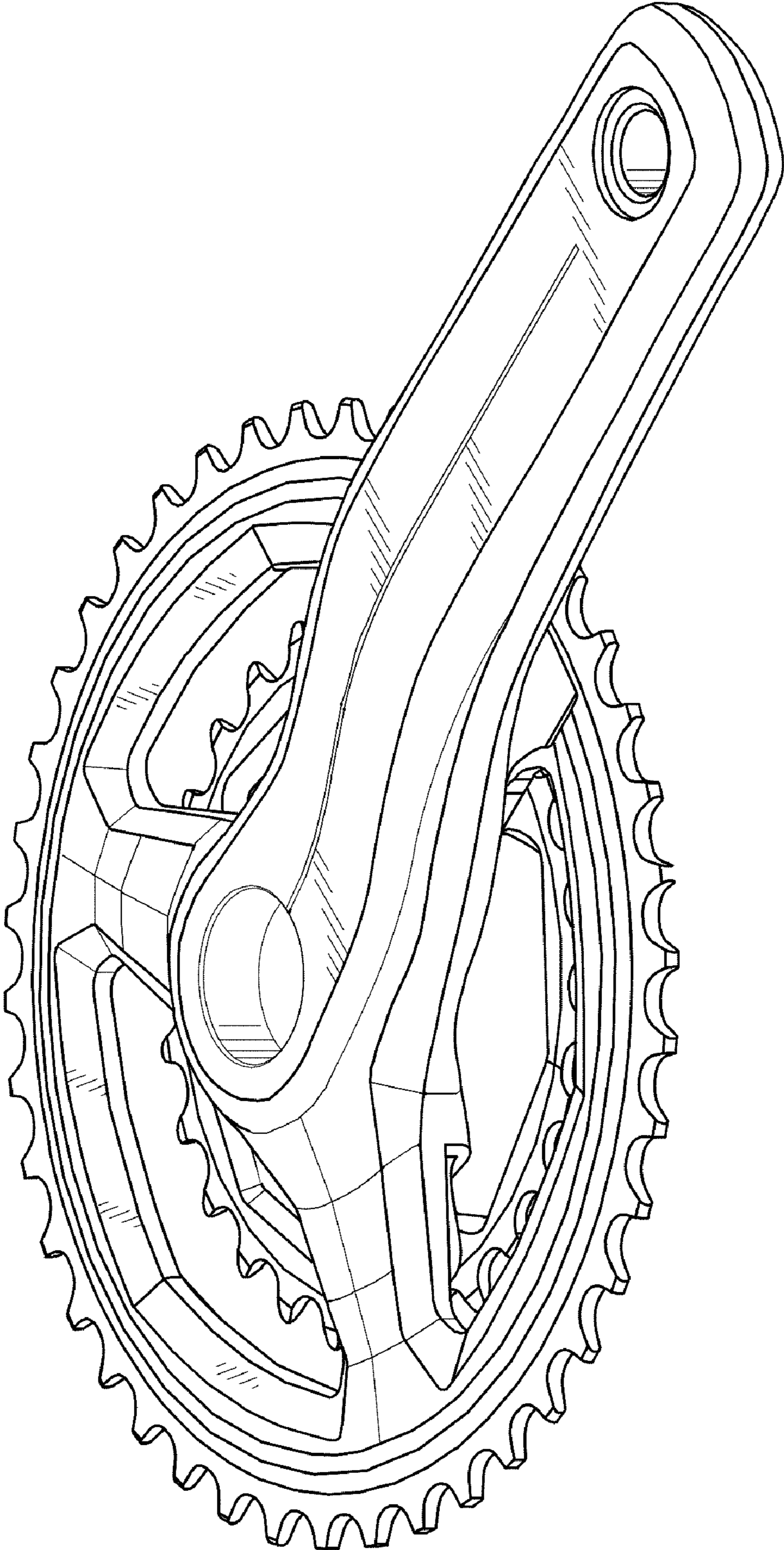


FIG. 1

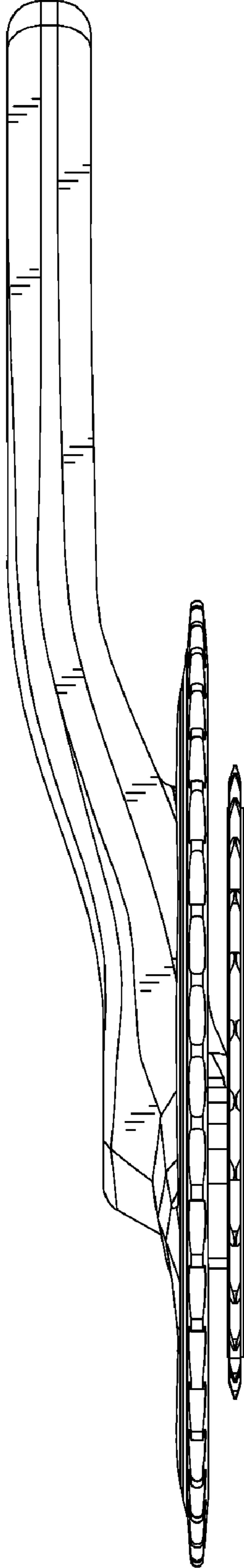


FIG. 2

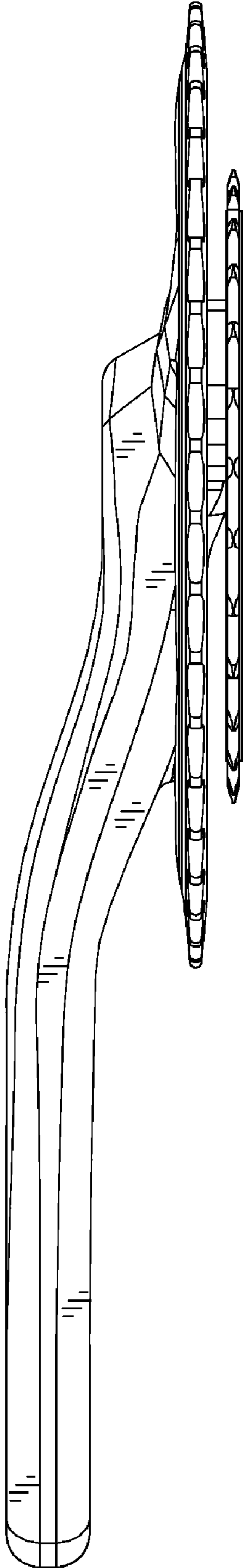


FIG. 3

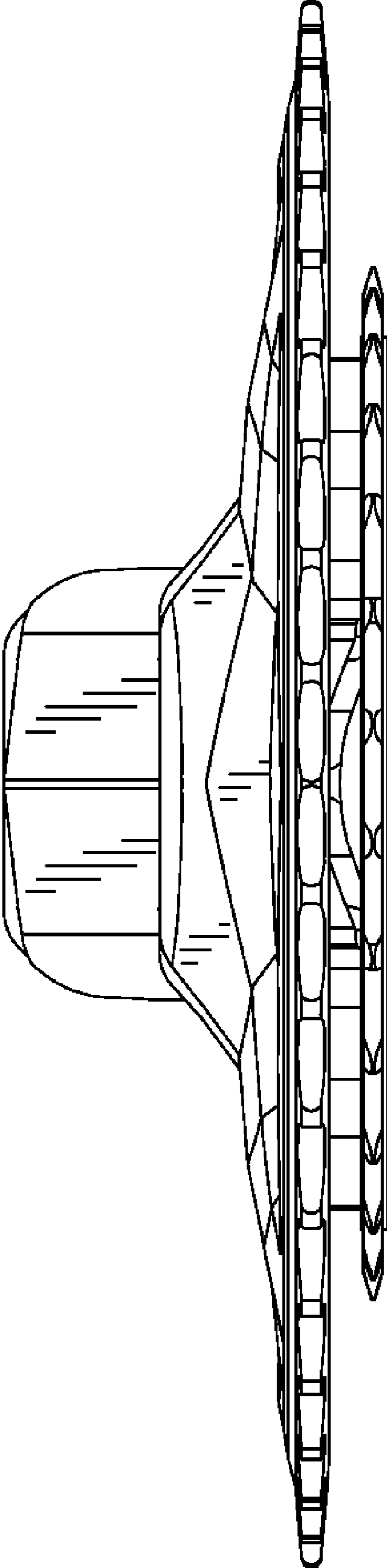


FIG. 4

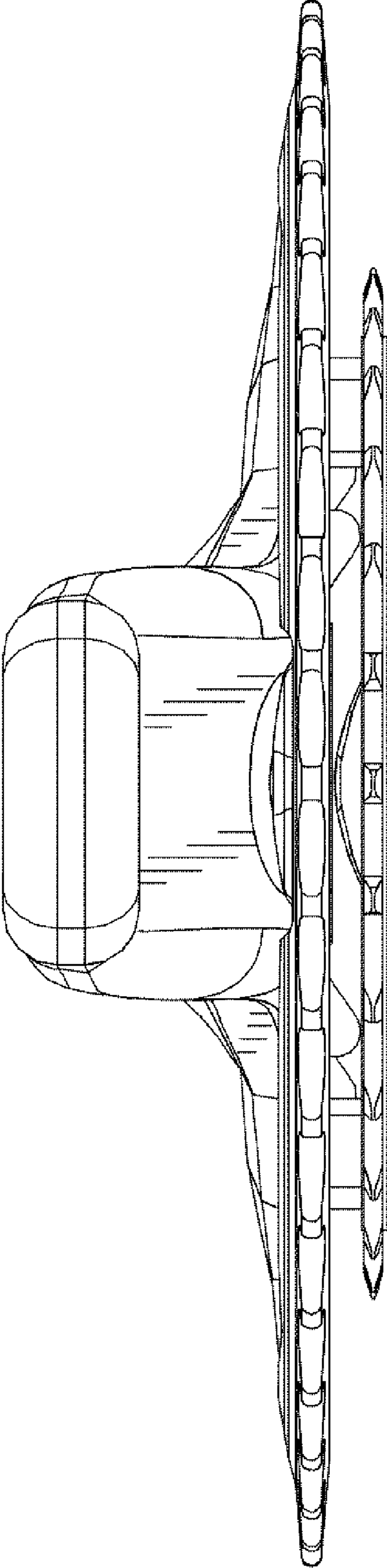


FIG. 5

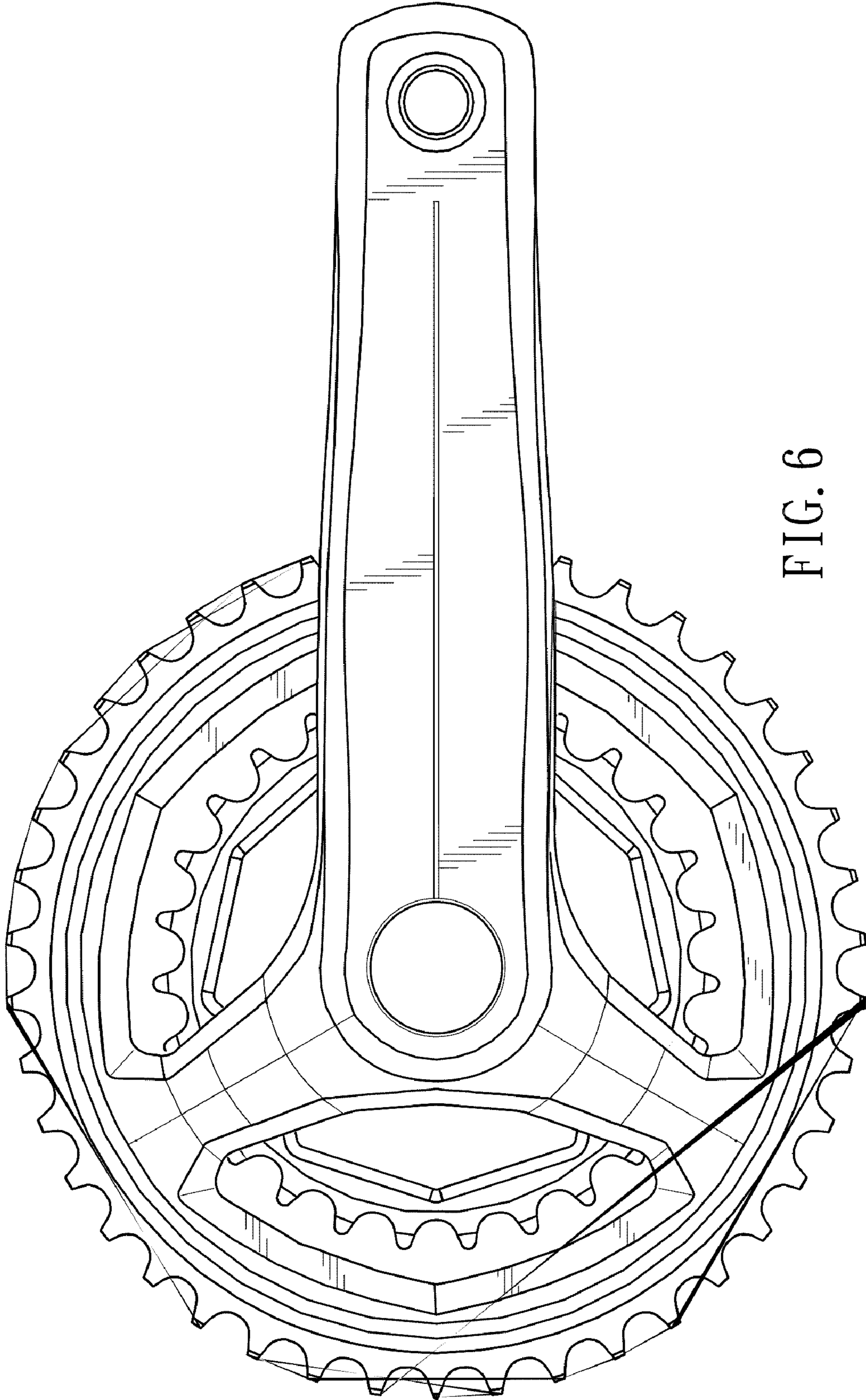


FIG. 6

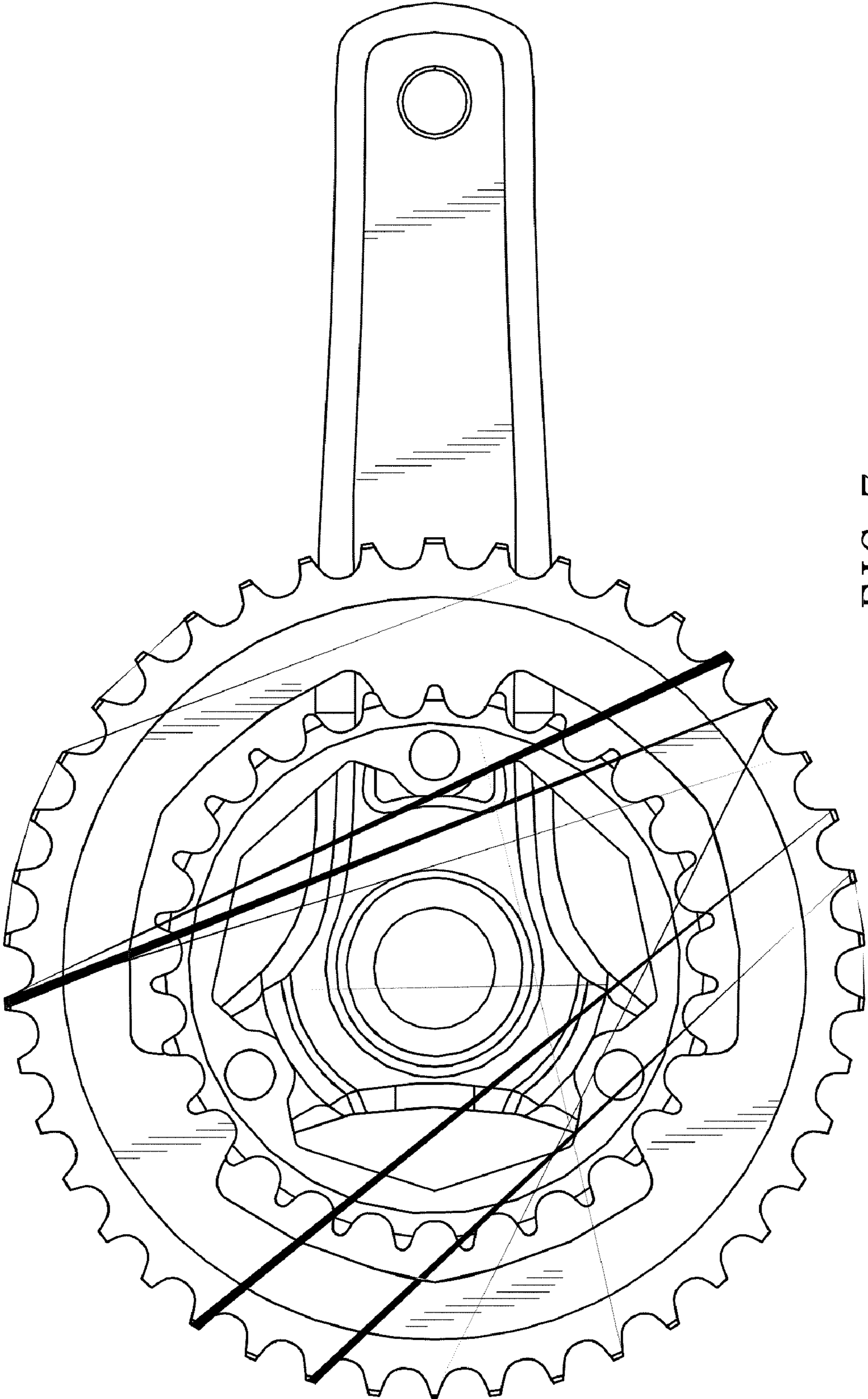


FIG. 7