

US00D607783S

(12) **United States Design Patent**
Roller et al.

(10) **Patent No.:** **US D607,783 S**
(45) **Date of Patent:** **** Jan. 12, 2010**

- (54) **MOTOR VEHICLE AND/OR TOY REPLICA THEREOF**
 - (75) Inventors: **Scott Roller**, Ann Arbor, MI (US);
Miljan Jevremovic, Ann Arbor, MI (US); **Kevin Chun**, Ann Arbor, MI (US)
 - (73) Assignee: **Toyota Jidosha Kabushiki Kaisha** (JP)
 - (**) Term: **14 Years**
 - (21) Appl. No.: **29/334,679**
 - (22) Filed: **Mar. 31, 2009**
 - (51) **LOC (9) Cl.** **12-08**
 - (52) **U.S. Cl.** **D12/98**
 - (58) **Field of Classification Search** D12/86,
D12/90-92, 98; 296/181.1, 181.5, 183.1,
296/37.6
- See application file for complete search history.

- D570,742 S * 6/2008 Takagi et al. D12/98
- D570,743 S * 6/2008 Takagi et al. D12/98
- D596,532 S * 7/2009 Opfer et al. D12/98

OTHER PUBLICATIONS

Toyota Tundra, 2007, <http://www.netcarshow.com>.

* cited by examiner

Primary Examiner—Melody N Brown

(74) *Attorney, Agent, or Firm*—Saidman DesignLaw Group

(57) **CLAIM**

The ornamental design for a motor vehicle and/or toy replica thereof, as shown and described.

DESCRIPTION

FIG. 1 is a front perspective view of a motor vehicle and/or toy replica thereof showing our new design;

FIG. 2 is a rear perspective view thereof;

FIG. 3 is a right-side view thereof;

FIG. 4 is a top view thereof;

FIG. 5 is a front view thereof; and,

FIG. 6 is a rear view thereof.

1 Claim, 2 Drawing Sheets

(56) **References Cited**
U.S. PATENT DOCUMENTS

- D509,772 S * 9/2005 Hattori et al. D12/98
- D536,644 S * 2/2007 Shimoguchi et al. D12/98
- D537,016 S * 2/2007 Shimoguchi et al. D12/98
- D537,385 S * 2/2007 Shimoguchi et al. D12/98





FIG. 1



FIG. 2

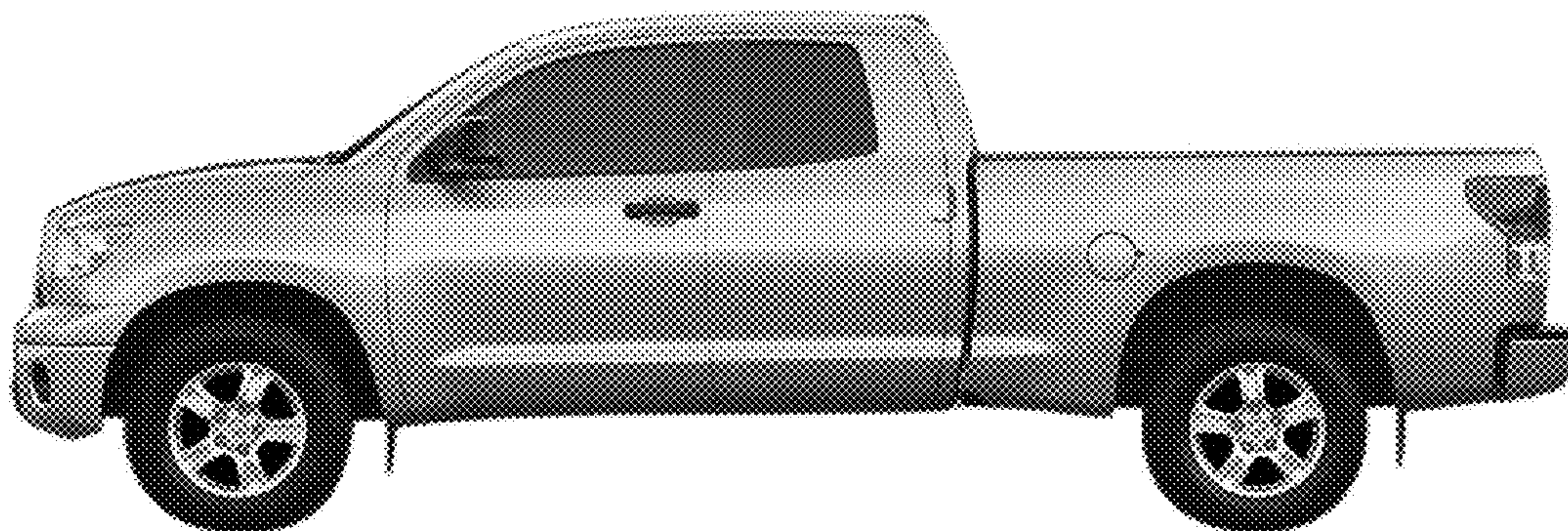


FIG. 3

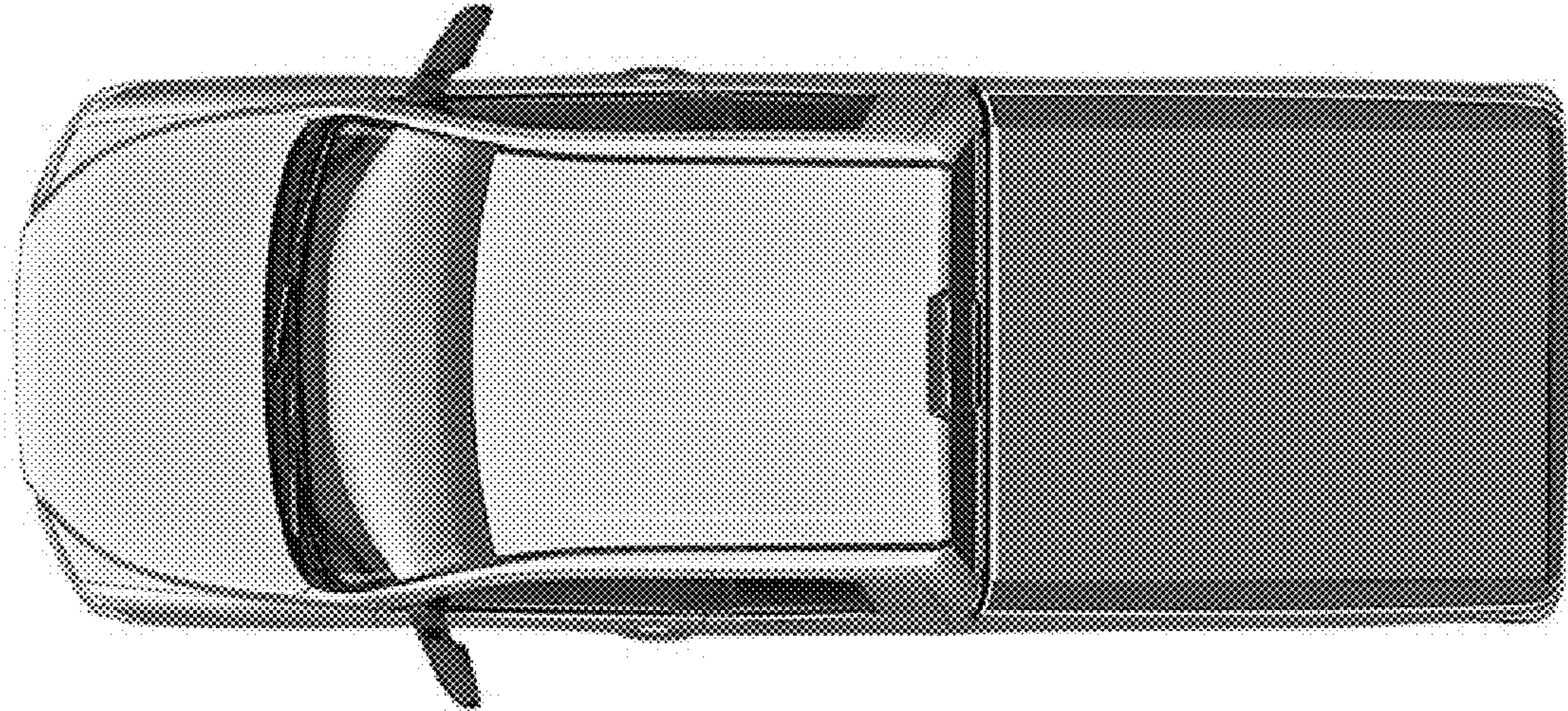


FIG. 4



FIG. 5



FIG. 6