



US00D607777S

(12) **United States Design Patent**
Lobel

(10) **Patent No.:** **US D607,777 S**
(45) **Date of Patent:** **** Jan. 12, 2010**

(54) **PULL TAB FOR A SLIDE FASTENER**

D579,376 S * 10/2008 Hsiao D11/221
D579,378 S * 10/2008 Lobel D11/221

(75) Inventor: **Michelle Gut Lobel**, Beverly Hills, CA
(US)

* cited by examiner

Primary Examiner—R. Seifert

(73) Assignee: **Ideal Fastener Corporation**, Oxford,
NC (US)

(57) **CLAIM**

(**) Term: **14 Years**

The ornamental design for a pull tab for a slide fastener, as shown and described.

(21) Appl. No.: **29/324,292**

(22) Filed: **Sep. 10, 2008**

DESCRIPTION

(51) **LOC (9) Cl.** **15-07**

(52) **U.S. Cl.** **D11/221**

(58) **Field of Classification Search** D11/200,
D11/201, 221; 24/381–383, 385–387, 414–417,
24/421–422, 427–431, 433; 2/265
See application file for complete search history.

FIG. 1 is a front view illustrating a pull tab for a slide fastener;
FIG. 2 is a bottom view of the pull tab;
FIG. 3 is a top view of the pull tab;
FIG. 4 is a left side view of the pull tab;
FIG. 5 is a right side view of the pull tab;
FIG. 6 is a section view of the pull tab taken along the line
6—6 of FIG. 1; and,

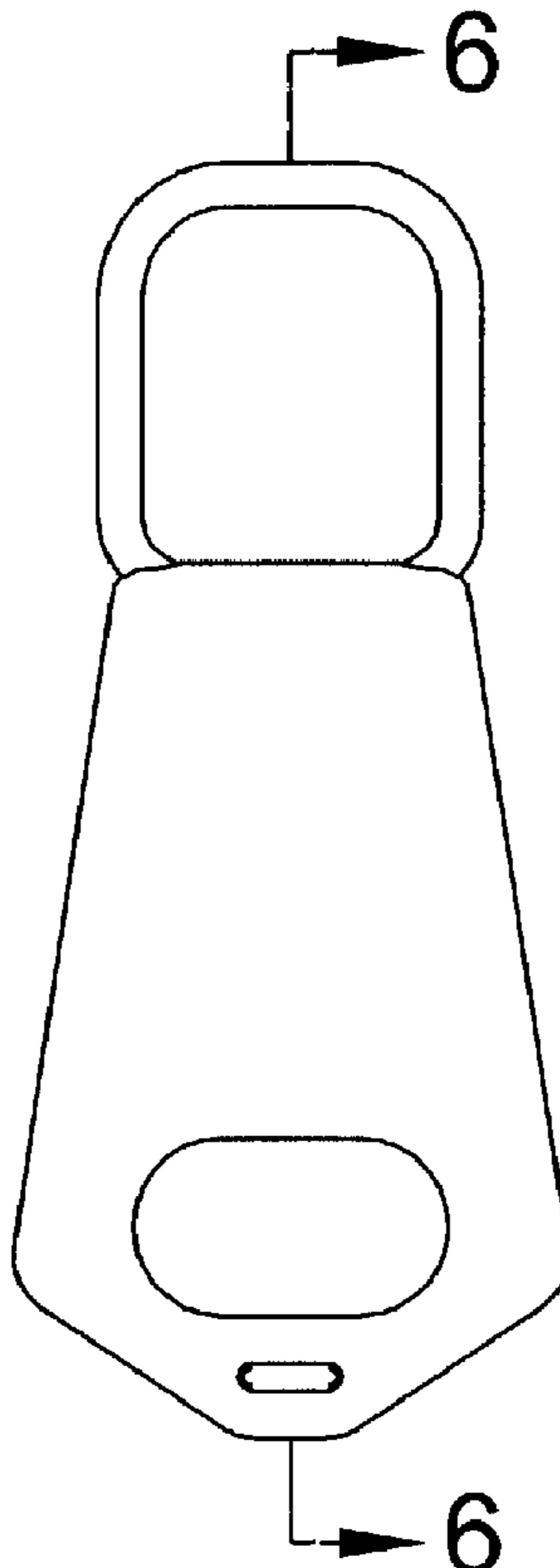
FIG. 7 is a front view showing the pull tab of FIG. 1 in
connection with a slide fastener slider body, the slide fastener
body being for illustrative purposes only and forms no part of
the claimed design.

(56) **References Cited**

U.S. PATENT DOCUMENTS

1,856,843 A * 5/1932 Bebel 24/416
2,119,352 A * 5/1938 Puc 24/418
D525,906 S * 8/2006 Gut D11/221
D563,829 S * 3/2008 Lobel D11/221

1 Claim, 2 Drawing Sheets



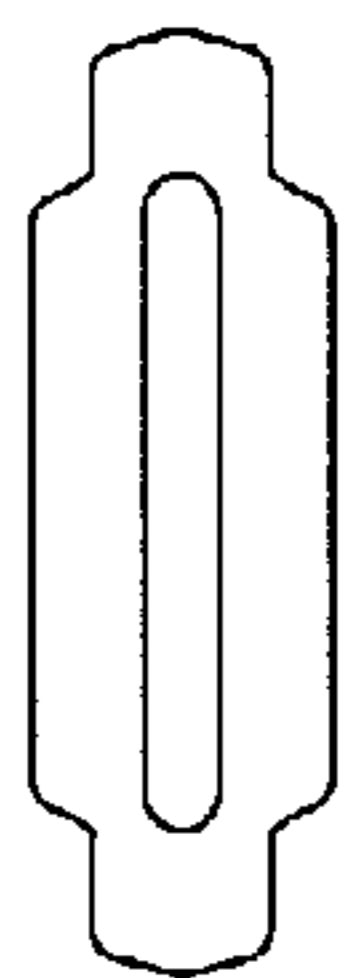


Fig. 3

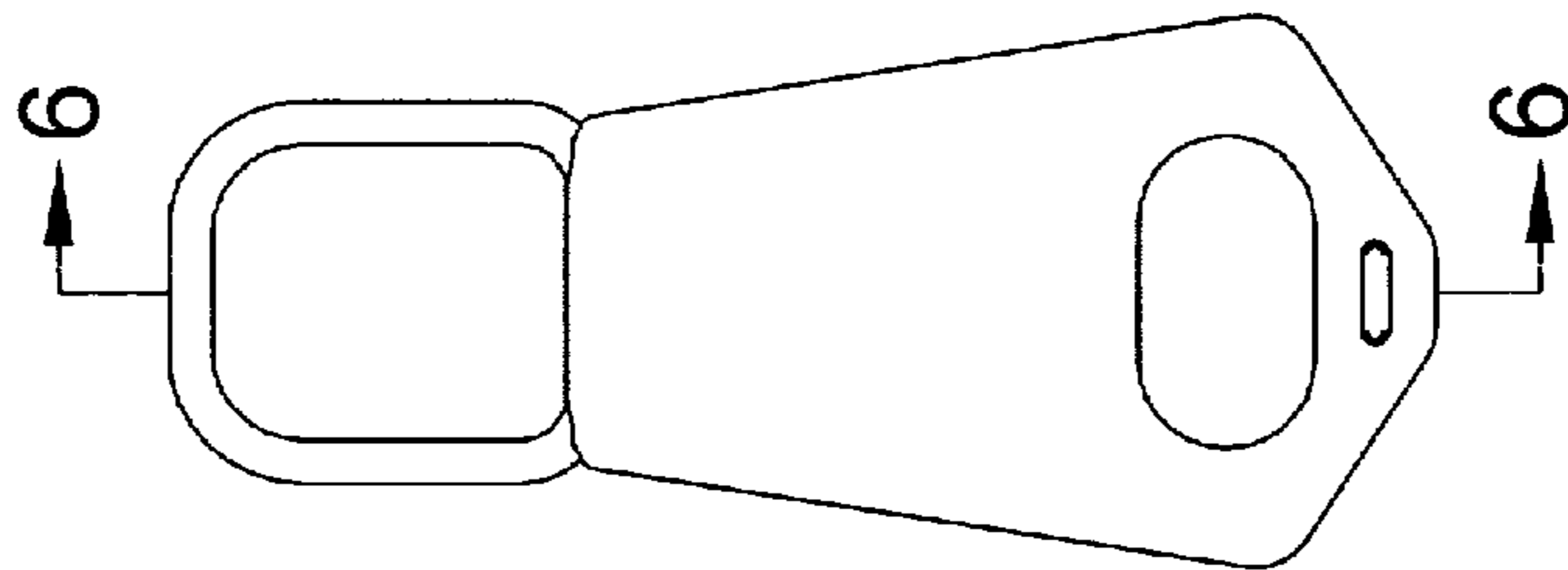


Fig. 1

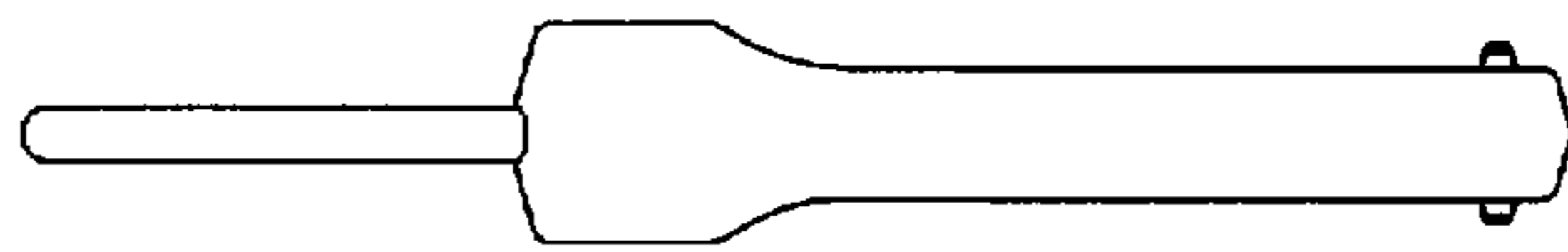


Fig. 4



Fig. 5

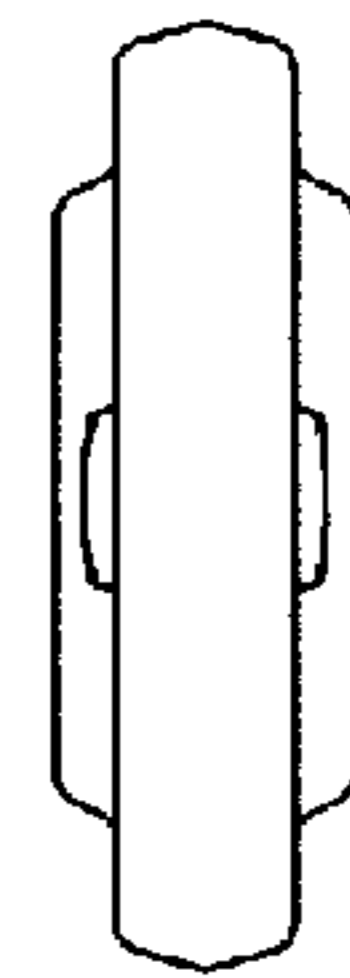


Fig. 2

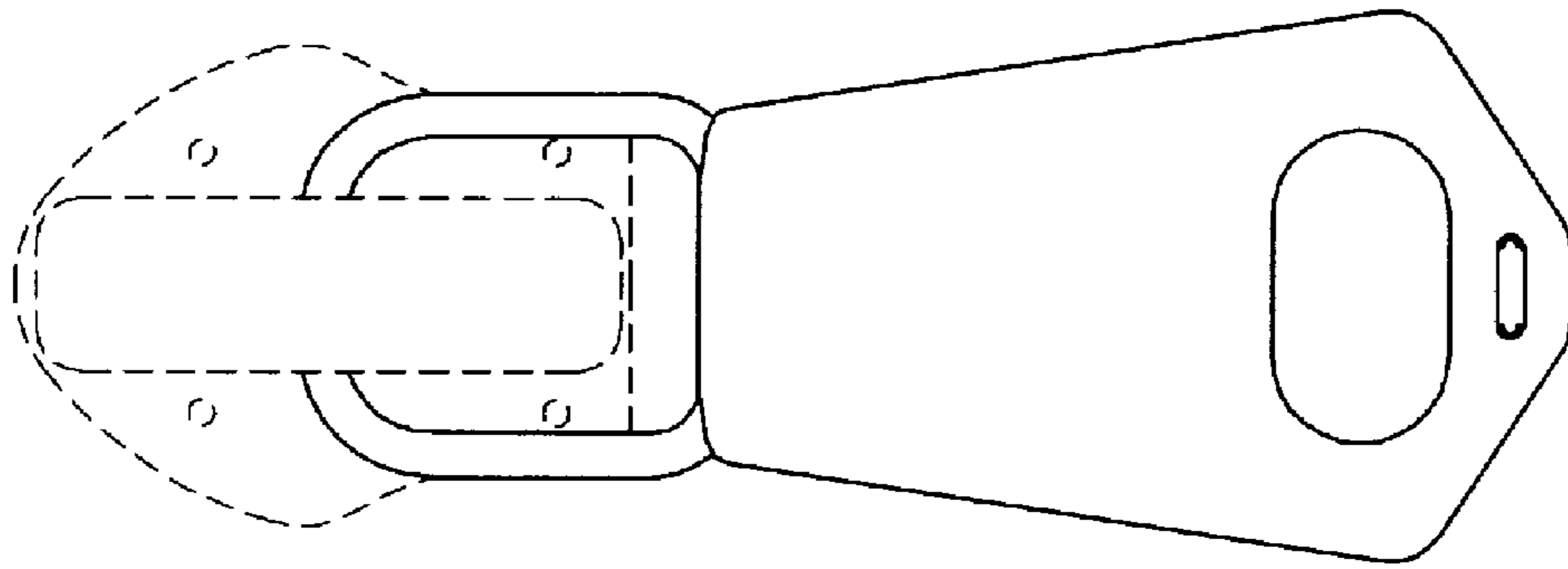


Fig. 7

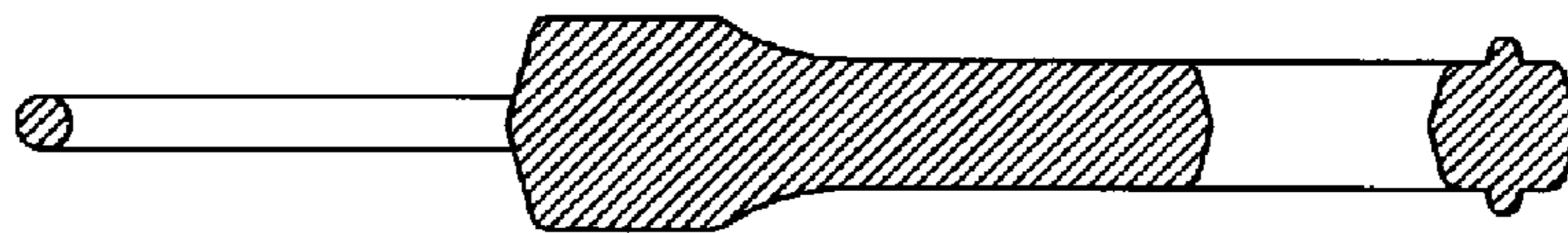


Fig. 6