



US00D607775S

(12) **United States Design Patent**
Miyazaki et al.

(10) **Patent No.:** **US D607,775 S**
(45) **Date of Patent:** **** Jan. 12, 2010**

(54) **SLIDER FOR SLIDE FASTENER**

D497,836 S * 11/2004 Iwase D11/221
D579,379 S * 10/2008 Lin D11/221

(75) Inventors: **Yohei Miyazaki**, Kurobe (JP); **Keiichi Keyaki**, Kurobe (JP)

FOREIGN PATENT DOCUMENTS

(73) Assignee: **YKK Corporation**, Tokyo (JP)

CN ZL200630087751.8 5/2007

(**) Term: **14 Years**

* cited by examiner

(21) Appl. No.: **29/317,405**

Primary Examiner—R. Seifert

(22) Filed: **Apr. 29, 2008**

(74) *Attorney, Agent, or Firm*—Alston & Bird LLP

(30) **Foreign Application Priority Data**

(57) **CLAIM**

Nov. 2, 2007 (JP) 2007-030439

The ornamental design for a slider for slide fastener, as shown and described.

(51) **LOC (9) Cl.** **02-07**

DESCRIPTION

(52) **U.S. Cl.** **D11/221**

FIG. 1 is a perspective view of the top, front and right side of a slider for slide fastener showing our new design;

(58) **Field of Classification Search** D11/200,
D11/201, 221; 24/381–383, 385–387, 414–417,
24/421–422, 427–431, 433; 2/265
See application file for complete search history.

FIG. 2 is front view thereof;

FIG. 3 is a rear view thereof;

FIG. 4 is a top plan view thereof;

FIG. 5 is a bottom view thereof; and,

FIG. 6 is a right side view thereof, the left side view is mirror image thereof.

(56) **References Cited**

U.S. PATENT DOCUMENTS

D291,670 S 9/1987 Takabatake
D366,230 S * 1/1996 Aoki D11/221

1 Claim, 4 Drawing Sheets



FIG. 1



FIG.3

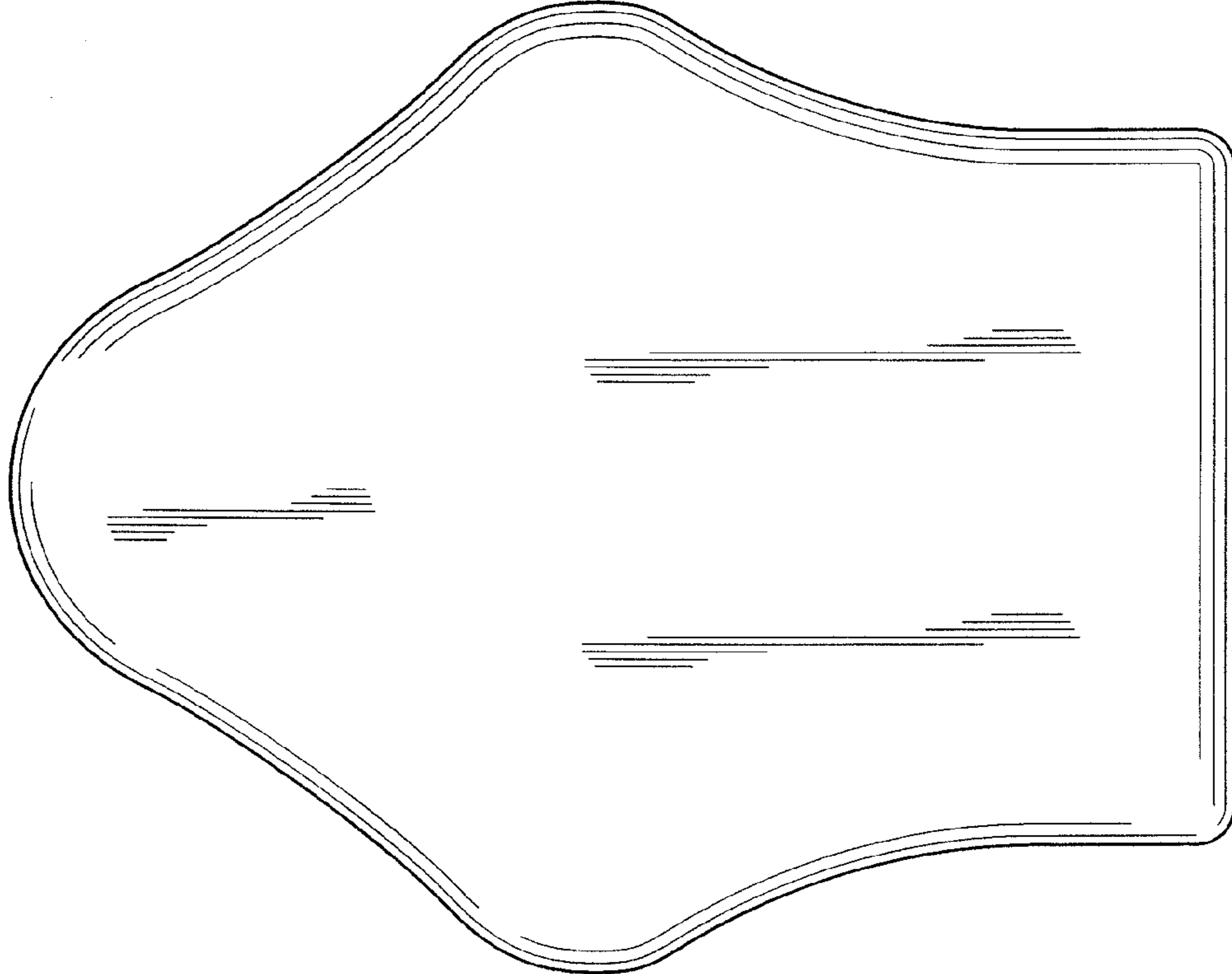


FIG.2

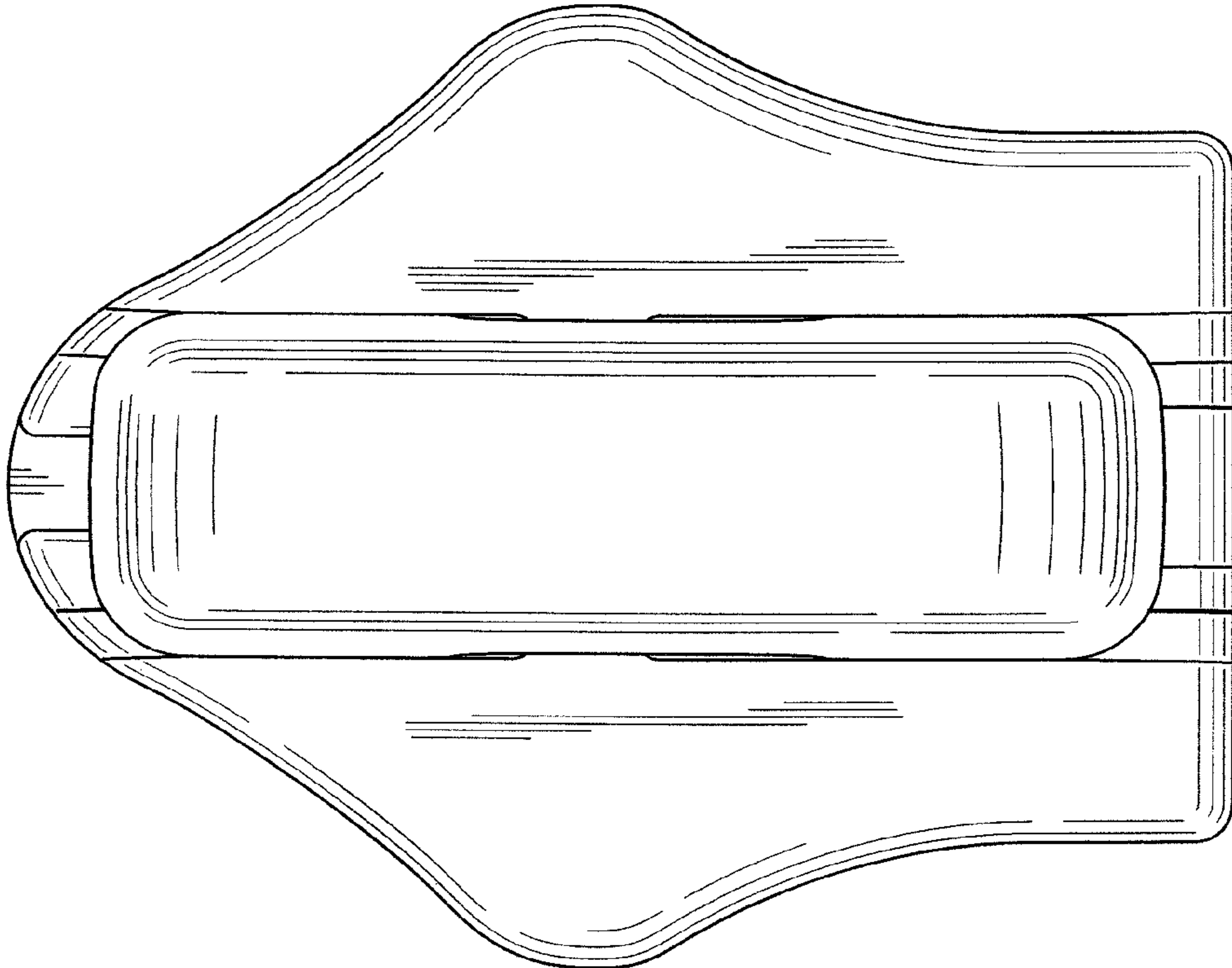


FIG.4

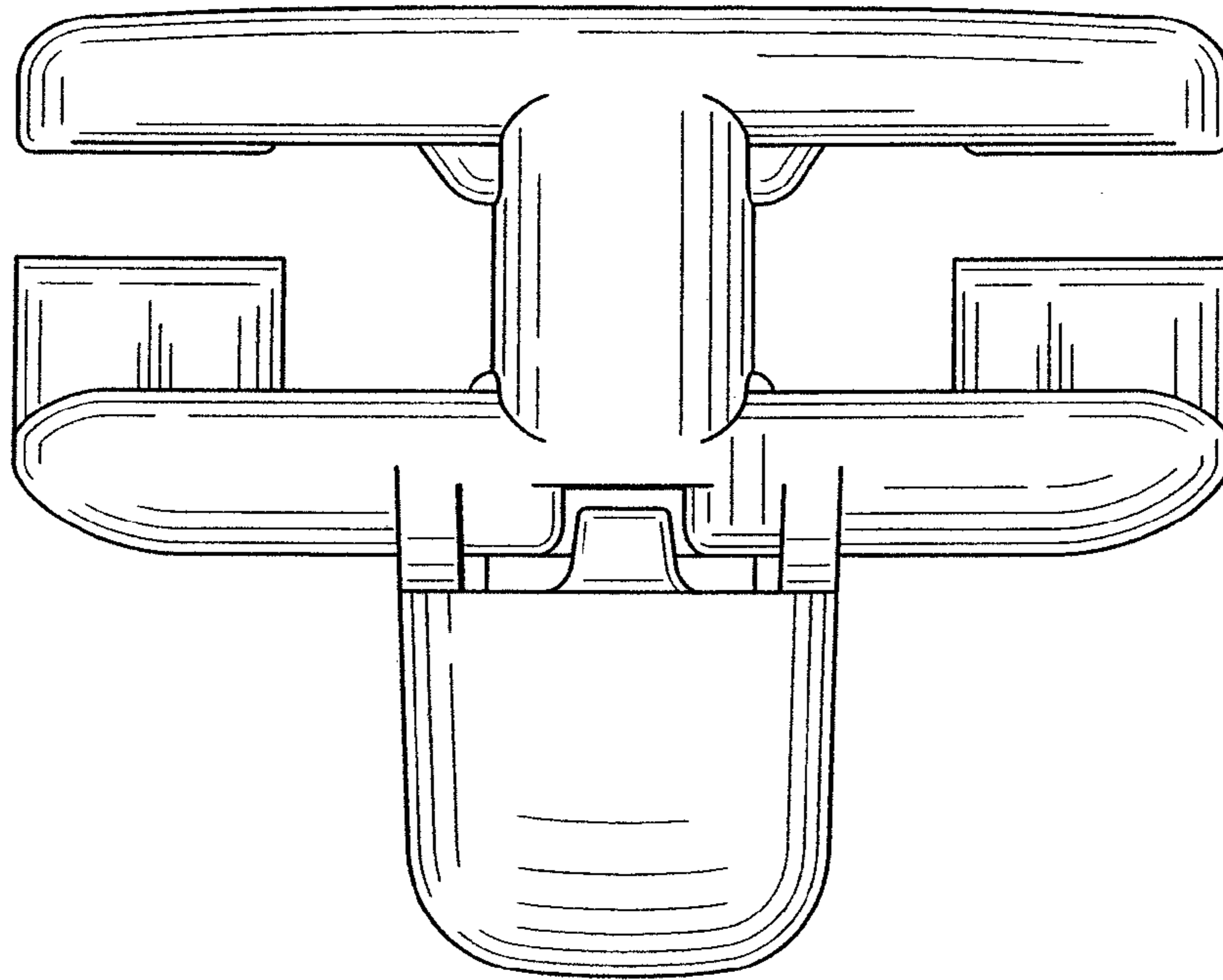


FIG.5

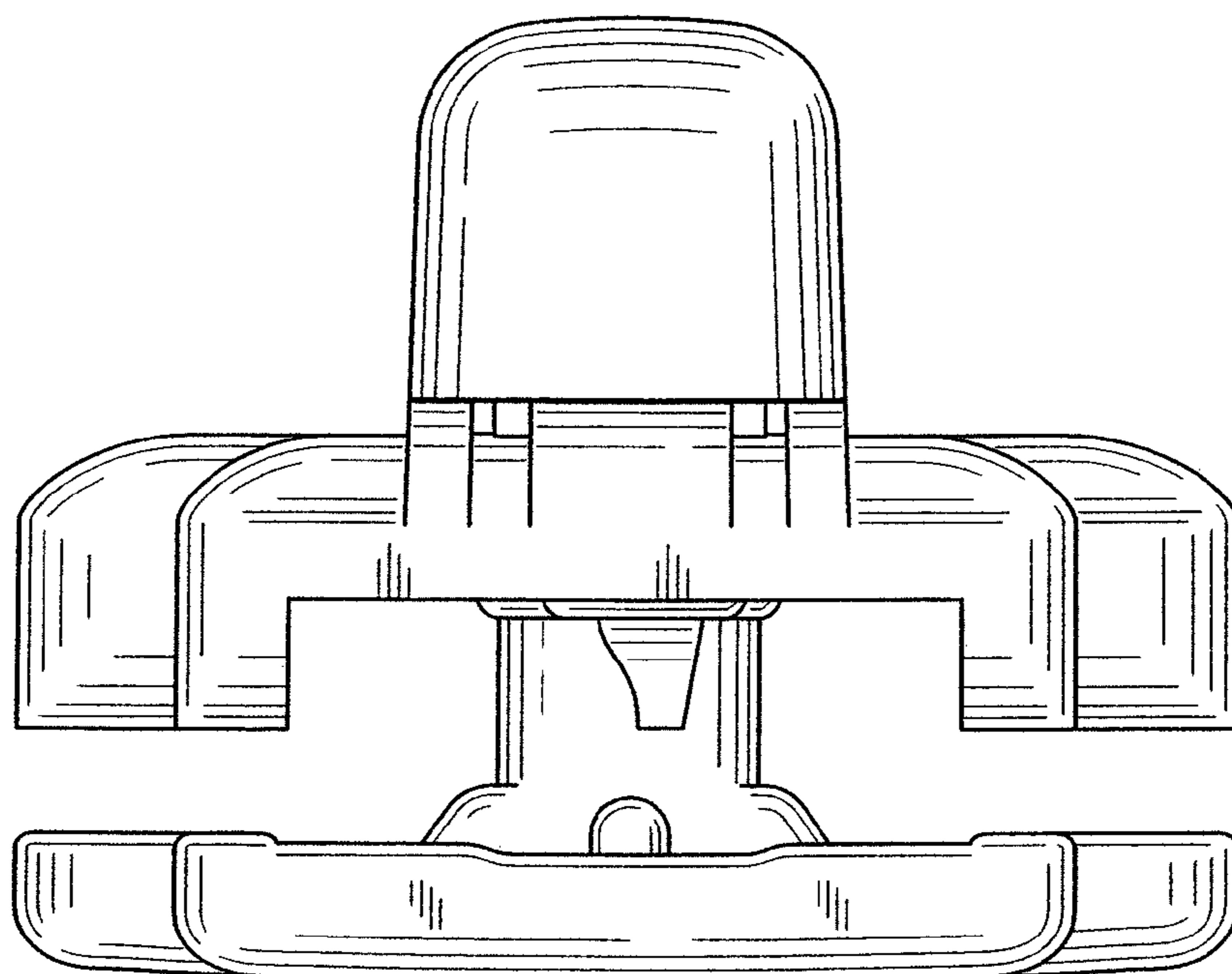


FIG.6

