



US00D607771S

(12) **United States Design Patent**
Steinweiss

(10) **Patent No.:** **US D607,771 S**

(45) **Date of Patent:** **** Jan. 12, 2010**

(54) **GEMSTONE SETTING**

(76) **Inventor:** **Leslie Steinweiss**, 699 Madison Ave.,
4th Fl., New York, NY (US) 10065

(**) **Term:** **14 Years**

(21) **Appl. No.:** **29/331,851**

(22) **Filed:** **Feb. 3, 2009**

(51) **LOC (9) Cl.** **11-01**

(52) **U.S. Cl.** **D11/91**

(58) **Field of Classification Search** D11/89-94,
D11/1, 2, 3, 6-12, 16, 24-28, 34-43, 79,
D11/70, 222, 47, 75; 63/1.11-14.1, 15-15.4,
63/20, 22, 23, 26-33; D10/32, 30; D9/430
See application file for complete search history.

(56) **References Cited**

U.S. PATENT DOCUMENTS

D399,448 S *	10/1998	Dunlap	D11/6
D404,330 S *	1/1999	Gruosi	D11/3
D406,247 S *	3/1999	Chia et al.	D11/93
D412,680 S *	8/1999	Philipson et al.	D11/8
D472,840 S *	4/2003	Visick	D11/3
D480,323 S *	10/2003	Levi	D11/91
D497,566 S *	10/2004	Pucci	D11/11
D499,660 S *	12/2004	Noel	D11/26
D502,662 S *	3/2005	Rapport	D11/3
D517,937 S *	3/2006	Bulgari	D11/79
D520,900 S *	5/2006	Nelson	D11/79
D534,424 S *	1/2007	Ellman et al.	D9/430
D579,814 S *	11/2008	Mouquet	D11/79

* cited by examiner

Primary Examiner—T. Chase Nelson

Assistant Examiner—David G Muller

(74) *Attorney, Agent, or Firm*—Jennifer Meredith; Meredith
& Keyhani, PLLC

(57) **CLAIM**

The ornamental design for a gemstone setting, as shown and described.

DESCRIPTION

FIG. 1 is a top perspective view of a gemstone setting according to the present invention;

FIG. 2 is a top plan view thereof;

FIG. 3 is a side perspective view thereof;

FIG. 4 is another side perspective view thereof;

FIG. 5 is a top rear perspective view thereof;

FIG. 6 is a bottom rear perspective view thereof;

FIG. 7 is a perspective view thereof attached to a necklace, the necklace and attachment loop shown in broken line forming no part of the claimed design;

FIG. 8 is a front elevation view of the gemstone setting of FIG. 1;

FIG. 9 is a side elevation view thereof;

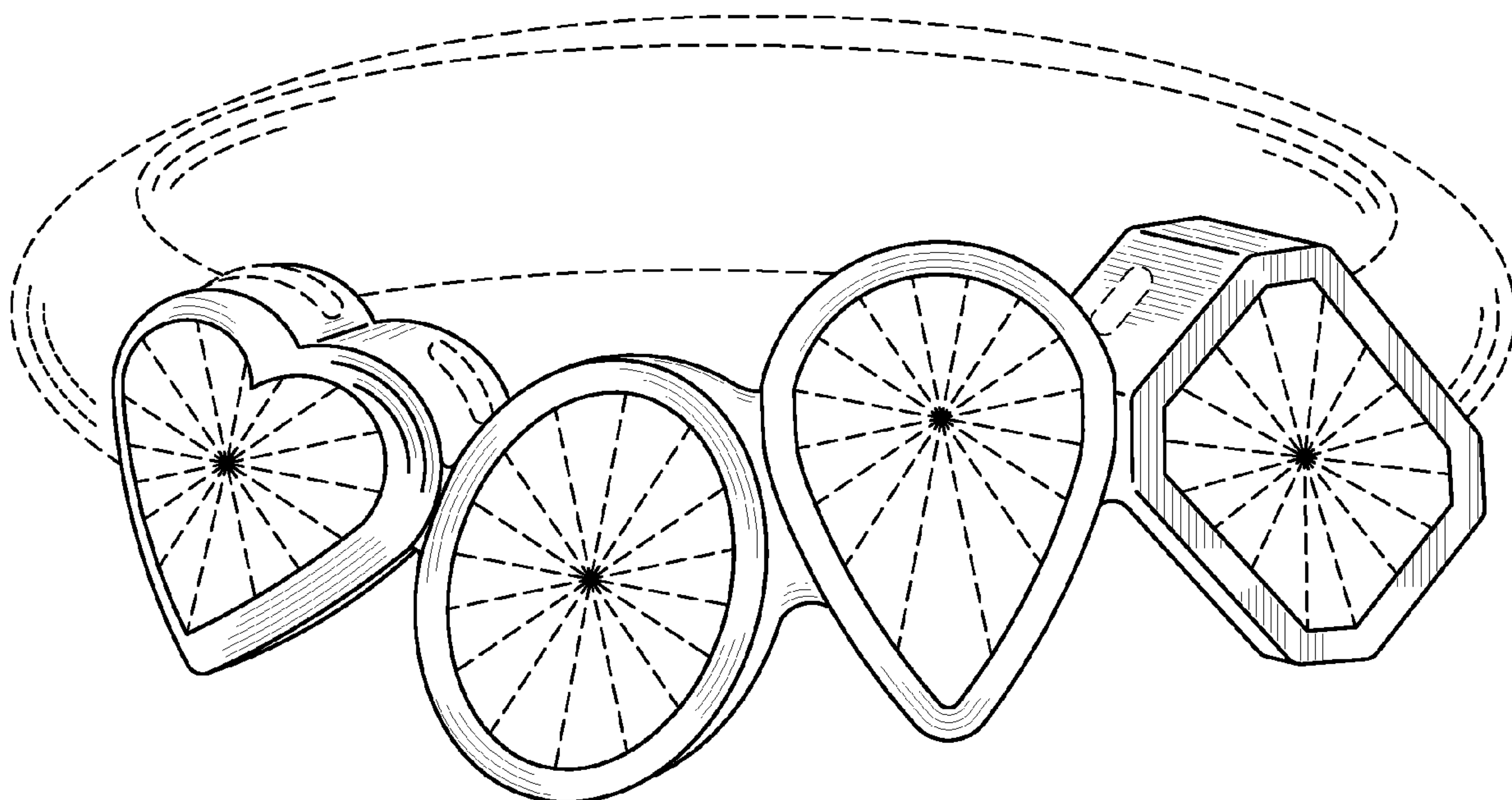
FIG. 10 is another side elevation view thereof;

FIG. 11 is a bottom plan view thereof; and,

FIG. 12 is a rear elevation view thereof.

The broken line showing of parts of the drawings is included for the purpose of illustrating use and environment and forms no part of the claimed design.

1 Claim, 12 Drawing Sheets



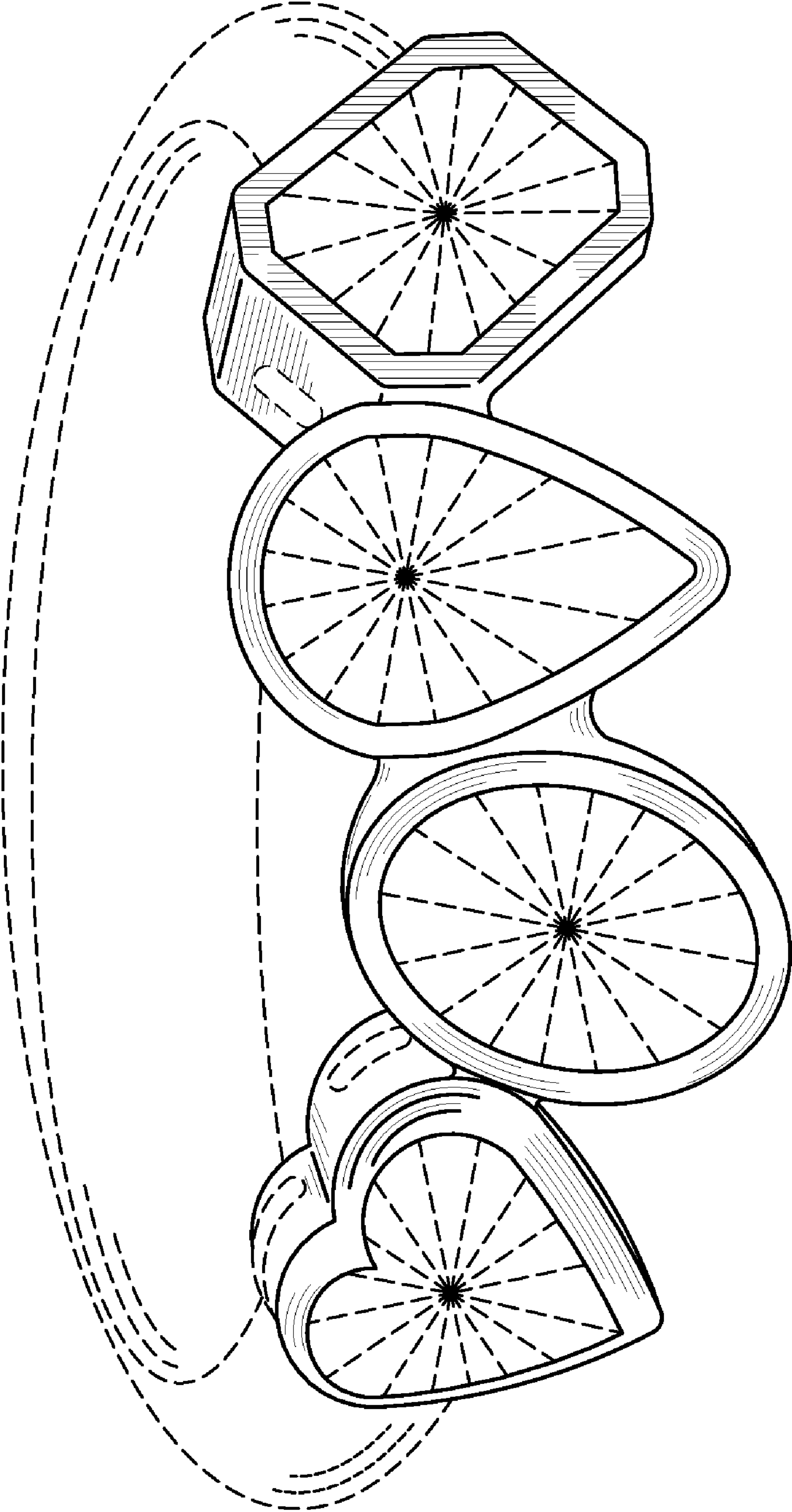


FIG. 1

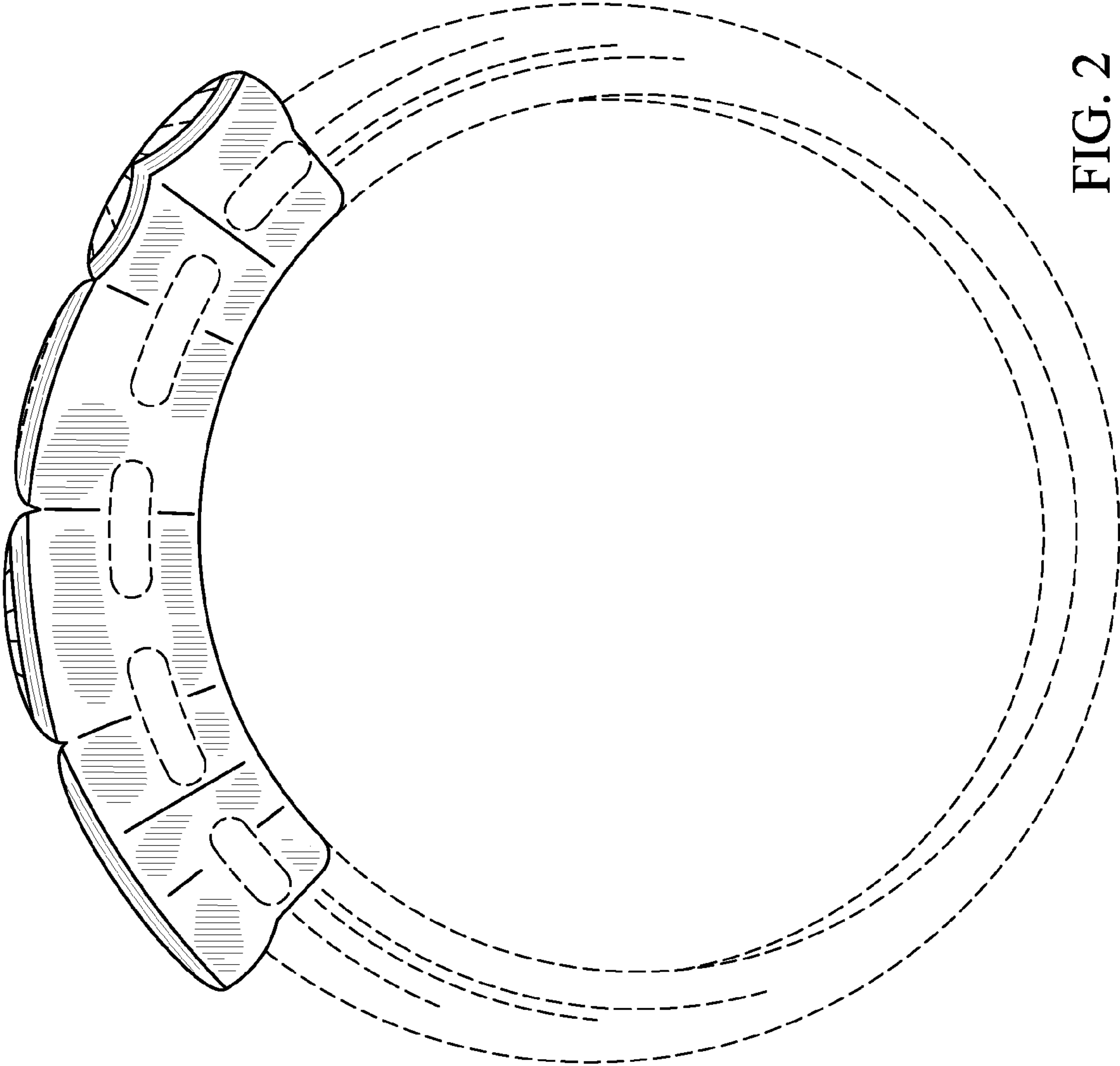


FIG. 2

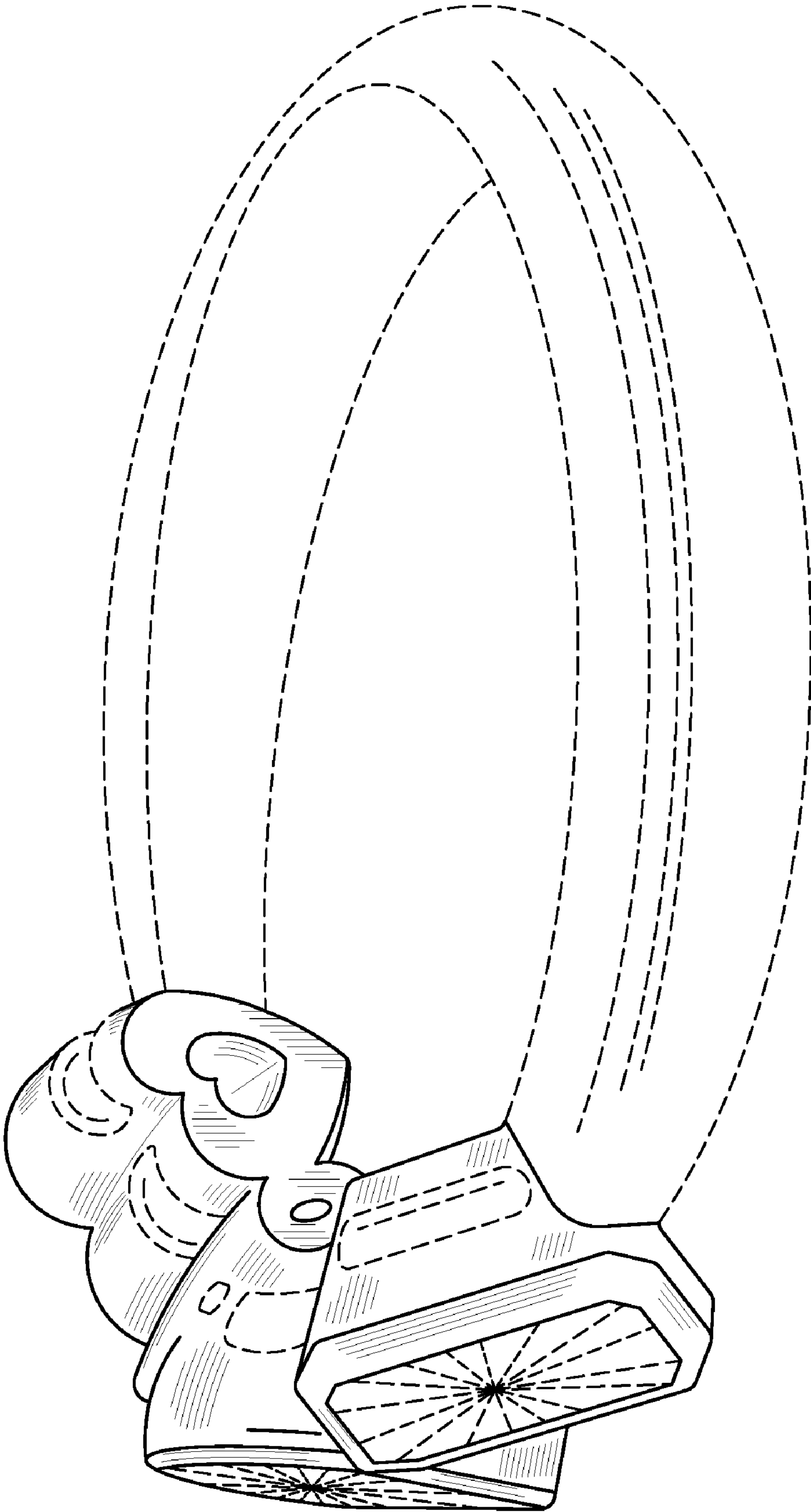


FIG. 3

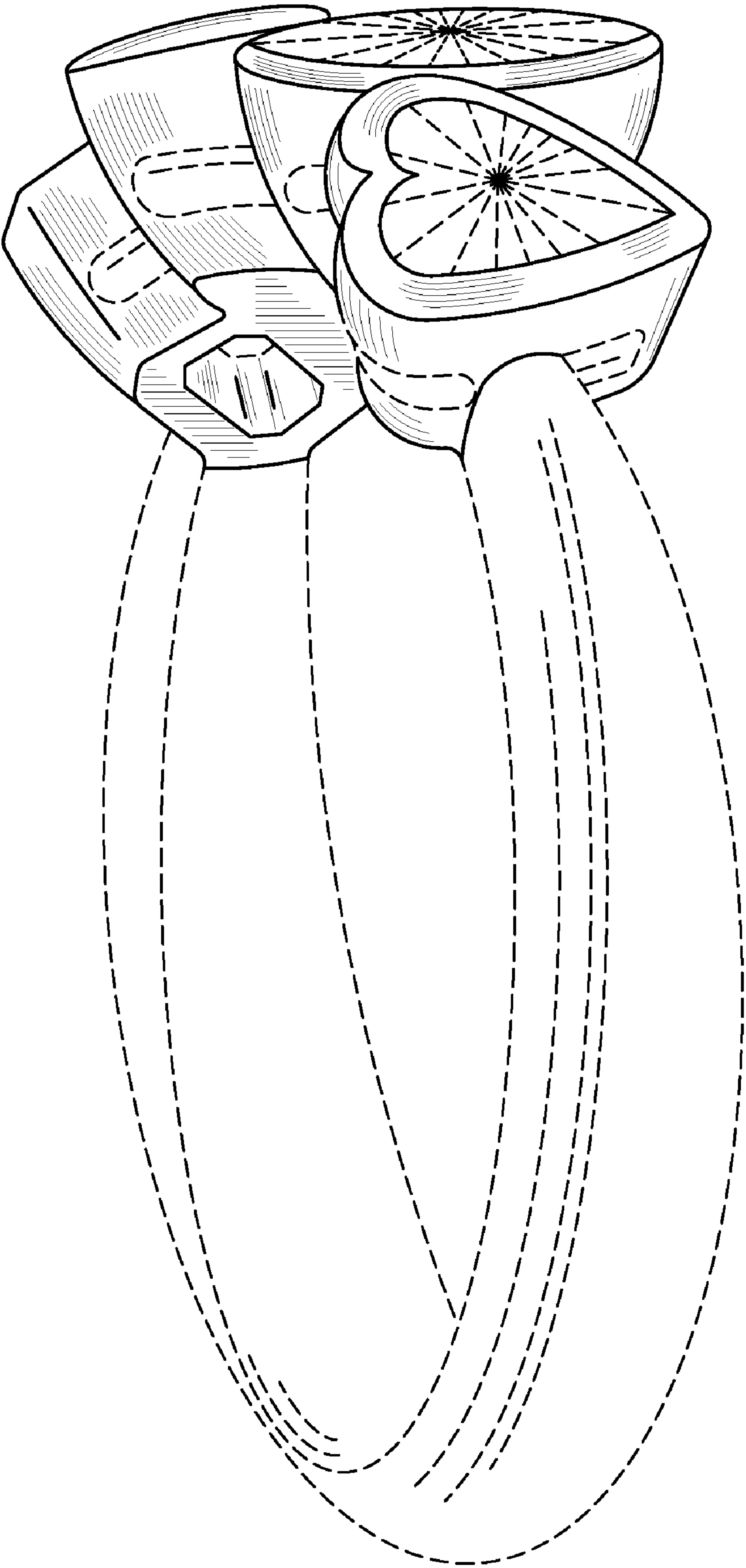


FIG. 4

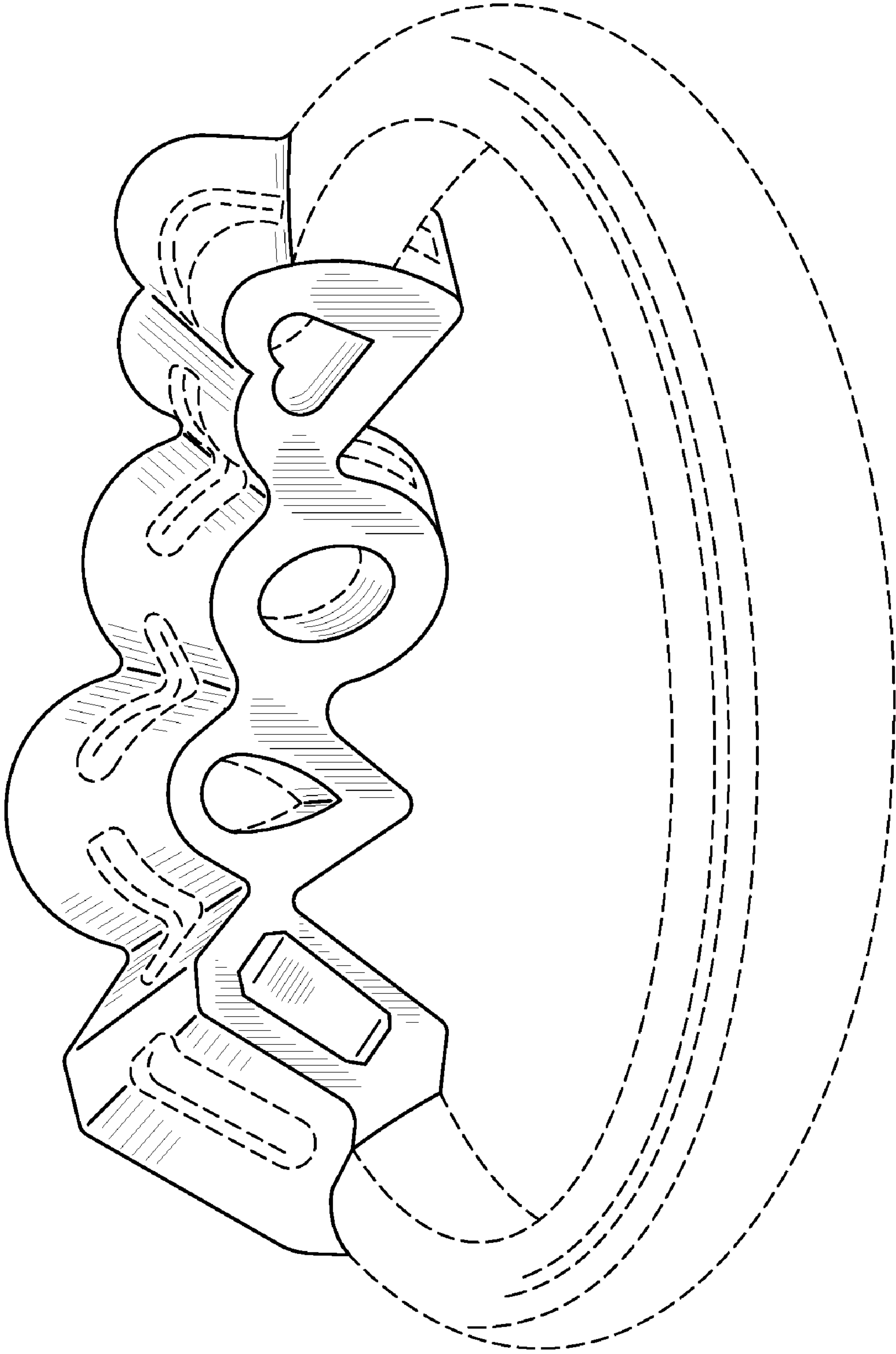


FIG. 5

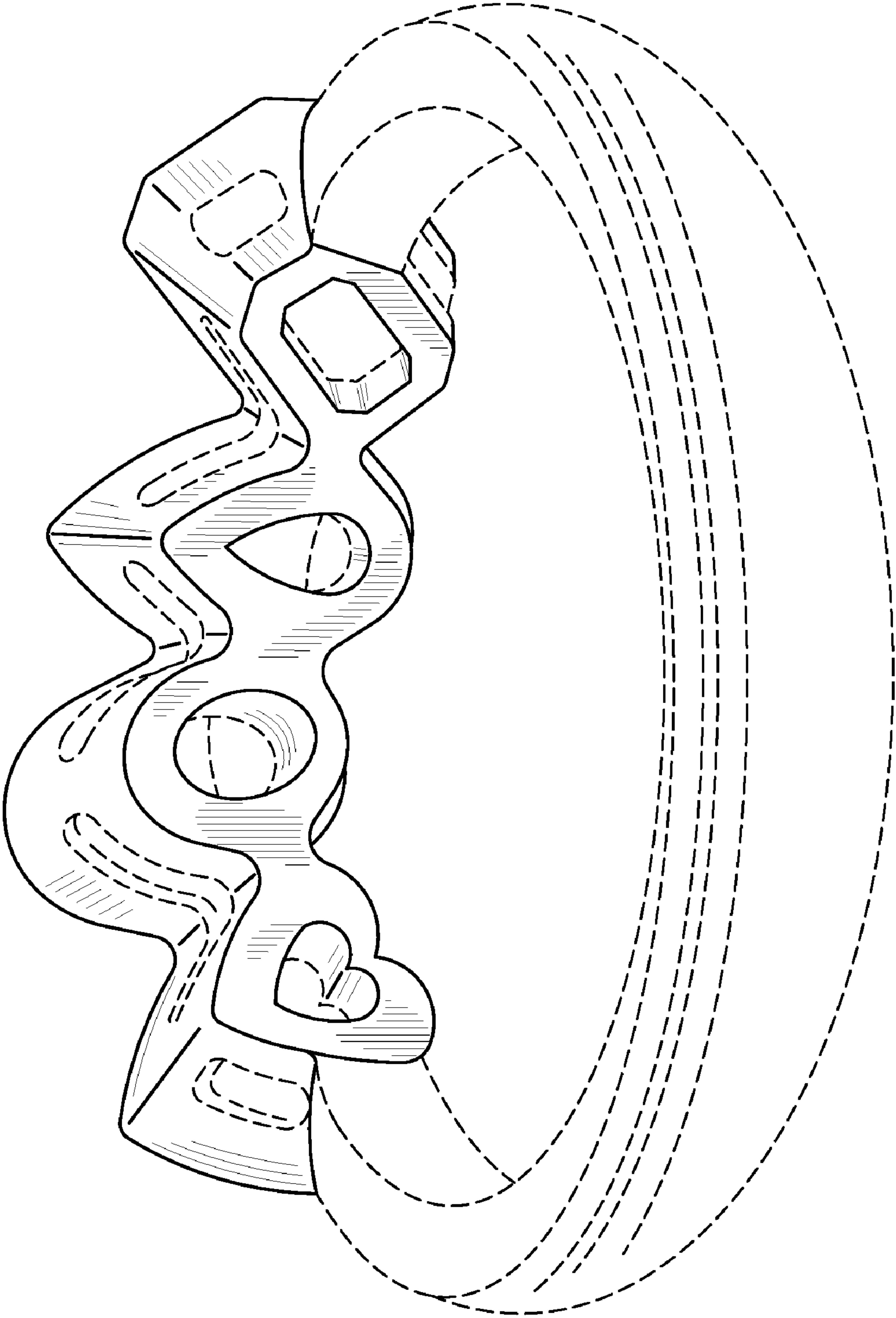


FIG. 6

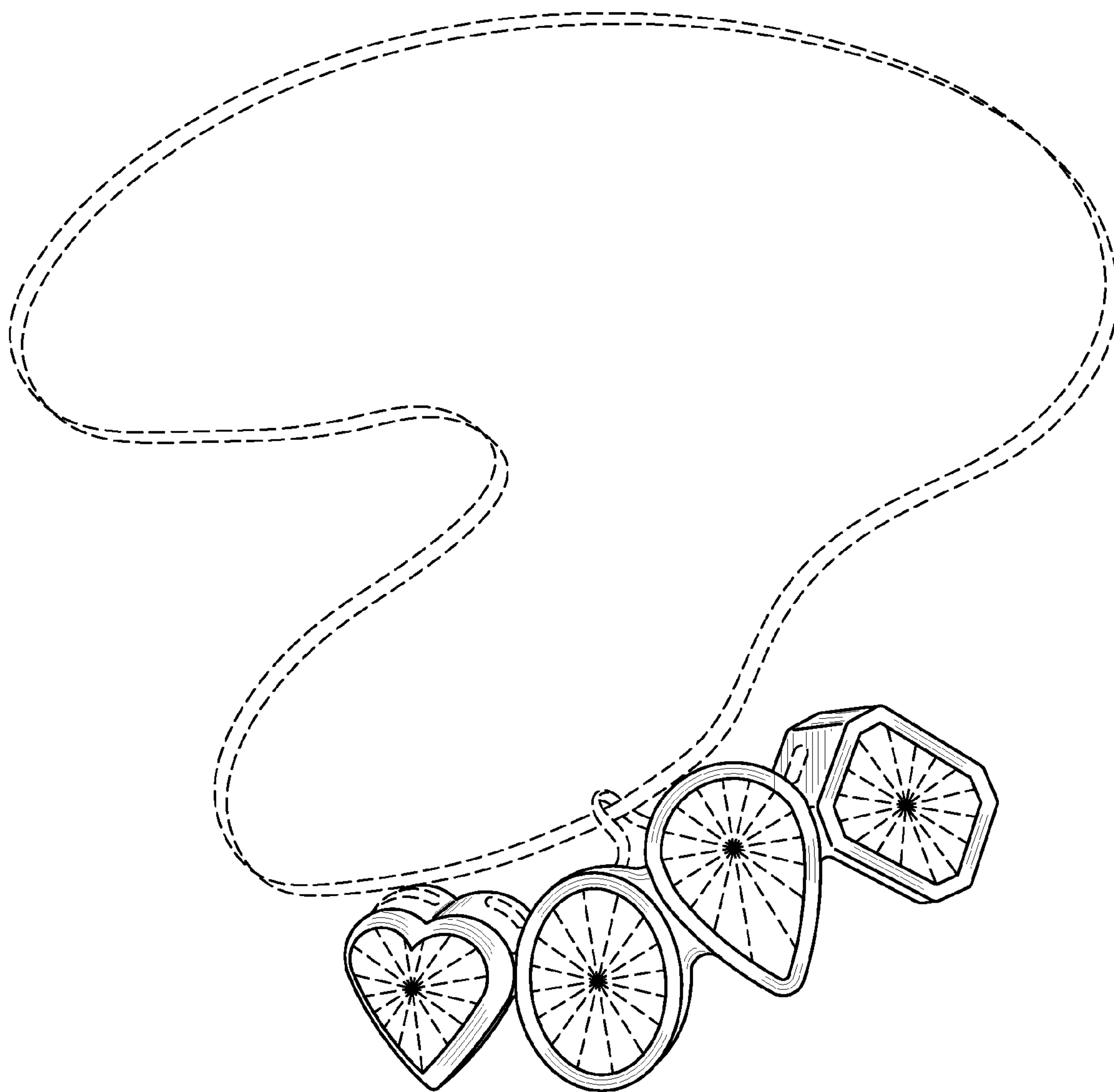


FIG. 7

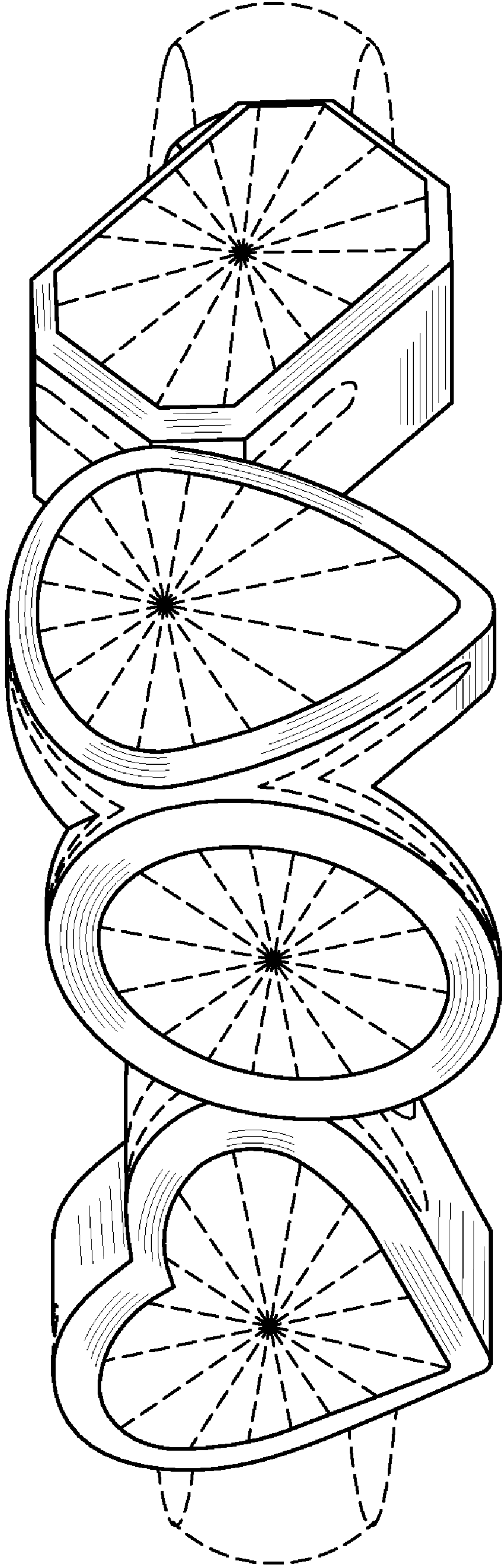


FIG. 8

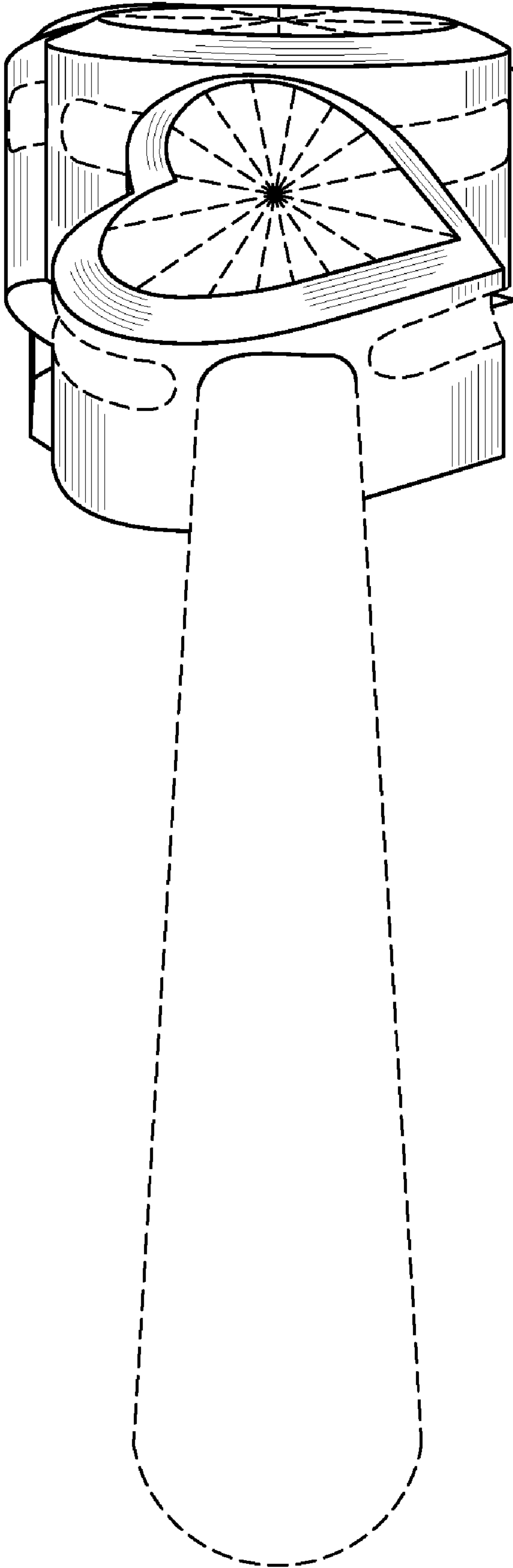


FIG. 9

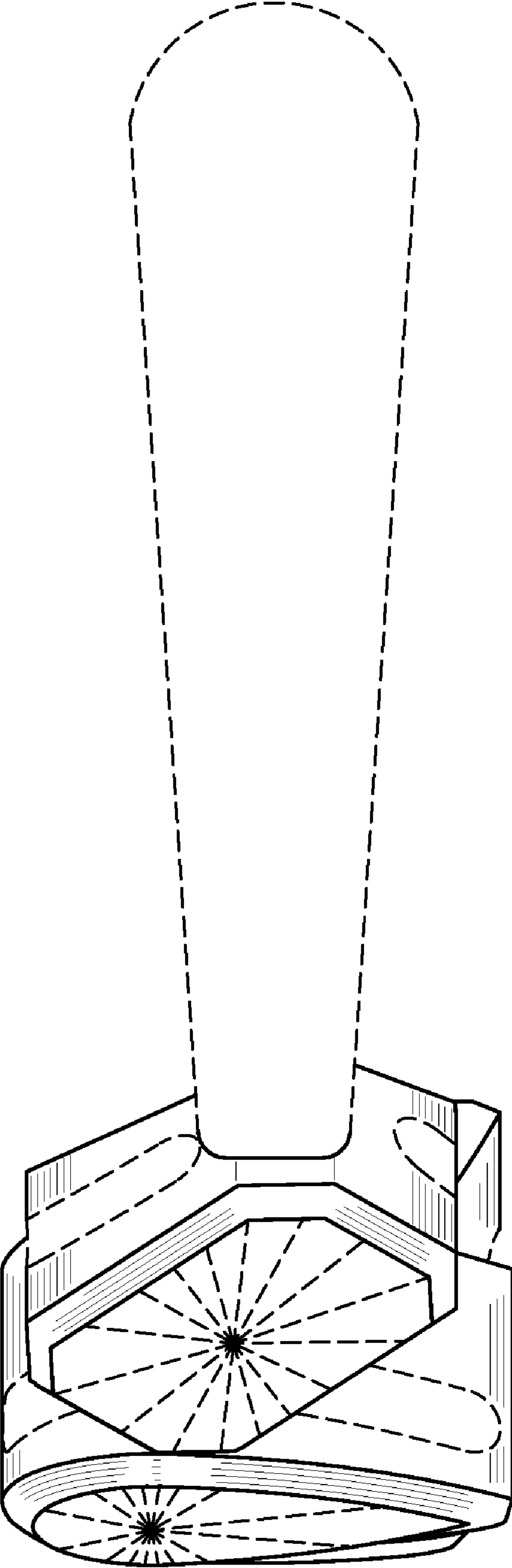


FIG. 10

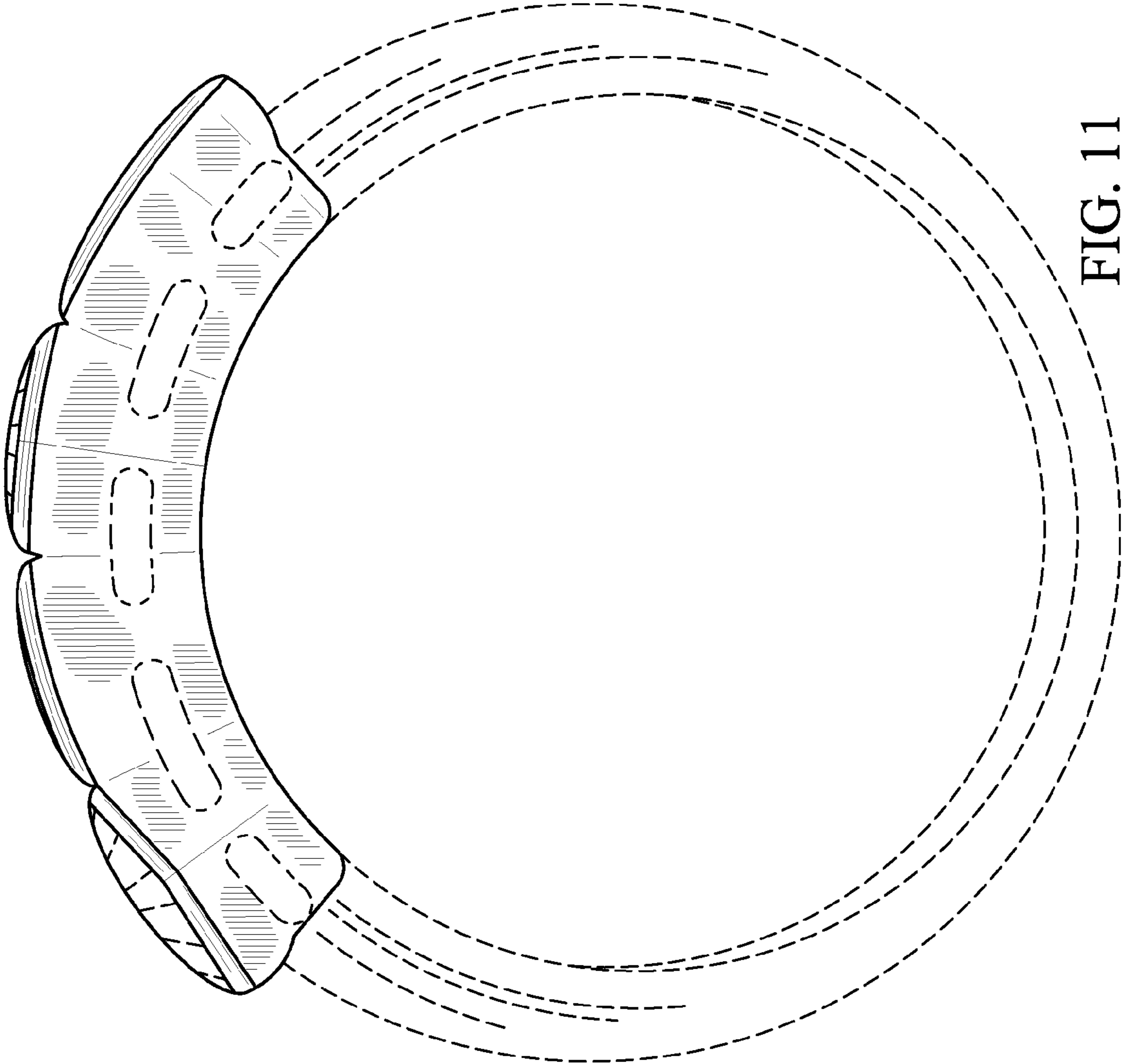


FIG. 11

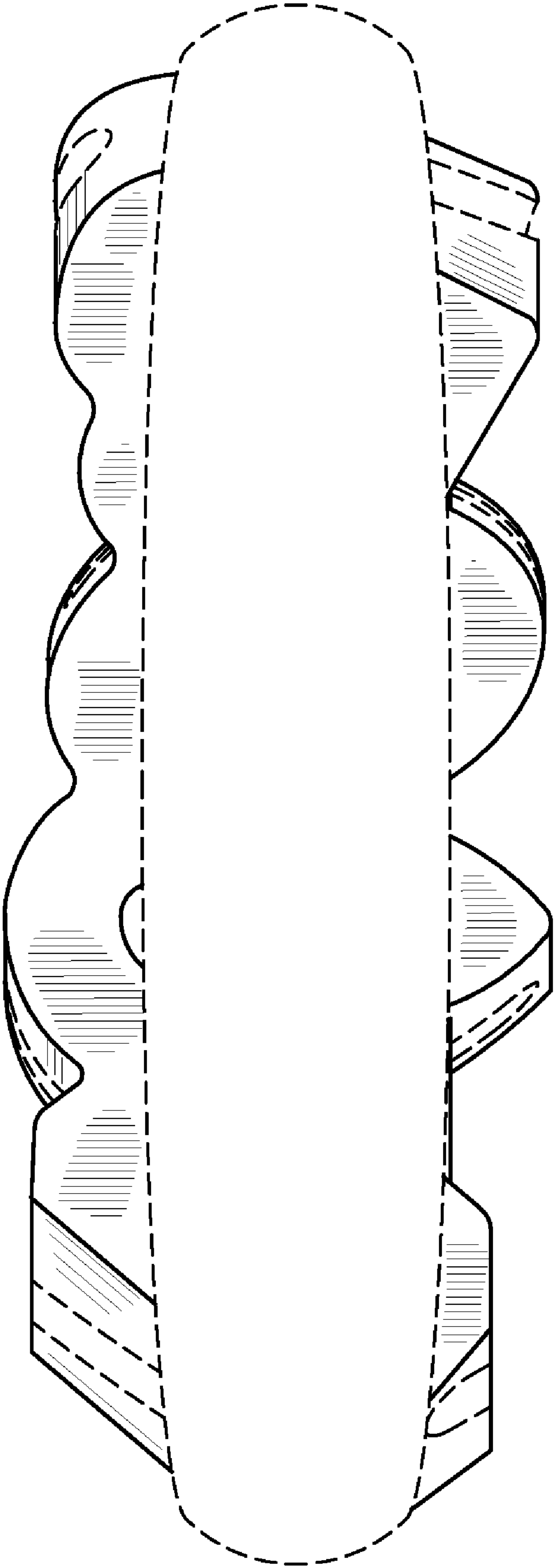


FIG. 12