



US00D607764S

(12) **United States Design Patent**
Lin

(10) **Patent No.:** **US D607,764 S**
(45) **Date of Patent:** **** Jan. 12, 2010**

(54) **RINGER FOR A BICYCLE**

D486,421 S * 2/2004 Weiser et al. D11/162

(76) Inventor: **Shen-Keng Lin**, No. 387-16, Feng-Hua Rd., Hsiu-Shui Hsiang, Changhua Hsien (TW)

* cited by examiner

Primary Examiner—Caron Veynar
Assistant Examiner—George D Kirschbaum
(74) *Attorney, Agent, or Firm*—Shook, Hardy & Bacon L.L.P.

(**) Term: **14 Years**

(21) Appl. No.: **29/337,203**

(57) **CLAIM**

(22) Filed: **May 18, 2009**

The ornamental design for ringer for a bicycle, as shown and described.

- (51) **LOC (9) Cl.** **10-05**
- (52) **U.S. Cl.** **D10/116; D21/650**
- (58) **Field of Classification Search** D10/116;
116/152, 137 R, 166, 159, 16, 158; 370/469;
446/141; D21/650; D11/162

DESCRIPTION

See application file for complete search history.

- FIG. 1 is a perspective view of ringer for a bicycle showing my new design;
- FIG. 2 is a front elevational view thereof;
- FIG. 3 is a rear elevational view thereof;
- FIG. 4 is a left side elevational view thereof;
- FIG. 5 is a right side elevational view thereof;
- FIG. 6 is a top plan view thereof; and,
- FIG. 7 is a bottom plan view thereof.

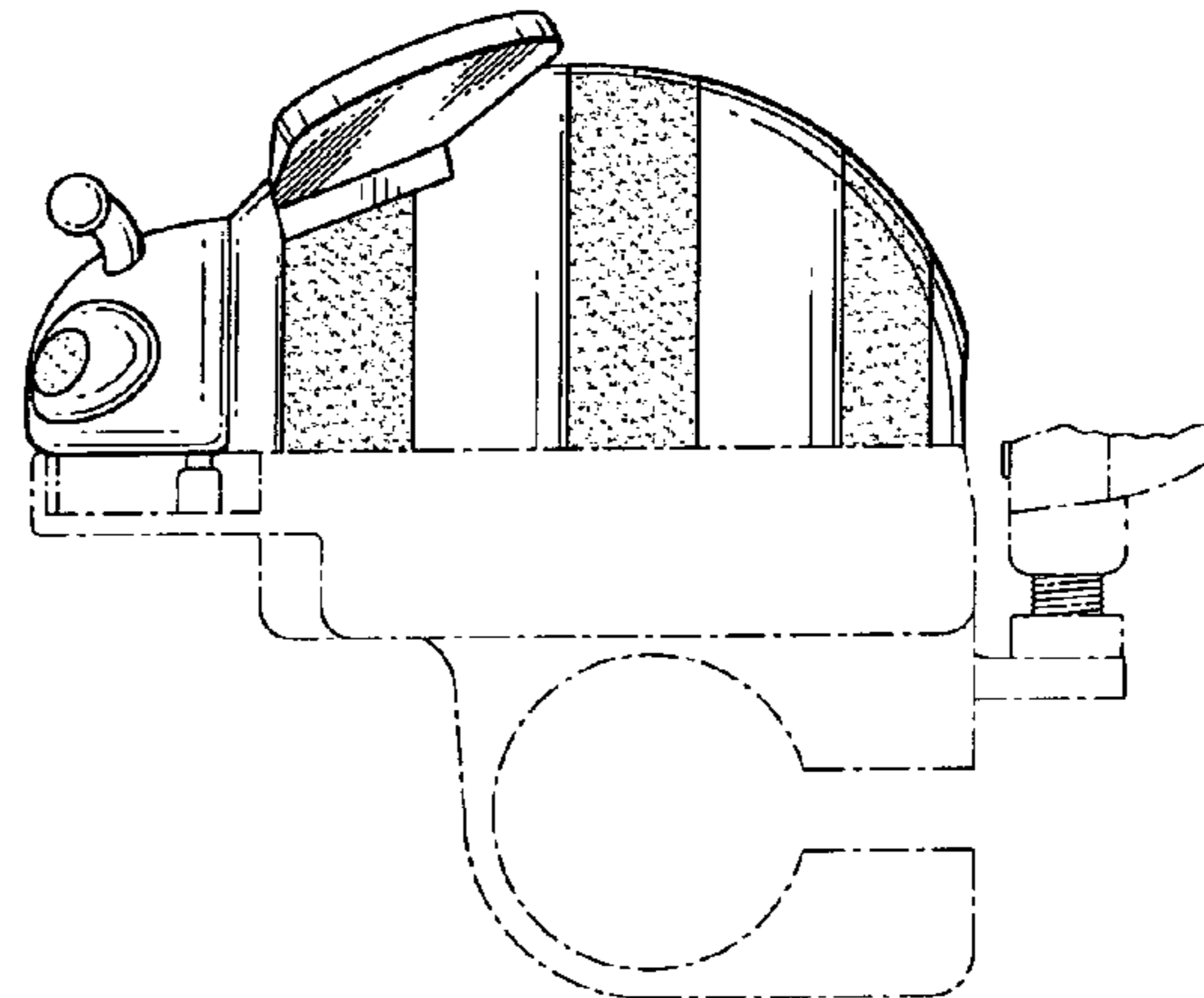
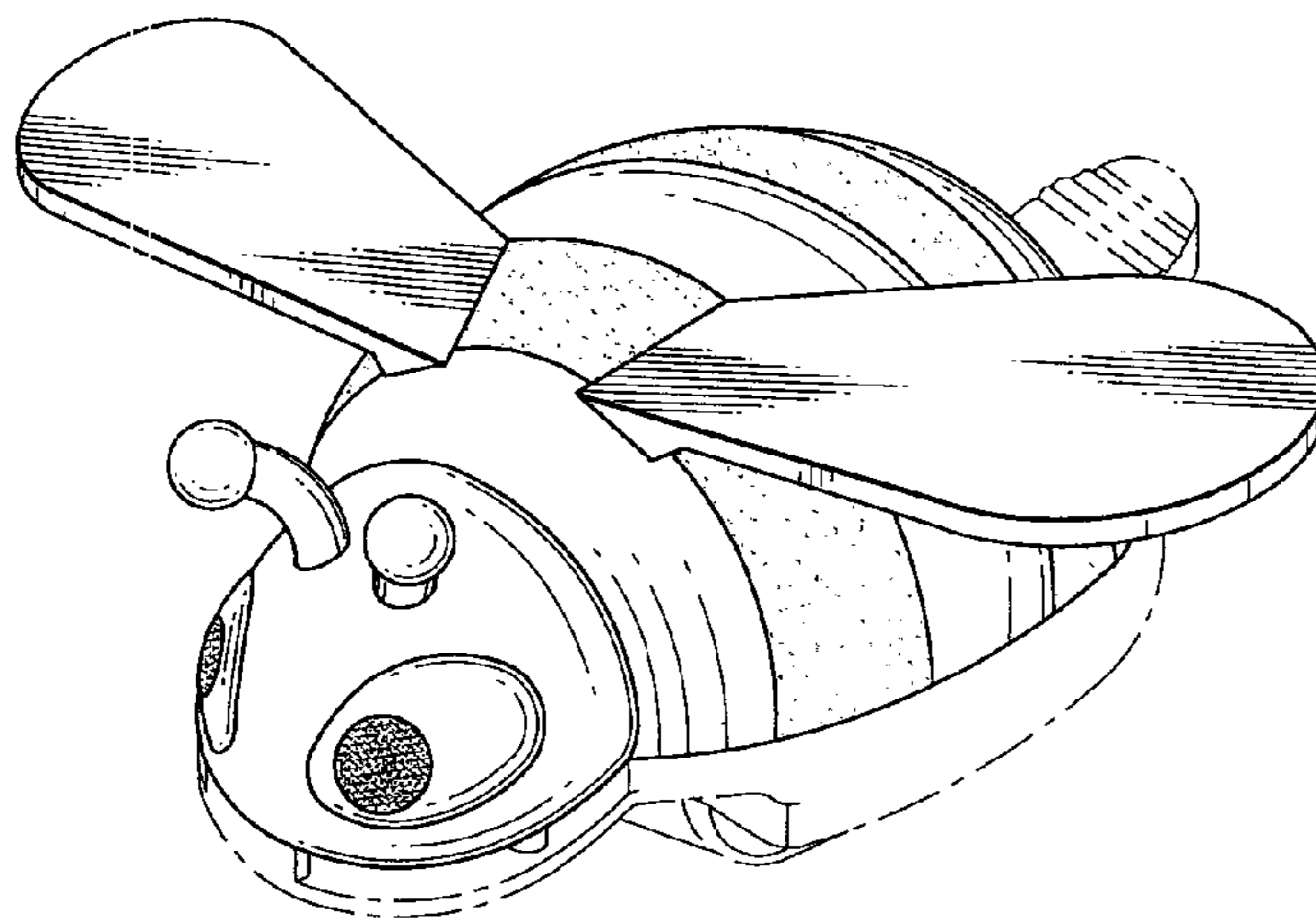
The portions shown in dashed lines in FIGS. 1–7 do not form part of the design.

(56) **References Cited**

U.S. PATENT DOCUMENTS

- 1,798,444 A * 3/1931 Wood 116/158
- D416,047 S * 11/1999 Kwok D19/82
- D444,729 S * 7/2001 Lin D10/116
- D483,820 S * 12/2003 Weiser et al. D21/650

1 Claim, 4 Drawing Sheets



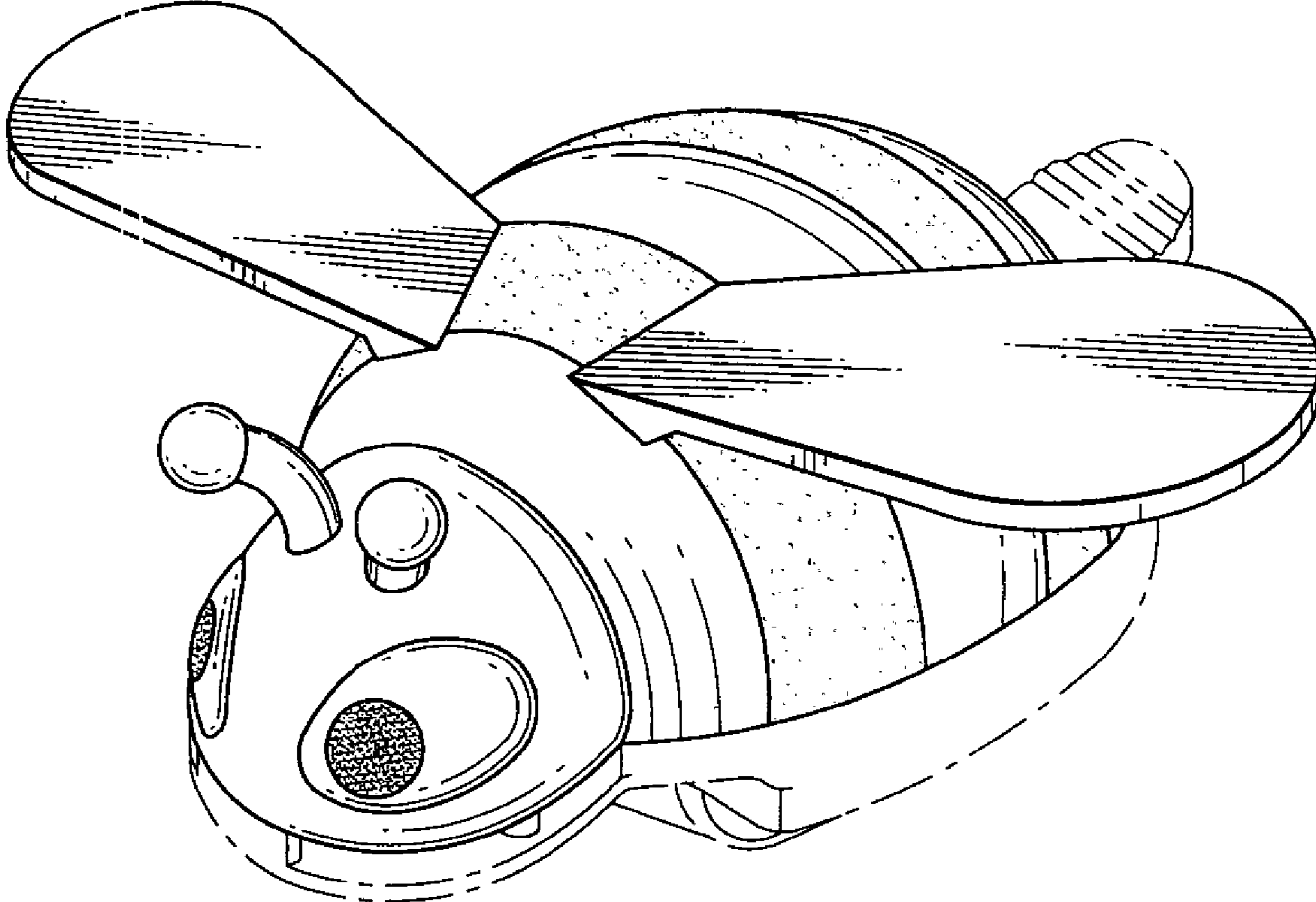


FIG. 1

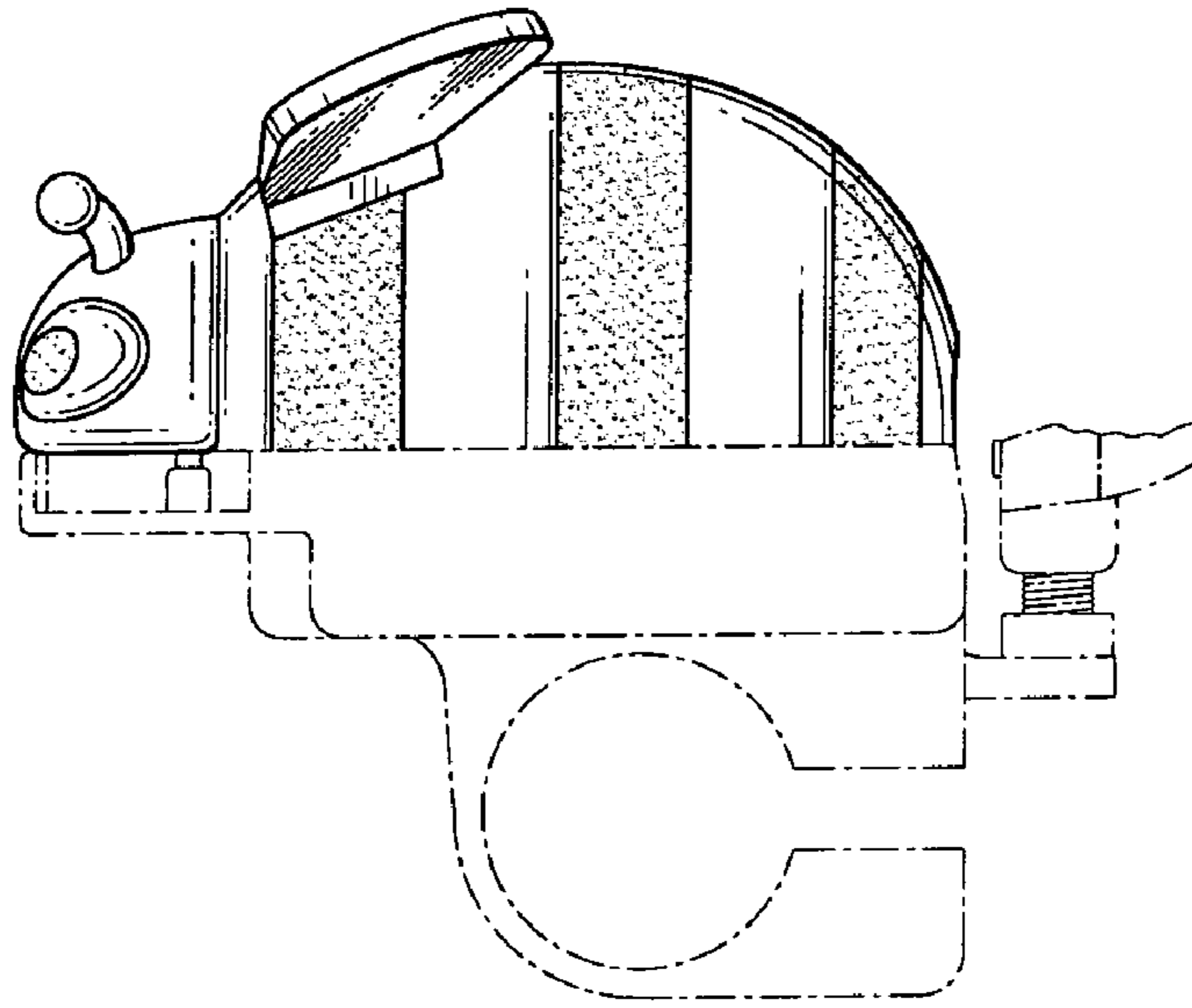


FIG. 2

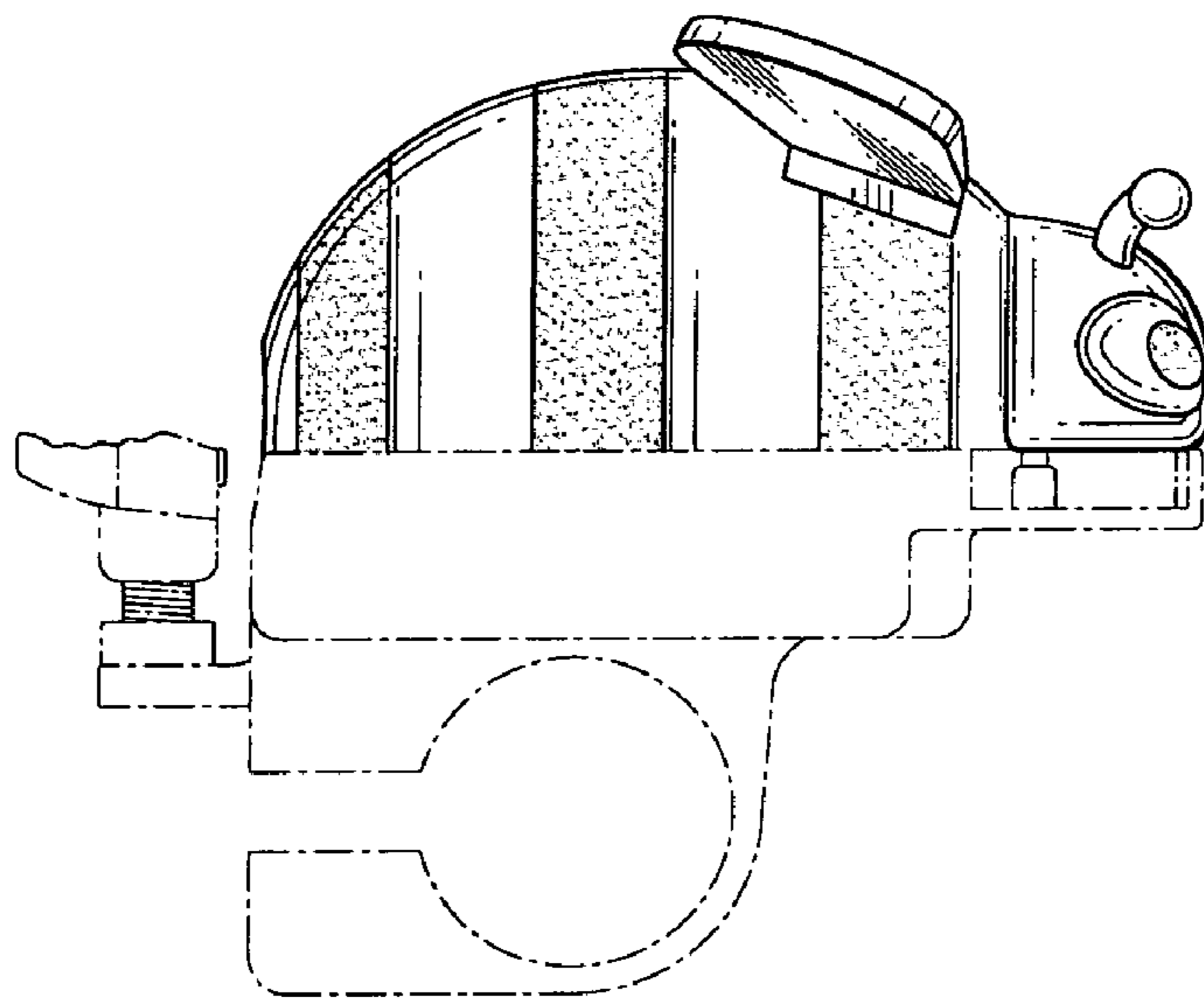


FIG. 3

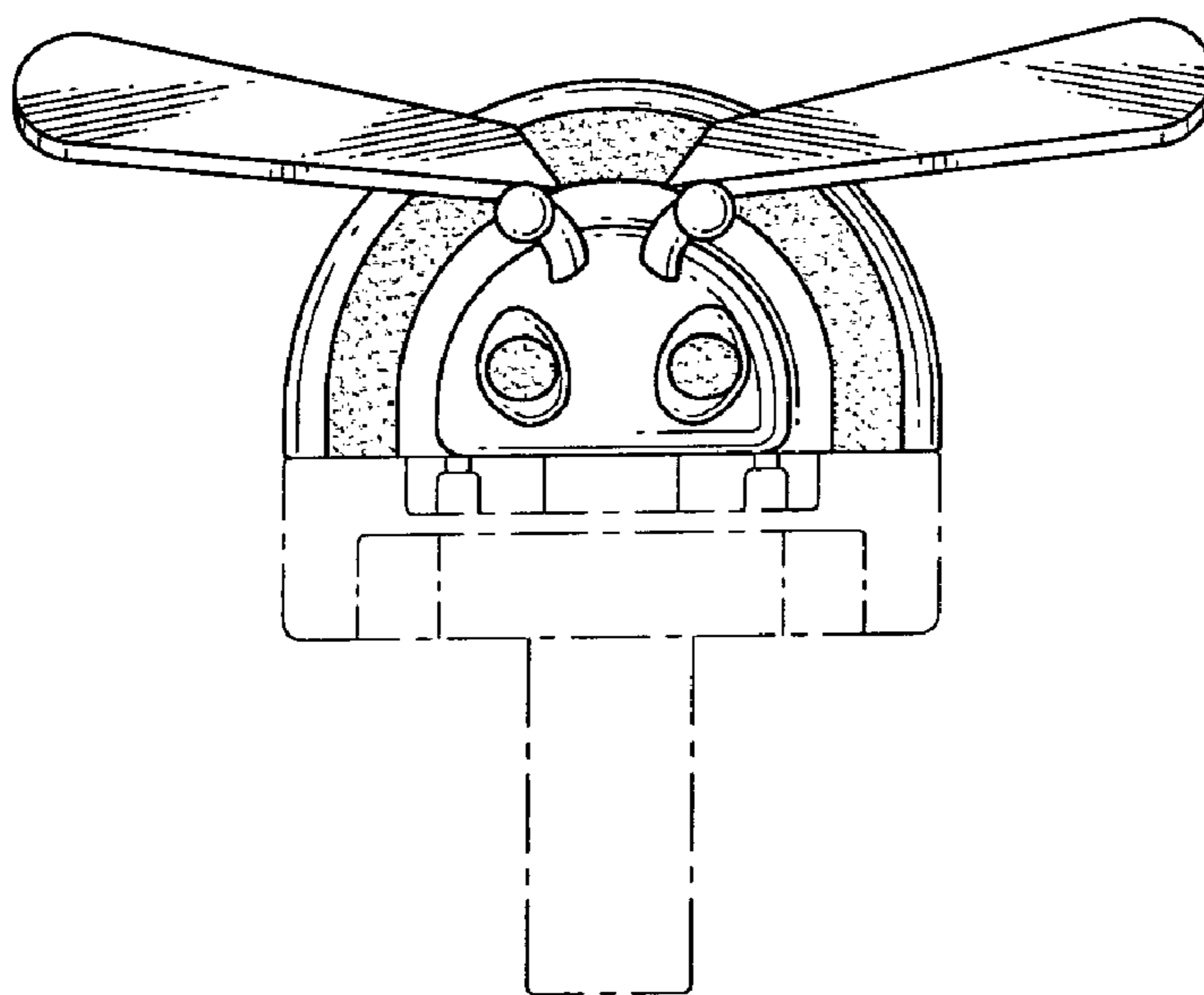


FIG. 4

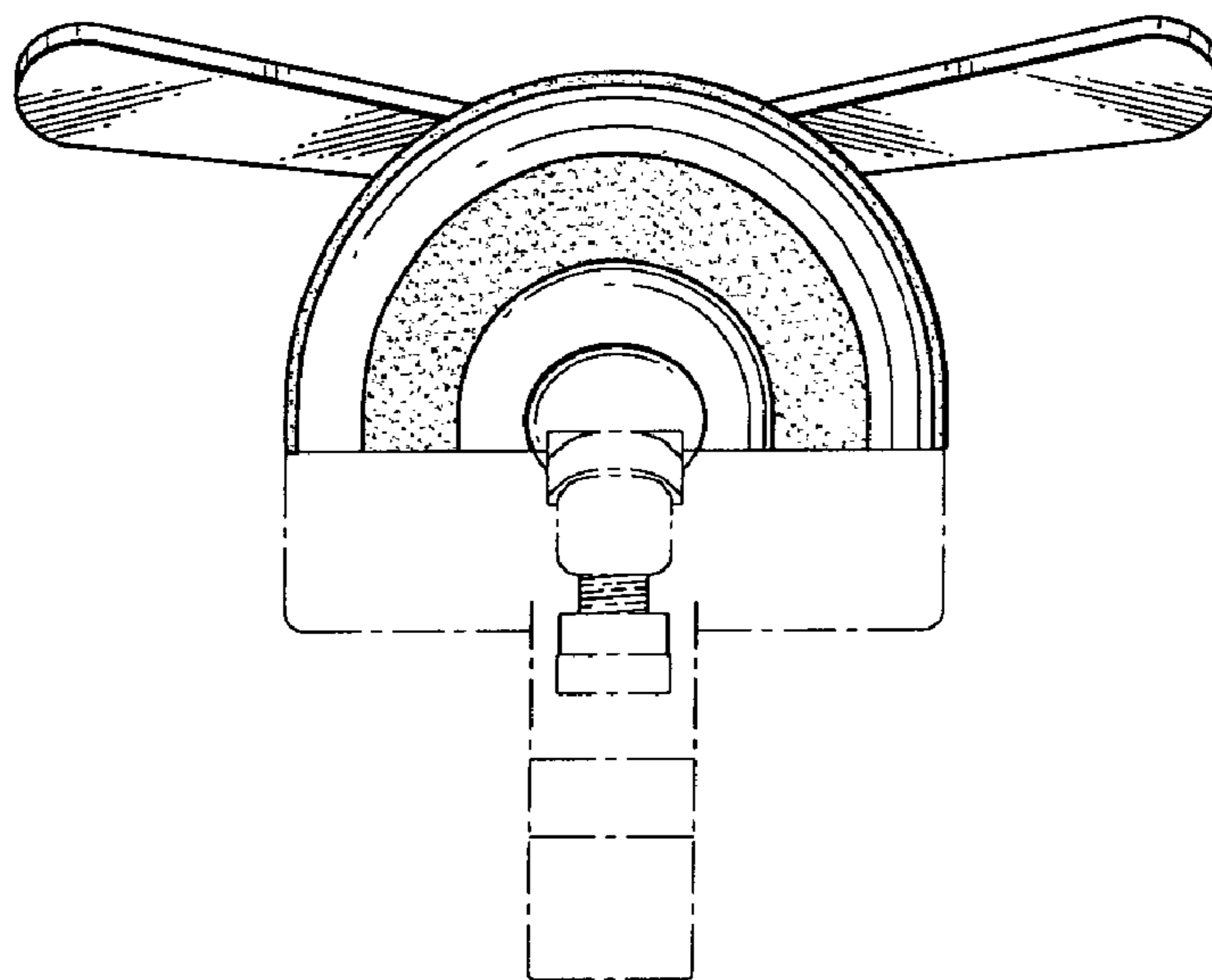


FIG. 5

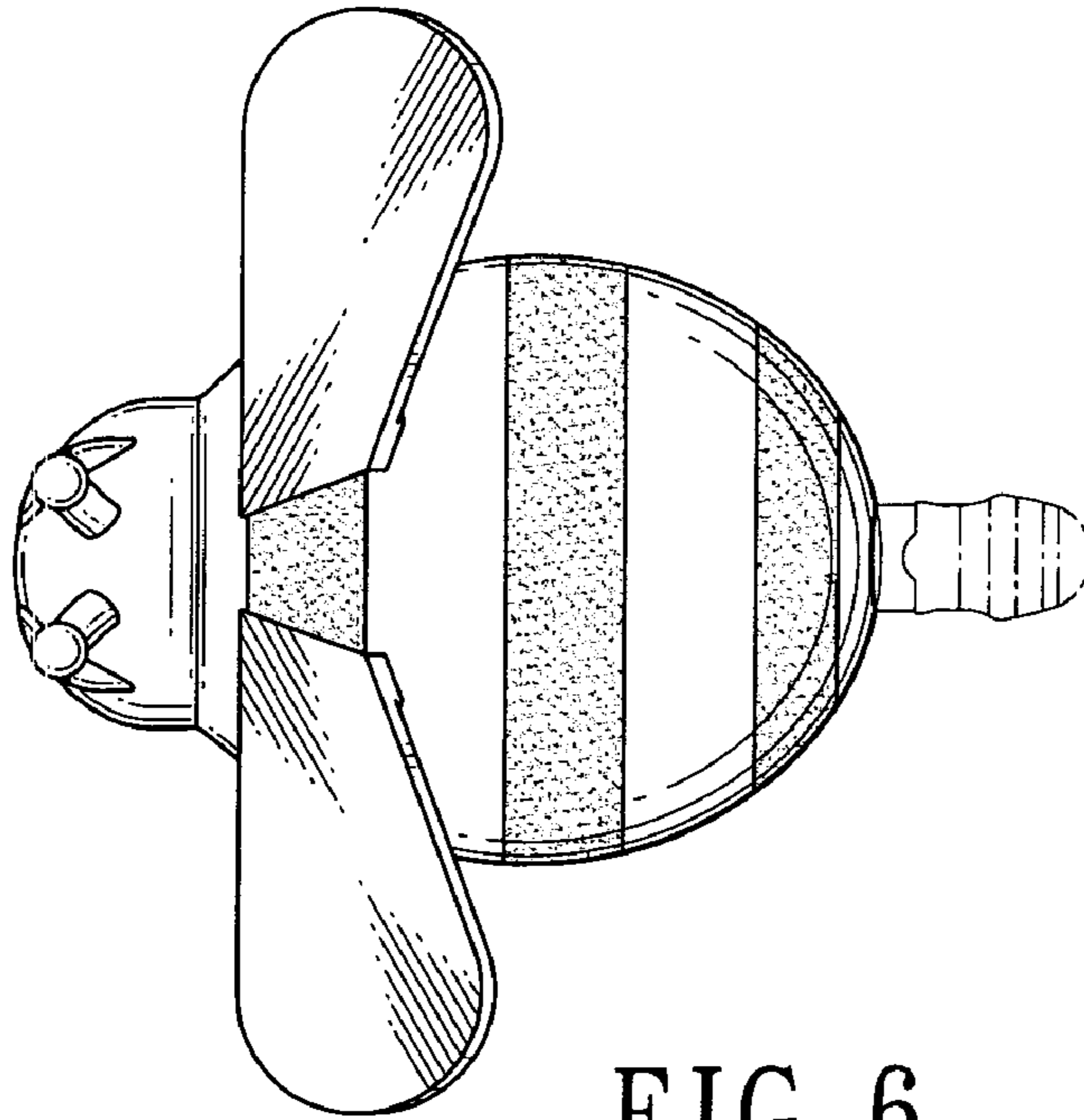


FIG. 6

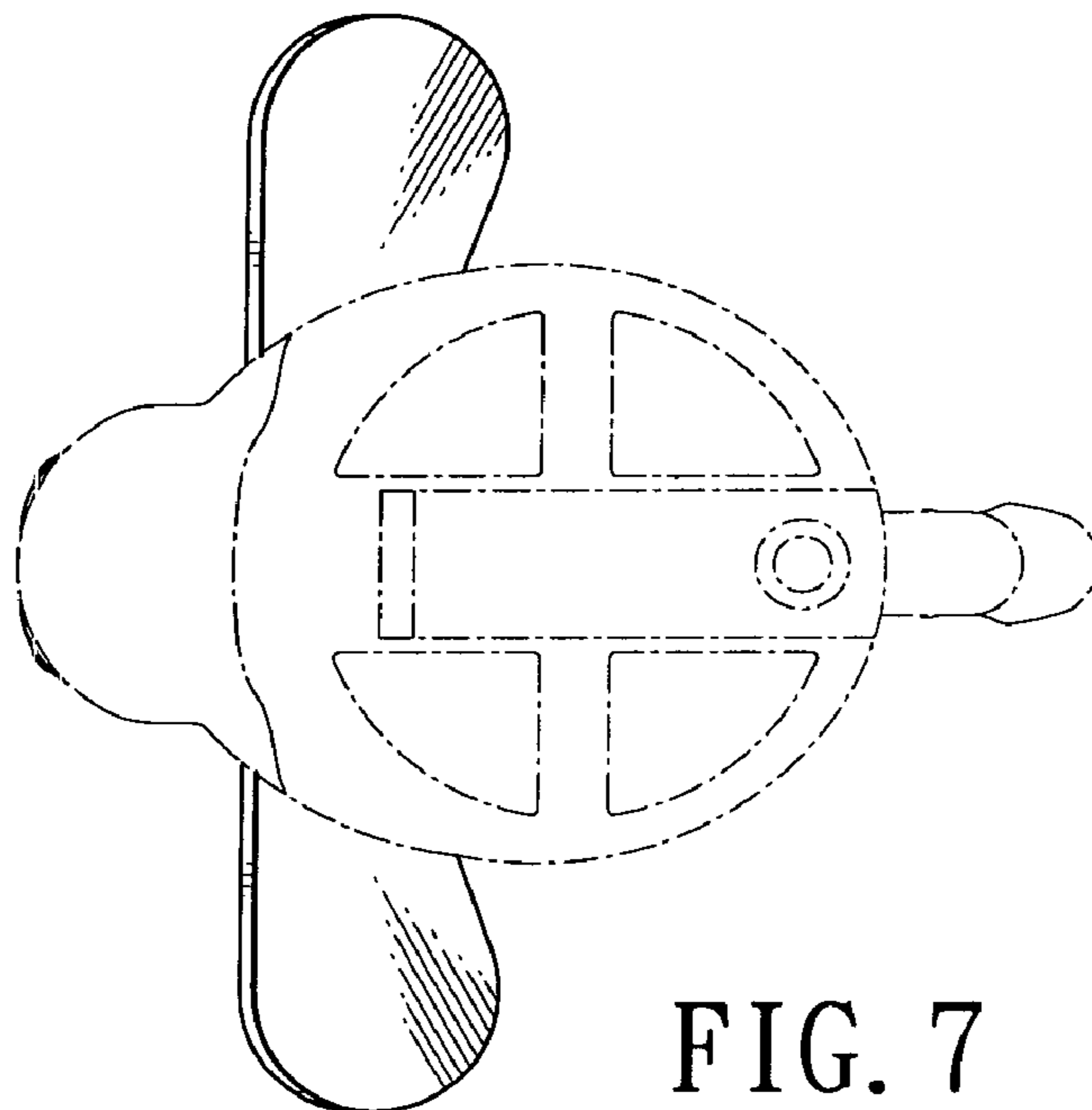


FIG. 7