



US00D607759S

(12) **United States Design Patent**  
**Woytowitz et al.**

(10) **Patent No.:** **US D607,759 S**  
(45) **Date of Patent:** **\*\* Jan. 12, 2010**

(54) **WEATHER SENSOR FOR CONNECTION TO AN IRRIGATION CONTROLLER**

*Primary Examiner*—Antoine D Davis  
(74) *Attorney, Agent, or Firm*—Michael H. Jester

(75) Inventors: **Peter J. Woytowitz**, San Diego, CA (US); **Darrin Schmuckle**, Vista, CA (US)

(57) **CLAIM**

The ornamental design for a weather sensor for connection to an irrigation controller, as shown and described.

(73) Assignee: **Hunter Industries, Inc.**, San Marcos, CA (US)

**DESCRIPTION**

(\*\*) Term: **14 Years**

FIG. 1 is an isometric view taken from the front of the weather sensor for connection to an irrigation controller;

(21) Appl. No.: **29/336,974**

FIG. 2 is a front elevation view of the weather sensor for connection to an irrigation controller;

(22) Filed: **May 13, 2009**

FIG. 3 is a rear elevation view of the weather sensor for connection to an irrigation controller;

(51) **LOC (9) Cl.** ..... **10-04**

(52) **U.S. Cl.** ..... **D10/52; D10/53; D10/56**

(58) **Field of Classification Search** ..... D10/52, D10/53, 56; 73/73, 170.17; 137/78.1–78.3, 137/78.5; 200/61.04, 61.06, 61.07; 239/63, 239/64, 67; 340/603, 604

FIG. 4 is an end elevation view of the weather sensor for connection to an irrigation controller taken from the right side of FIG. 1;

See application file for complete search history.

FIG. 5 is an end elevation view of the weather sensor for connection to an irrigation controller taken from the left side of FIG. 1;

(56) **References Cited**

**U.S. PATENT DOCUMENTS**

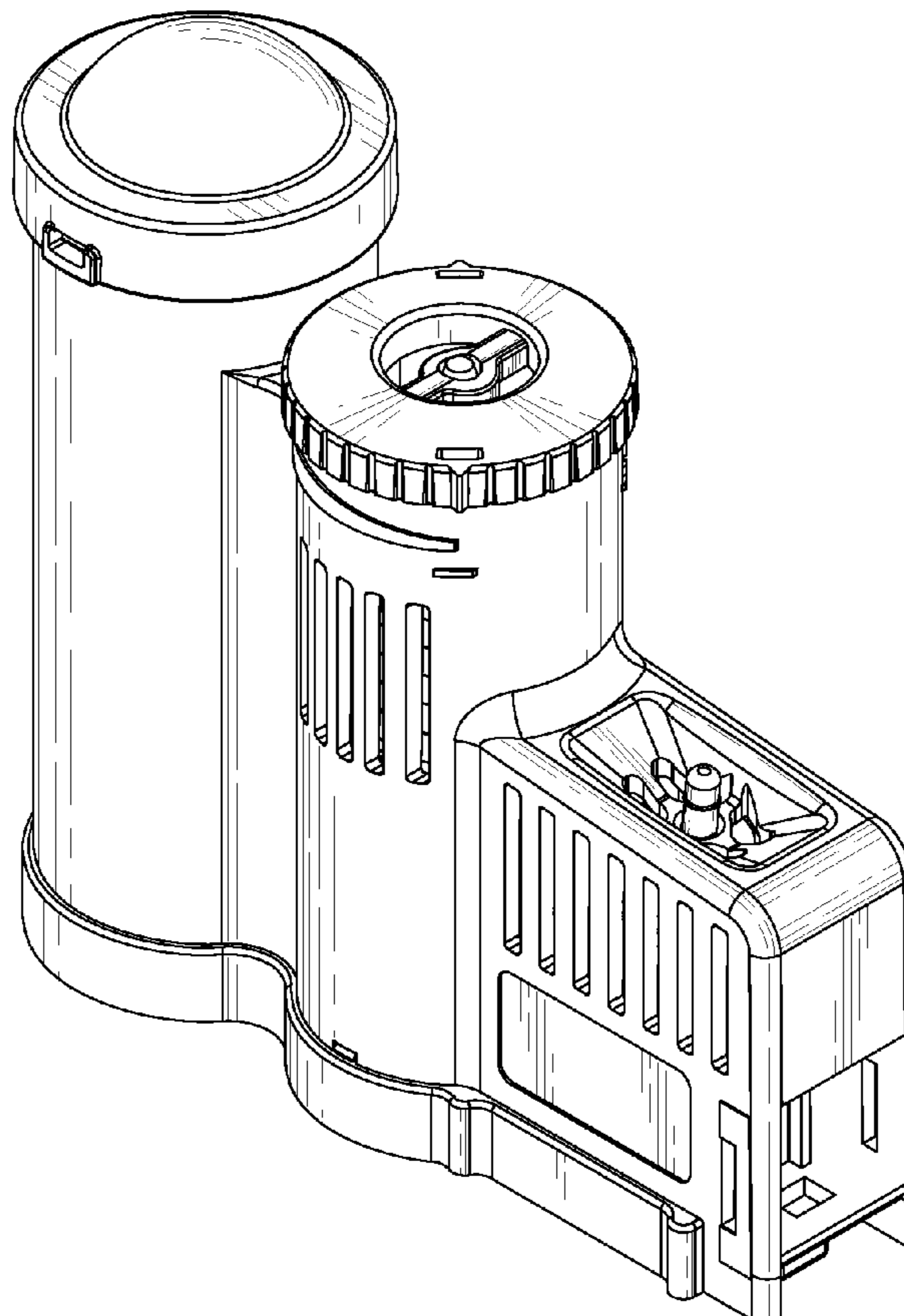
D443,534 S \* 6/2001 Dubay et al. .... D10/56  
6,570,109 B2 5/2003 Klinefelter et al. .... 200/61.04

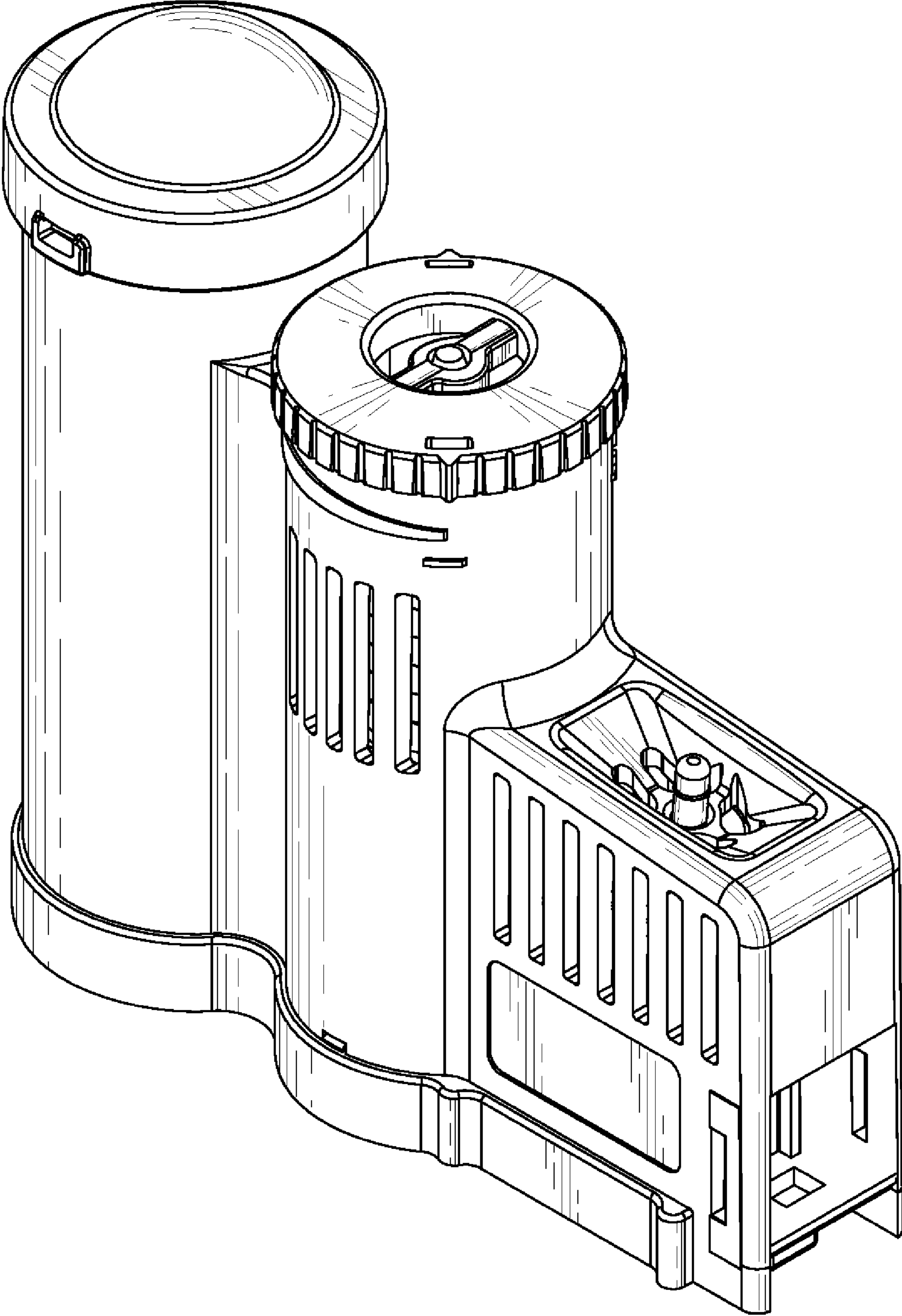
FIG. 6 is a top elevation view of the weather sensor for connection to an irrigation controller; and,

FIG. 7 is a bottom elevation view of the weather sensor for connection to an irrigation controller.

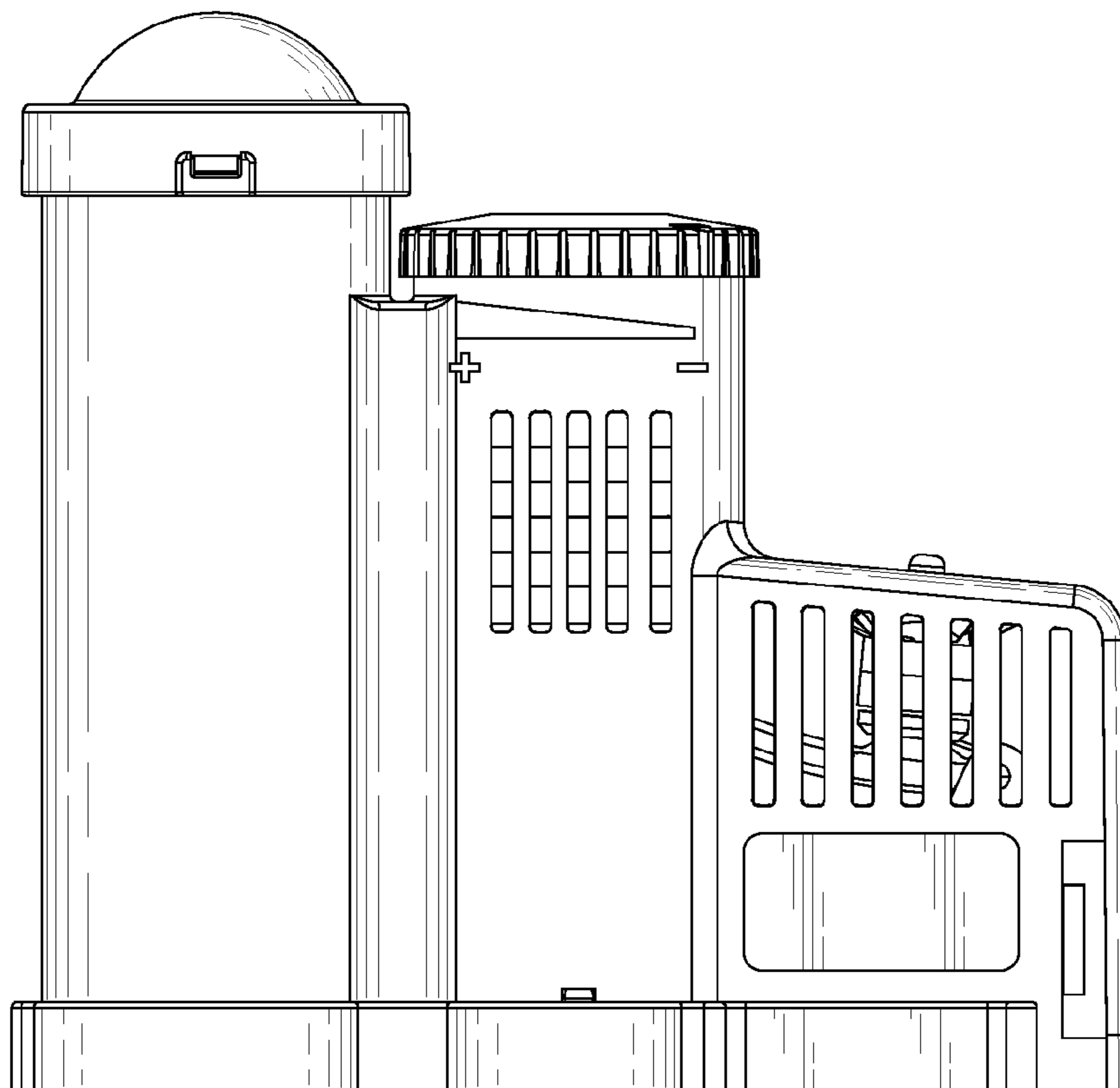
\* cited by examiner

**1 Claim, 4 Drawing Sheets**

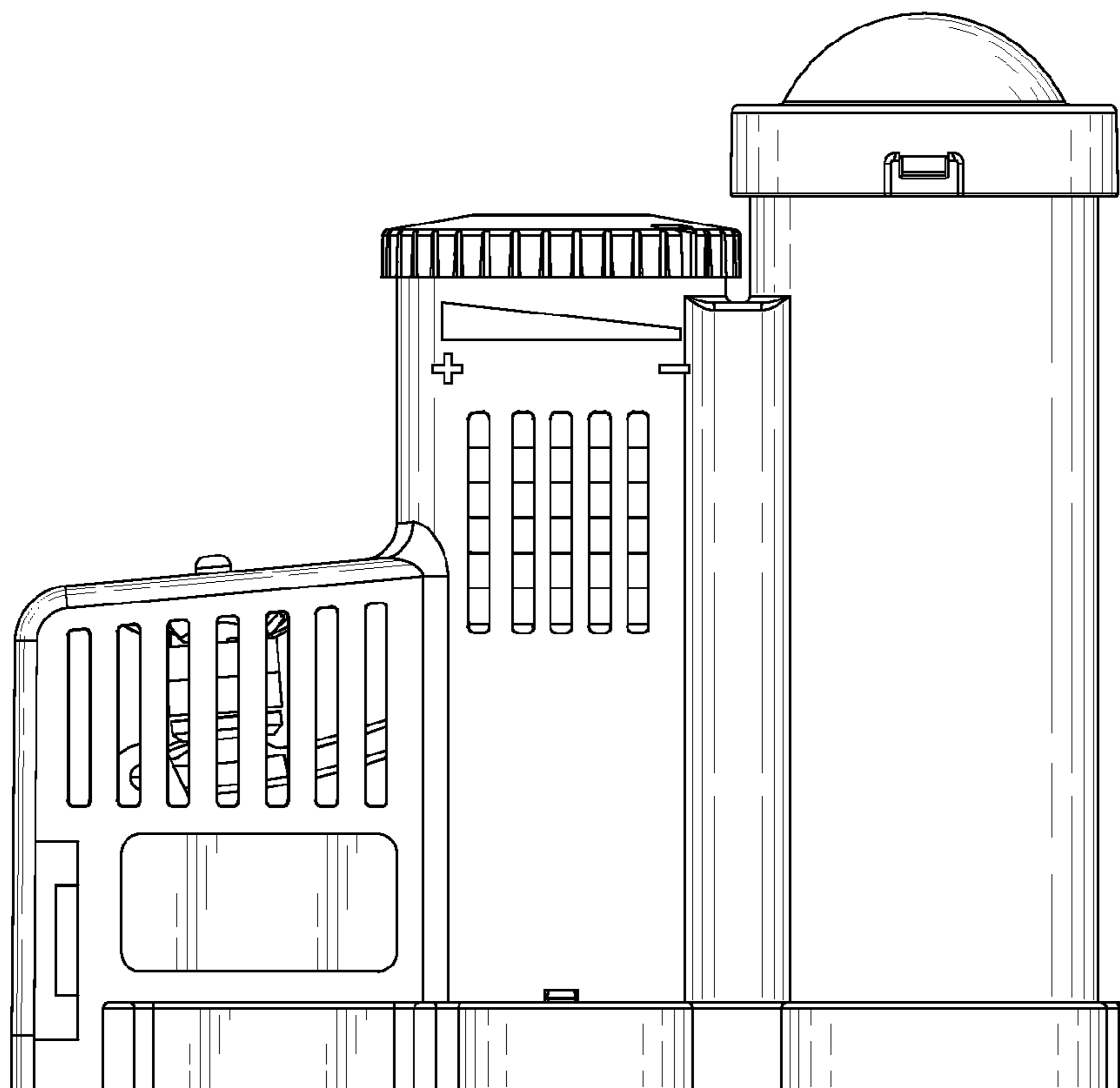




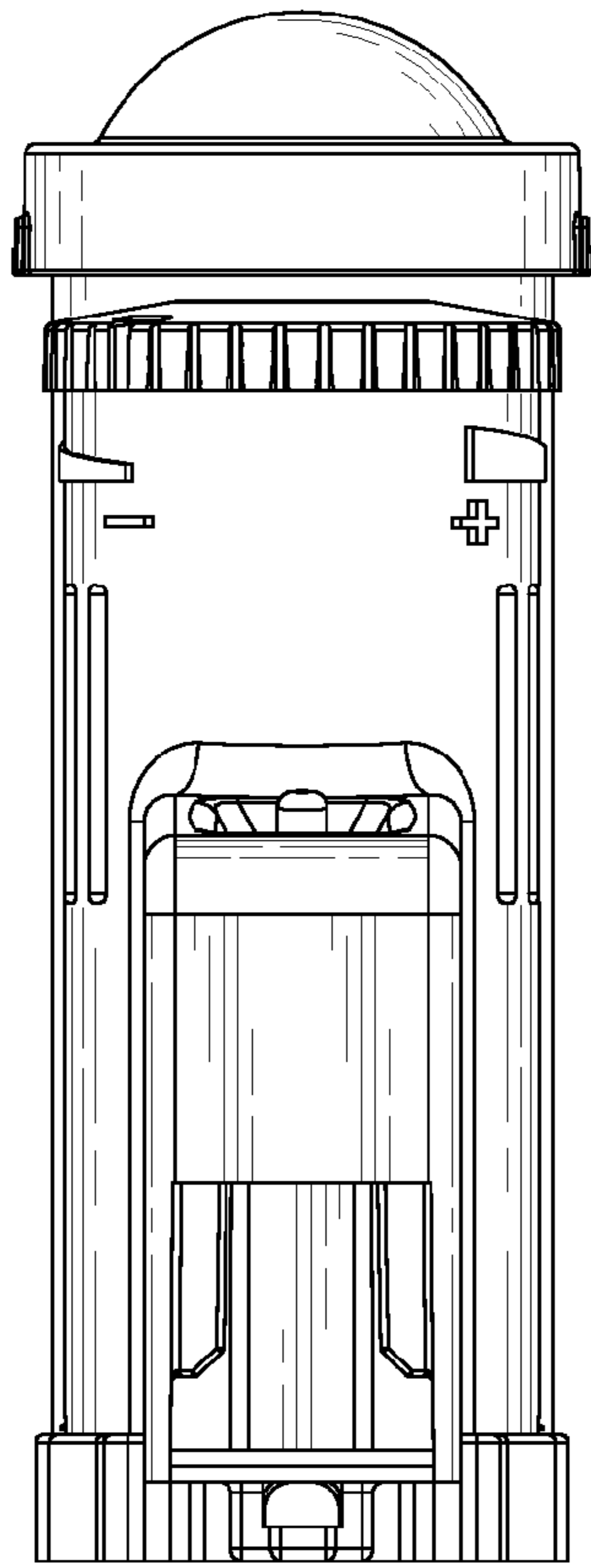
**FIG. 1**



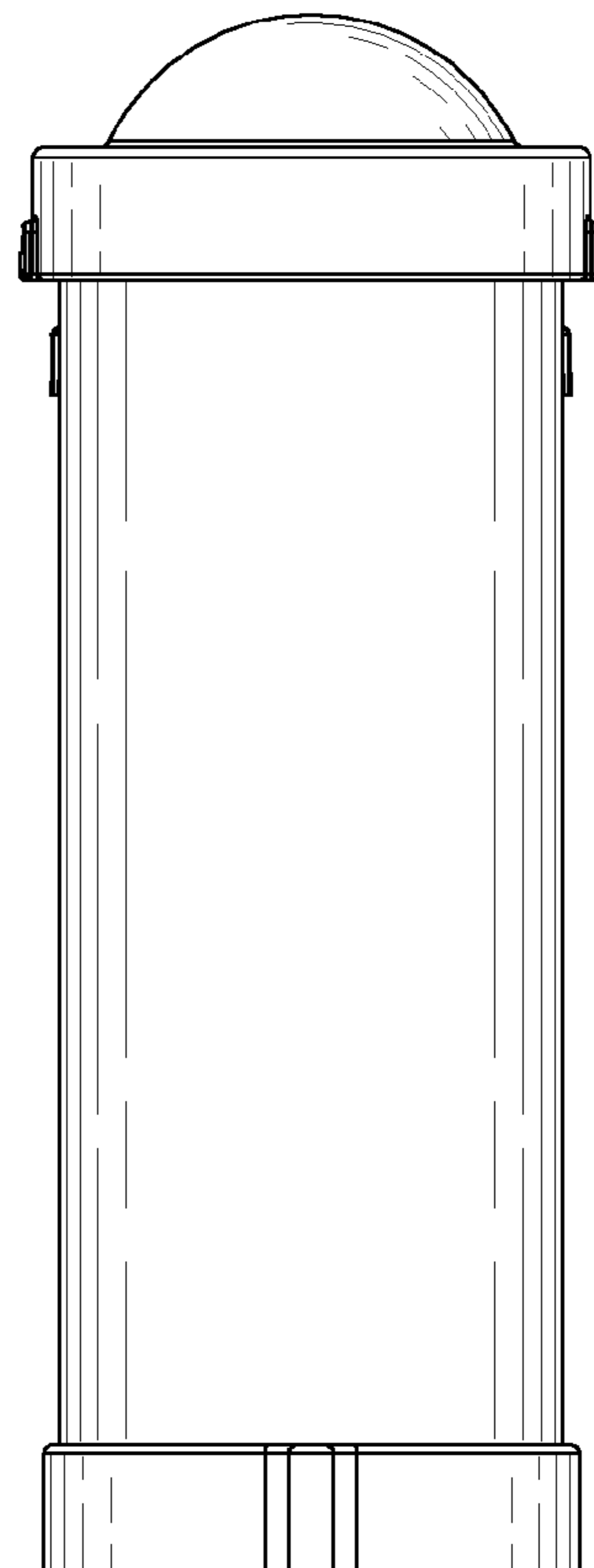
**FIG. 2**



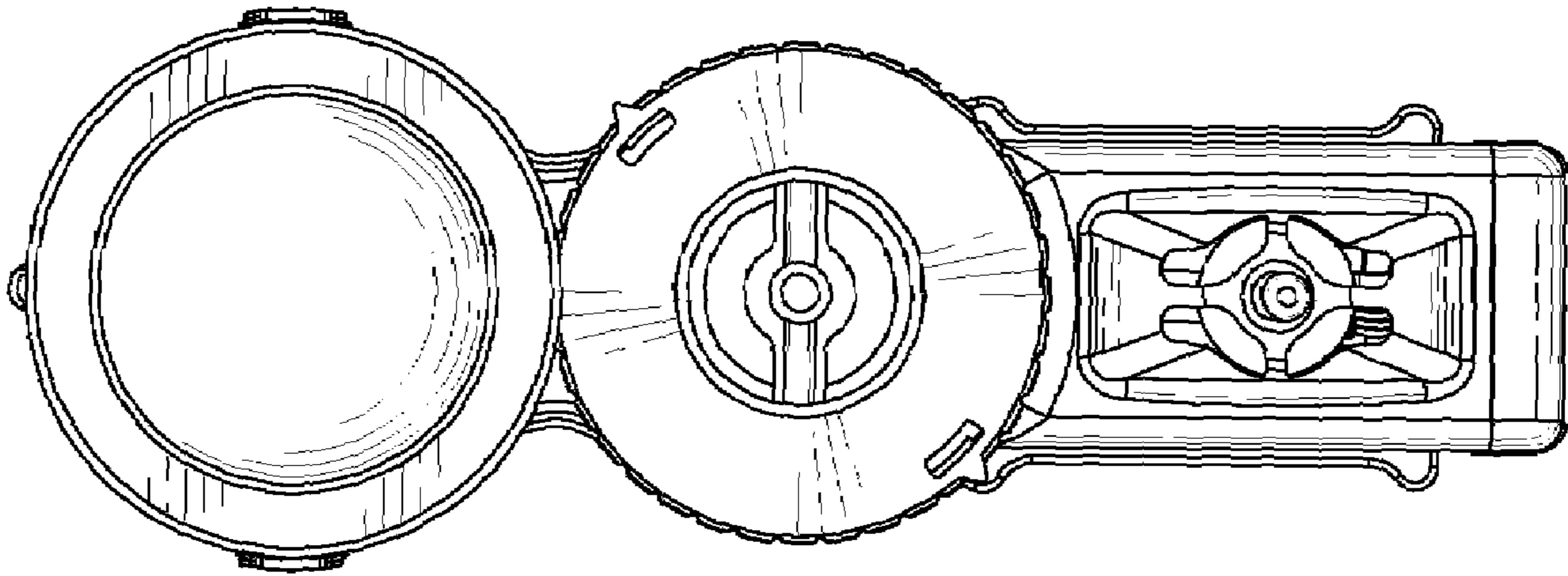
**FIG. 3**



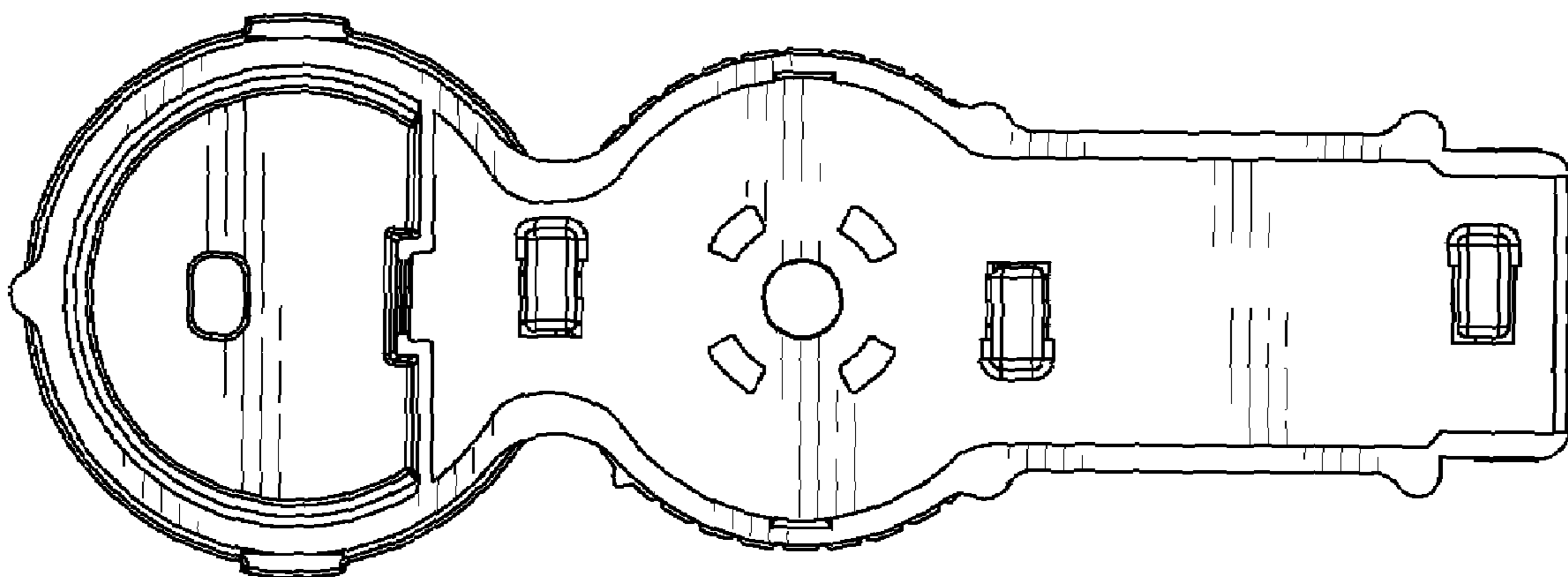
**FIG. 4**



**FIG. 5**



**FIG. 6**



**FIG. 7**