



US00D607757S

(12) **United States Design Patent**  
**Cattin**

(10) **Patent No.:** **US D607,757 S**  
(45) **Date of Patent:** **\*\* \*Jan. 12, 2010**

(54) **WATCH**

(75) Inventor: **Rodolphe Cattin**, Neuchâtel (CH)

(73) Assignee: **Dent Holding AG**, Baar (CH)

(\*\*) Term: **14 Years**

(21) Appl. No.: **29/296,119**

(22) Filed: **Oct. 15, 2007**

(30) **Foreign Application Priority Data**

Apr. 17, 2007 (CH) ..... 133909

(51) **LOC (9) Cl.** ..... **10-02**

(52) **U.S. Cl.** ..... **D10/39**

(58) **Field of Classification Search** ..... D10/30-39,  
D10/122-126; 368/276, 281, 282, 285, 80,  
368/223, 228, 232

See application file for complete search history.

(56) **References Cited**

**U.S. PATENT DOCUMENTS**

- D78,044 S \* 3/1929 Streng ..... D10/126
- 1,950,189 A \* 3/1934 Pejchar ..... 368/21
- D202,061 S \* 8/1965 Montese-Caruso ..... D10/38
- 3,269,108 A \* 8/1966 Mottironi ..... 368/281
- 4,218,873 A \* 8/1980 Lang ..... 368/281
- 4,390,288 A \* 6/1983 Arnoux ..... 368/276
- 4,620,798 A \* 11/1986 Scarinzi ..... 368/276
- D297,125 S \* 8/1988 Grinberg ..... D10/39
- D351,799 S \* 10/1994 Bulgari ..... D10/39
- D371,079 S \* 6/1996 Mijatovic ..... D10/39
- D421,919 S \* 3/2000 Bodino ..... D10/32
- 6,158,884 A \* 12/2000 Lebby et al. .... 368/282

- D455,661 S \* 4/2002 Nussbaum ..... D10/32
- D458,853 S \* 6/2002 Finazzi ..... D10/39
- D464,273 S \* 10/2002 Nussbaum ..... D10/30
- D473,802 S \* 4/2003 Berliat ..... D10/39
- D475,934 S \* 6/2003 Bulgari ..... D10/30
- 6,587,400 B1 \* 7/2003 Line ..... 368/88
- 6,655,831 B1 \* 12/2003 Ruffieux ..... 368/281
- D493,111 S \* 7/2004 Afshar ..... D10/32
- 6,779,917 B1 \* 8/2004 Chappuis ..... 368/282
- D507,975 S \* 8/2005 Dreyfuss ..... D10/32
- D539,671 S \* 4/2007 Lassigne ..... D10/32
- D547,209 S \* 7/2007 Gruosi-Scheufele ..... D10/39
- D558,611 S \* 1/2008 Wei ..... D10/38

\* cited by examiner

*Primary Examiner*—Lucy Lieberman

(74) *Attorney, Agent, or Firm*—McGlew and Tuttle, P.C.

(57) **CLAIM**

The ornamental design for a watch, as shown and described.

**DESCRIPTION**

FIG. 1 is a top view of my new watch;

FIG. 2 is bottom view thereof;

FIG. 3 is right side view thereof;

FIG. 4 is a left side view thereof;

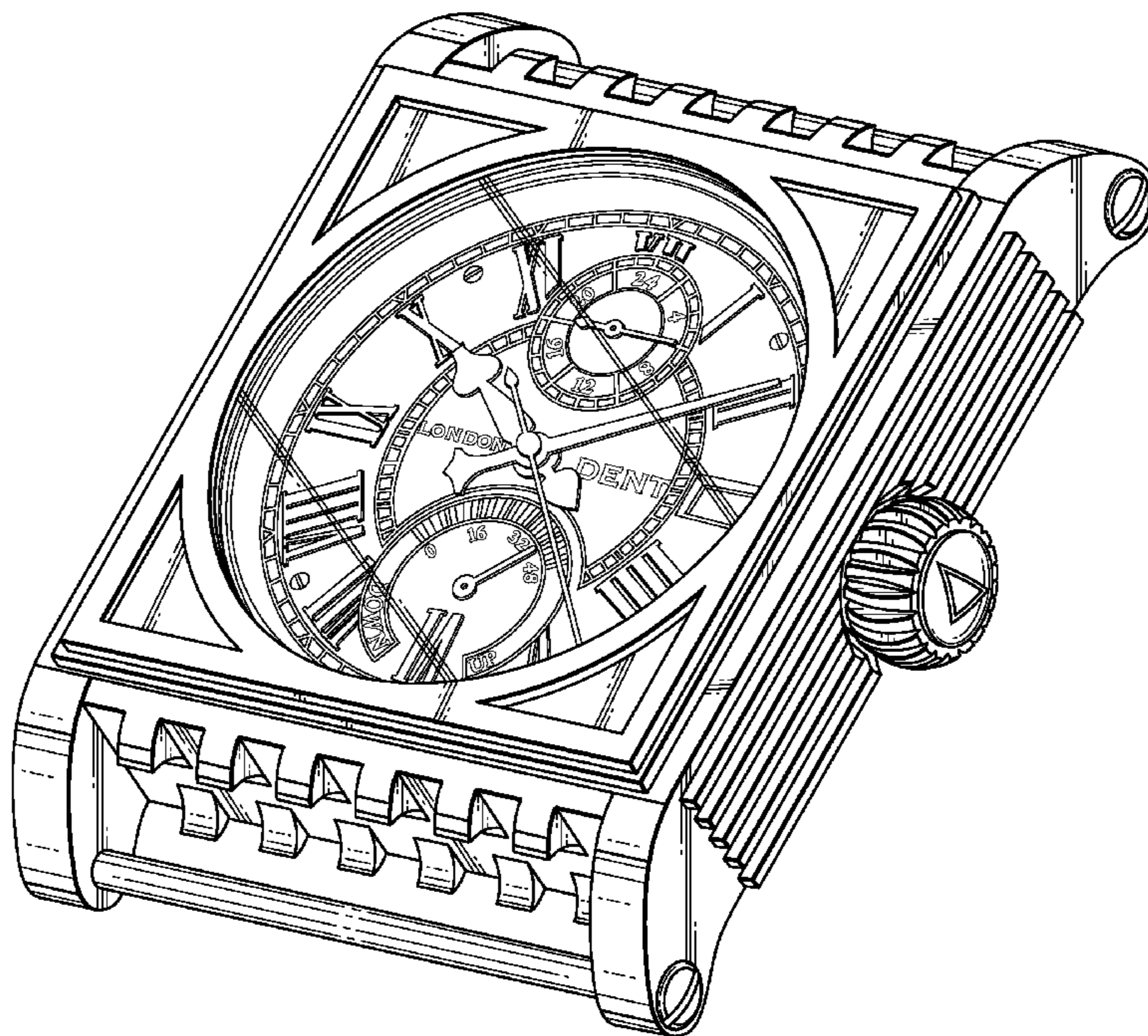
FIG. 5 is a front end view thereof;

FIG. 6 is rear end view thereof; and,

FIG. 7 is a perspective view thereof.

The broken lines in FIGS. 2 and 4 are used to show portions of the watch that do not form part of the claimed design.

**1 Claim, 5 Drawing Sheets**



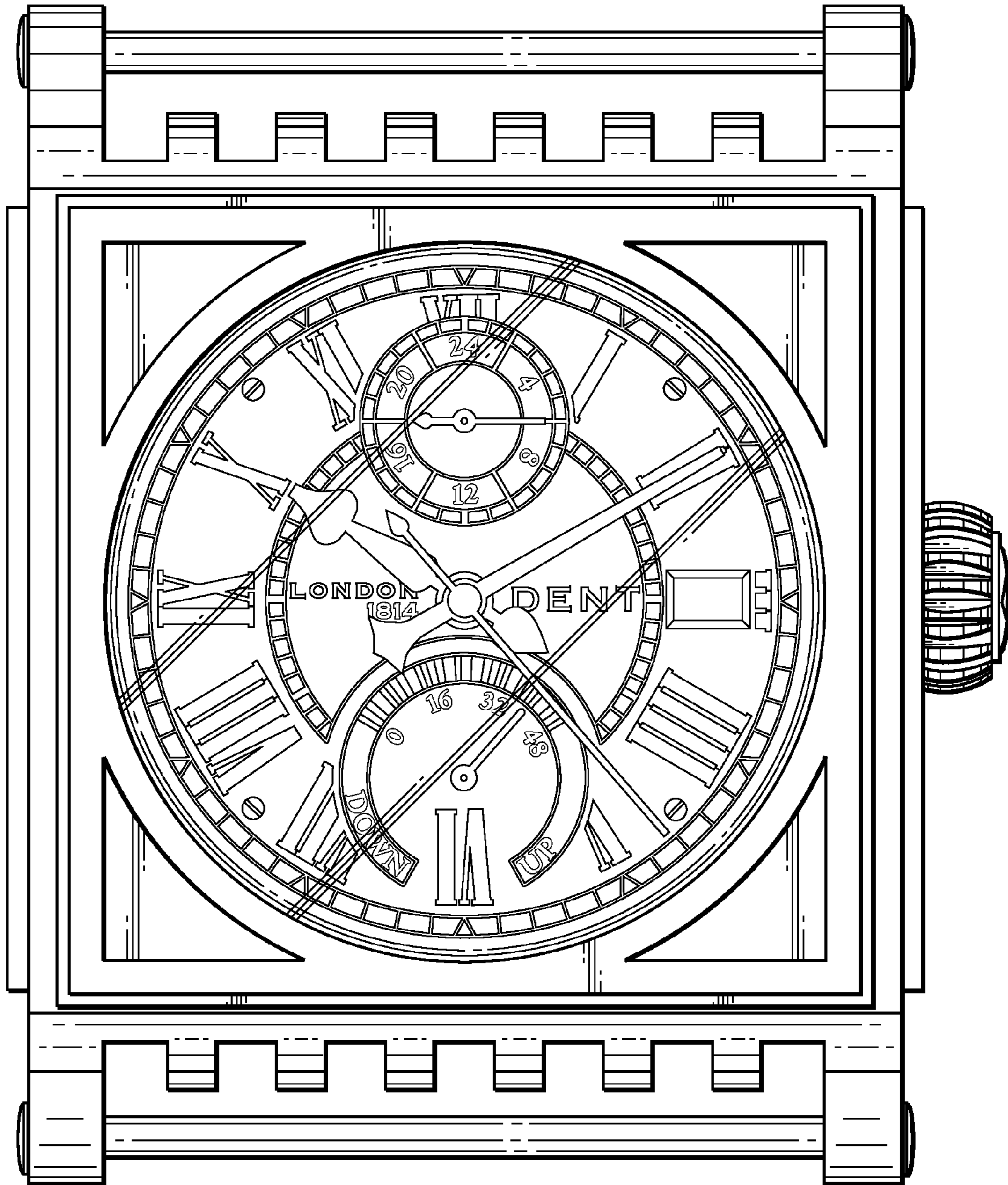


Fig. 1

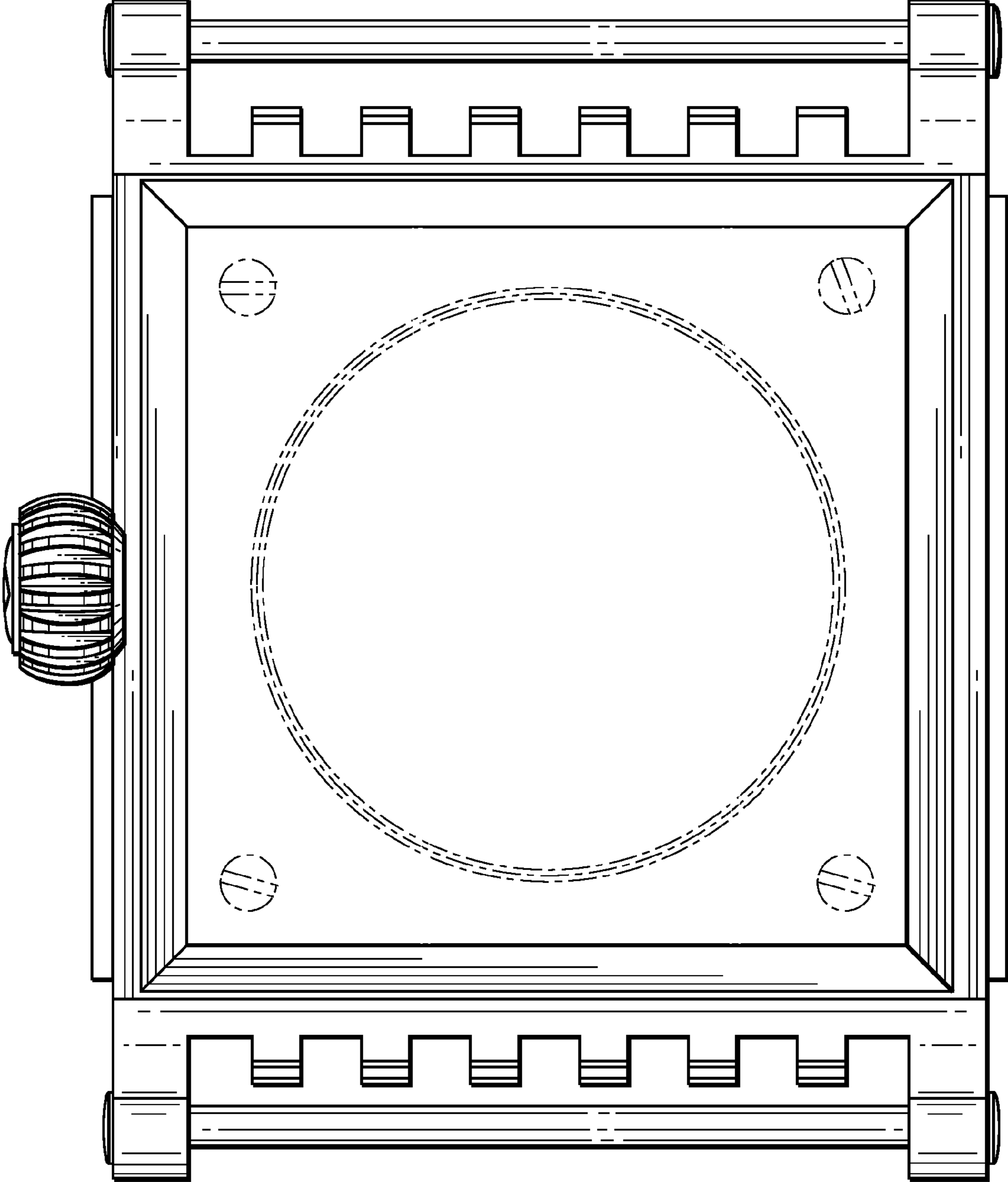


Fig. 2



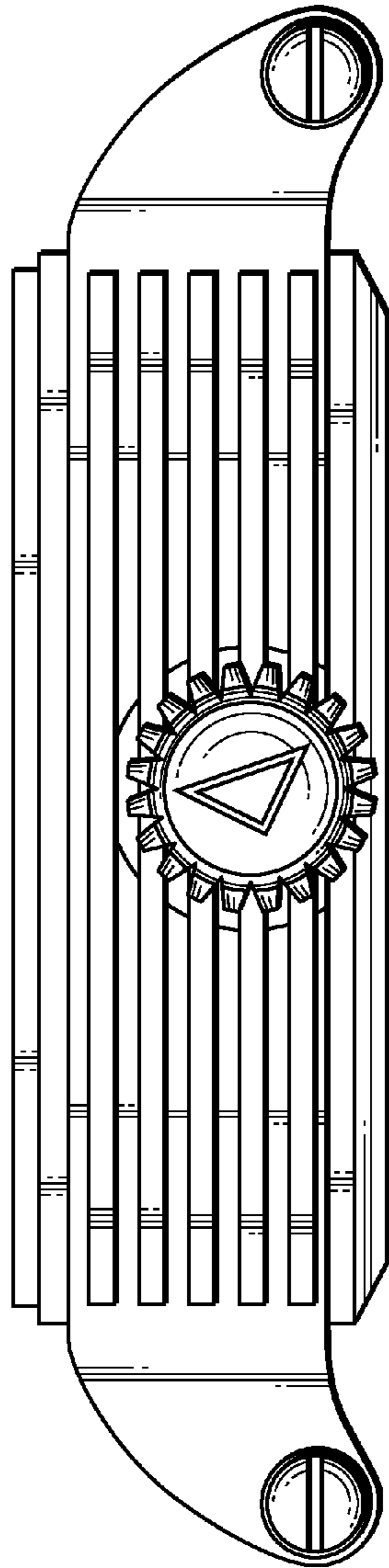


FIG. 3

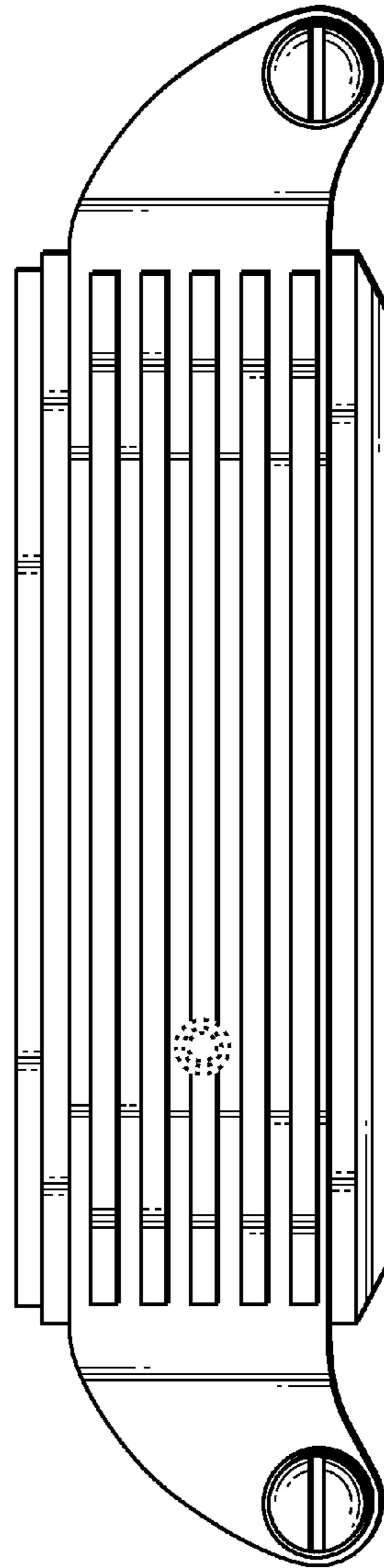


FIG. 4

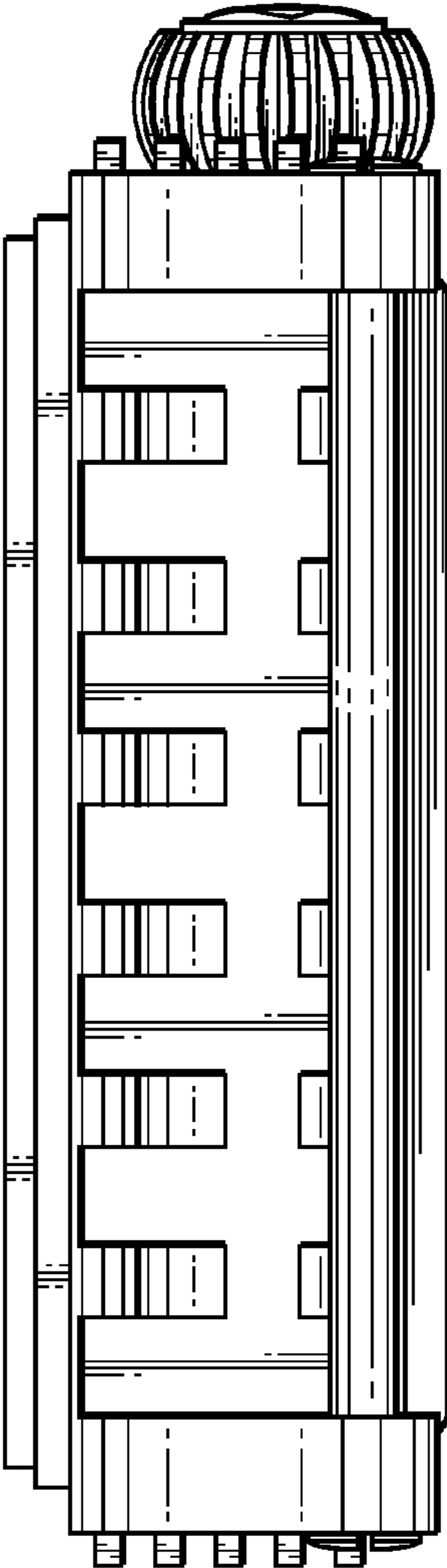


FIG. 5

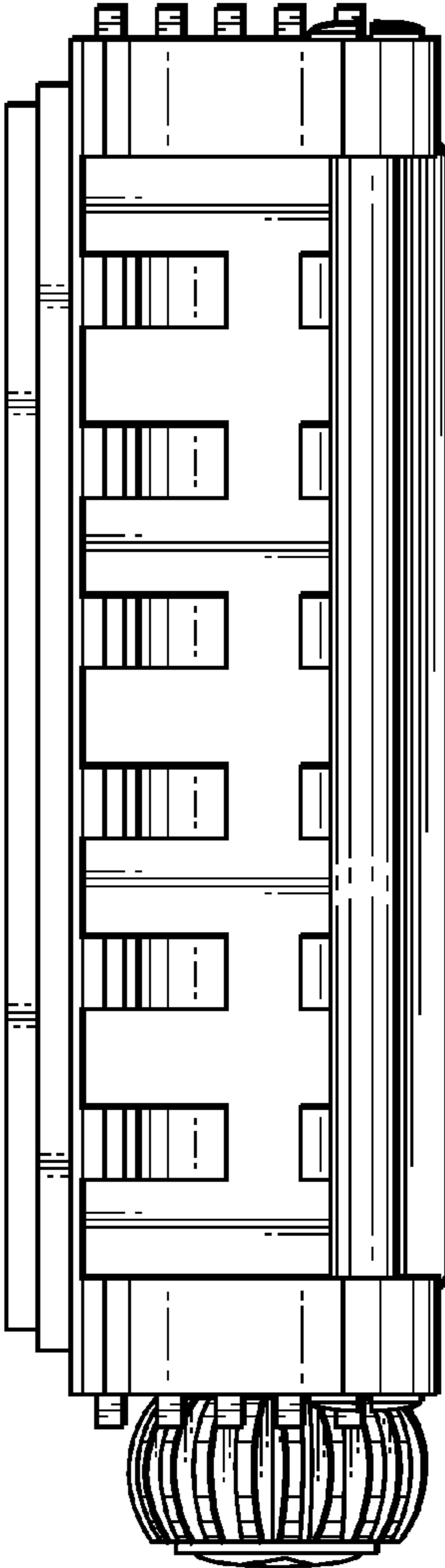


FIG. 6

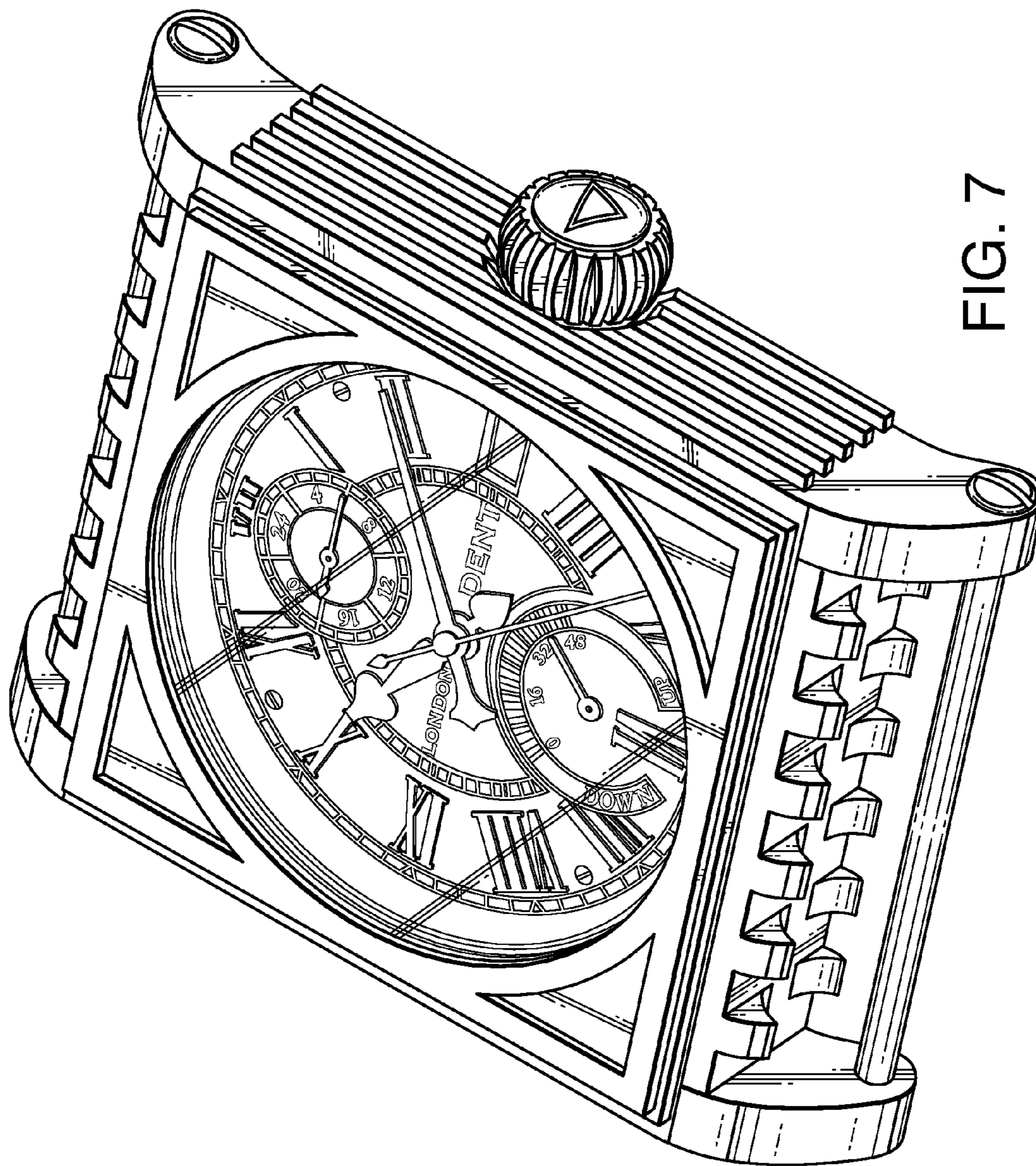


FIG. 7