



US00D607755S

(12) **United States Design Patent**
Kummer et al.

(10) **Patent No.:** **US D607,755 S**
(45) **Date of Patent:** **** Jan. 12, 2010**

(54) **WATCH CASE WITH BEZEL**

(75) Inventors: **Matthias Kummer**, Schaffhausen (CH);
Gerd Plange, Schaffhausen (CH);
Lukas Gopp, Nyon (CH)

(73) Assignee: **Richemont International S.A.**,
Villars-sur-Glane (CH)

(**) Term: **14 Years**

(21) Appl. No.: **29/338,677**

(22) Filed: **Jun. 16, 2009**

(30) **Foreign Application Priority Data**

Dec. 22, 2008 (WO) DM/071 124

(51) **LOC (9) Cl.** **10-02**

(52) **U.S. Cl.** **D10/38**

(58) **Field of Classification Search** D10/30-39;
368/276, 281, 282, 285, 308, 319, 294, 295
See application file for complete search history.

(56) **References Cited**

U.S. PATENT DOCUMENTS

2,361,563	A *	10/1944	Pellaton	368/80
D195,421	S *	6/1963	Huguenin	D10/39
D297,124	S *	8/1988	Grinberg	D10/39
D336,439	S *	6/1993	Krieger	D10/30
D384,295	S *	9/1997	Riley	D10/30
5,742,565	A *	4/1998	Cuinet et al.	368/190
D400,804	S *	11/1998	Riley et al.	D10/30
D404,322	S *	1/1999	Blondin	D10/39
6,282,153	B1 *	8/2001	Santos Neri	368/290
6,379,037	B1 *	4/2002	Saleh et al.	368/185
D459,241	S *	6/2002	Bodino	D10/32

D465,739	S *	11/2002	Arabov	D10/39
6,679,624	B1 *	1/2004	Mouawad	368/216
D502,413	S *	3/2005	Sugiura et al.	D10/39
D502,878	S *	3/2005	Bernheim	D10/32
D502,879	S *	3/2005	Bernheim	D10/32
D517,432	S *	3/2006	Laucella	D10/39
D538,182	S *	3/2007	Lalo	D10/32
D538,184	S *	3/2007	Scheufele	D10/39
D541,675	S *	5/2007	Ruchonnet	D10/38
D554,536	S *	11/2007	Tonohori et al.	D10/31
D570,231	S *	6/2008	Actis-Datta	D10/38
D579,350	S *	10/2008	Calvani	D10/39
D586,668	S *	2/2009	Dias	D10/38
D590,727	S *	4/2009	Wei	D10/38
7,517,139	B2 *	4/2009	Hiranuma et al.	368/288

* cited by examiner

Primary Examiner—Lucy Lieberman

(74) *Attorney, Agent, or Firm*—Young & Thompson

(57) **CLAIM**

The ornamental design for a watch case with bezel, as shown and described.

DESCRIPTION

FIG. 1 is a top view of the watch case with bezel.

FIG. 2 is a bottom view of the watch case with bezel.

FIG. 3 is a side view from the left of FIG. 1.

FIG. 4 is a side view from the right of FIG. 1.

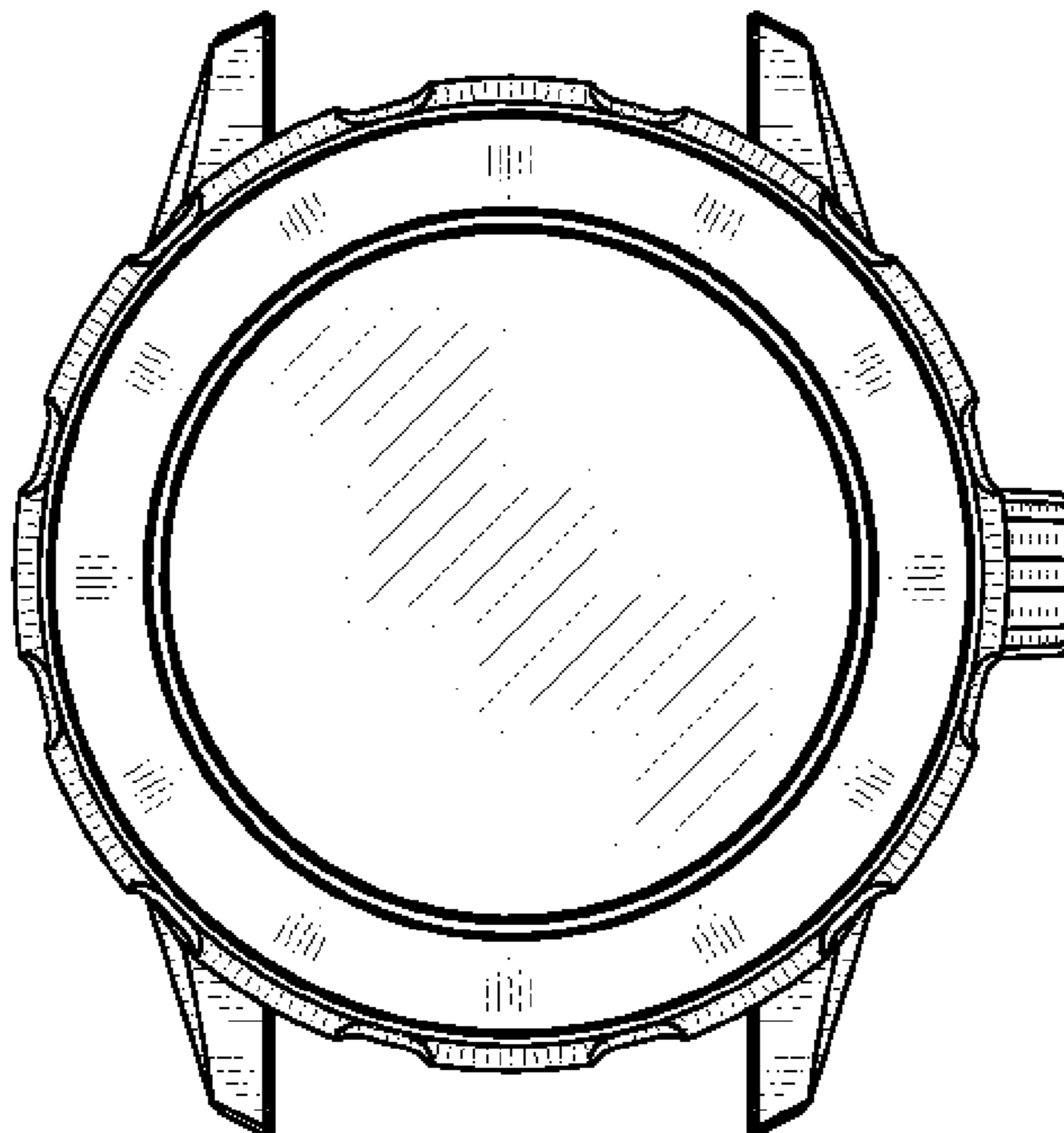
FIG. 5 is a side view from the bottom of FIG. 1.

FIG. 6 is a side view from the top of FIG. 1.

FIG. 7 is a top perspective view thereof; and,

FIG. 8 is a bottom perspective view thereof.

1 Claim, 1 Drawing Sheet



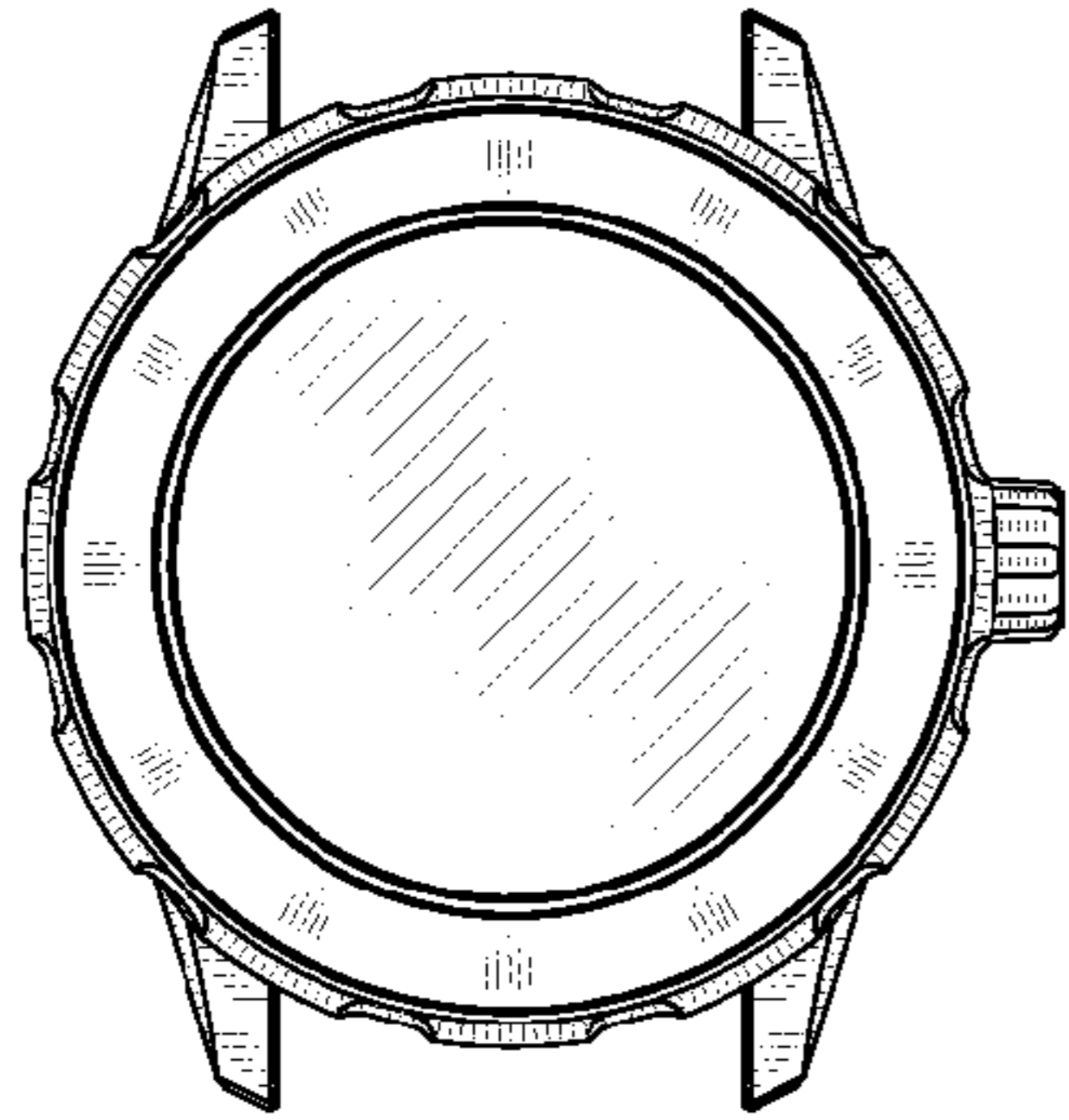


fig.1

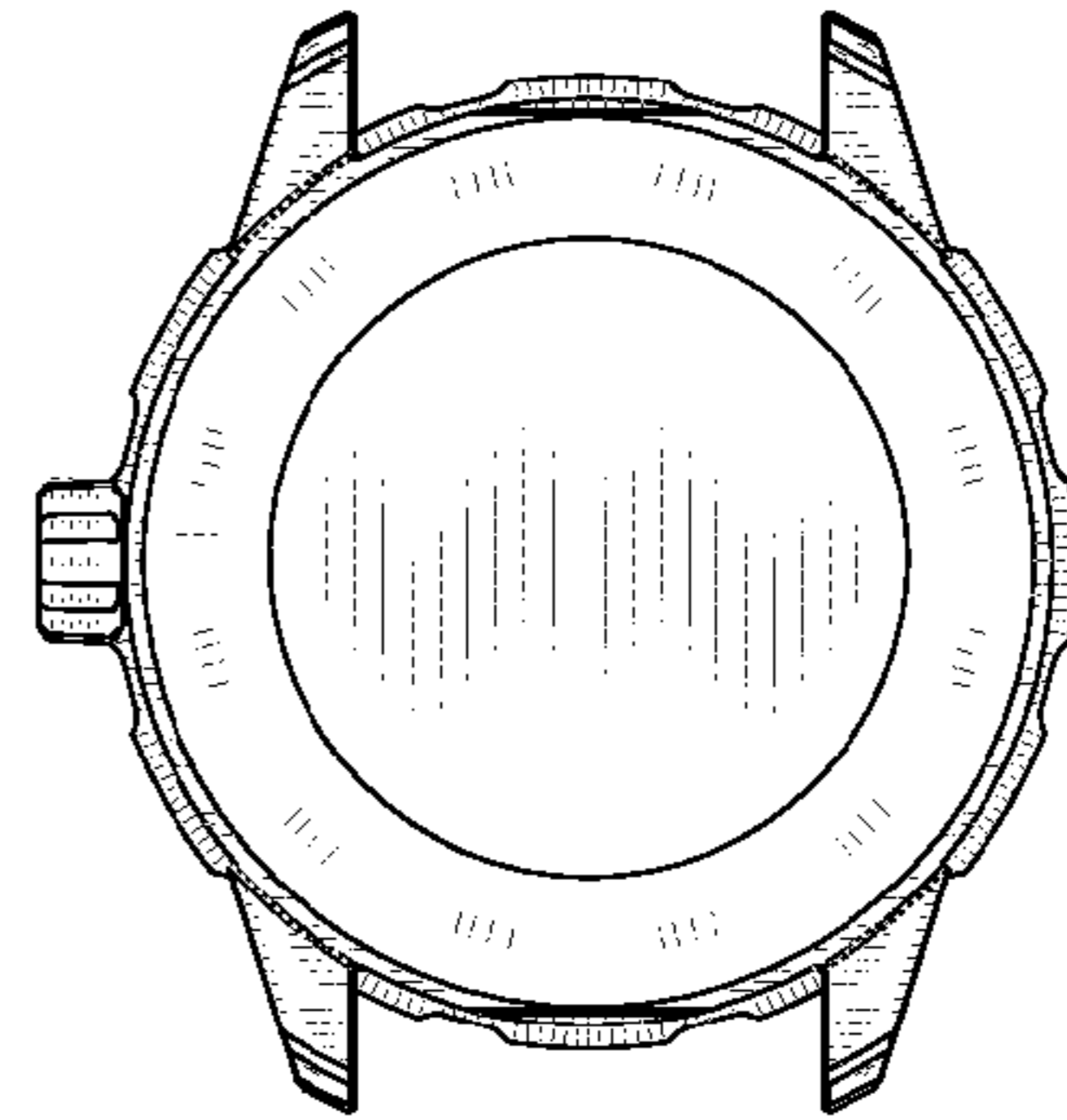


fig.2

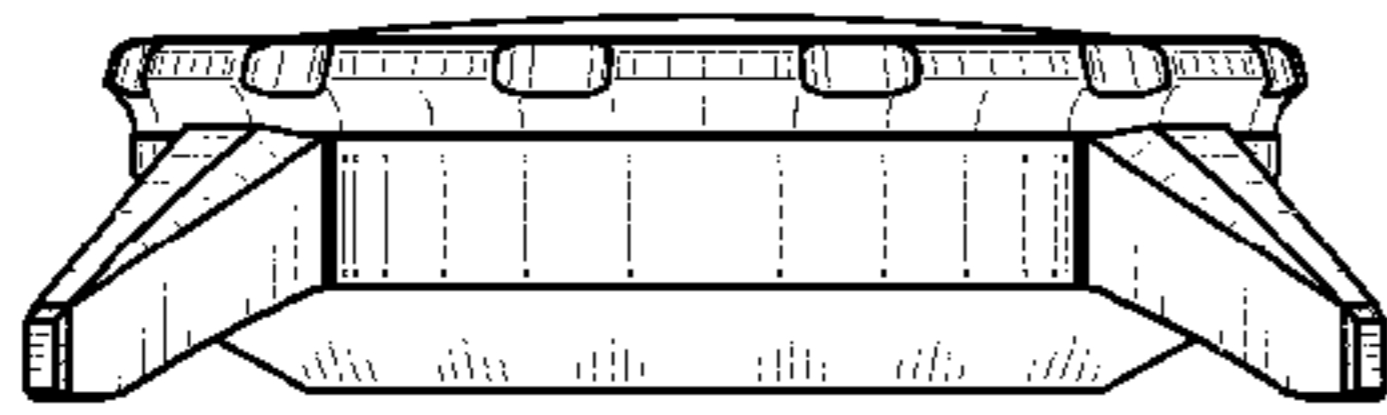


fig.3

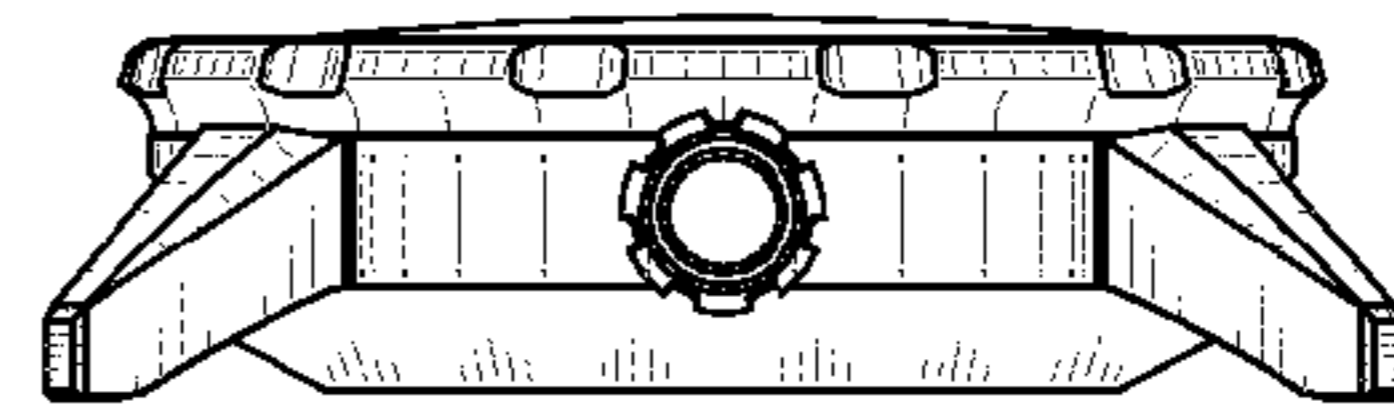


fig.4

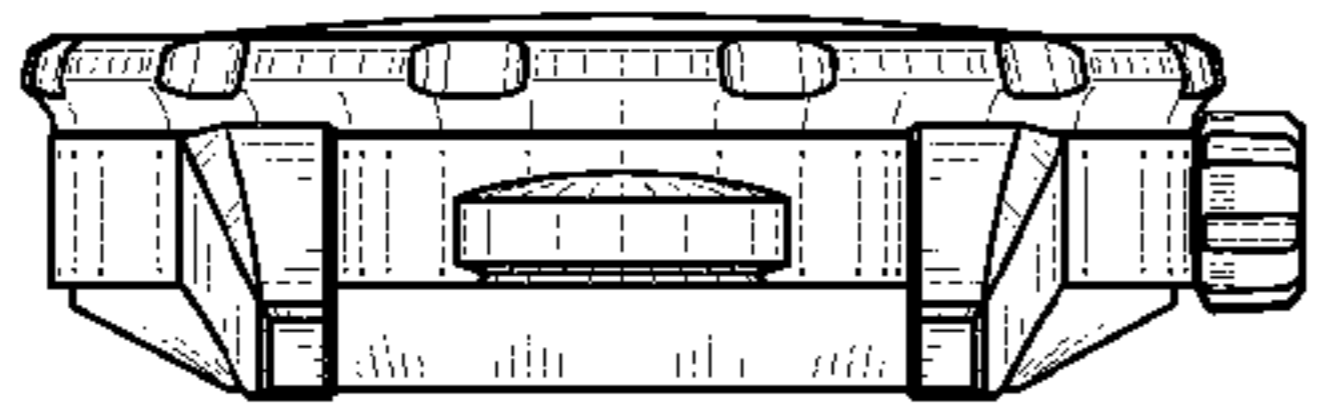


fig.5

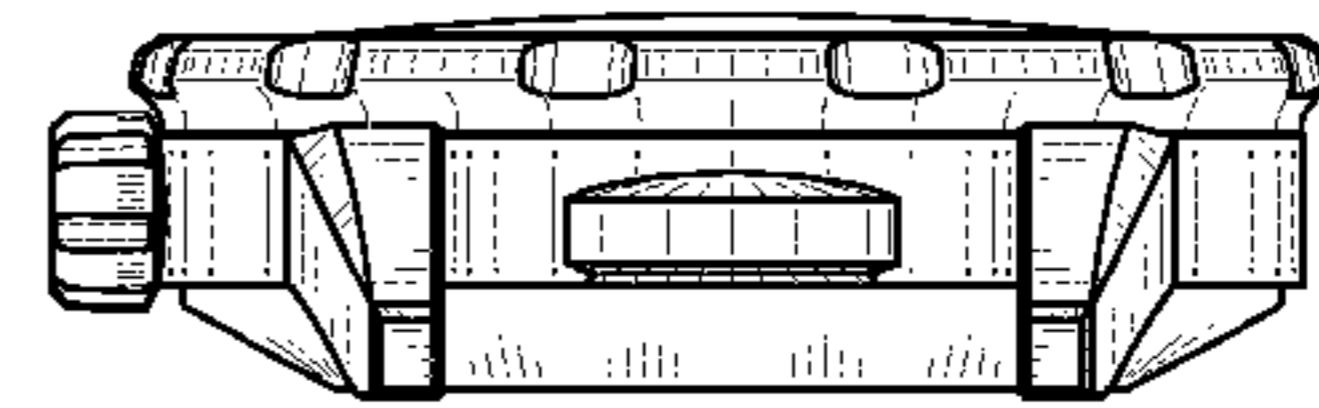


fig.6

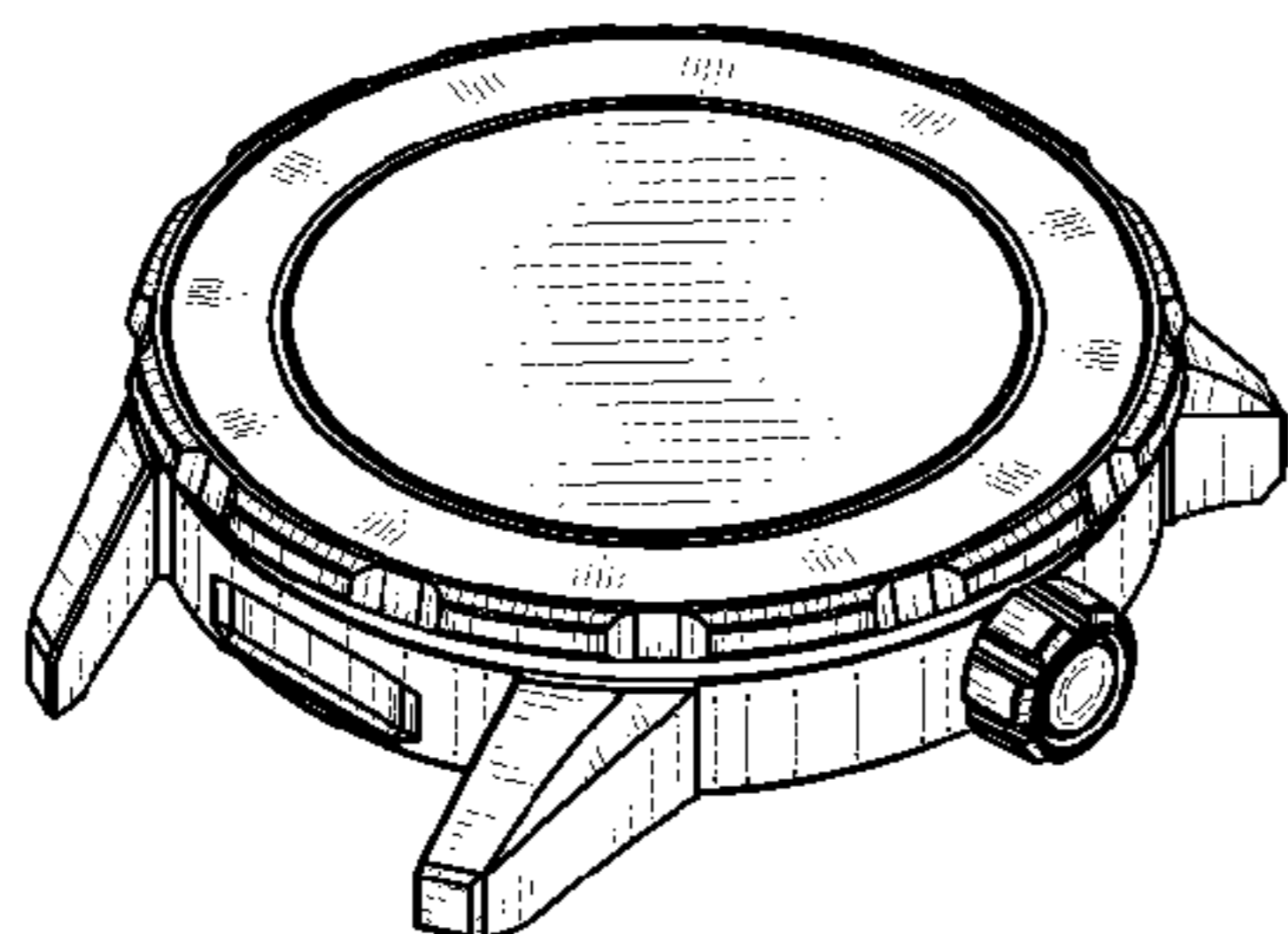


fig.7

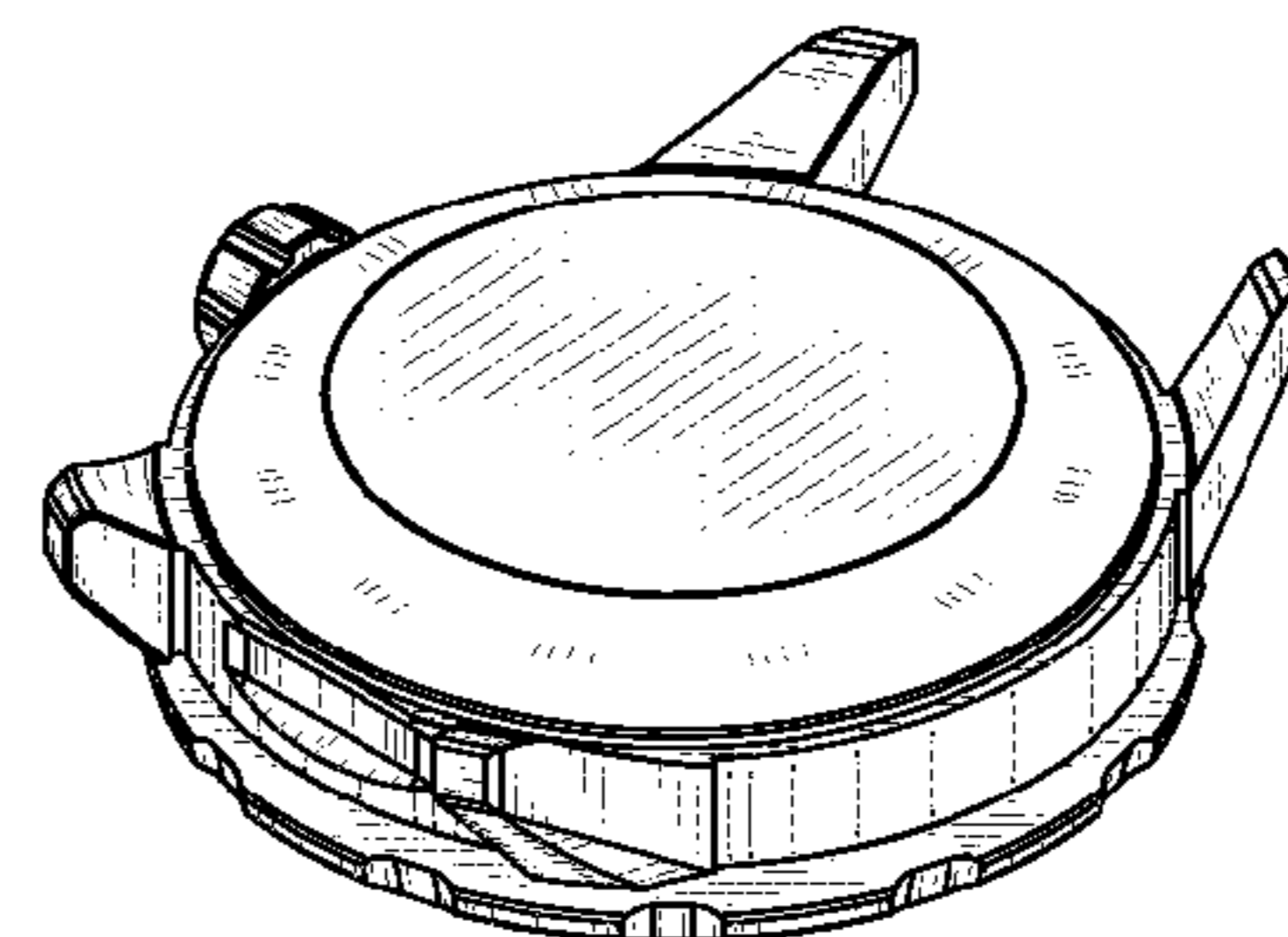


fig.8