



US00D607753S

(12) **United States Design Patent**  
**Farrell et al.**

(10) **Patent No.:** **US D607,753 S**  
(45) **Date of Patent:** **\*\* Jan. 12, 2010**

(54) **CONTAINER**

(75) Inventors: **Michael Sean Farrell**, Terrace Park, OH (US); **Gustavo Jose Camargo-Parodi**, Mason, OH (US)

(73) Assignee: **The Procter & Gamble Company**, Cincinnati, OH (US)

(\*\*) Term: **14 Years**

(21) Appl. No.: **29/340,007**

(22) Filed: **Jul. 13, 2009**

**Related U.S. Application Data**

(62) Division of application No. 29/285,495, filed on Mar. 30, 2007, now Pat. No. Des. 598,757.

(51) **LOC (9) Cl.** ..... **09-01**

(52) **U.S. Cl.** ..... **D9/741; D9/563**

(58) **Field of Classification Search** ..... D9/516,  
D9/524, 550, 563, 682, 684, 688, 689, 690,  
D9/691, 737, 738, 739, 740, 741, 742, 743,  
D9/744, 745, 746, 747; 215/6, 10  
See application file for complete search history.

(56) **References Cited**

**U.S. PATENT DOCUMENTS**

D46,131 S *	7/1914	Lusk	.....	D9/545
D50,974 S *	6/1917	Huband	.....	D19/66
D192,980 S *	6/1962	Mangini	.....	D9/741
D194,165 S *	11/1962	Riley	.....	D9/741
D224,642 S *	8/1972	Mascia	.....	D9/773
D227,347 S *	6/1973	Bystedt	.....	D9/773
D227,870 S *	7/1973	Stanley	.....	D9/773
D237,684 S *	11/1975	Koprowski	.....	D9/773
4,196,808 A *	4/1980	Pardo	.....	206/432
D280,599 S	9/1985	Green		
D280,709 S	9/1985	Waring		
D314,142 S *	1/1991	Briggs	.....	D9/550
D341,314 S	11/1993	Charbonneau et al.		
D344,024 S *	2/1994	Charbonneau et al.	.....	D9/520
5,316,159 A *	5/1994	Douglas et al.	.....	215/10
D355,365 S	2/1995	Charbonneau et al.		
D373,537 S *	9/1996	Schirado	.....	D9/572
D378,191 S *	2/1997	Wehrle et al.	.....	D9/742
D385,184 S *	10/1997	Binter	.....	D97/743
5,692,626 A *	12/1997	Wehrle et al.	.....	215/6

D390,115 S *	2/1998	Wehrle et al.	.....	D9/528
5,735,422 A *	4/1998	Binter	.....	220/4.21
D404,302 S	1/1999	Martin		
D411,802 S	7/1999	Hestehave et al.		
D439,156 S	3/2001	Hall et al.		
D446,726 S	8/2001	Hall et al.		
D456,075 S	4/2002	Clements et al.		
D471,457 S	3/2003	Deichler et al.		
D472,150 S	3/2003	Yourist		
D486,070 S	2/2004	Walsh et al.		
D487,228 S *	3/2004	Heisner et al.	.....	D9/538
D506,933 S	7/2005	Kearney		
D539,167 S *	3/2007	Garrett	.....	D9/743
D543,867 S *	6/2007	Yourist	.....	D9/739
D559,119 S *	1/2008	Stengel	.....	D9/742
D569,737 S *	5/2008	Ogawa et al.	.....	D9/740
D569,738 S *	5/2008	Ogawa et al.	.....	D9/741
D598,757 S *	8/2009	Farrell et al.	.....	D9/516

\* cited by examiner

*Primary Examiner*—Stella M Reid

*Assistant Examiner*—Elizabeth J Oswecki

(74) *Attorney, Agent, or Firm*—Amy I. Ahn-Roll

(57) **CLAIM**

The ornamental design for a container, as shown and described.

**DESCRIPTION**

FIG. 1 is a perspective view of a container showing our new design;

FIG. 2 is a front view thereof;

FIG. 3 is a rear view thereof;

FIG. 4 is a side elevational view thereof;

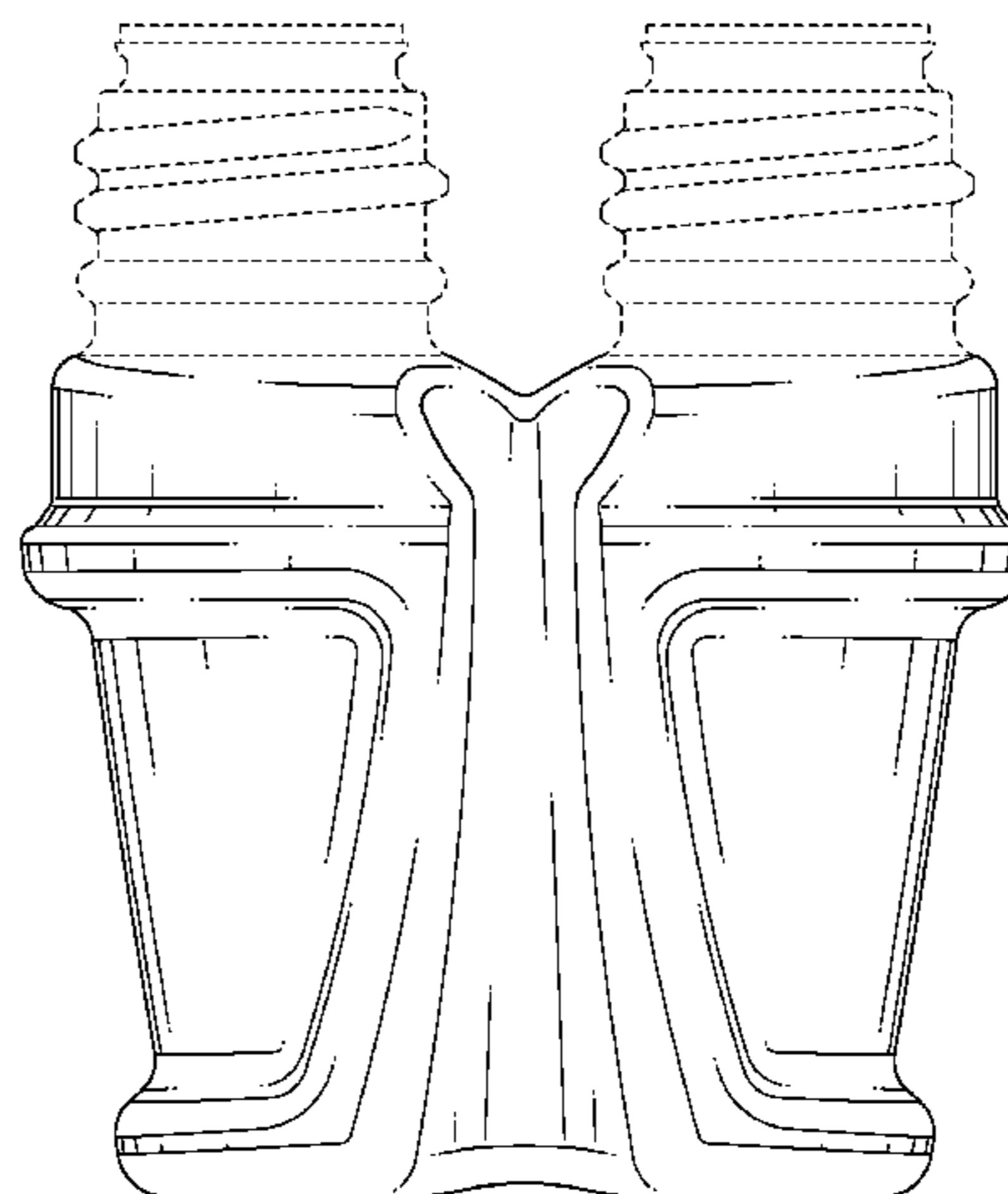
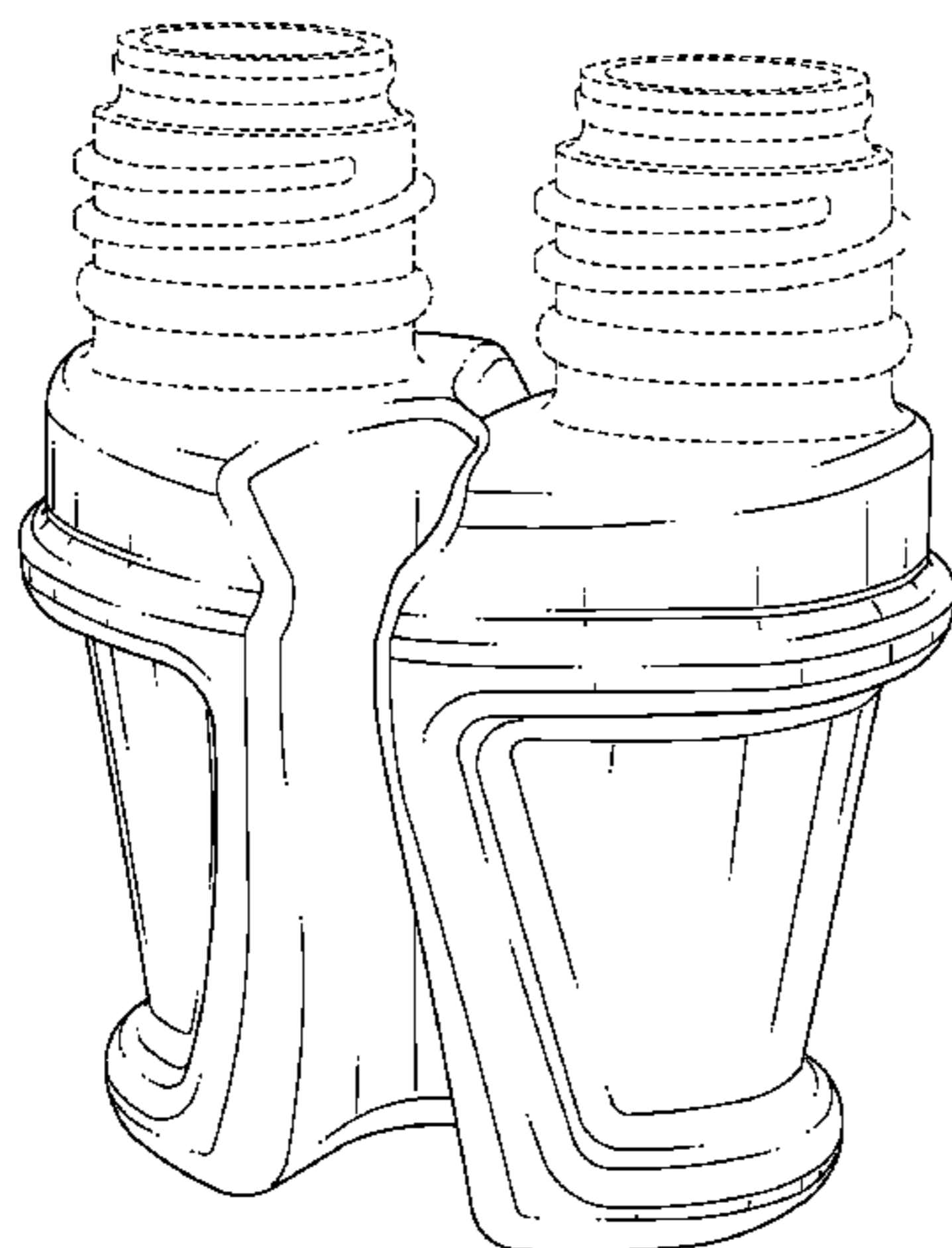
FIG. 5 is an opposite side elevational view thereof;

FIG. 6 is a top view thereof; and,

FIG. 7 is a bottom view thereof.

The broken line showing of a pour spout in FIGS. 1–6 is included for the purpose of illustrating only and forms no part of the claimed design.

**1 Claim, 7 Drawing Sheets**



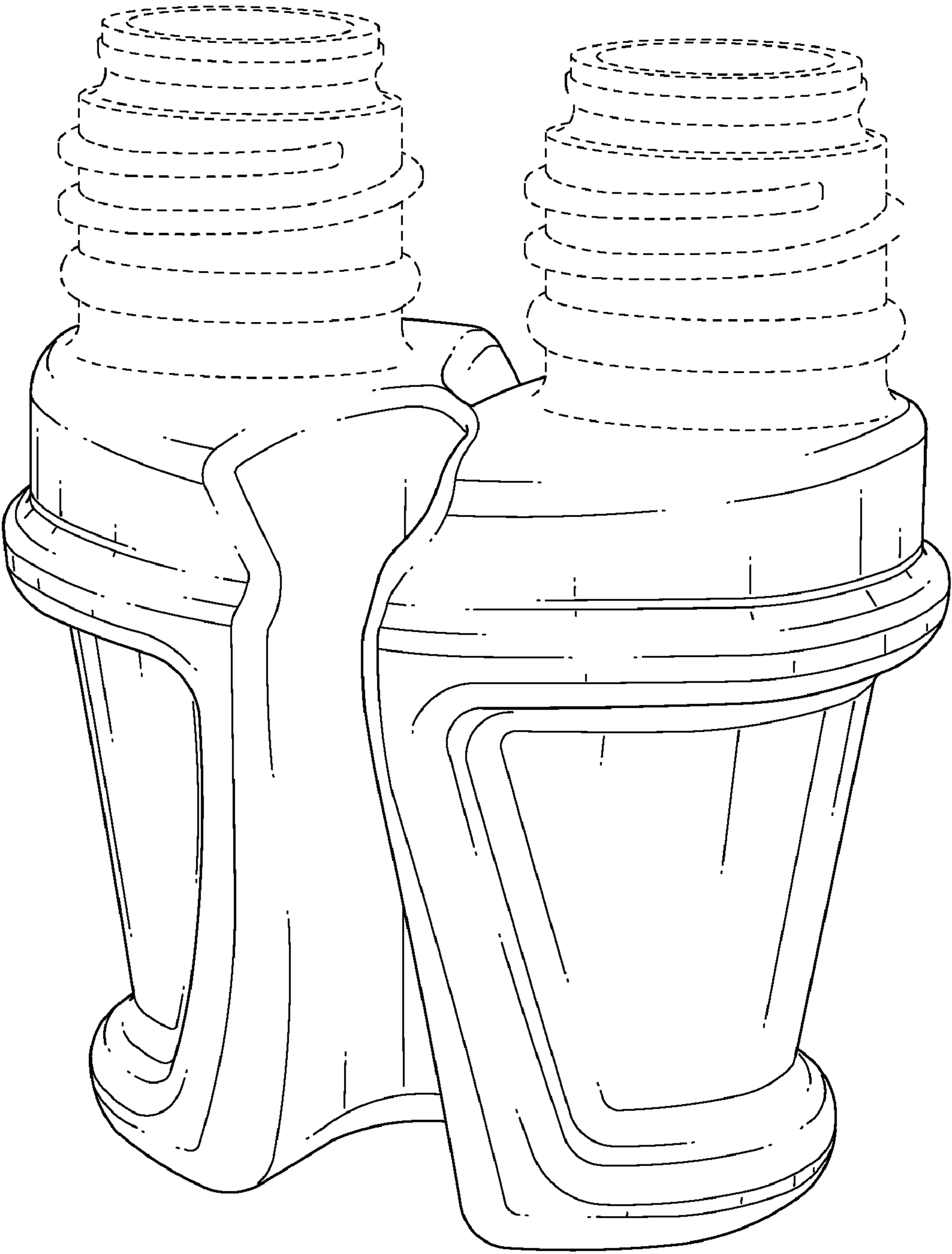


FIG. 1

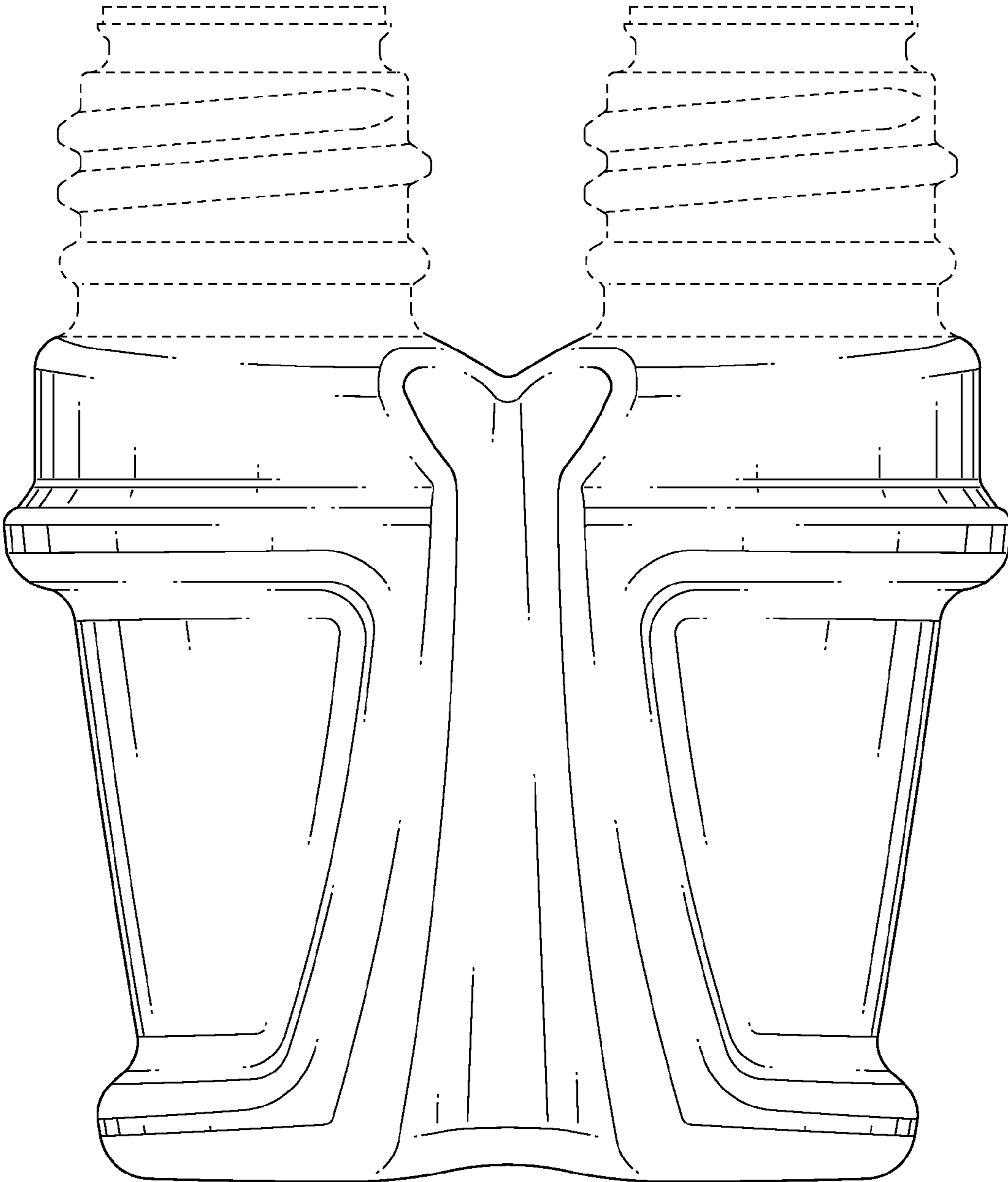


FIG. 2

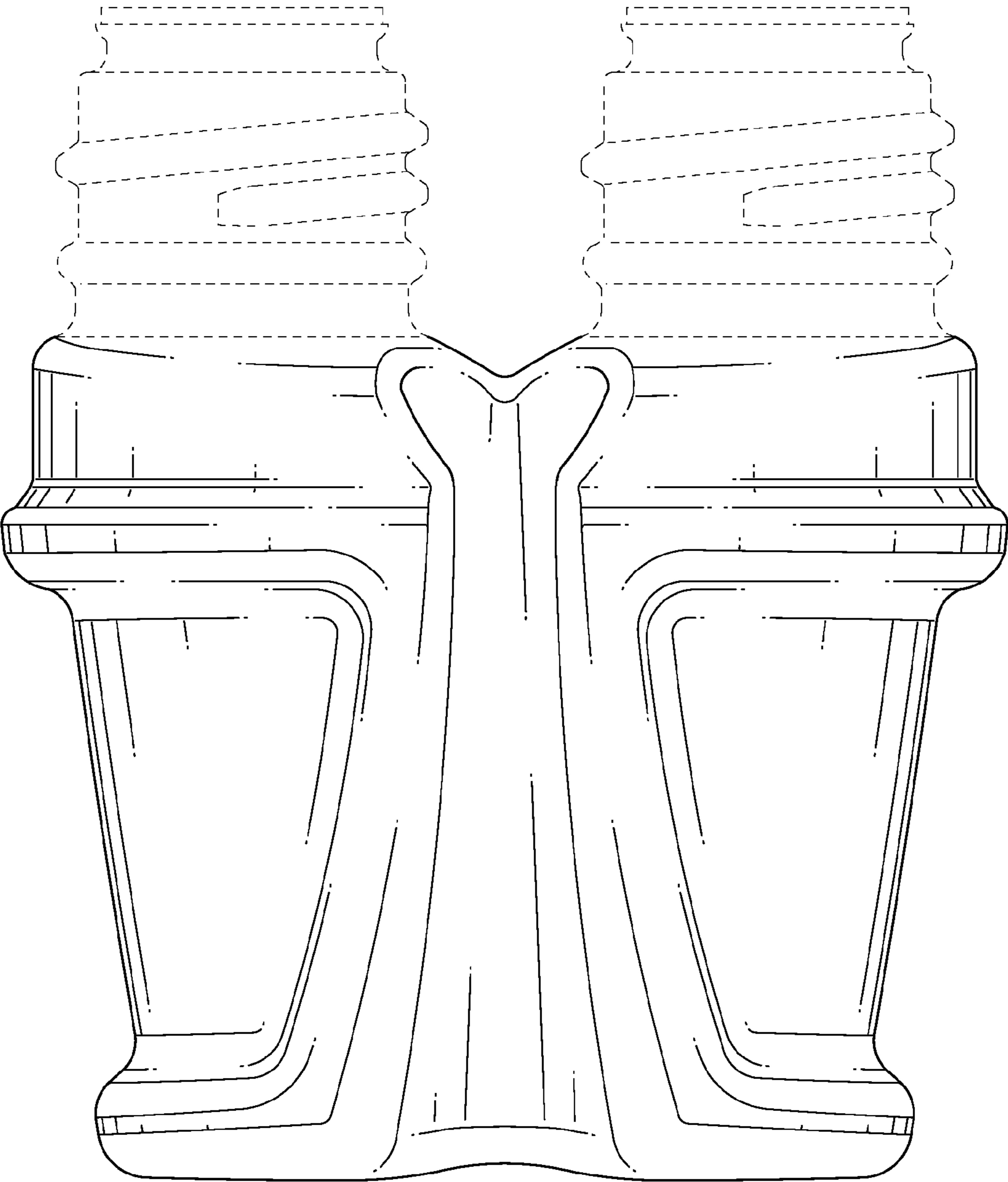


FIG. 3

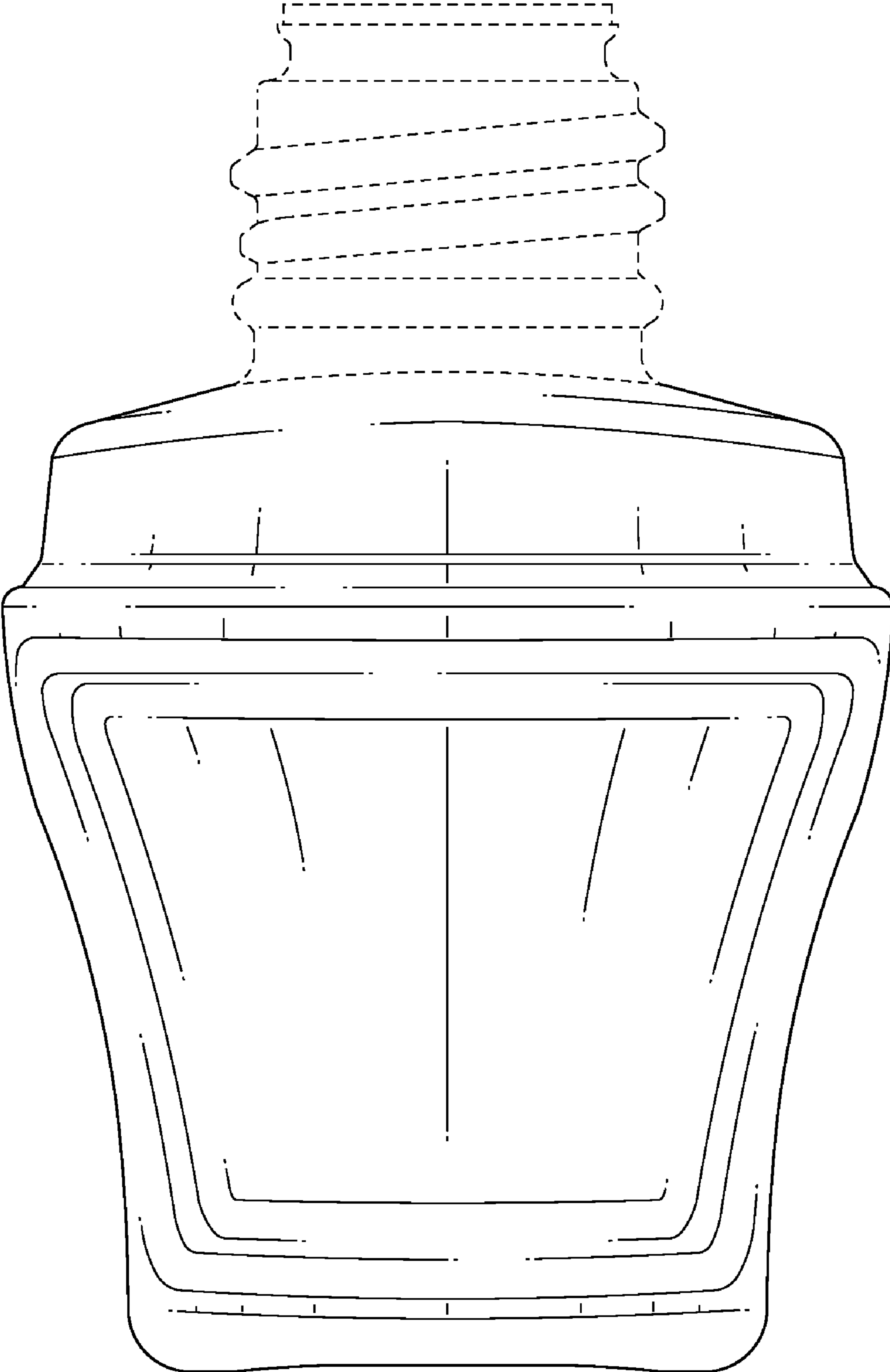


FIG. 4

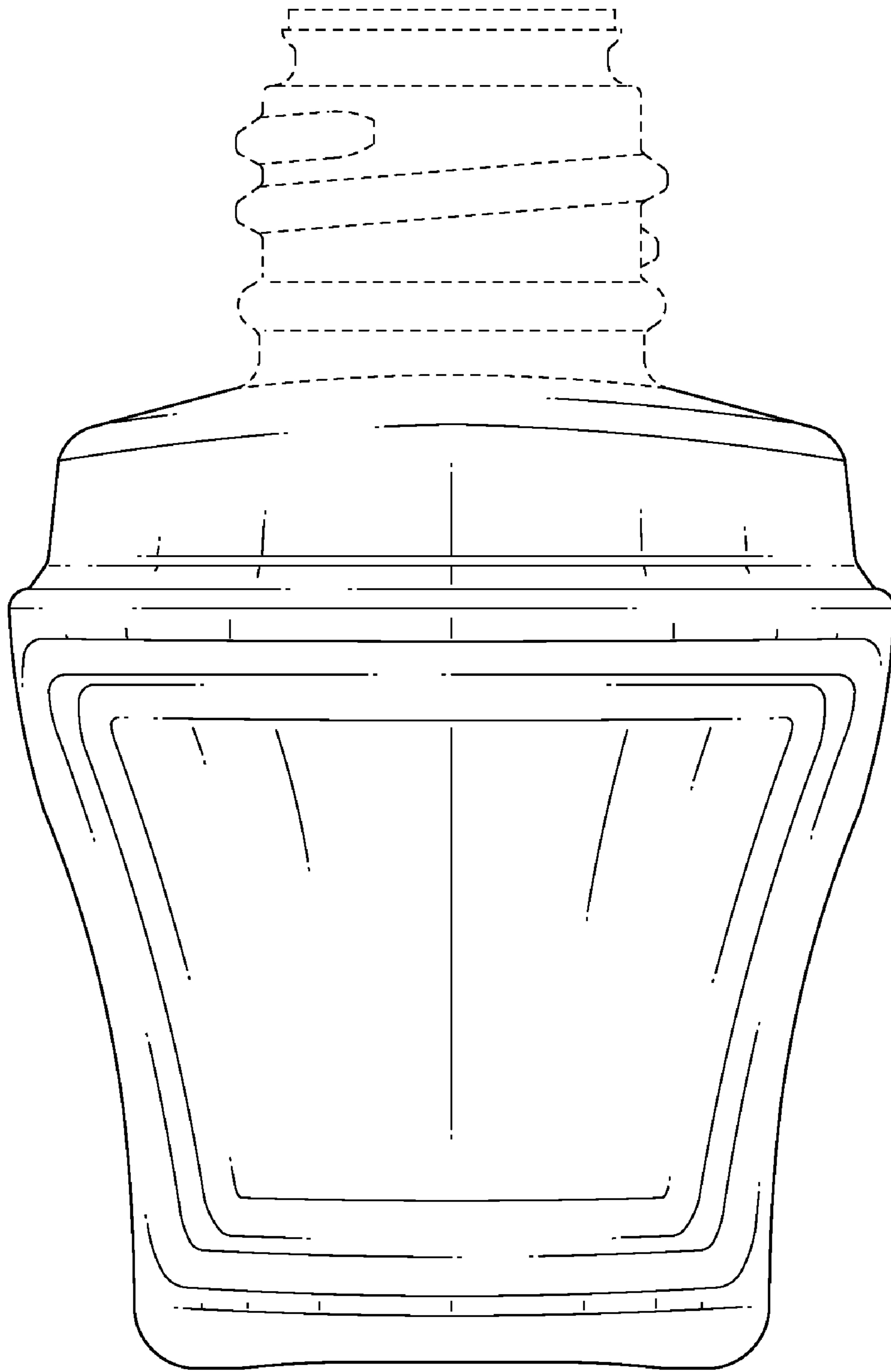


FIG. 5

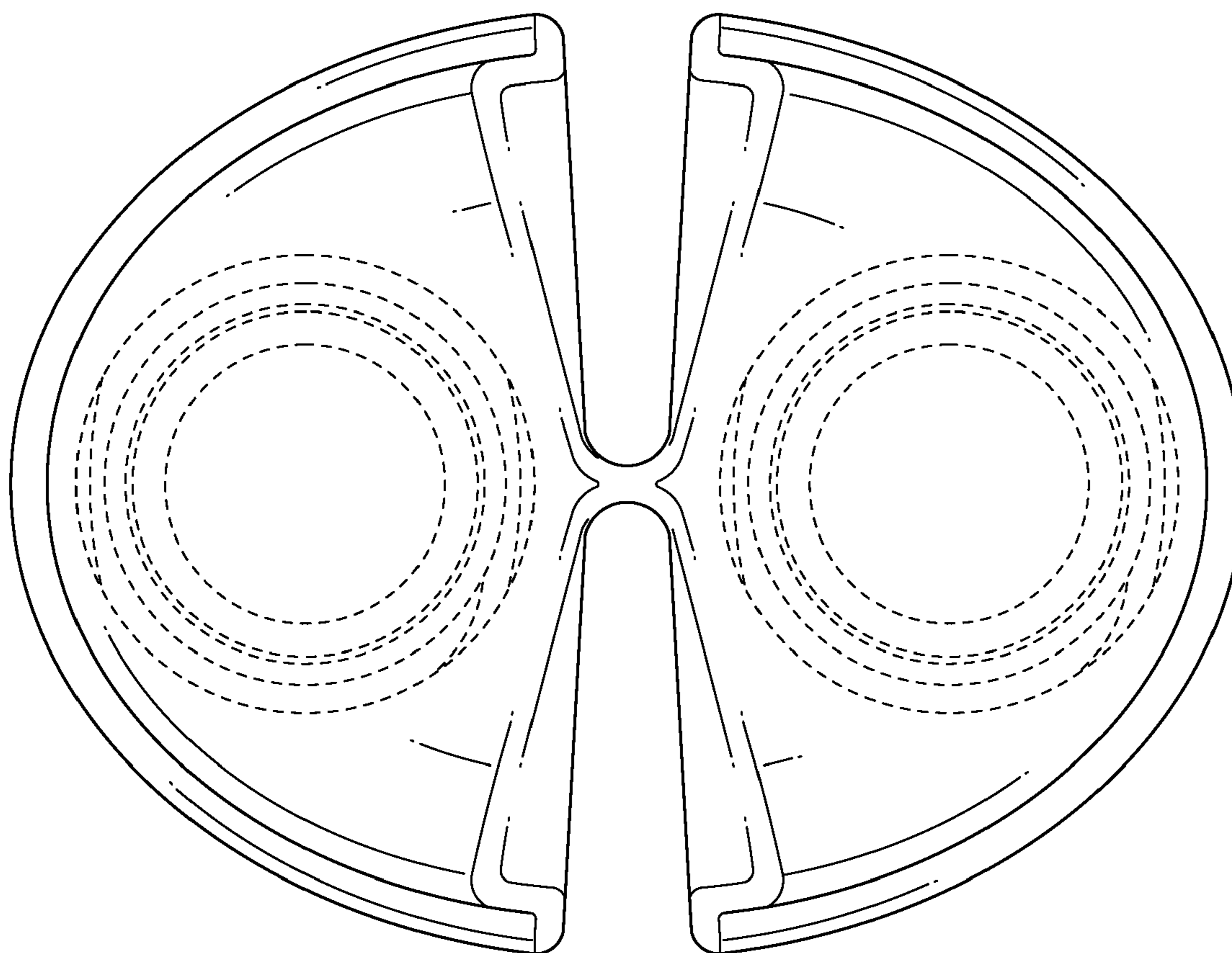


FIG. 6

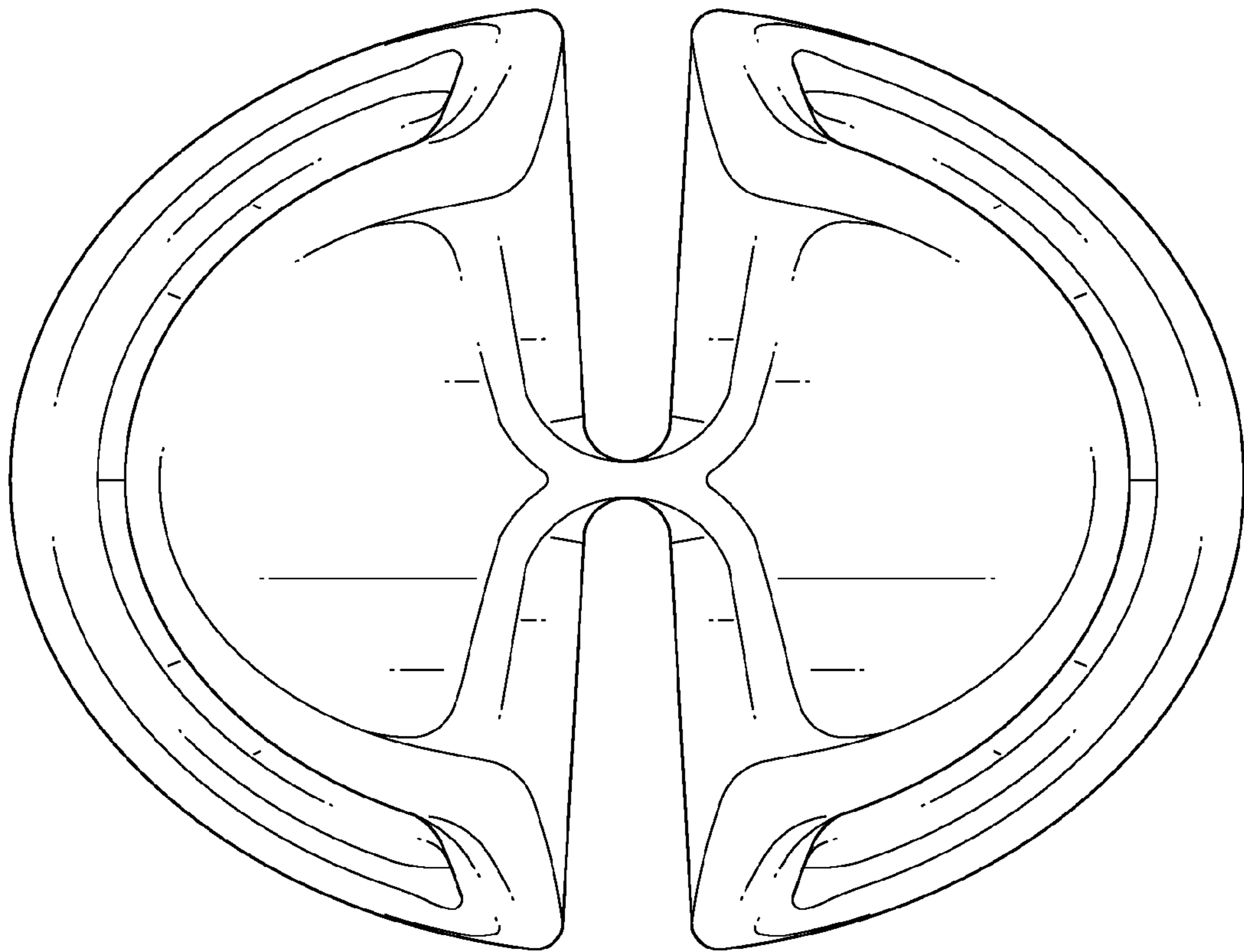


FIG. 7