

US00D607744S

(12) **United States Design Patent**
Laird et al.

(10) **Patent No.:** **US D607,744 S**
(45) **Date of Patent:** **** Jan. 12, 2010**

(54) **FRAGRANCE BOTTLE**

(75) Inventors: **Treyton Laird**, New York, NY (US);
Hans Dorsinville, New York, NY (US);
Elizabeth Bogert, Croton on Hudson,
NY (US); **Jesse A. Chertoff**, Brooklyn,
NY (US)

(73) Assignee: **Gabrielle Studio, Inc.**, New York, NY
(US)

(**) Term: **14 Years**

(21) Appl. No.: **29/318,865**

(22) Filed: **May 29, 2008**

(51) **LOC (9) Cl.** **09-01**

(52) **U.S. Cl.** **D9/573; D9/454; D9/574**

(58) **Field of Classification Search** D9/682,
D9/686, 687, 692, 693, 694, 516, 529, 544,
D9/545, 560, 561, 572, 573, 574, 452, 453,
D9/454; 215/381-385; 220/662, 665, 669
See application file for complete search history.

(56) **References Cited**

U.S. PATENT DOCUMENTS

D27,261 S	6/1897	Beach	
1,611,443 A *	12/1926	Hothersall	222/542
D72,687 S *	5/1927	Vionnet	D9/560
D90,558 S *	8/1933	Tricard	D9/560
D92,148 S	5/1934	McGiveran	

(Continued)

FOREIGN PATENT DOCUMENTS

AU 102878 2/1989

(Continued)

OTHER PUBLICATIONS

[http://www.gnpd.com/sinatra/gnpd/search&exec/search_results/
&s_filter=3&item_id=792962?si...](http://www.gnpd.com/sinatra/gnpd/search&exec/search_results/&s_filter=3&item_id=792962?si...); *Fragrance; Susanne Lang
Parfumerie; Susanne Lang Midnight Orchid; USA; Oct. 2007.*

(Continued)

Primary Examiner—Stella M Reid
Assistant Examiner—Elizabeth J Oswecki
(74) *Attorney, Agent, or Firm*—Cynthia R. Miller

(57) **CLAIM**

The ornamental design for a fragrance bottle, substantially as shown and described.

DESCRIPTION

FIG. 1 is a top, front and right side perspective view of a first embodiment of a fragrance bottle showing our new design;

FIG. 2 is a front elevation view thereof, the rear elevation being identical thereto;

FIG. 3 is a side elevation view thereof, the opposite side elevation view being identical thereto;

FIG. 4 is a top plan view thereof;

FIG. 5 is a bottom plan view thereof;

FIG. 6 is a top, front and right side perspective view of a second embodiment of a fragrance bottle showing our new design;

FIG. 7 is a front elevation view thereof, the rear elevation being identical thereto;

FIG. 8 is a side elevation view thereof, the opposite side elevation view being identical thereto;

FIG. 9 is a top plan view thereof;

FIG. 10 is a bottom plan view thereof;

FIG. 11 is a top, front and right side perspective view of a second embodiment of a fragrance bottle showing our new design;

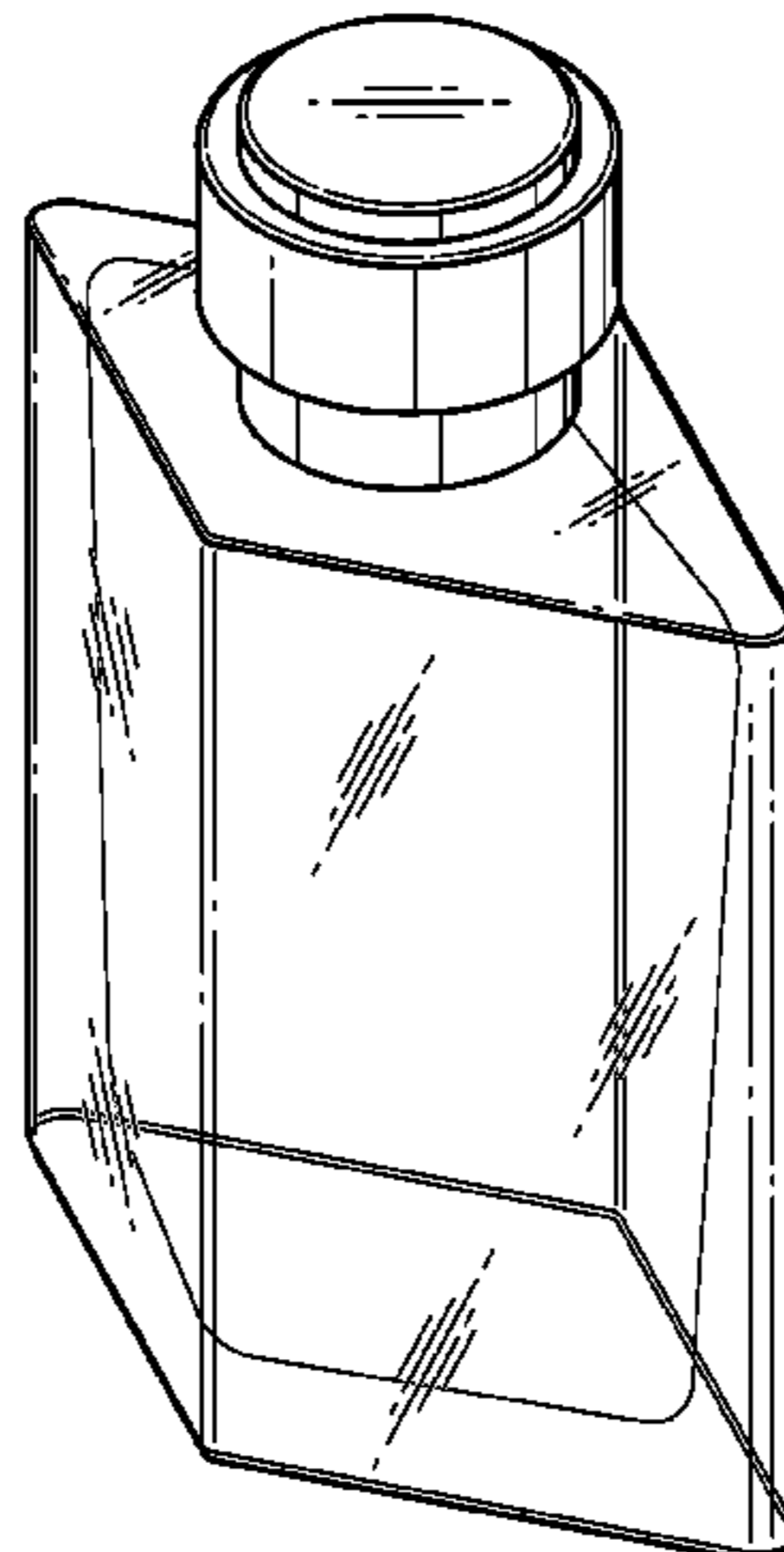
FIG. 12 is a front elevation view thereof, the rear elevation being identical thereto;

FIG. 13 is a side elevation view thereof, the opposite side elevation view being identical thereto;

FIG. 14 is a top plan view thereof; and,

FIG. 15 is a bottom plan view thereof.

1 Claim, 5 Drawing Sheets



US D607,744 S

Page 2

U.S. PATENT DOCUMENTS

D109,767	S	*	5/1938	Schein	D9/563
D234,077	S		1/1975	Peterson		
D322,399	S		12/1991	Cromer		
D325,166	S	*	4/1992	Versace	D9/544
D368,554	S		4/1996	Fiore		
D391,857	S		3/1998	Fiore		
D394,210	S		5/1998	Fiore		
D408,291	S		4/1999	Lee		
D425,794	S		5/2000	Grossnickle		
D427,516	S	*	7/2000	Legros	D9/632
D428,577	S	*	7/2000	Shanahan	D9/544
D431,193	S	*	9/2000	Shanahan	D9/544
D444,394	S		7/2001	Mettler		
D454,502	S	*	3/2002	Legros	D9/544
D511,688	S	*	11/2005	Baron	D9/560
D555,002	S	*	11/2007	Lloyd et al.	D9/544
D558,050	S		12/2007	Urcun		
D559,698	S	*	1/2008	Rica	D9/544
D562,689	S	*	2/2008	Antretter	D9/544
D565,963	S	*	4/2008	Slimane	D6/687
D567,100	S	*	4/2008	Liden et al.	D9/560
D567,664	S	*	4/2008	Rica	D9/560
D571,219	S	*	6/2008	McCoy	D9/546
D577,602	S	*	9/2008	Phemster	D9/687
D584,639	S	*	1/2009	Antretter	D9/687
D584,953	S	*	1/2009	Rica	D9/544
D590,718	S	*	4/2009	Rica	D9/546
D595,141	S	*	6/2009	Rica	D9/544

RU	59252	6/2006
RU	61923	3/2007
RU	63573	8/2007
RU	63887	9/2007
RU	65223	1/2008
RU	66104	4/2008
WO	DM/011160	6/1988
WO	DM/015504	8/1989
WO	DM/024302	10/1992
WO	DM/045350	11/1998
WO	DM/050099	2/2000
WO	DM/053515	12/2000
WO	DM/055404	5/2001
WO	DM/058948	3/2002
WO	DM/060105	6/2002
WO	DM/061647	11/2002
WO	DM/065054	4/2004
WO	DM/065738	9/2004
ZA	82/0438	5/1982
ZA	97/0851	5/1998
ZA	98/0648	1/1999
ZA	99/0326	12/1999
ZA	99/1221	10/2000
ZA	2000/567	4/2001
ZA	2000/569	4/2001
ZA	2004/1165	5/2005
ZA	2004/1166	5/2005
ZA	2005/0679	2/2006
ZA	2005/0765	2/2006

FOREIGN PATENT DOCUMENTS

AU	124009	7/1995
AU	157755	3/2005
JP	924185	5/1995
JP	1039995	5/1999
JP	1047538	8/1999
JP	1147438	7/2002
JP	1177957	6/2003
MX	6654	5/1994
MX	19564	12/2005
MX	22228	1/2007
RU	46191	10/1999
RU	58467	1/2006

OTHER PUBLICATIONS

http://www.gnpd.com/sinatra/gnpd/search_results/&item_id=193886; Dunhill Desire Blue Men's Fragrance; Alfred Dunhill; Alfred Dunhill; Spain; Mar. 2003.

http://www.gnpd.com/sinatra/gnpd/search_results/&item_id=177669; Diversity Man Fragrance; Star Parfums; Mexx; Sweden; Nov. 2002.

http://www.gnpd.com/sinatra/gnpd/search_results/&item_id=256701; ENjoy Fragrance; P&G Prestige Beaute; Jean Patou; Norway; Feb. 2004.

http://www.gnpd.com/sinatra/gnpd/search_results/&item_id=530926; Eau De Parfum; Lancome; Lancome Hypnose; USA; May 2006.

* cited by examiner

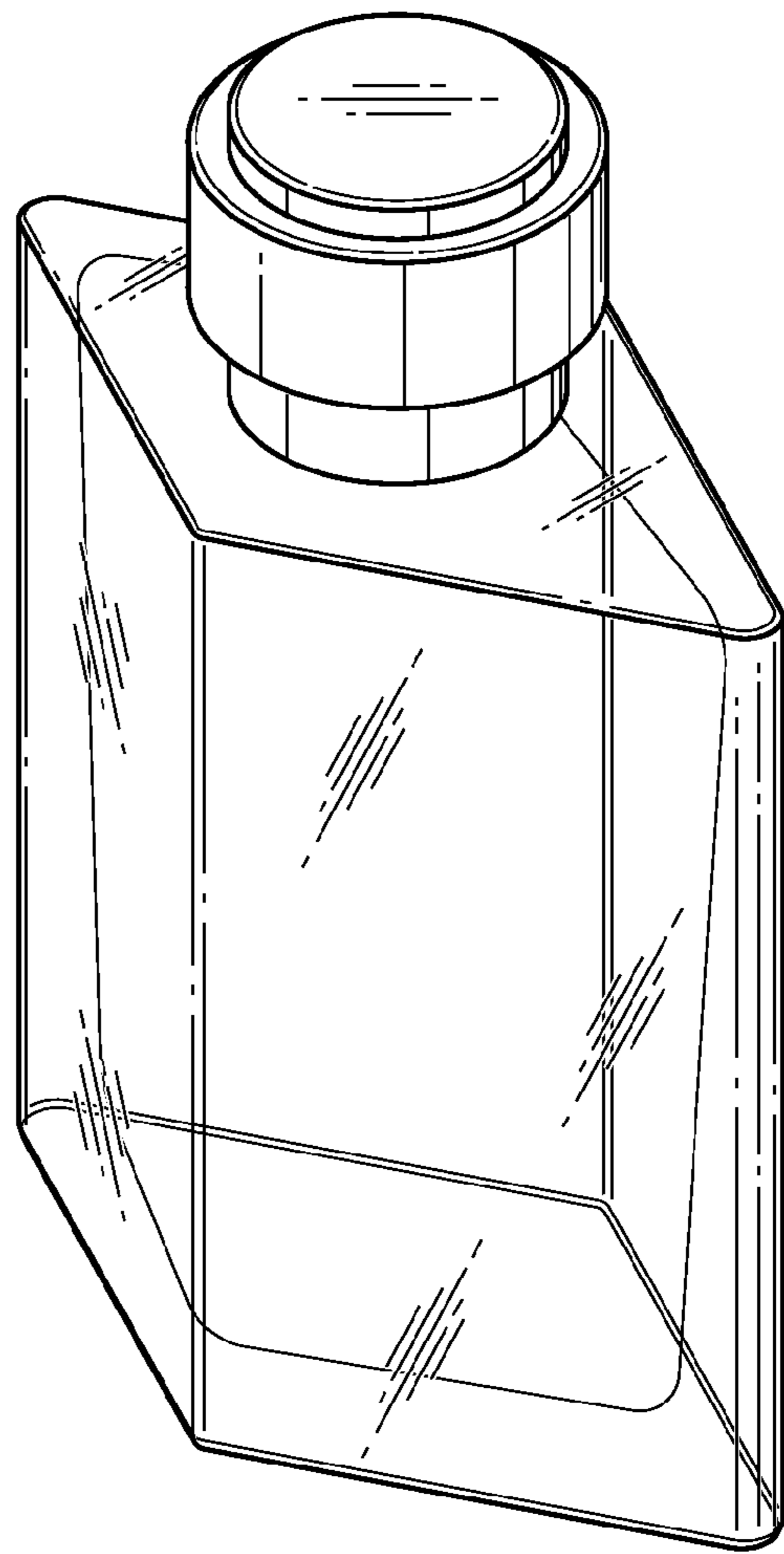


FIG. 1

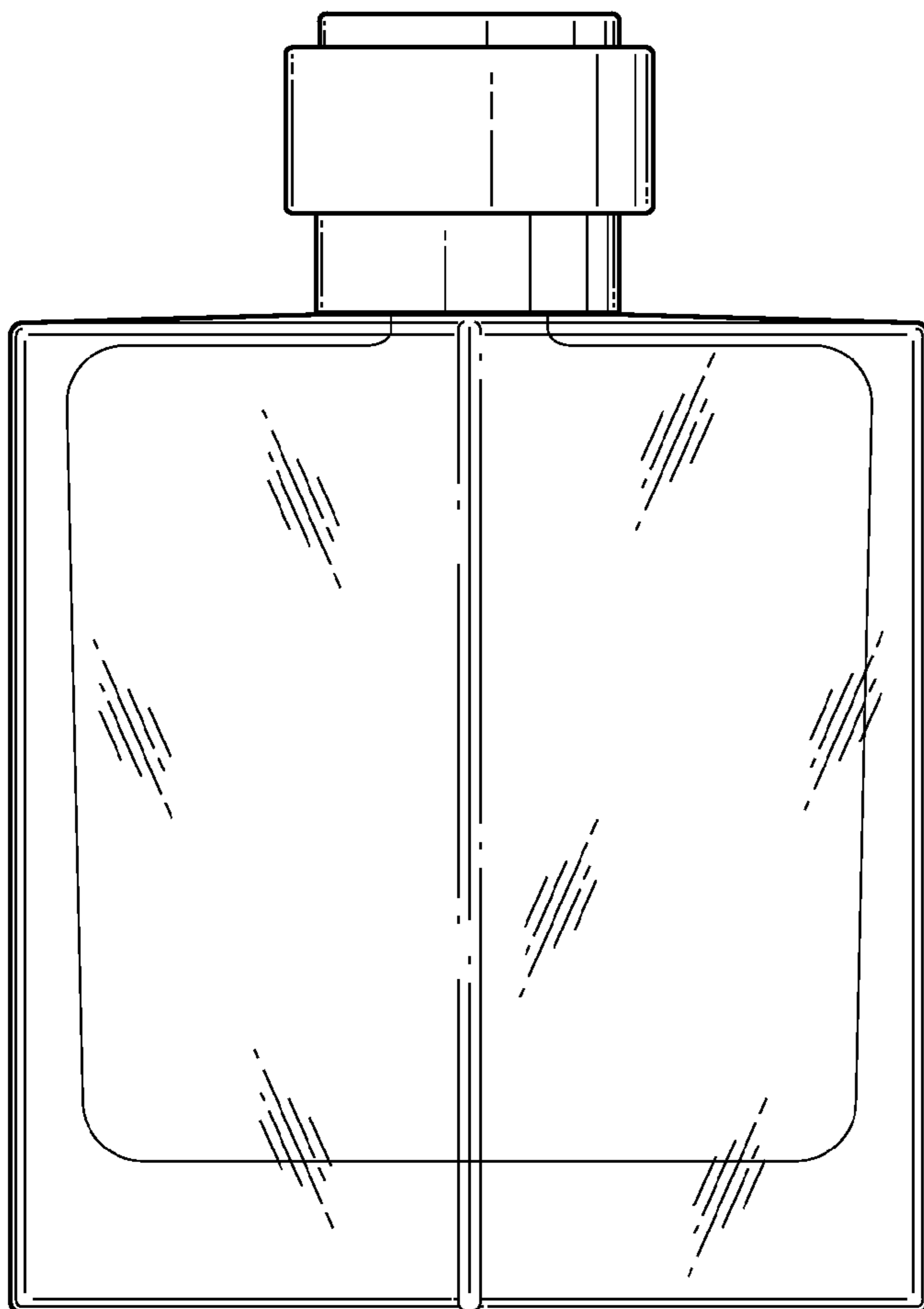


FIG. 2

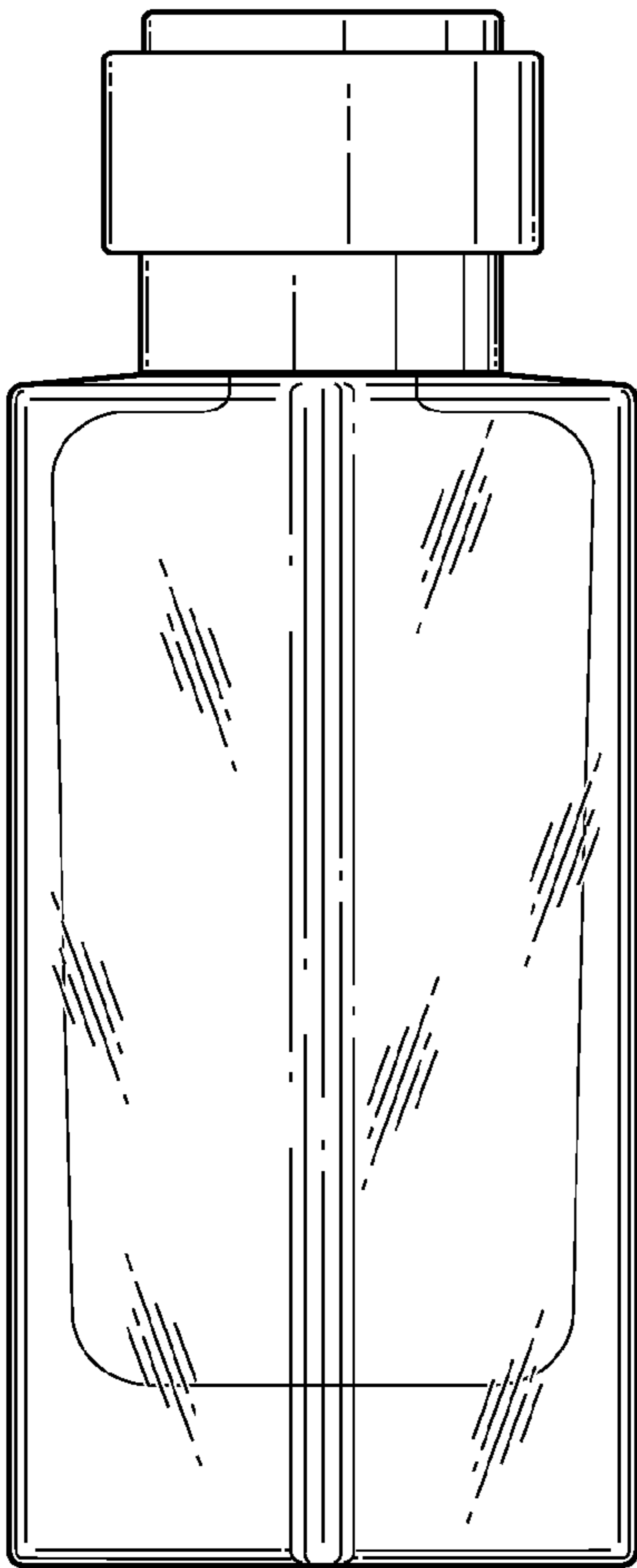


FIG. 3

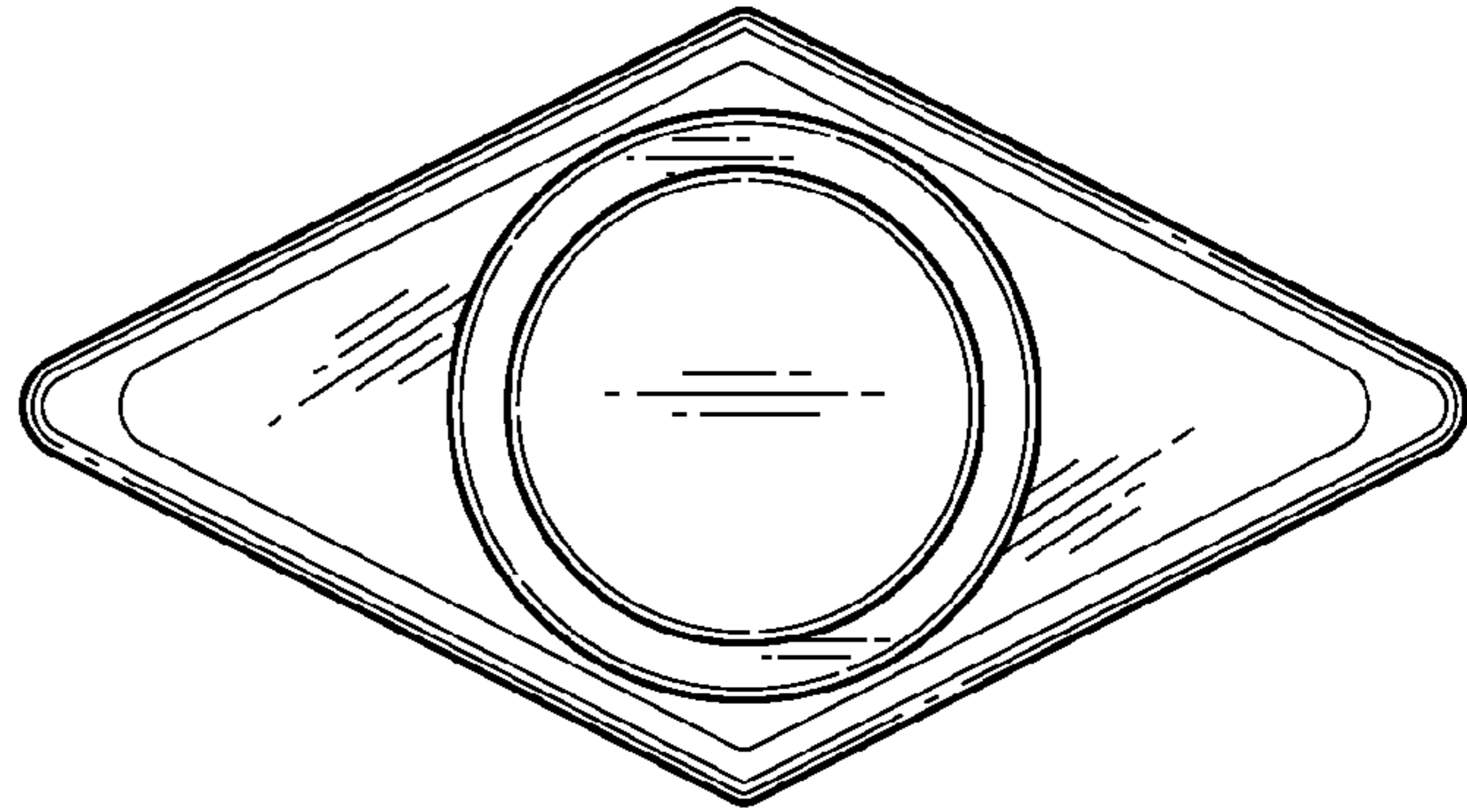


FIG. 4

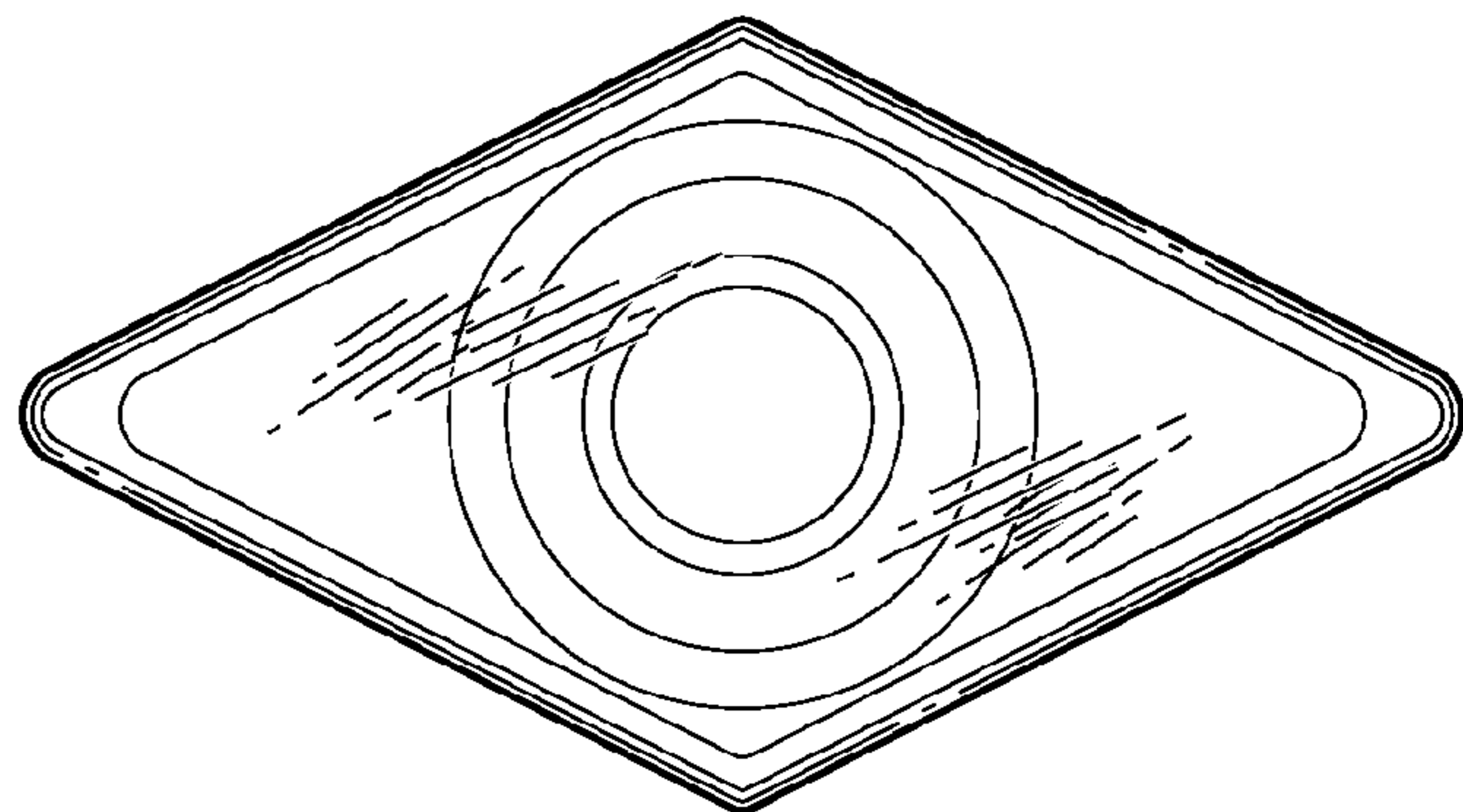


FIG. 5

FIG. 6

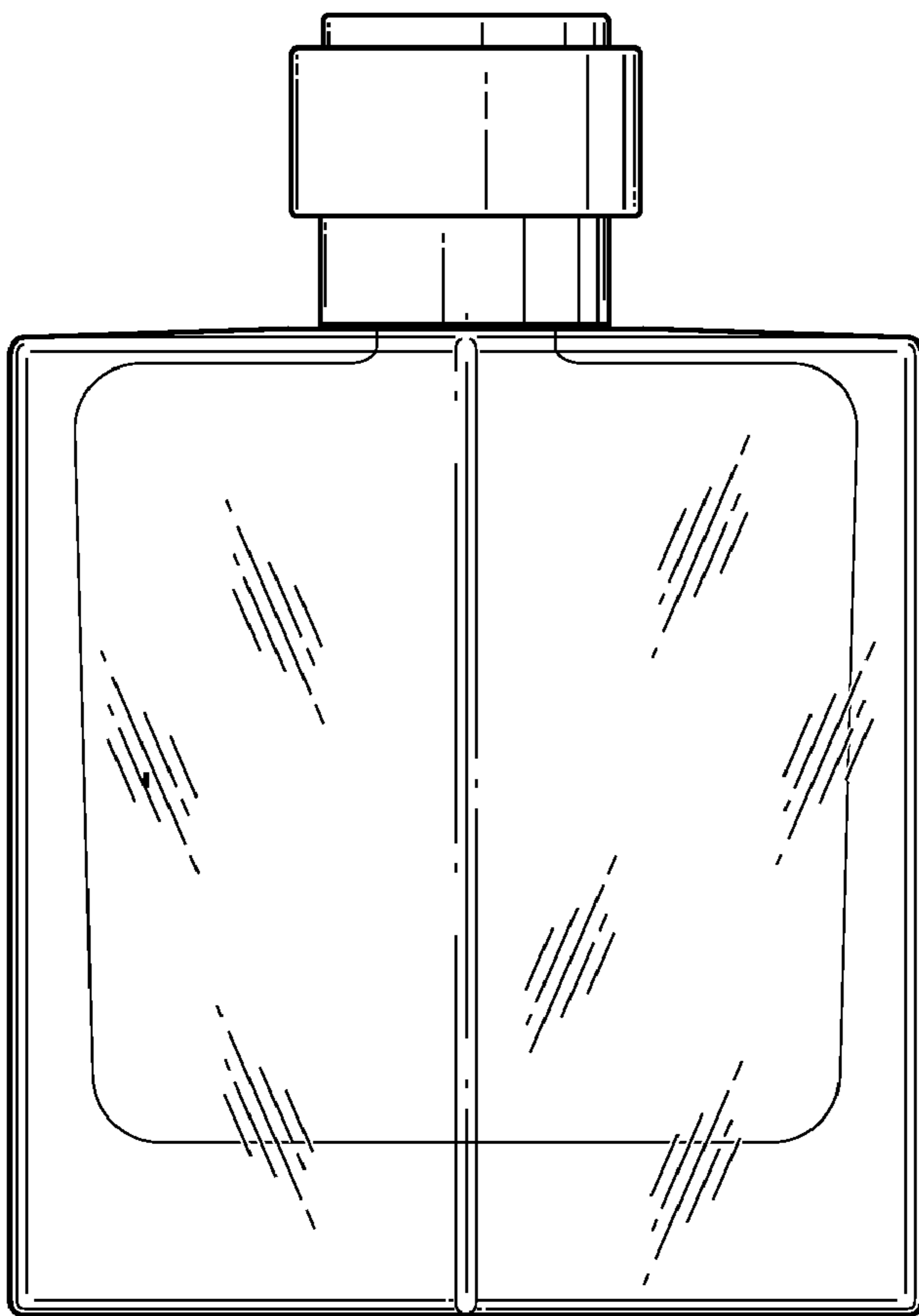
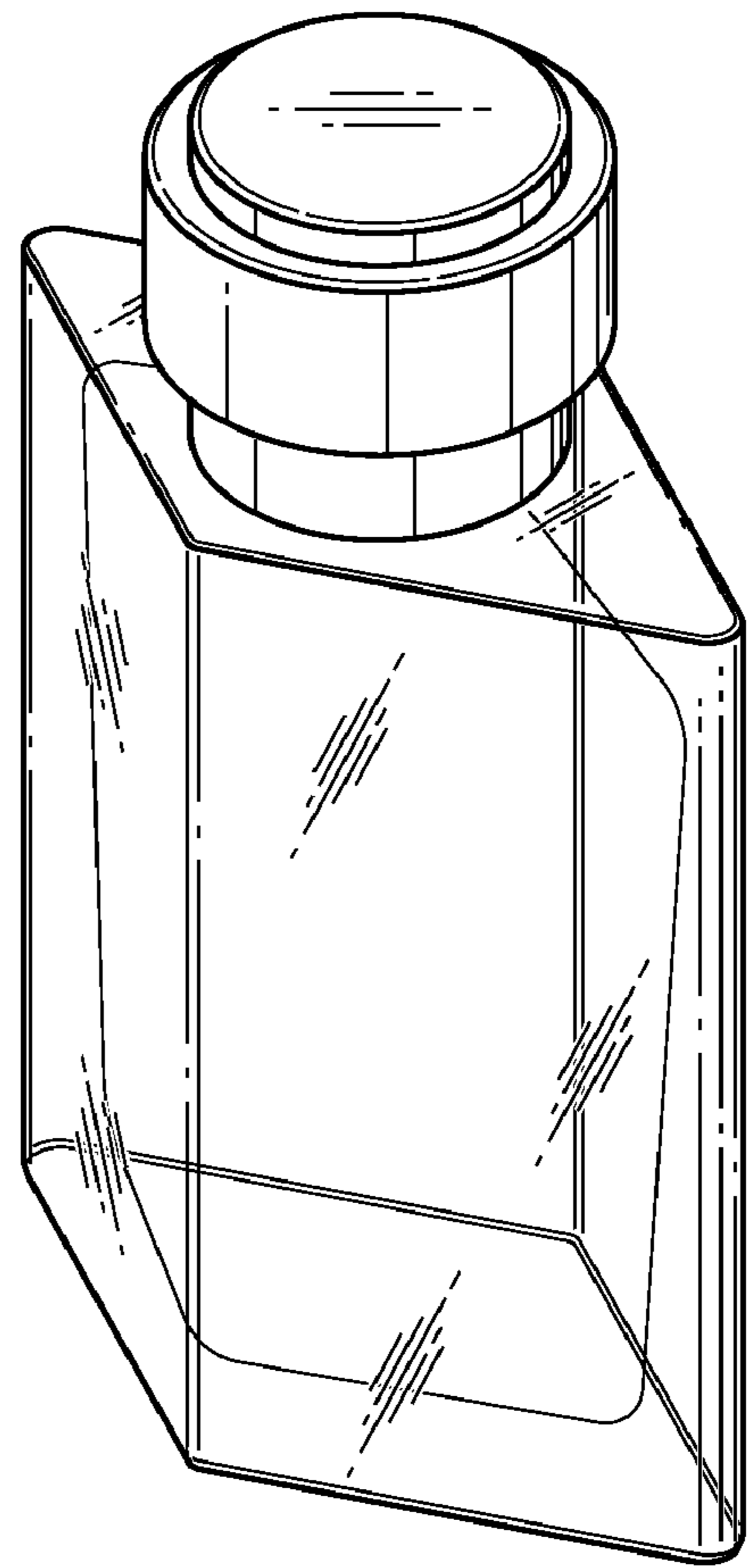


FIG. 7

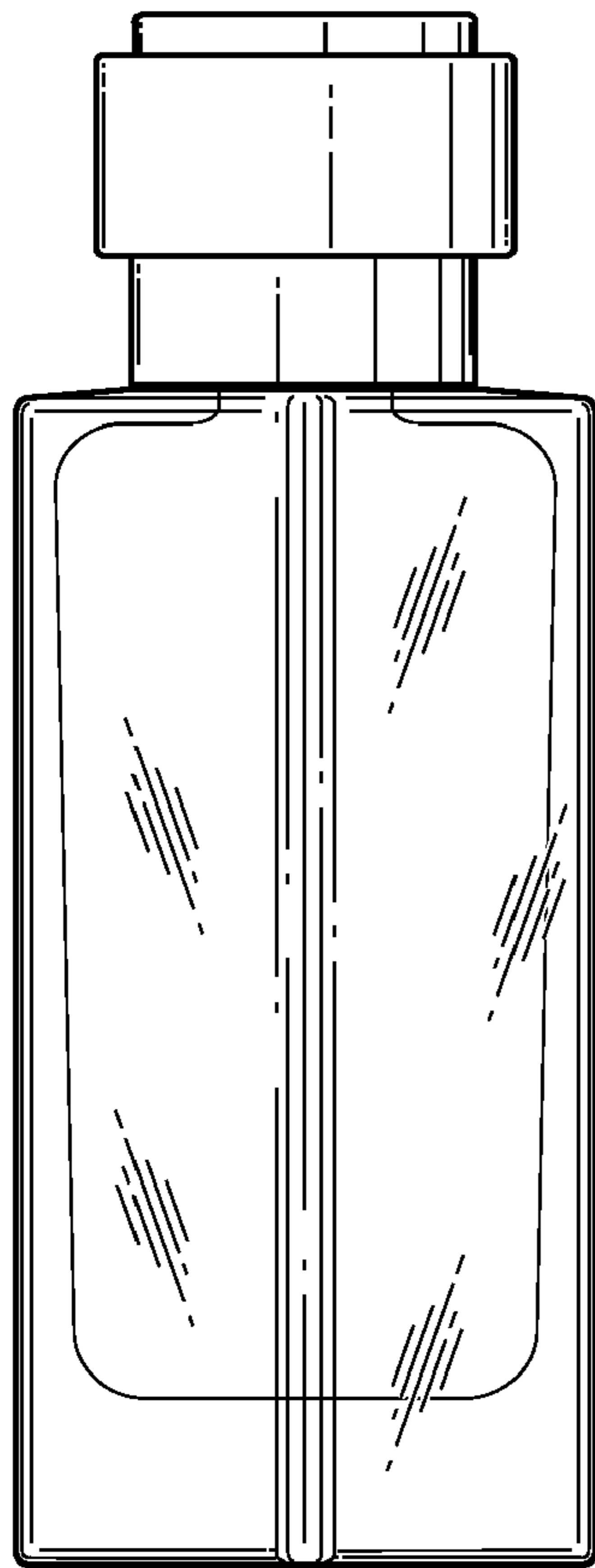


FIG. 8

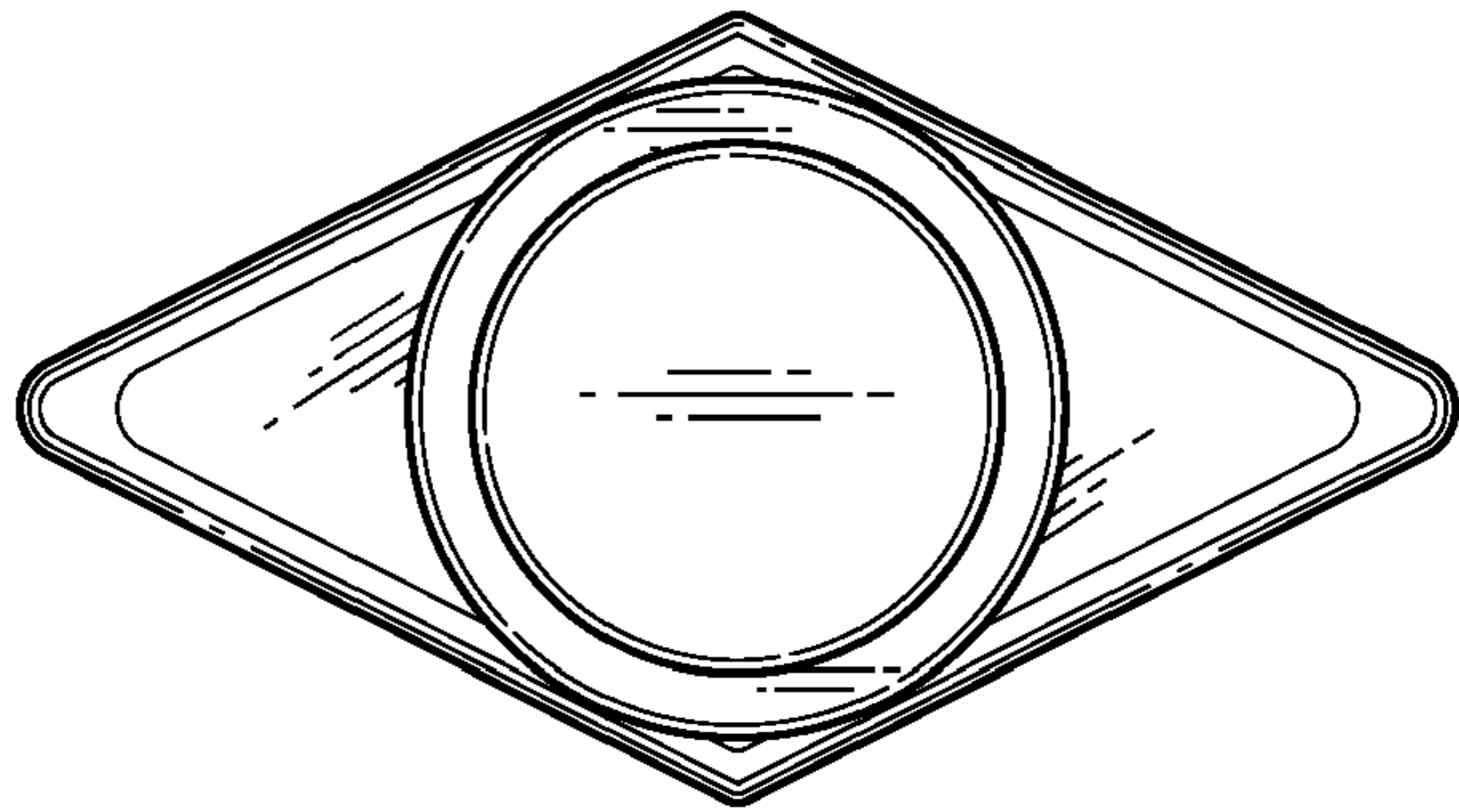


FIG. 9

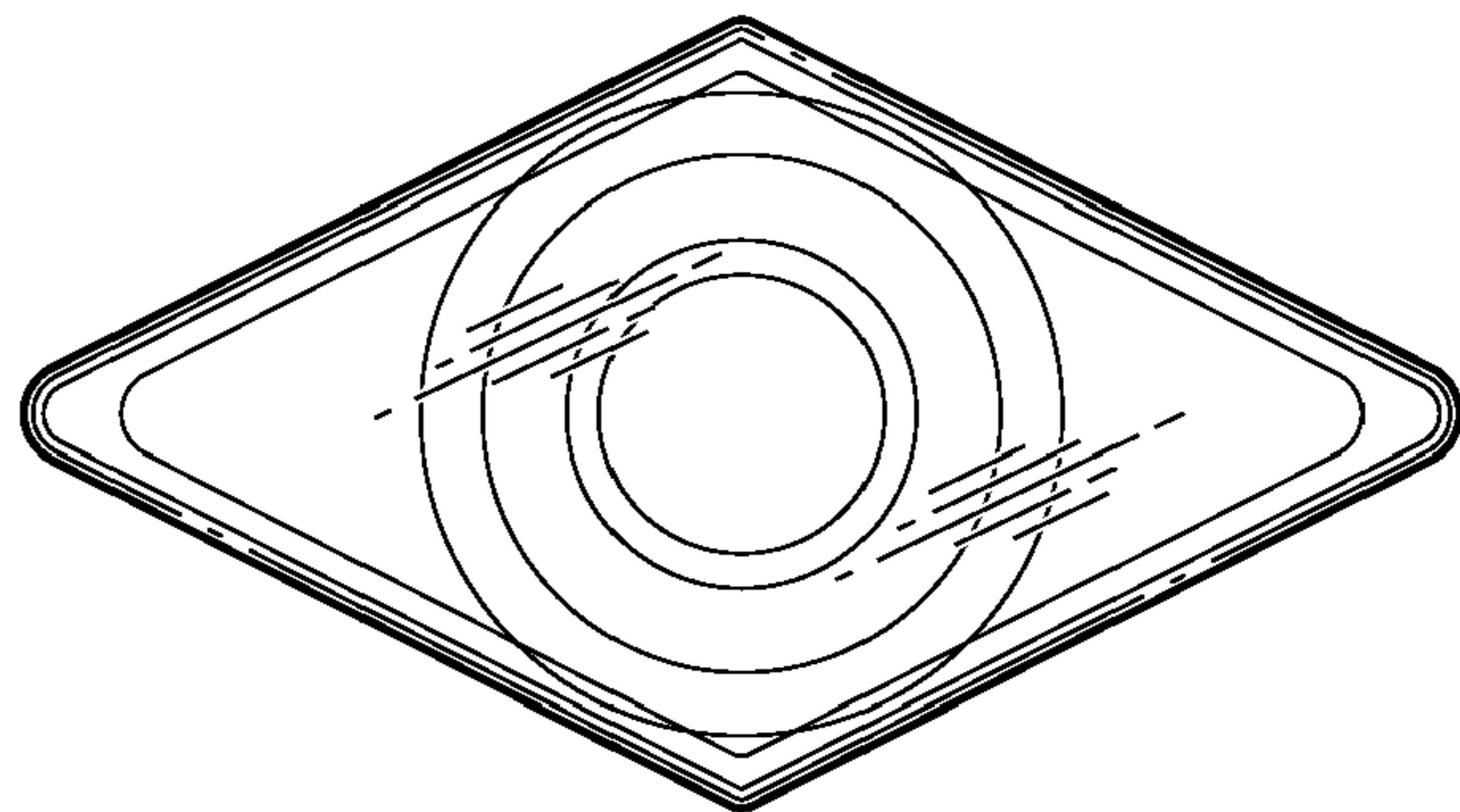


FIG. 10

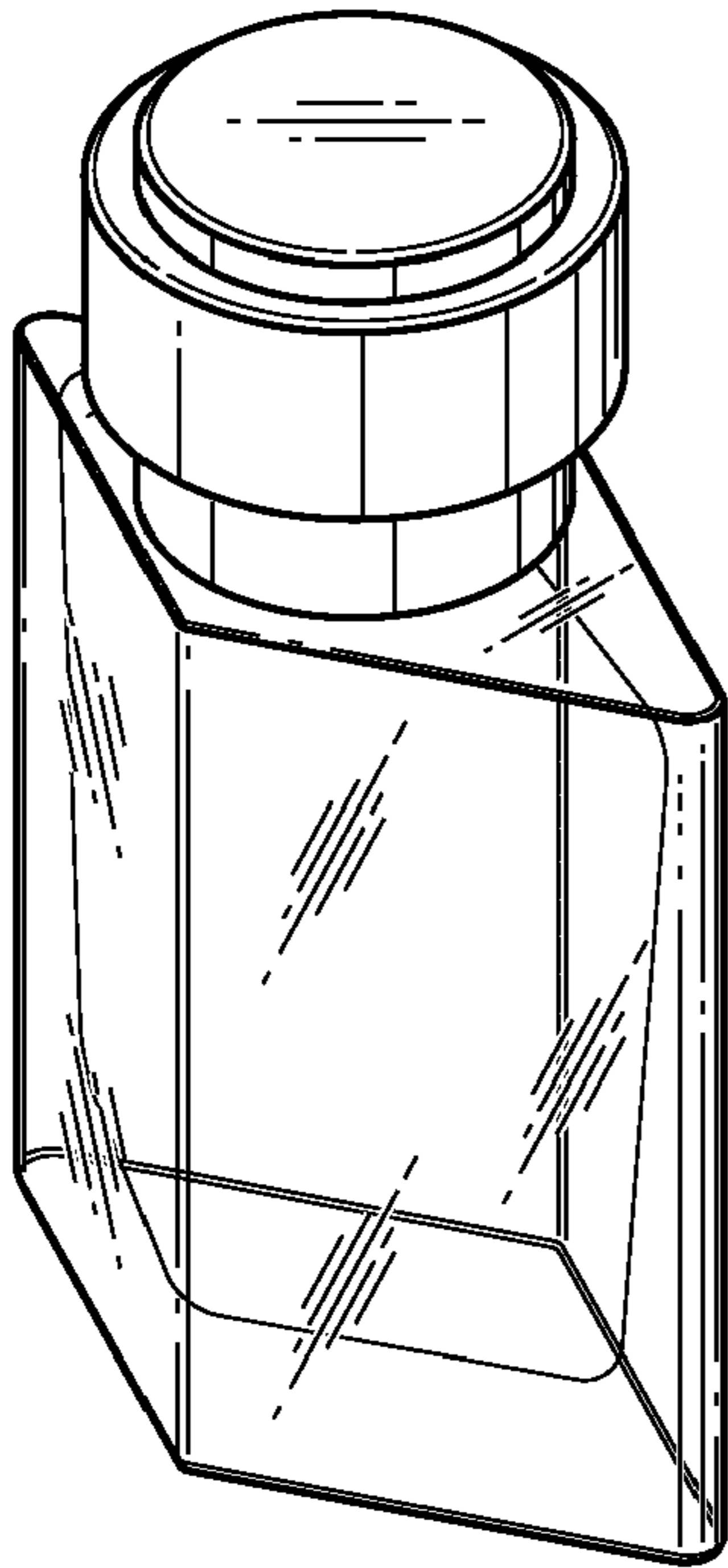


FIG. 11

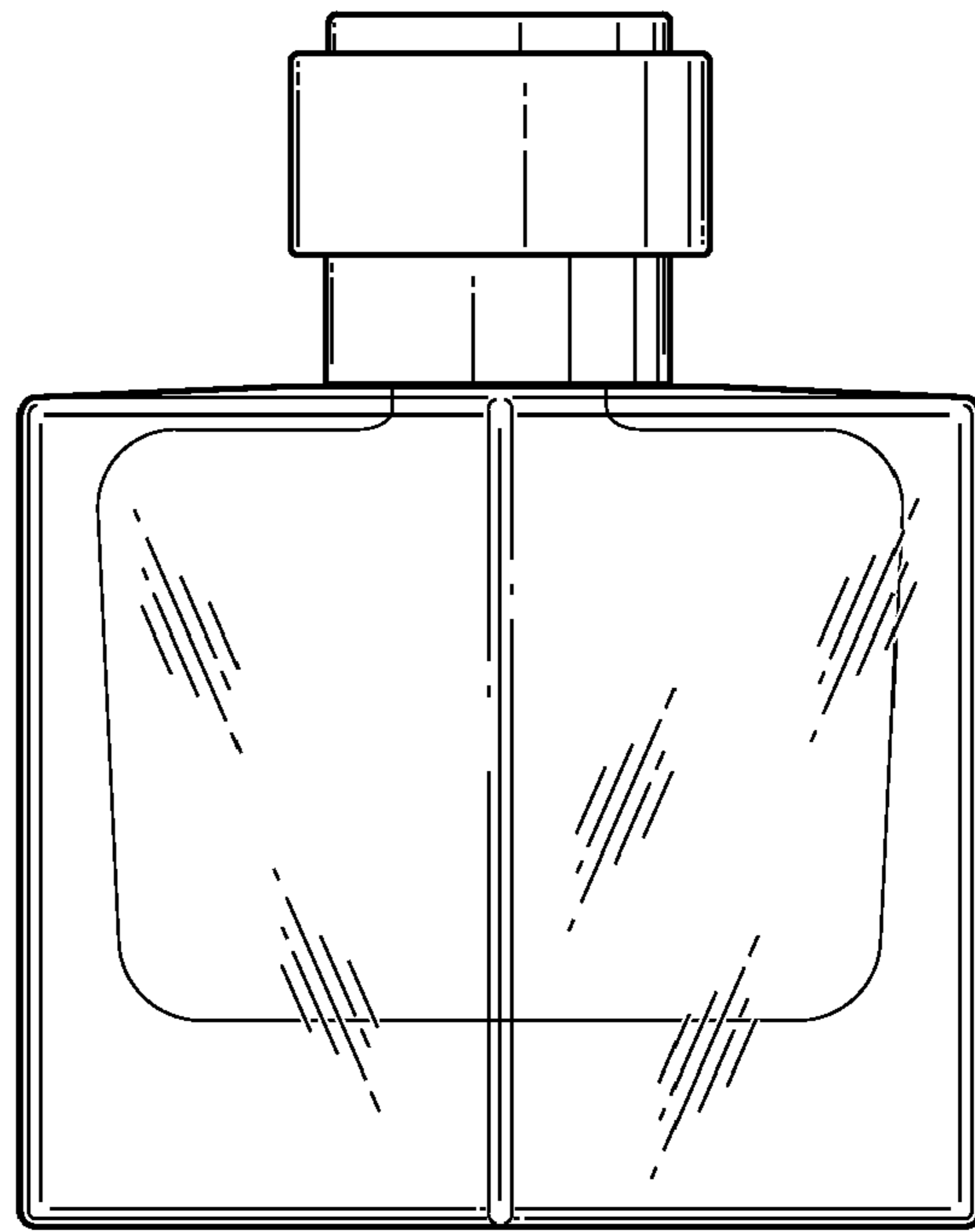


FIG. 12

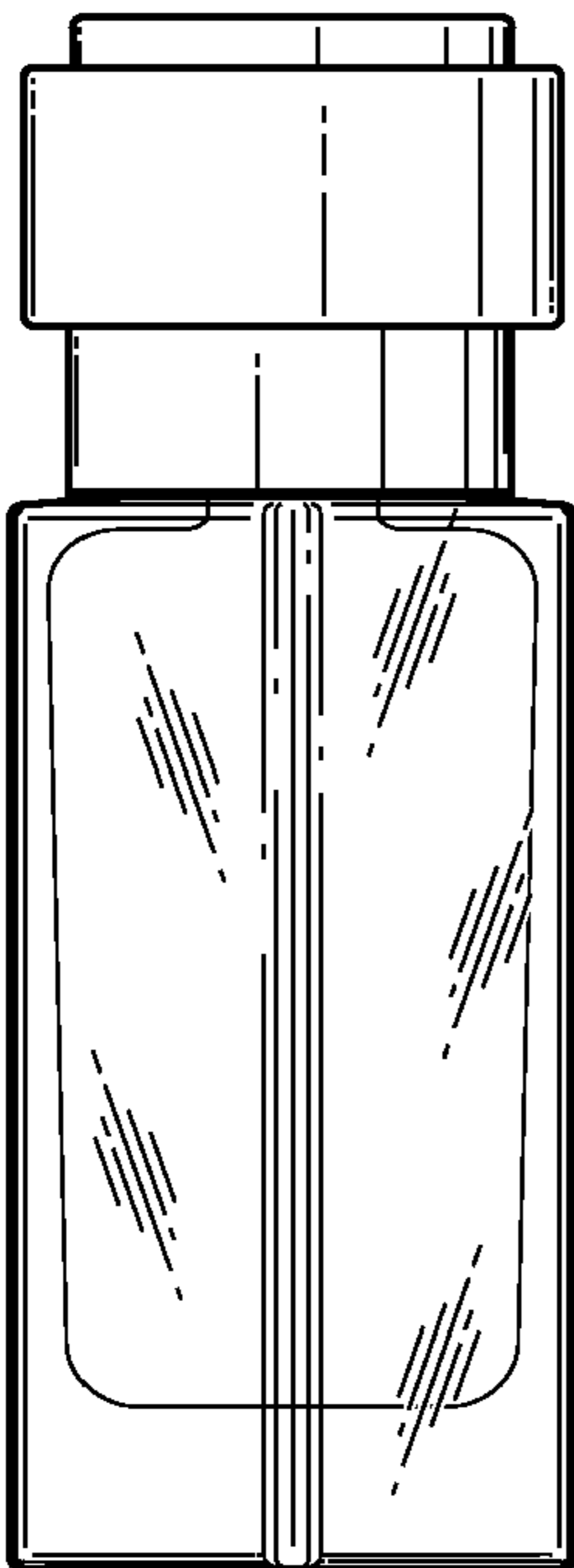


FIG. 13

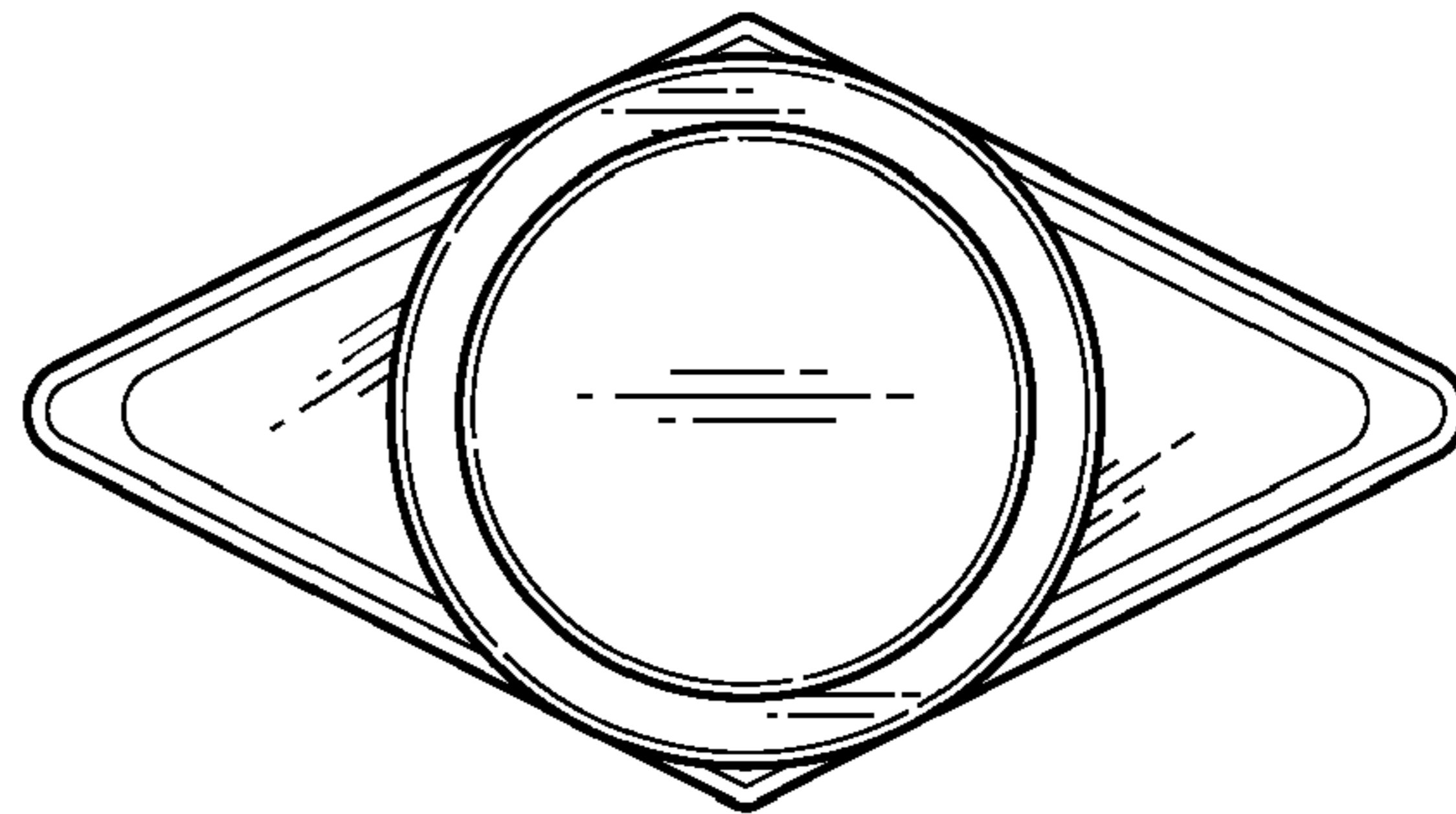


FIG. 14

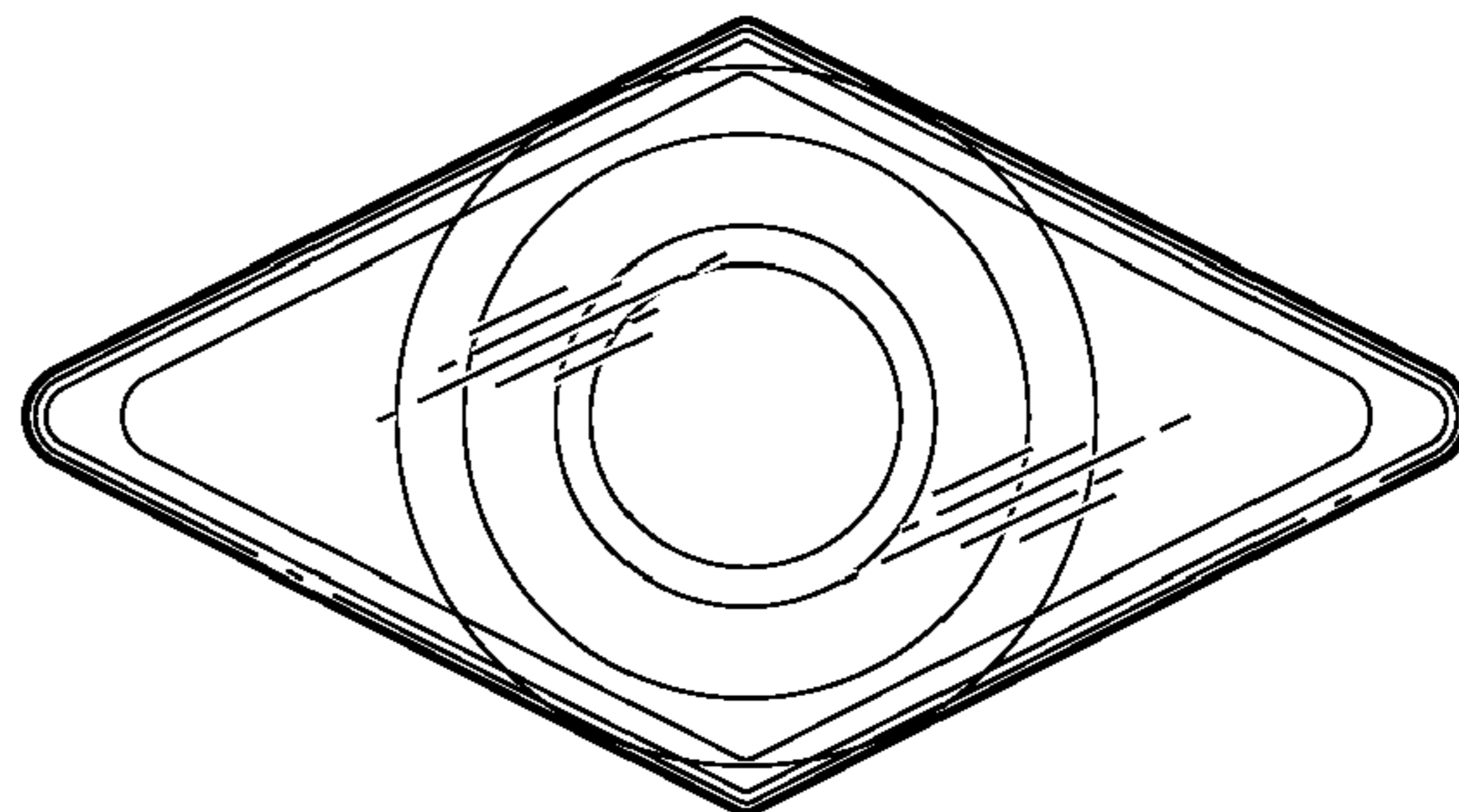


FIG. 15