



US00D607740S

(12) **United States Design Patent**
Eisen

(10) **Patent No.:** **US D607,740 S**
(45) **Date of Patent:** **** Jan. 12, 2010**

(54) **BOTTLE**

(75) Inventor: **Mark Eisen**, Bellmore, NY (US)

(73) Assignee: **Nesie Brands Ltd.**, Port Louis (MU)

(**) Term: **14 Years**

(21) Appl. No.: **29/309,955**

(22) Filed: **Nov. 19, 2008**

(30) **Foreign Application Priority Data**

May 19, 2008 (ZA) A2008/00788

(51) **LOC (9) Cl.** **09-01**

(52) **U.S. Cl.** **D9/546; D9/551**

(58) **Field of Classification Search** D9/516,
D9/688, 690, 692-693, 772-773, 537-546,
D9/549, 551, 554, 564, 567, 571; 215/381-385
See application file for complete search history.

(56) **References Cited**

U.S. PATENT DOCUMENTS

D38,483 S *	3/1907	Robertson	D9/551
D72,873 S *	6/1927	Stewart	D9/551
D117,305 S *	10/1939	Paris	D9/558
D149,394 S *	4/1948	Allen	D9/551 X
D178,223 S *	7/1956	Du Pree	D9/551 X
D180,822 S *	8/1957	Du Pree	D7/598 X
D181,714 S *	12/1957	Du Pree	D9/545 X
D181,715 S *	12/1957	Du Pree	D9/516 X
D379,926 S *	6/1997	Perini et al.	D9/545 X
D449,531 S *	10/2001	Cooley	D9/500

D456,672 S *	5/2002	Bodum	D7/511
D472,474 S *	4/2003	Headen et al.	D9/551
6,827,228 B2 *	12/2004	Headen et al.	215/383
D538,170 S *	3/2007	Venkataraman et al.	..	D9/551 X
D564,883 S *	3/2008	Rica	D9/500 X
D567,665 S *	4/2008	Cheng	D9/538 X
D568,753 S *	5/2008	Woolf	D9/551
D576,043 S *	9/2008	Rica	D9/500 X
2003/0010744 A1 *	1/2003	Ma et al.	215/382

* cited by examiner

Primary Examiner—Carol Rademaker

(74) *Attorney, Agent, or Firm*—Nixon & Vanderhye P.C.

(57) **CLAIM**

The ornamental design for a bottle, as shown and described.

DESCRIPTION

FIG. 1 is a front elevational view of the bottle of the claimed design;

FIG. 2 is a back elevational view thereof;

FIG. 3 is an isometric view thereof;

FIG. 4 is a left side elevational view thereof;

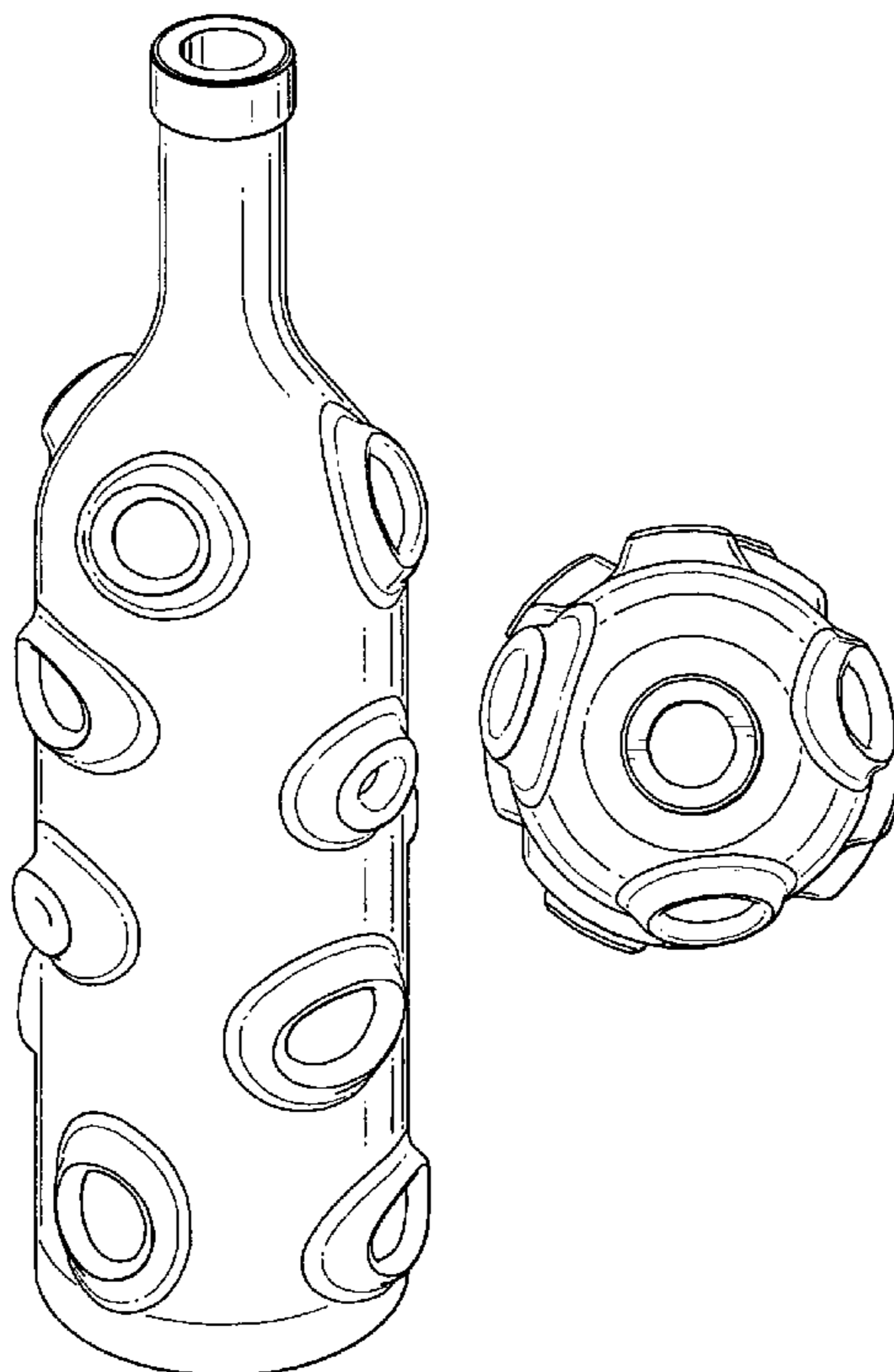
FIG. 5 is a right side elevational view thereof;

FIG. 6 is a top plan view thereof; and,

FIG. 7 is a bottom plan view thereof.

The broken lines shown in the drawings are included for the purpose of illustrating environmental structure that forms no part of the claimed design.

1 Claim, 6 Drawing Sheets



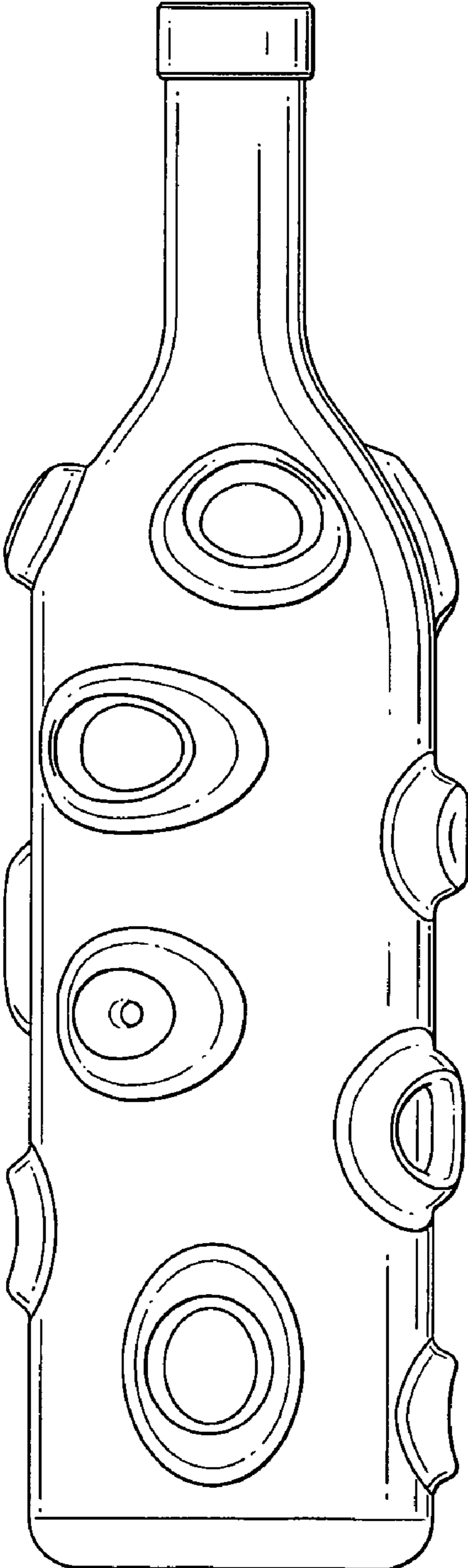


Figure 1

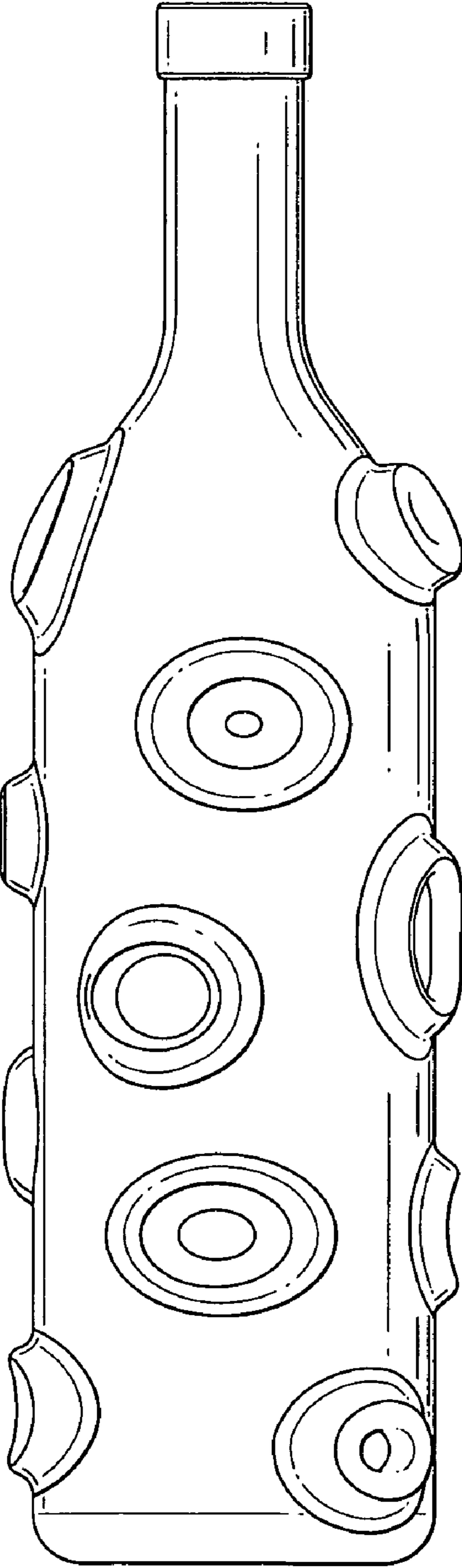


Figure 2

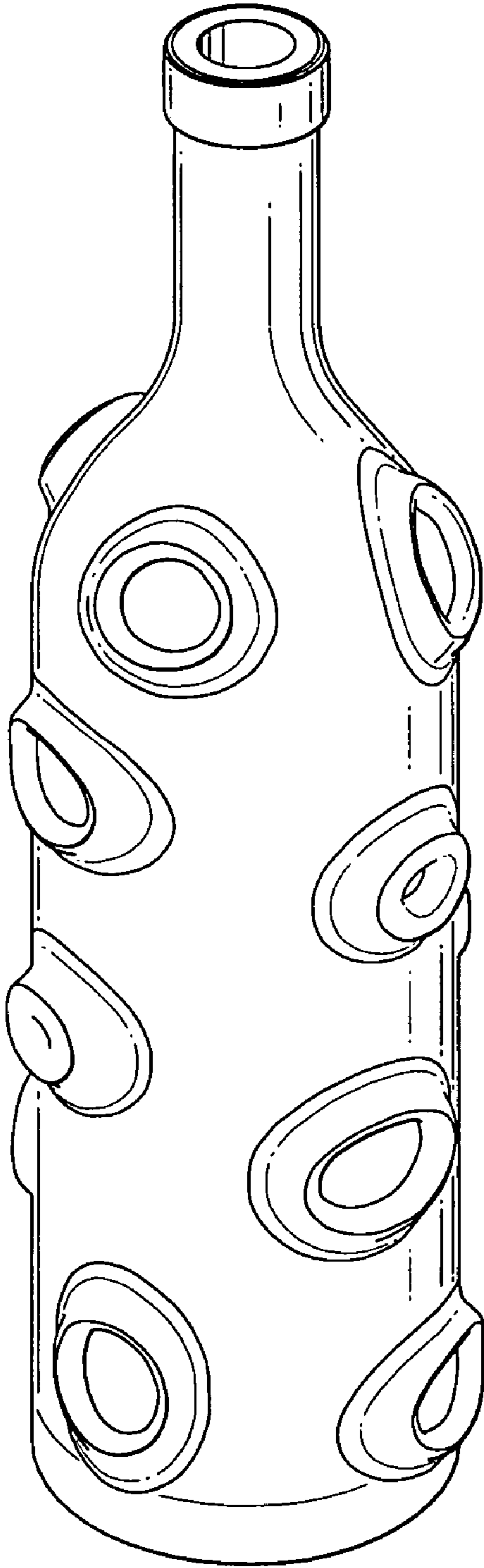


Figure 3

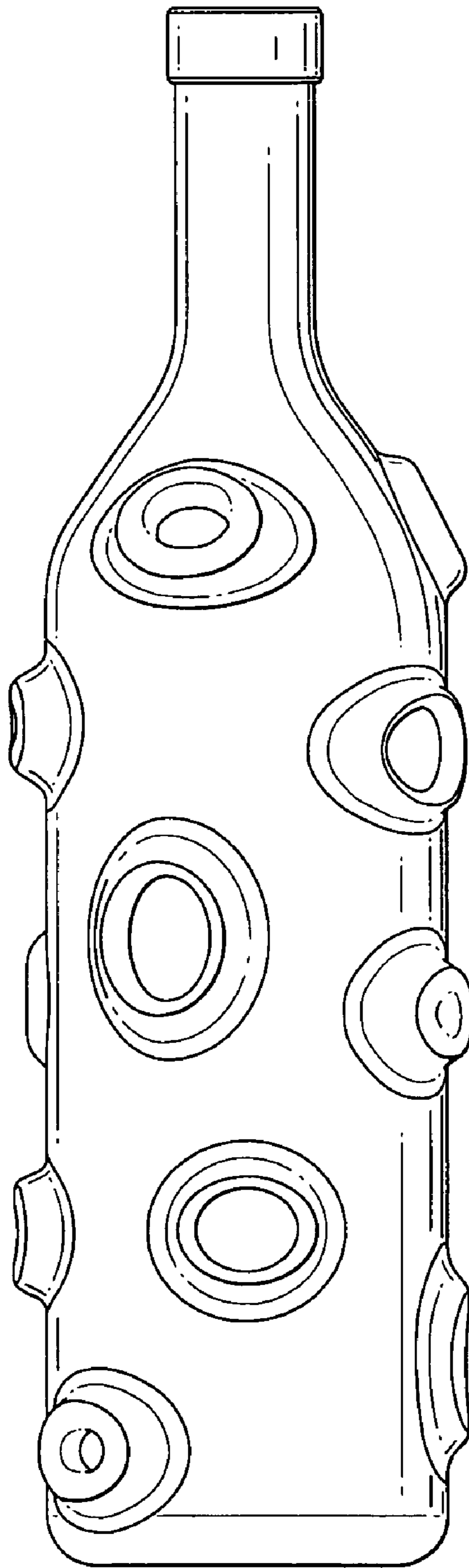


Figure 4

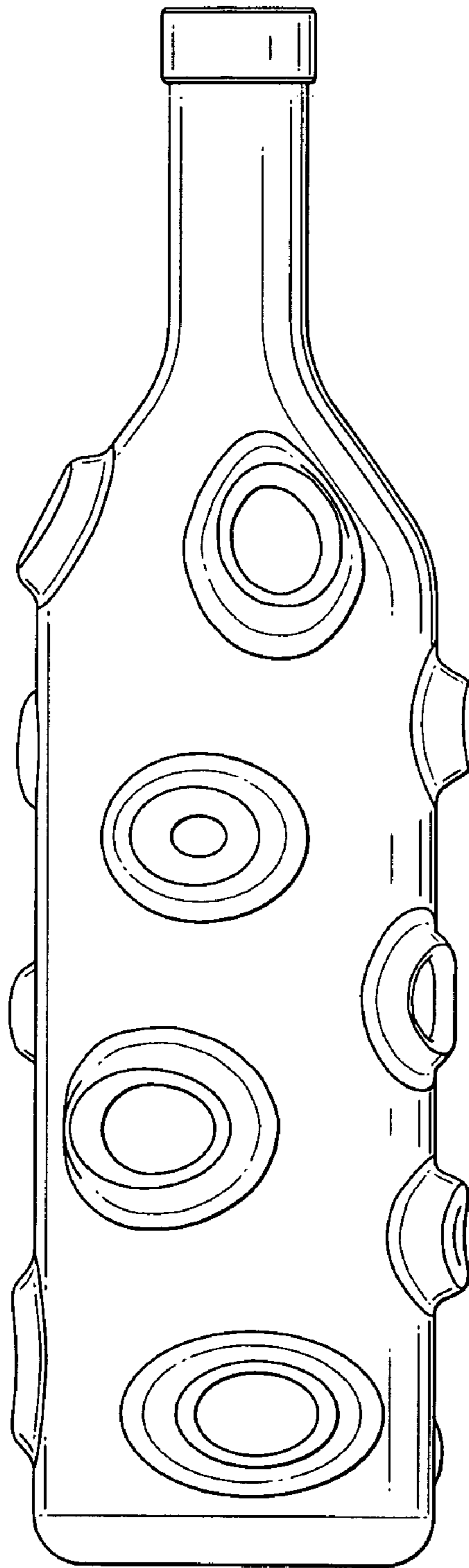


Figure 5

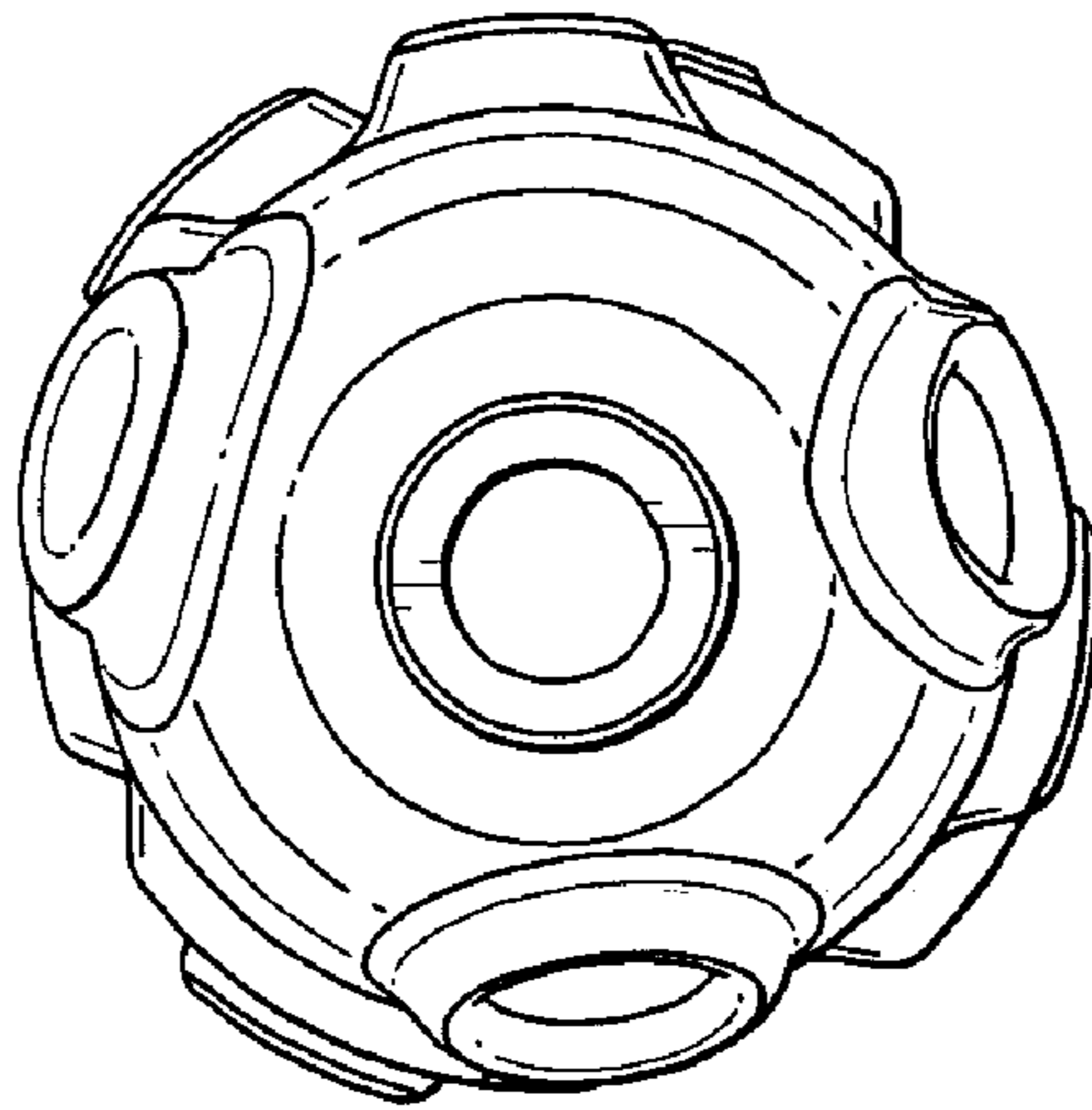


Figure 6

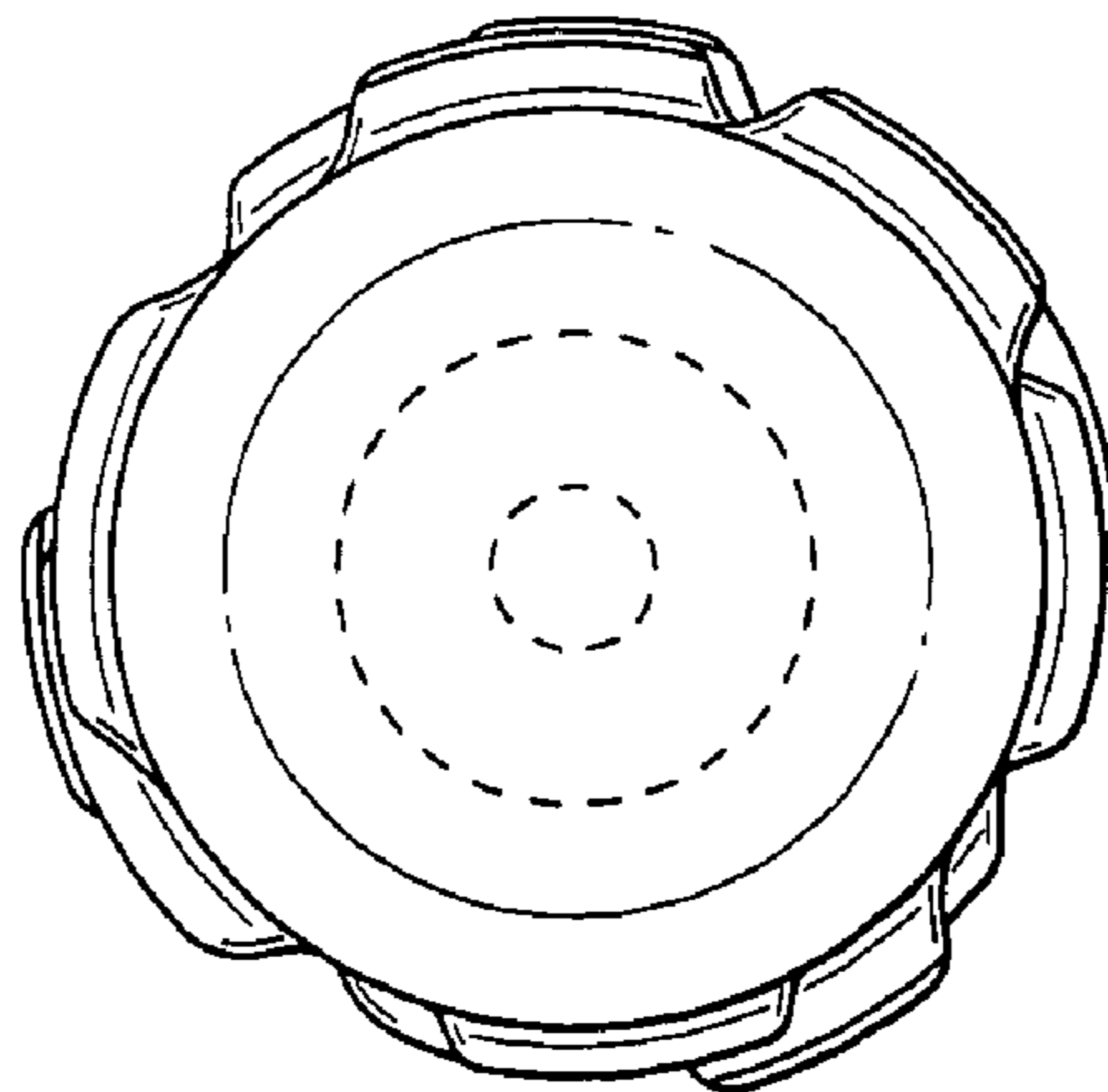


Figure 7