



US00D607739S

(12) **United States Design Patent**
Tikhman et al.

(10) **Patent No.:** **US D607,739 S**

(45) **Date of Patent:** **** Jan. 12, 2010**

(54) **WINE BOTTLE UNIT**

(75) Inventors: **Simon Tikhman**, Hillsborough, CA (US); **Anatoly Tikhman**, Hillsborough, CA (US); **Michael Kappan**, Foster City, CA (US)

(73) Assignee: **Simont Enterprises, LLC**, West Hollywood, CA (US)

(**) Term: **14 Years**

(21) Appl. No.: **29/320,376**

(22) Filed: **Jun. 25, 2008**

(51) **LOC (9) Cl.** **09-01**

(52) **U.S. Cl.** **D9/545; D9/452**

(58) **Field of Classification Search** D9/516, D9/529, 530, 537-540, 544, 546, 549, 550, D9/556, 557, 558, 563, 569, 570, 574, 575, D9/434, 435, 438, 452, 454; 215/381-385

See application file for complete search history.

(56) **References Cited**

U.S. PATENT DOCUMENTS

D52,423 S * 9/1918 Anderson D9/656
D84,234 S * 5/1931 Dolan D9/542
D109,928 S * 5/1938 Williams D9/551

D198,870 S * 8/1964 Elton D9/538
D308,334 S * 6/1990 Gormley et al. D9/549
D322,027 S * 12/1991 Knudsen et al. D9/516
D438,789 S * 3/2001 Choe et al. D9/724
D474,406 S * 5/2003 Kaposi D9/505
D499,338 S * 12/2004 Mulder et al. D9/500
D508,856 S * 8/2005 Boon et al. D9/545
D521,386 S * 5/2006 Priestman D9/529
D576,044 S * 9/2006 Lamb et al. D9/529
D531,902 S * 11/2006 Dolgonos D9/500
D549,103 S * 8/2007 Kuethe et al. D9/538
D564,892 S * 3/2008 di Robilant et al. D9/546
2007/0201220 A1 8/2007 Ulicny

* cited by examiner

Primary Examiner—Stella M Reid
Assistant Examiner—Elizabeth J Oswecki
(74) *Attorney, Agent, or Firm*—Joe Zheng

(57) **CLAIM**

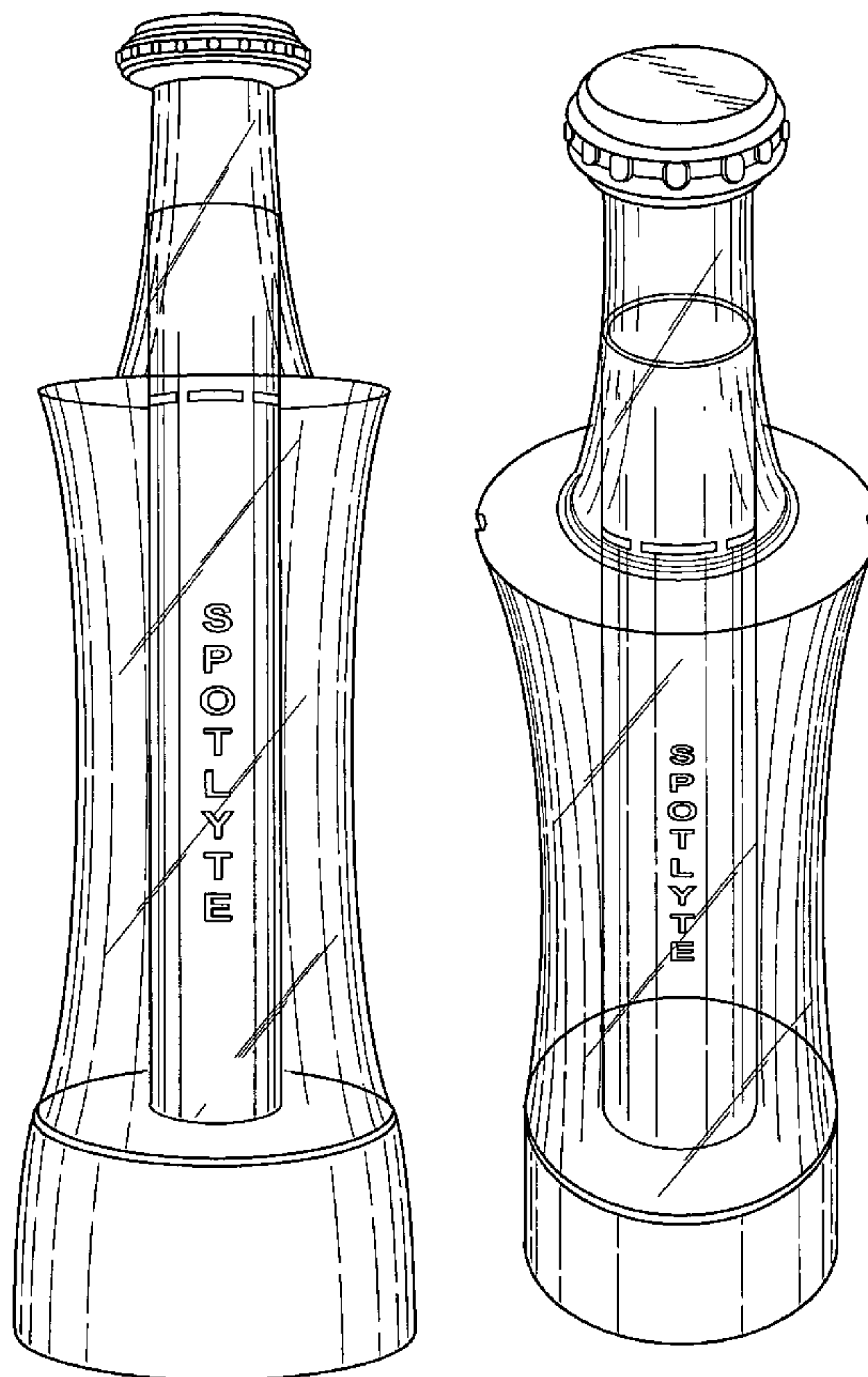
The ornamental design for a wine bottle unit, as shown and described.

DESCRIPTION

FIG. 1 is a front, perspective view of a wine bottle unit showing our new design; and,

FIG. 2 is another perspective view thereof.

1 Claim, 2 Drawing Sheets



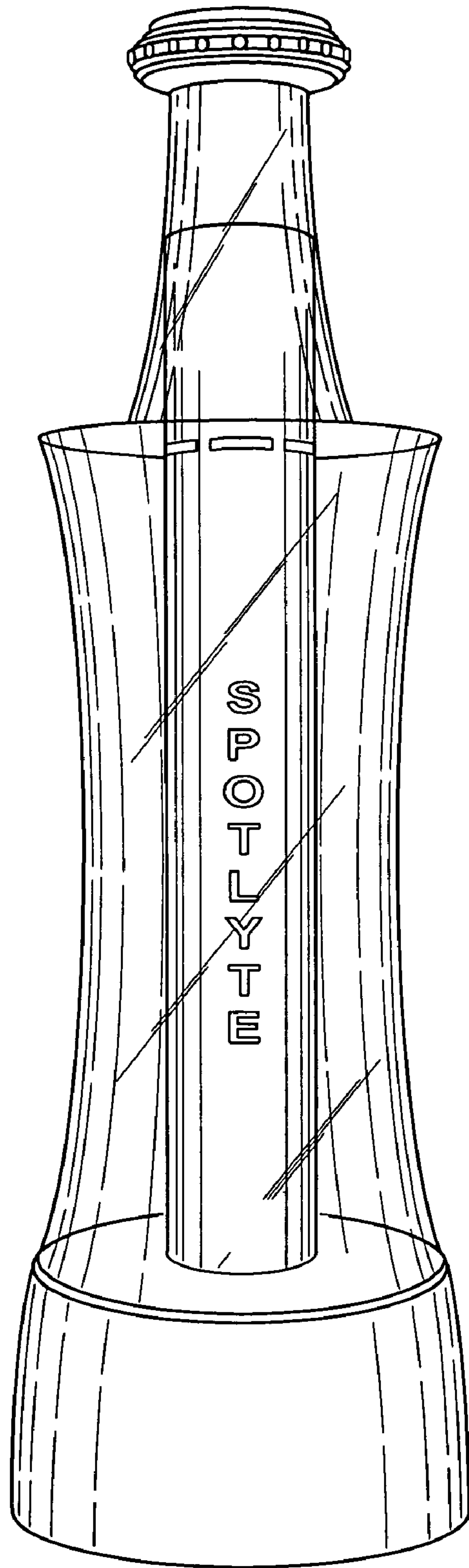


Fig. 1

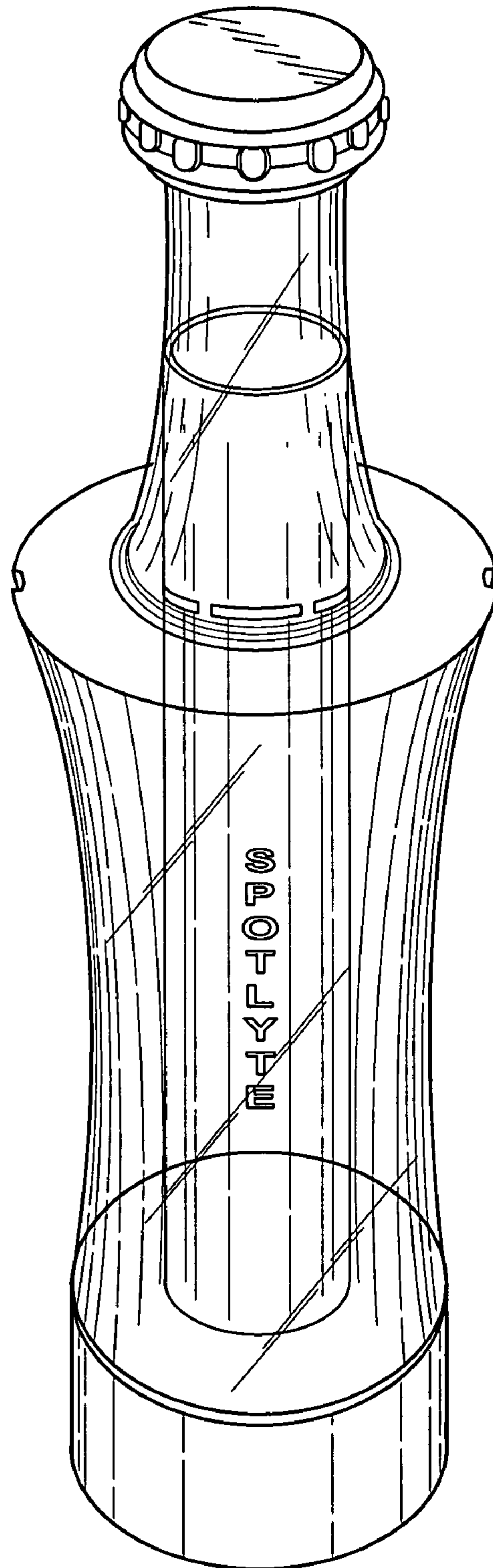


Fig. 2