



US00D607737S

(12) **United States Design Patent**
MacCarthy

(10) **Patent No.:** **US D607,737 S**
(45) **Date of Patent:** **** Jan. 12, 2010**

(54) **BOTTLE**

(75) Inventor: **Joseph Michael MacCarthy**, Oakland, CA (US)

(73) Assignee: **Vi-Jon, Inc.**, St. Louis, MO (US)

(**) Term: **14 Years**

(21) Appl. No.: **29/318,273**

(22) Filed: **May 16, 2008**

(51) **LOC (9) Cl.** **09-01**

(52) **U.S. Cl.** **D9/542; D9/571; D9/574**

(58) **Field of Classification Search** D9/516,
D9/530, 542, 544, 560, 563, 571, 572, 573,
D9/574; 215/381-385; 220/669, 675
See application file for complete search history.

(56) **References Cited**

U.S. PATENT DOCUMENTS

D40,666 S *	4/1910	Hoff	D9/563
D91,363 S *	1/1934	McPhee	D9/563
D93,356 S *	9/1934	Nottebaum	D9/574
D94,198 S *	1/1935	Fuerst	D9/571
D102,859 S *	1/1937	Funkey	D9/563
D180,828 S *	8/1957	Funkey	D9/571
D200,262 S *	2/1965	Heintze	D9/571
D220,870 S *	6/1971	Muscattello	D9/529
D276,501 S *	11/1984	Pardo	D9/571
D279,454 S *	7/1985	Fleming	D9/529
D279,455 S *	7/1985	Fleming	D9/574
D339,291 S *	9/1993	Leigner	D9/520
D356,038 S	3/1995	Biesecker		
D369,558 S	5/1996	Heinz		
D373,537 S	9/1996	Schirado		

D375,052 S	10/1996	Lathrop et al.		
D379,312 S *	5/1997	Crawford	D9/557
D423,935 S *	5/2000	Frazer		
D441,298 S	5/2001	Gundlach et al.		
D458,146 S	6/2002	Sadeghi et al.		
D486,739 S	2/2004	Taylor et al.		
6,997,336 B2	2/2006	Yourist et al.		
D531,913 S *	11/2006	Heisner et al.	D9/560
D539,651 S *	4/2007	Snyder	D9/520
D558,583 S *	1/2008	Langbein et al.	D9/560
D584,953 S *	1/2009	Rica	D9/544
D590,721 S *	4/2009	Martinez		
		De San Vicente	D9/571

* cited by examiner

Primary Examiner—Stella M Reid

Assistant Examiner—Elizabeth J Oswecki

(74) *Attorney, Agent, or Firm*—Armstrong Teasdale LLP

(57) **CLAIM**

I claim the ornamental design for a bottle, as shown and described.

DESCRIPTION

FIG. 1 is a perspective view of a bottle showing my new design;

FIG. 2 is a front view thereof;

FIG. 3 is a rear view thereof;

FIG. 4 is right side view thereof;

FIG. 5 is a left side view thereof;

FIG. 6 is a top view thereof; and,

FIG. 7 is a bottom view thereof.

1 Claim, 4 Drawing Sheets

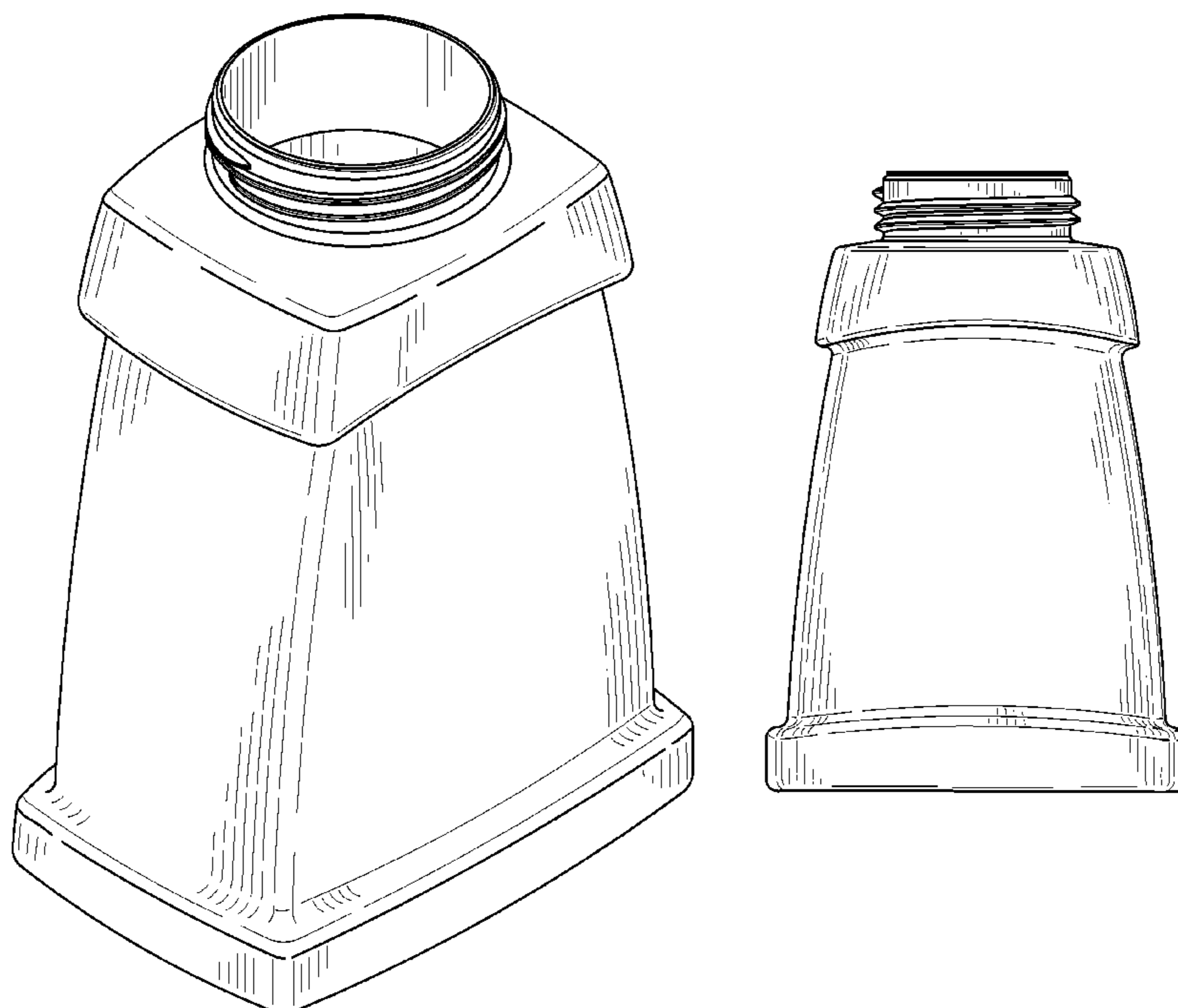
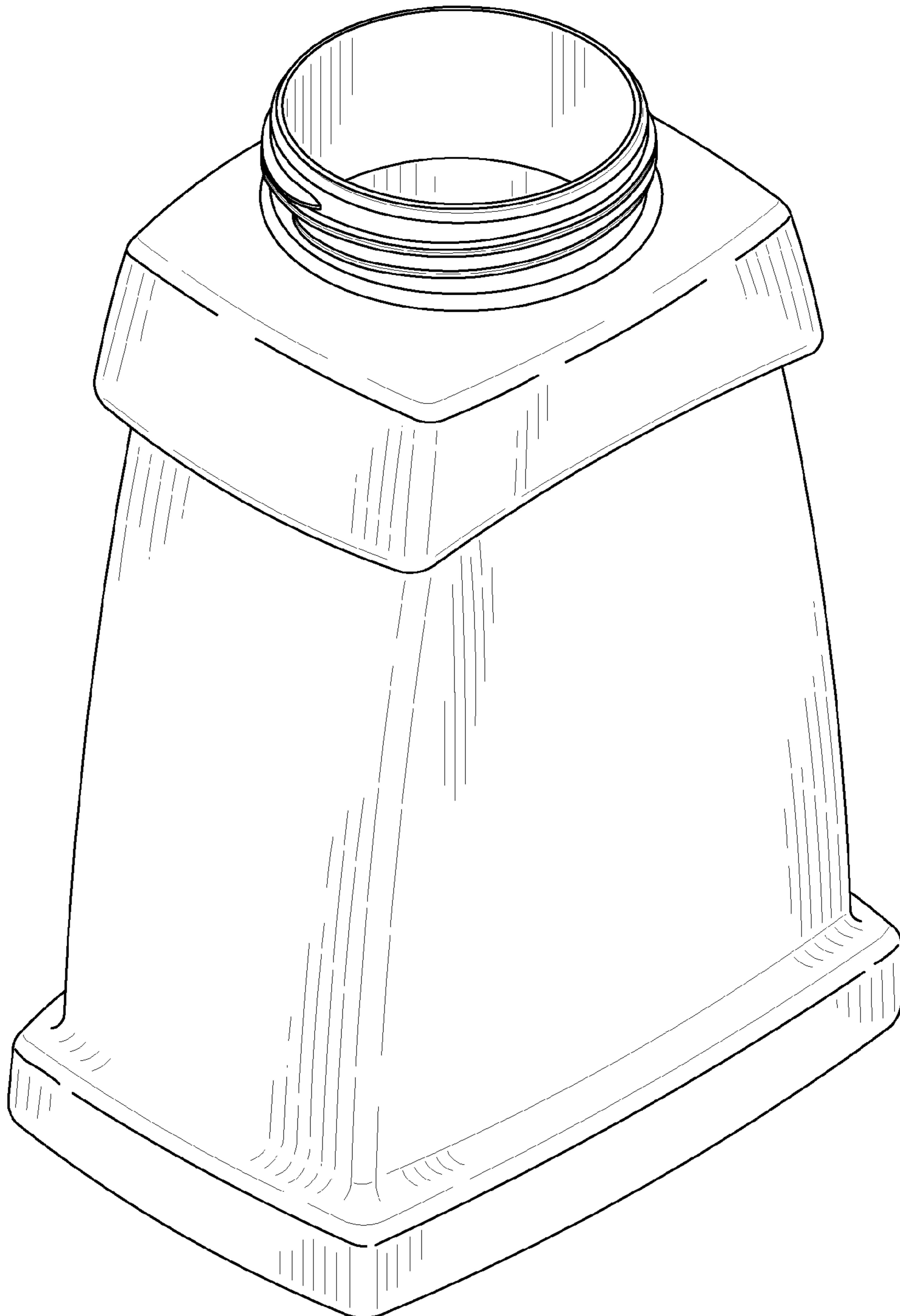


FIG. 1



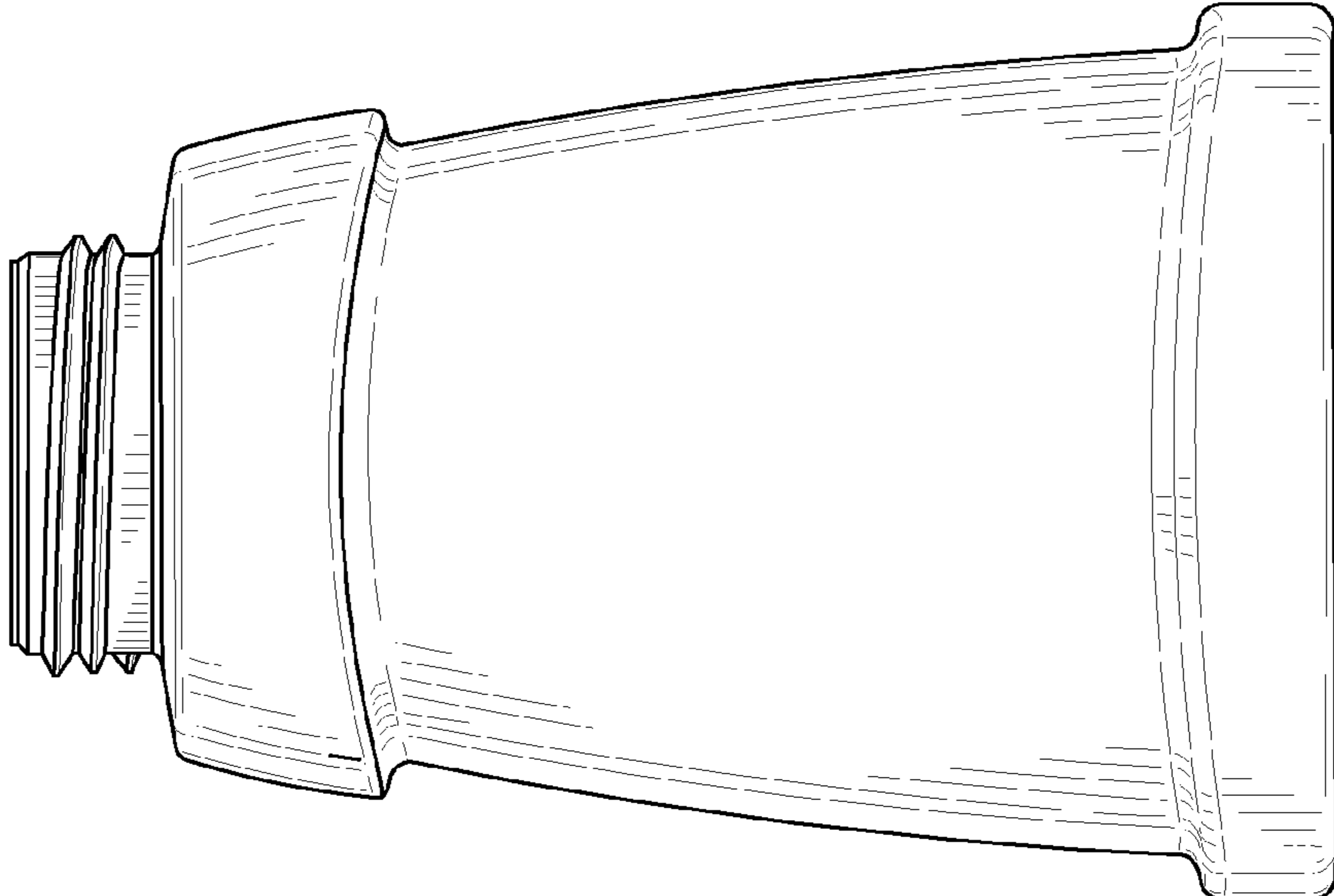


FIG. 3

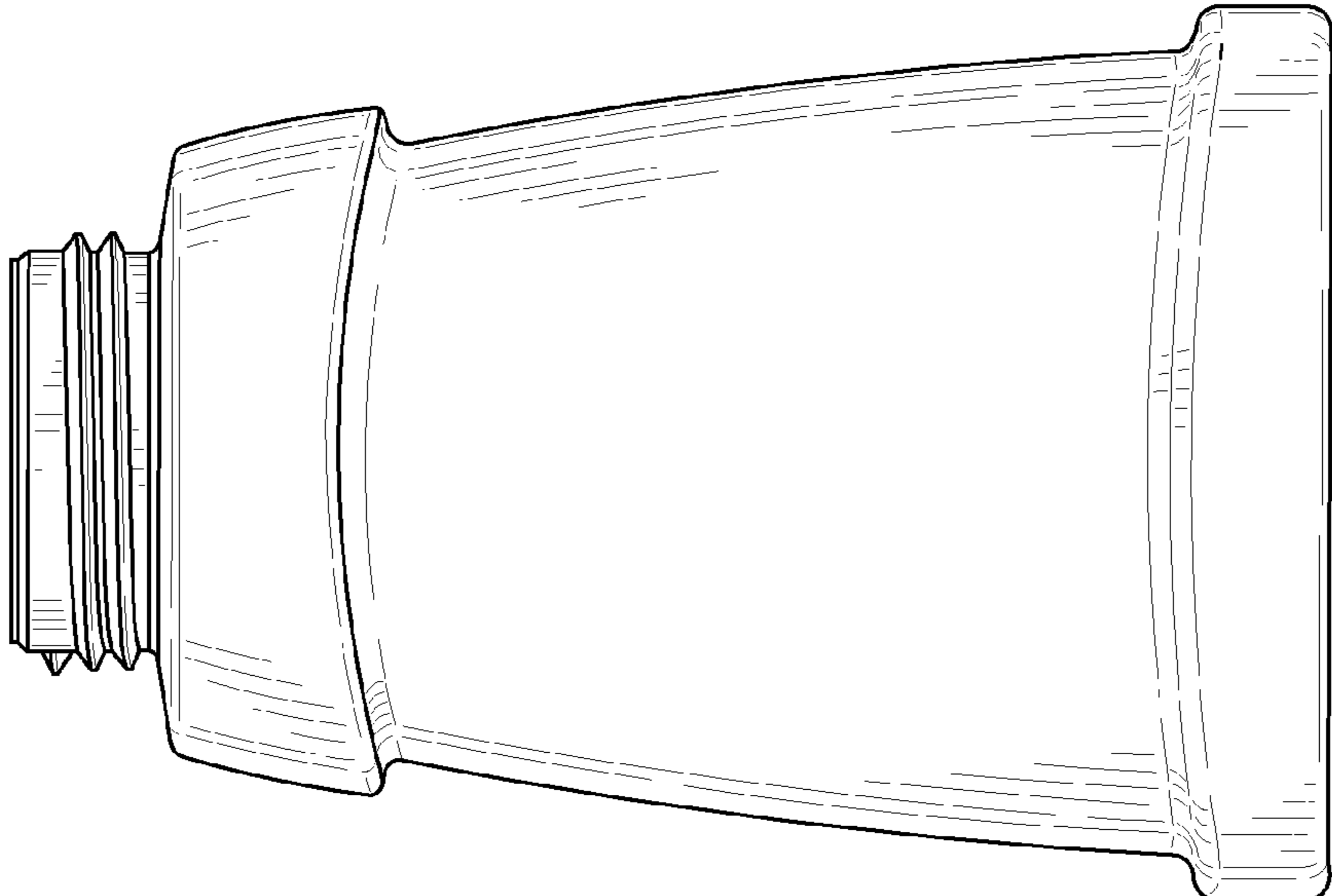


FIG. 2

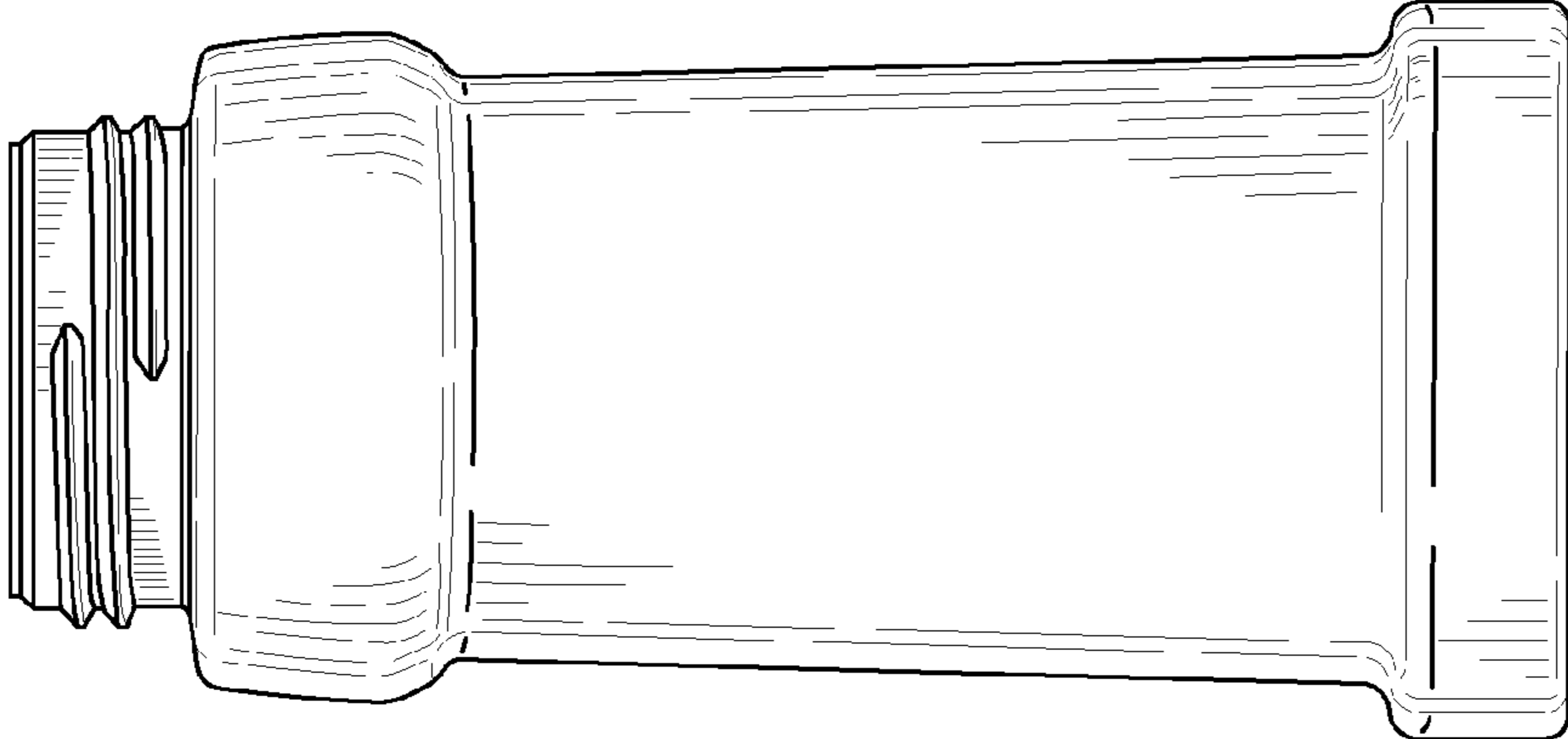


FIG. 5

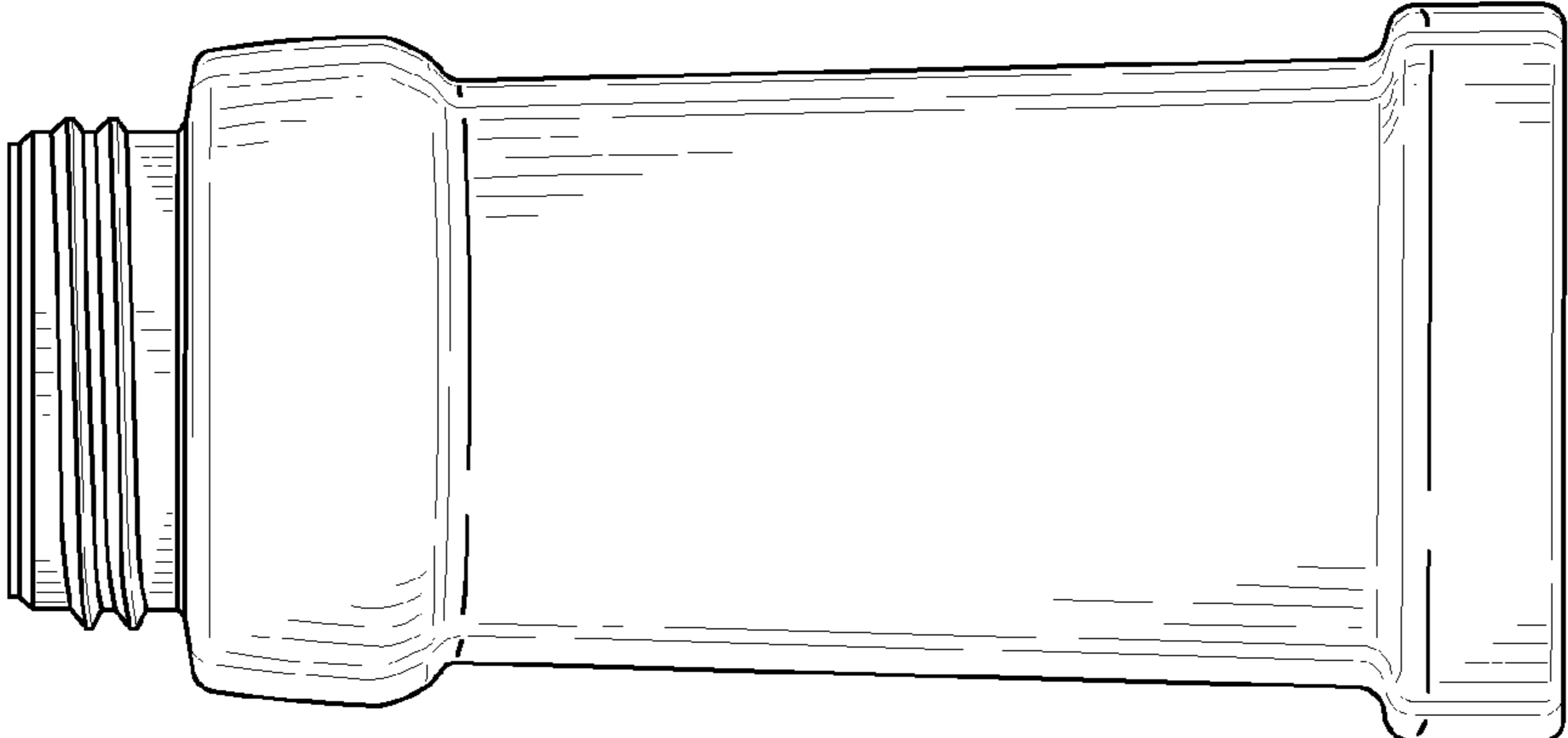


FIG. 4

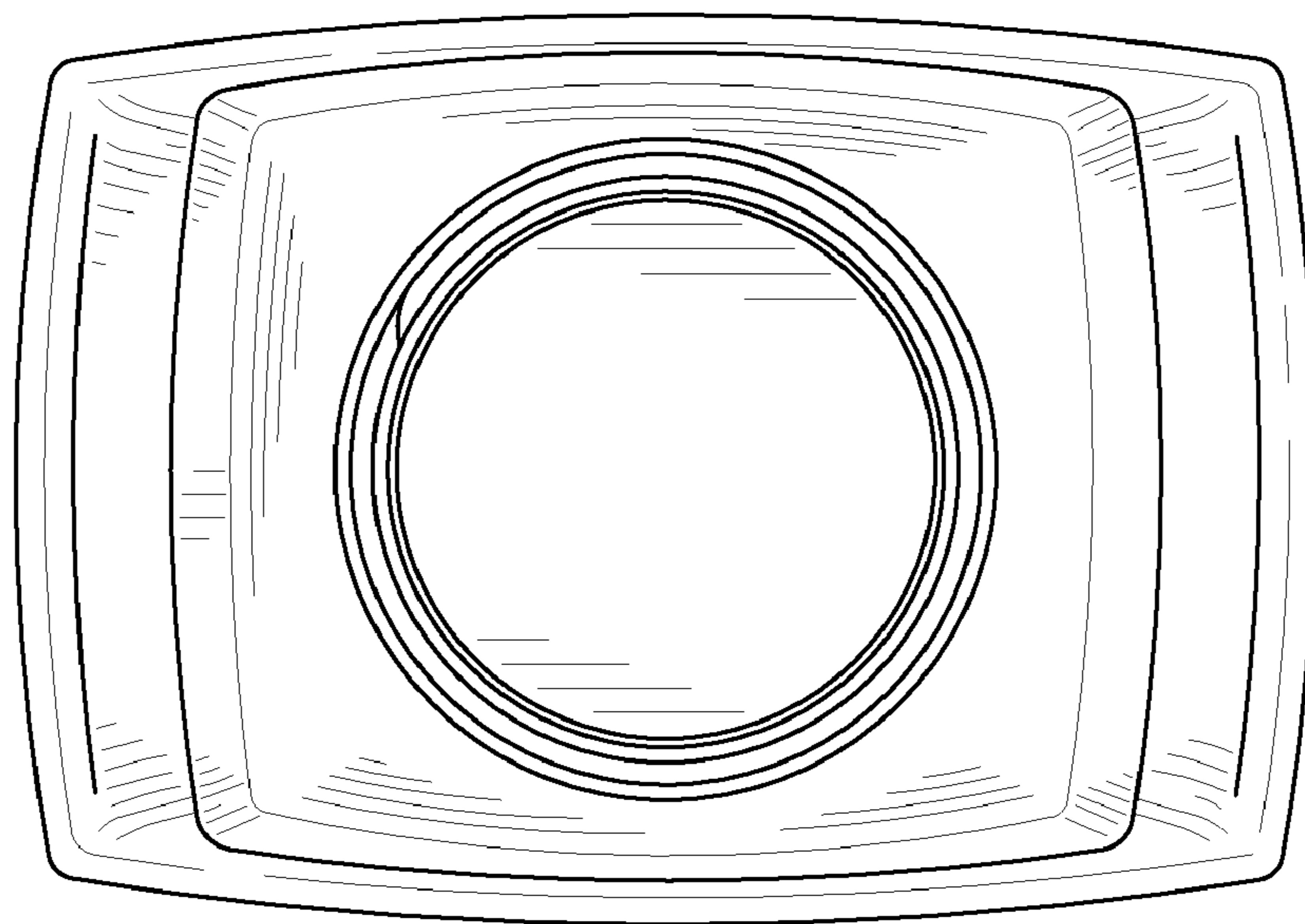


FIG. 6

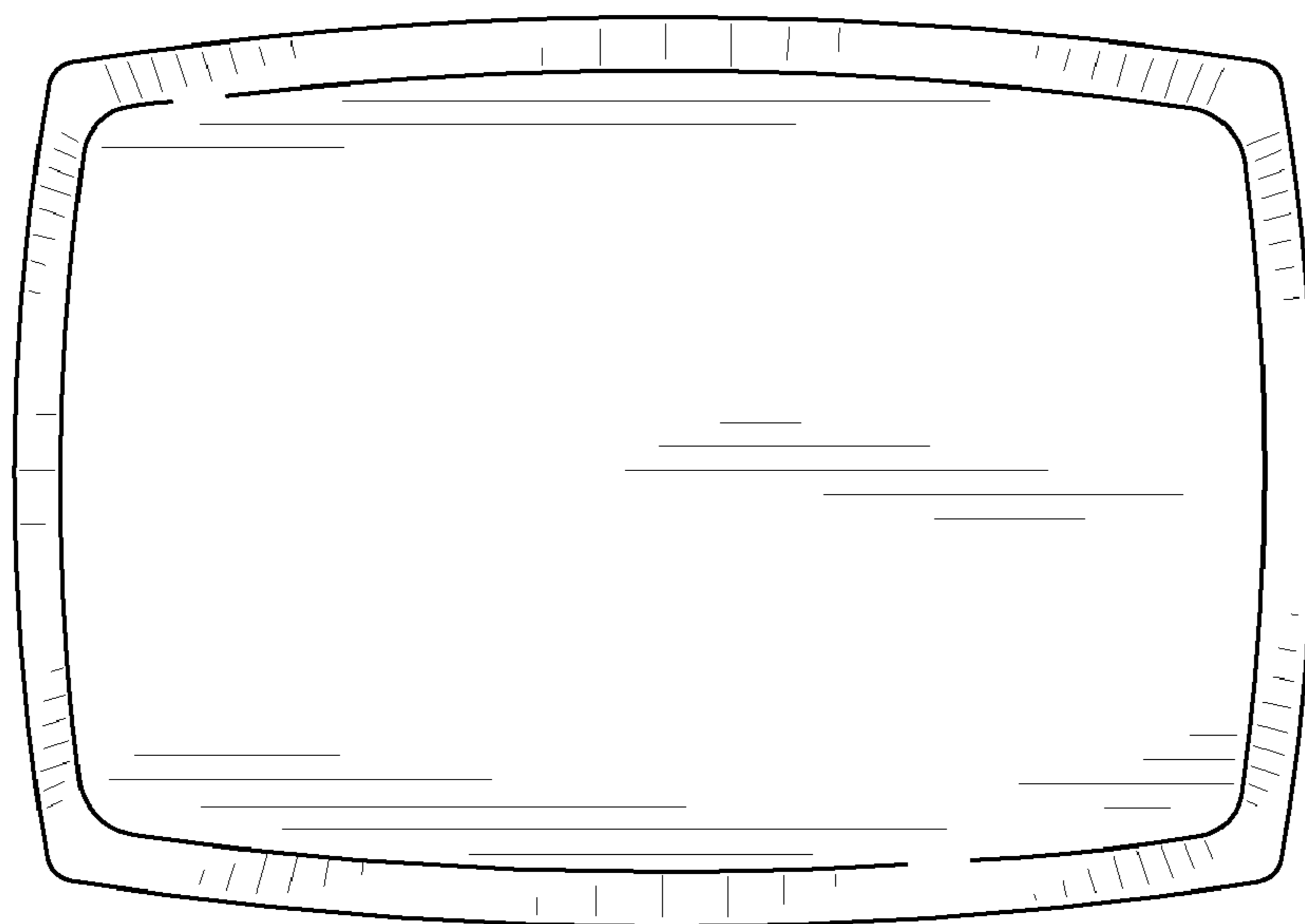


FIG. 7