



US00D607733S

(12) **United States Design Patent**
Lepoitevin

(10) **Patent No.:** **US D607,733 S**
(45) **Date of Patent:** **** Jan. 12, 2010**

(54) **PLASTIC BOTTLE**

(75) Inventor: **Laurent Lepoitevin**, Octeville-sur-Mer (FR)

(73) Assignee: **Industries Lassonde Inc.**, Rougemont, Quebec (CA)

(**) Term: **14 Years**

(21) Appl. No.: **29/310,068**

(22) Filed: **Jul. 23, 2008**

(51) **LOC (9) Cl.** **09-01**

(52) **U.S. Cl.** **D9/538; D9/552; D9/557; D9/520**

(58) **Field of Classification Search** D9/682-694, D9/502, 516, 520, 537-540, 549, 552, 556-558, D9/565; 215/382-384; D24/197
See application file for complete search history.

(56) **References Cited**

U.S. PATENT DOCUMENTS

D212,276 S *	9/1968	Looding	D9/538
D348,006 S *	6/1994	Feen	D9/552
D412,441 S *	8/1999	Cheng et al.	D9/552
D432,019 S *	10/2000	Steward	D9/538
6,213,326 B1 *	4/2001	Denner et al.	215/383
D449,533 S *	10/2001	Helps et al.	D9/502
D455,964 S *	4/2002	Patterson	D9/552
D462,013 S *	8/2002	Iizuka et al.	D9/538
D477,232 S *	7/2003	Podlucky	D9/557
D522,873 S *	6/2006	Forget	D9/552
D534,079 S *	12/2006	Livingston	D9/516
D556,044 S *	11/2007	Hirata	D9/538
D556,592 S *	12/2007	Gage et al.	D9/552
D567,097 S *	4/2008	Bourne	D9/551

D567,098 S *	4/2008	Sequeira	D9/552
D570,701 S *	6/2008	Miller et al.	D9/550
D571,667 S *	6/2008	Bourne	D9/539
D581,799 S *	12/2008	Bourne	D9/538
D584,153 S *	1/2009	Bourne	D9/502
D585,753 S *	2/2009	Boukobza	D9/552
D591,156 S *	4/2009	George et al.	D9/516
D600,559 S *	9/2009	Lepoitevin	D9/538

* cited by examiner

Primary Examiner—Carol Rademaker

(74) *Attorney, Agent, or Firm*—Townsend and Townsend and Crew, LLP

(57) **CLAIM**

I claim the ornamental design for a plastic bottle, as shown and described.

DESCRIPTION

FIG. 1 is a perspective view of a plastic bottle according to a first embodiment of the present design;

FIG. 2 is a front elevational view thereof;

FIG. 3 is a top plan view thereof;

FIG. 4 is a bottom plan view thereof;

FIG. 5 is a perspective view of a plastic bottle according to a second embodiment of the present design;

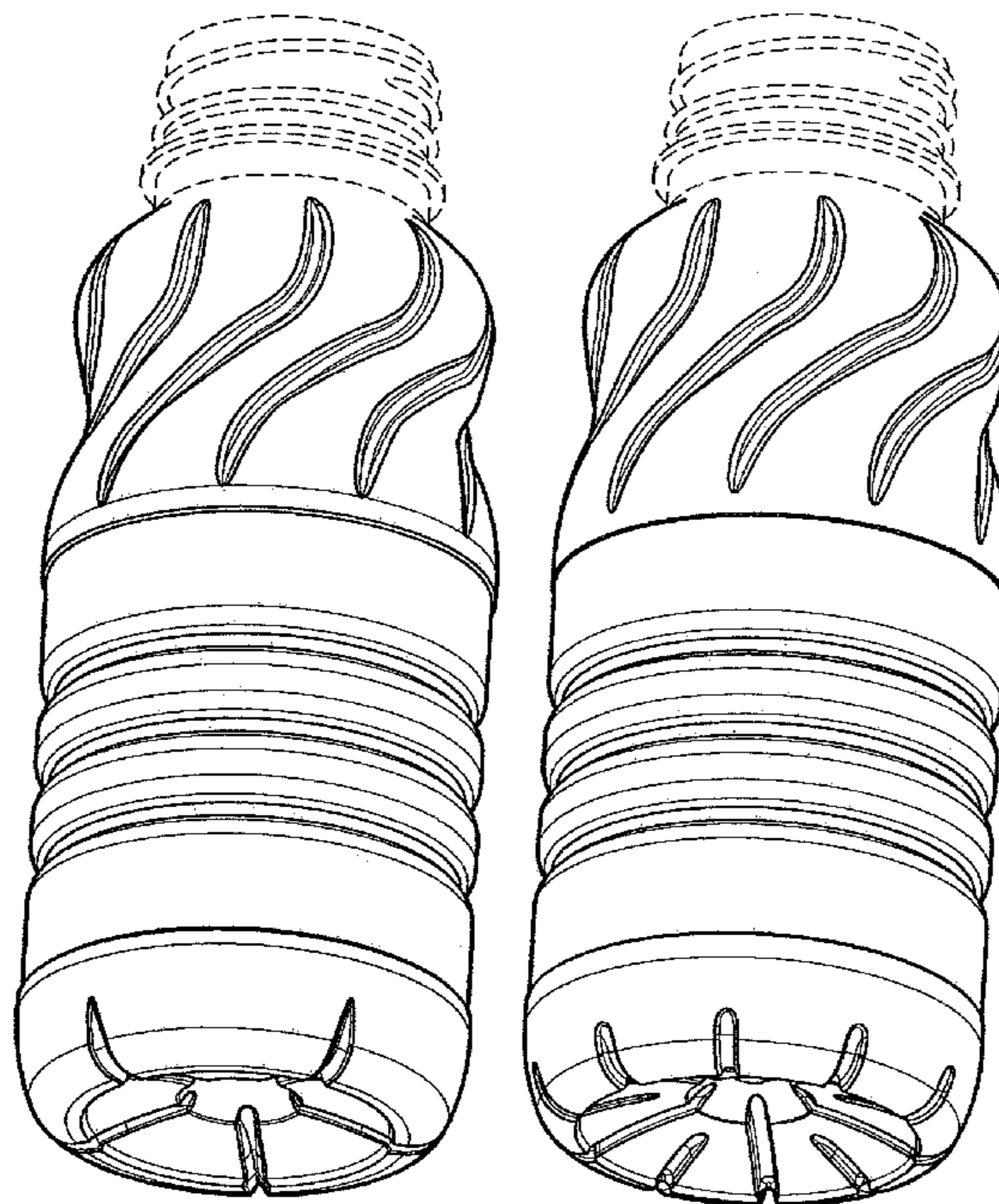
FIG. 6 is a front elevational view thereof;

FIG. 7 is a top plan view thereof; and,

FIG. 8 is a bottom plan view thereof.

The broken lines shown in the drawing views are included for the purpose of showing environmental structure that forms no part of the claimed design.

1 Claim, 6 Drawing Sheets



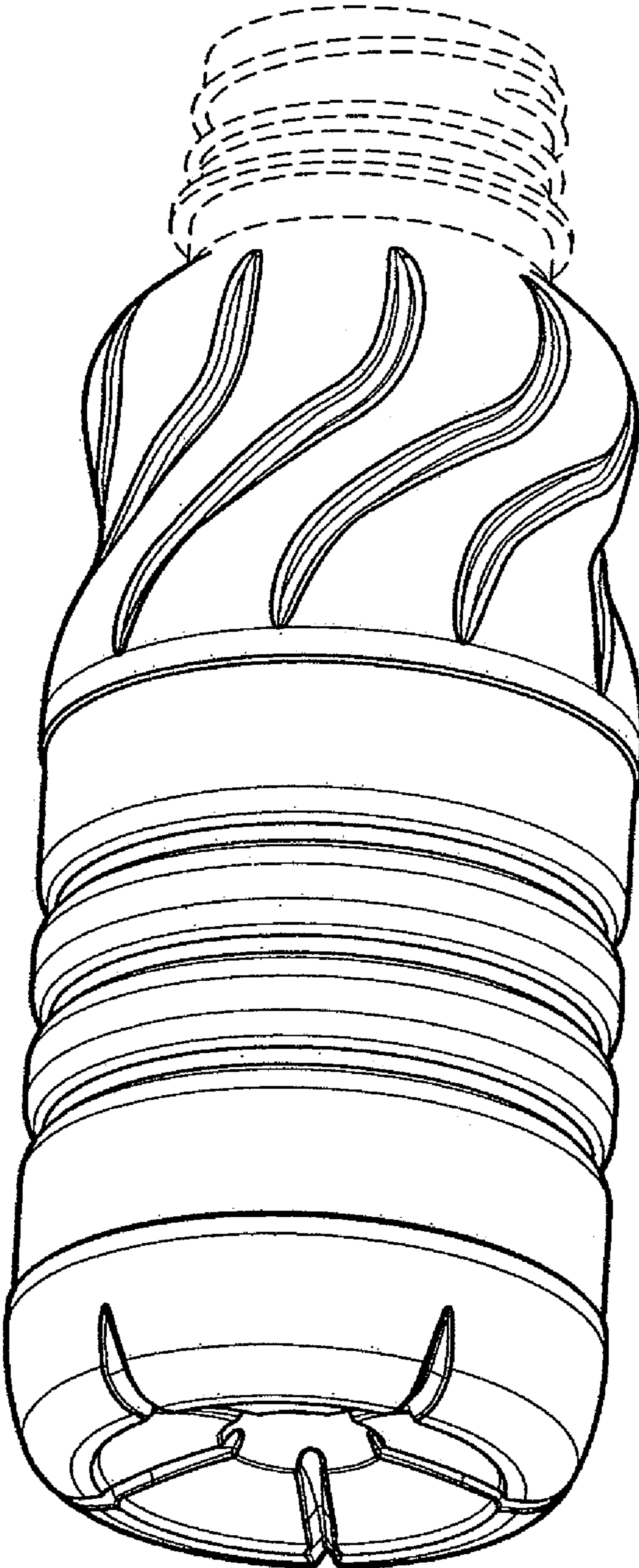


FIG. 1

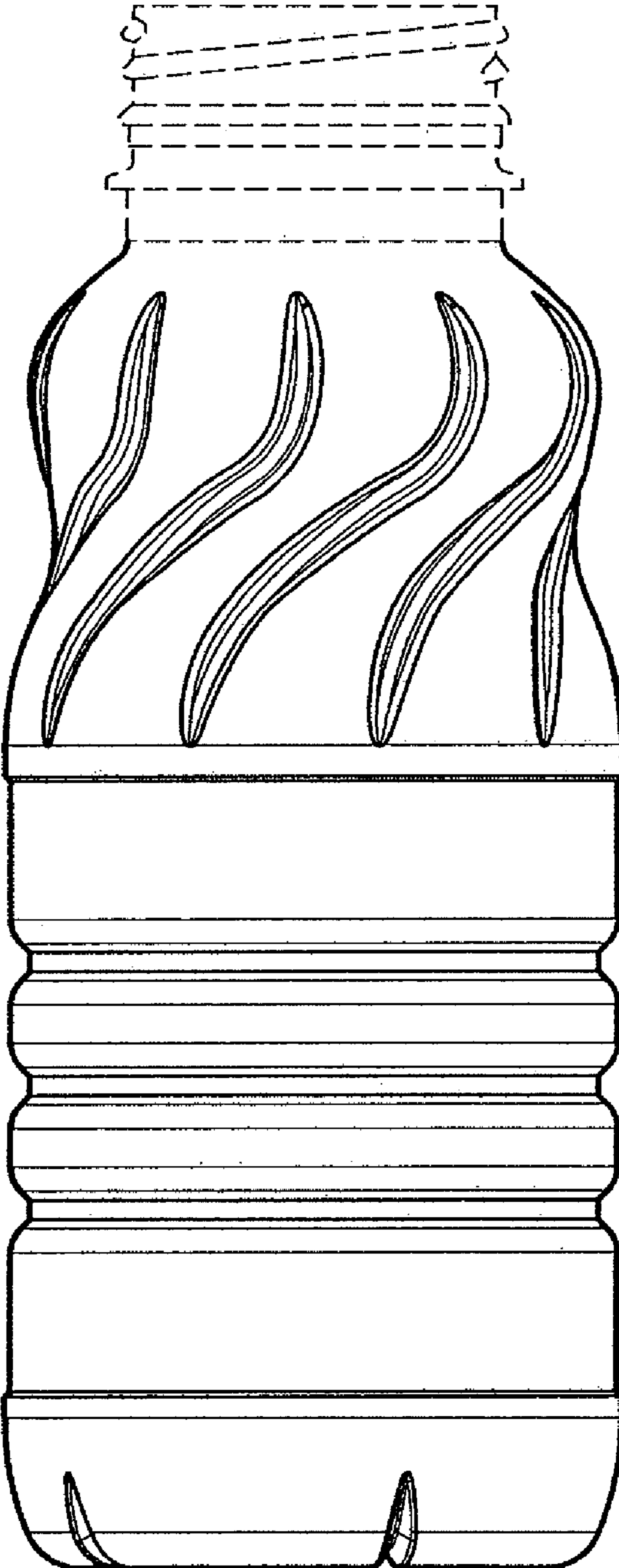


FIG. 2

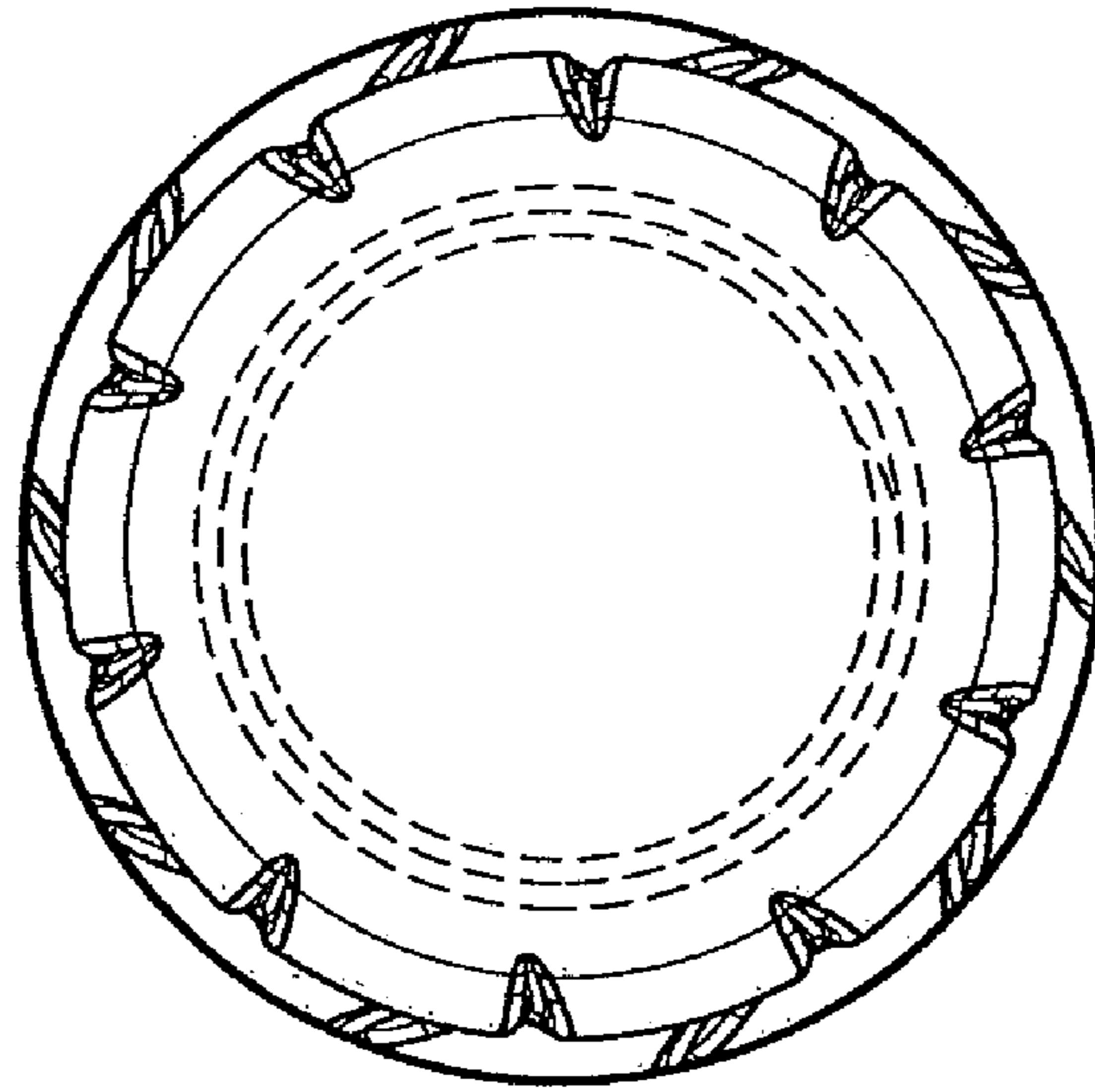


FIG. 3

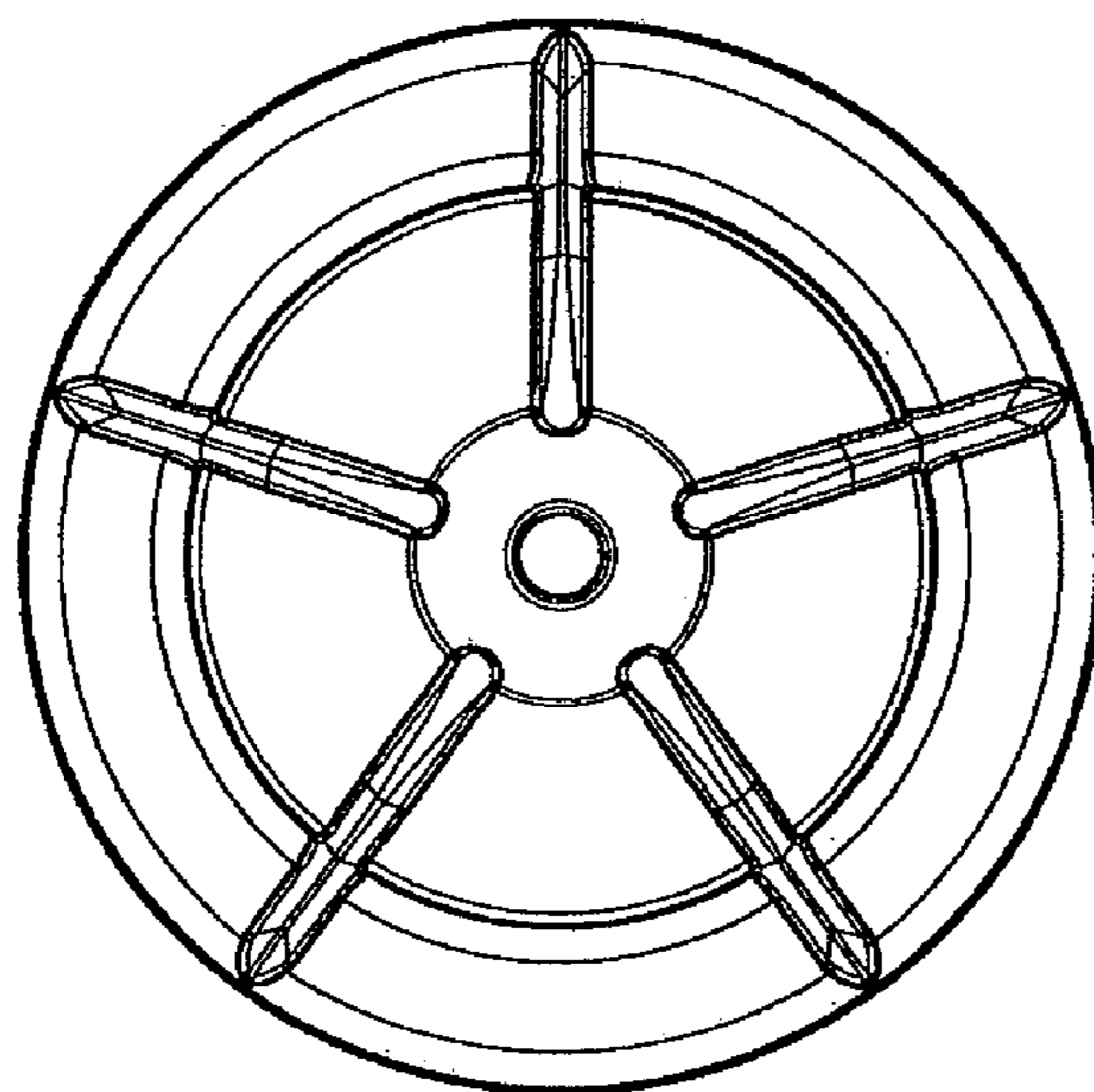


FIG. 4

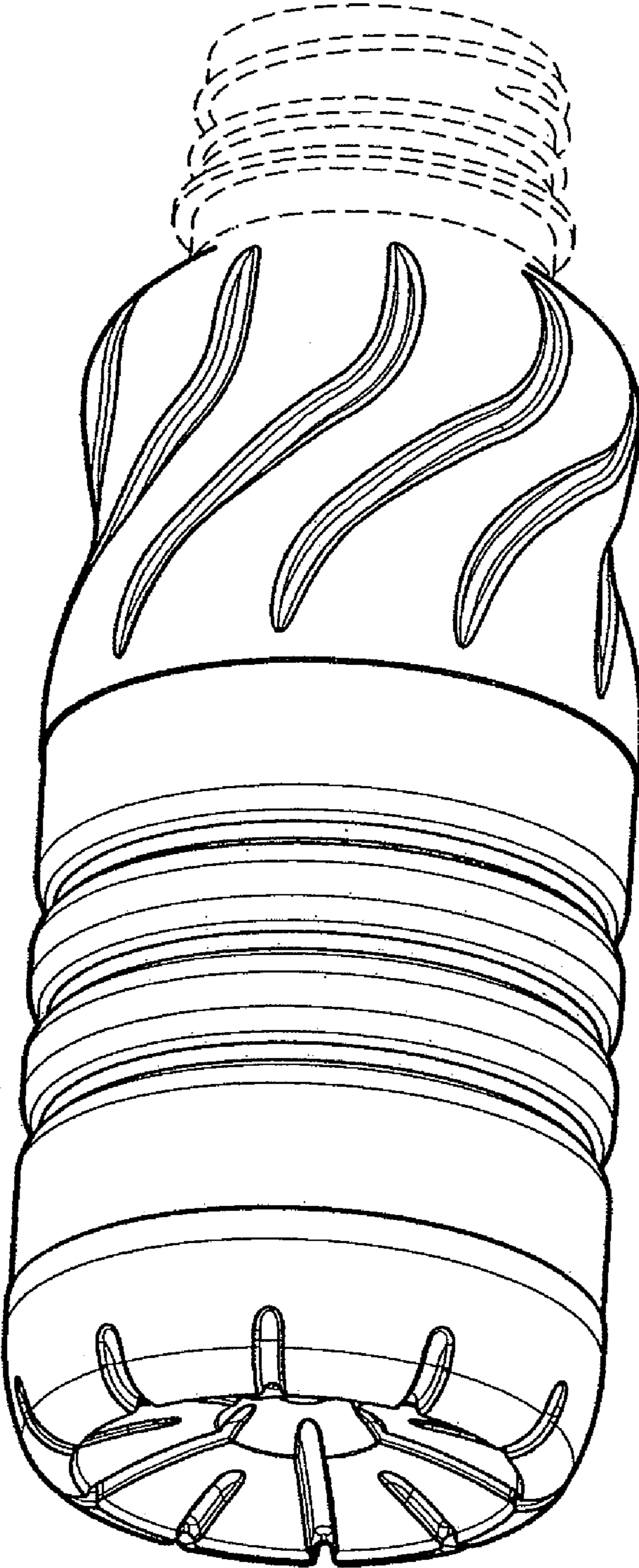


FIG. 5

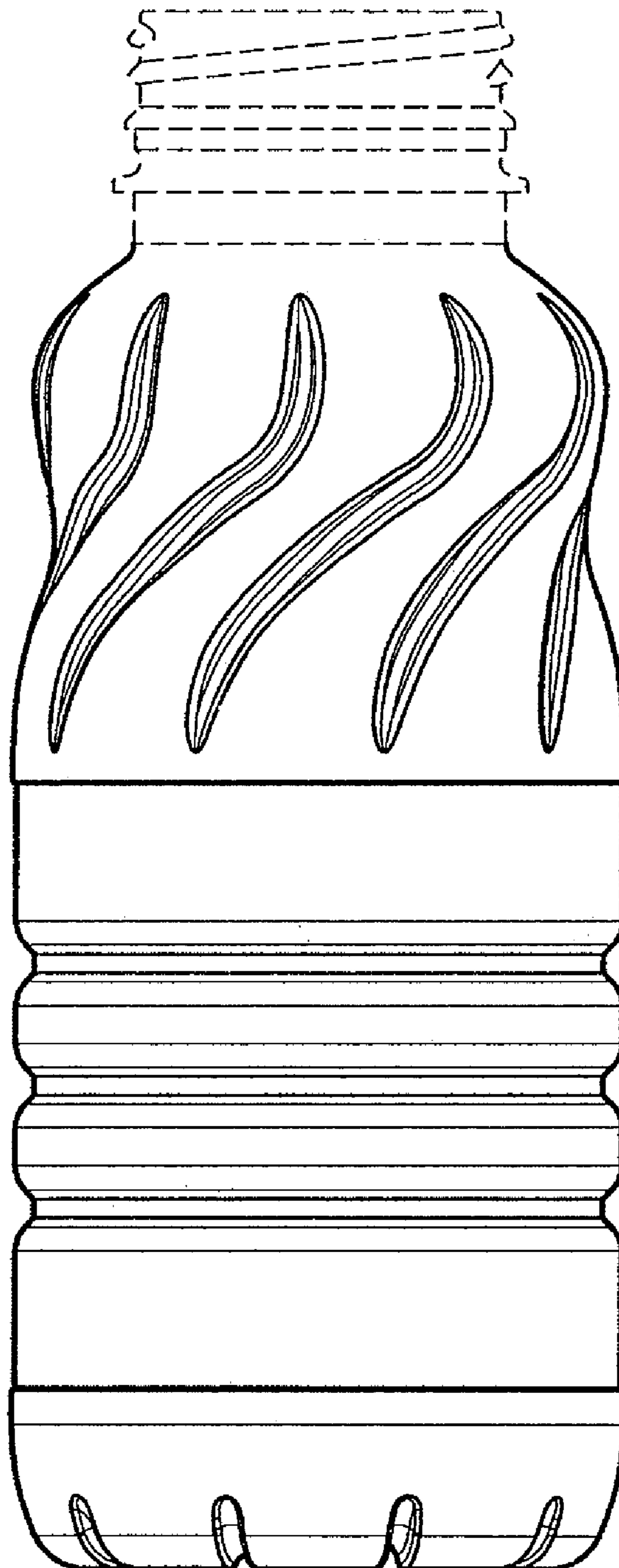


FIG. 6

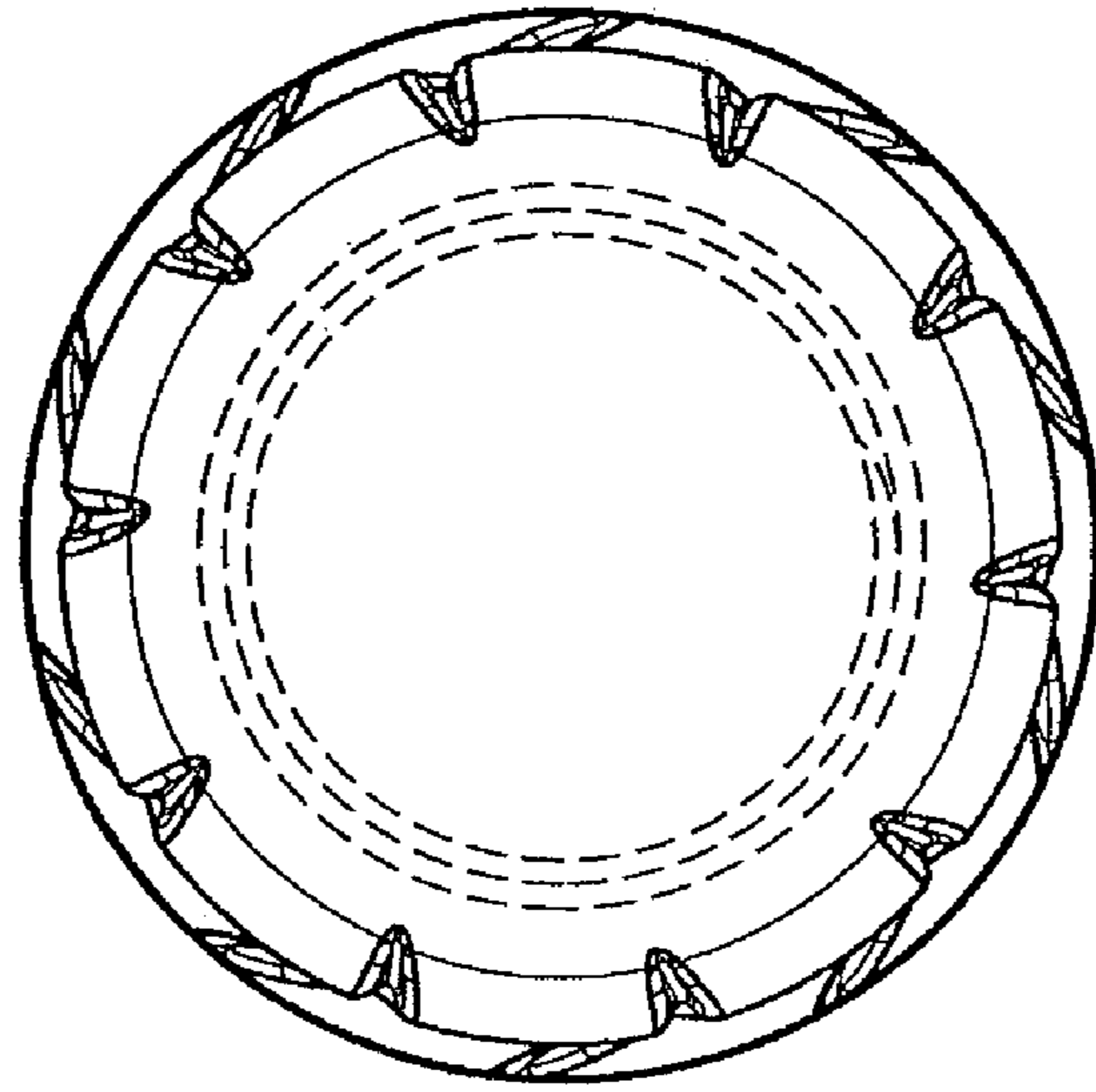


FIG. 7

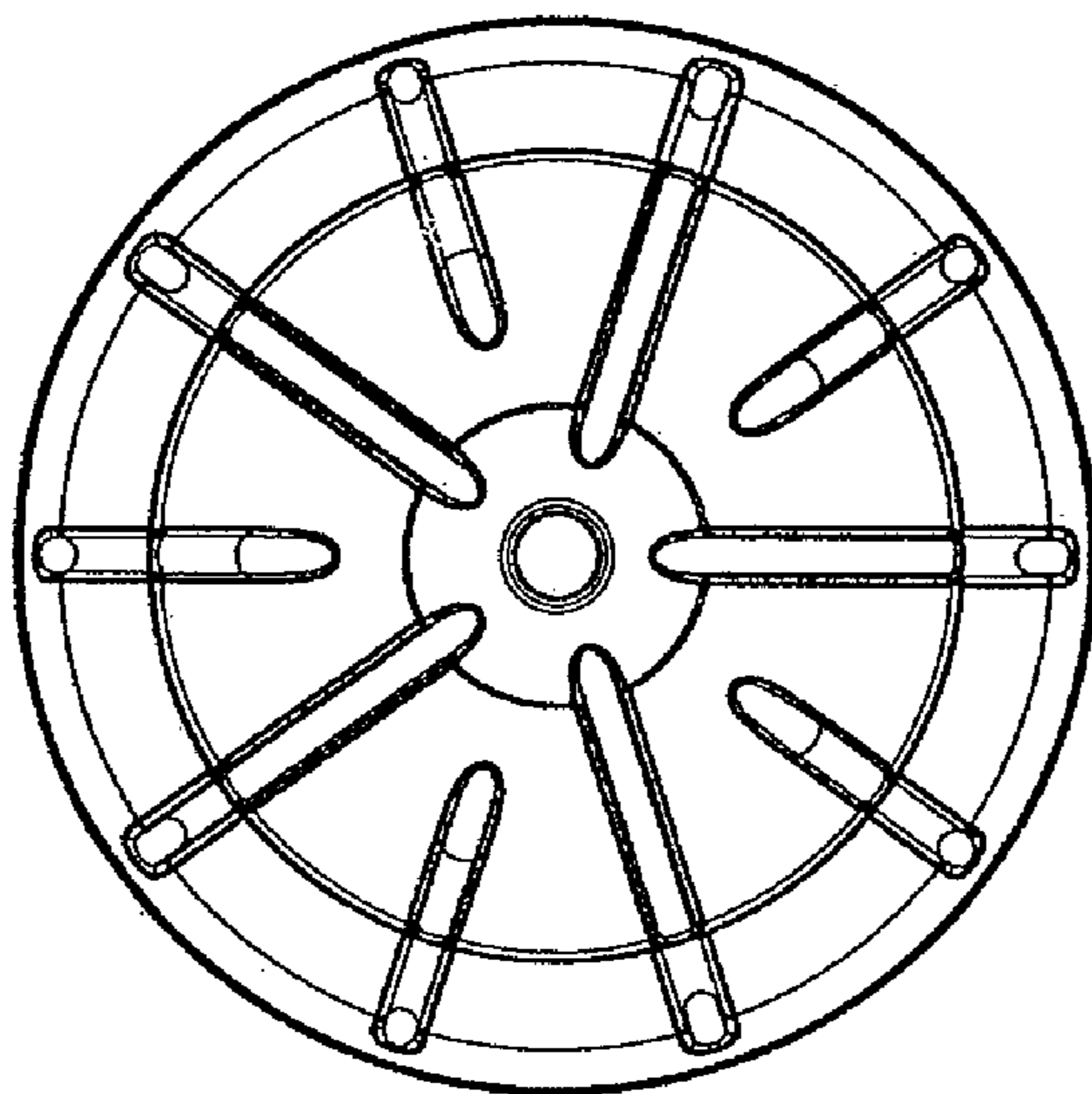


FIG. 8