

US00D607731S

(12) **United States Design Patent**  
**Soliman**

(10) **Patent No.:** **US D607,731 S**  
(45) **Date of Patent:** **\*\* Jan. 12, 2010**

(54) **CONTAINER**

(76) **Inventor:** **Atef Gabr Soliman**, P.O. Box 30,  
October City, Cairo (EG)

(\*\*) **Term:** **14 Years**

(21) **Appl. No.:** **29/284,689**

(22) **Filed:** **Sep. 13, 2007**

(51) **LOC (9) Cl.** ..... **09-01**

(52) **U.S. Cl.** ..... **D9/521; D9/557; D9/558**

(58) **Field of Classification Search** ..... D9/516,  
D9/518, 521, 537, 539, 544, 545, 549, 556,  
D9/557, 558, 551, 564, 569, 570, 574, 434,  
D9/435, 442, 695; 215/381-385; D26/1-4,  
D26/8, 37

See application file for complete search history.

(56) **References Cited**

**U.S. PATENT DOCUMENTS**

728,092	A *	5/1903	Edwards	.....	439/519
D47,282	S *	5/1915	Buermann	.....	D30/140
D209,318	S *	11/1967	Stone	.....	D26/8
D229,748	S *	1/1974	White	.....	D24/224
D232,355	S *	8/1974	Wiedmann	.....	D24/224
3,920,887	A *	11/1975	Kloos et al.	.....	174/148
D244,554	S *	5/1977	Jones et al.	.....	D24/224
D262,438	S *	12/1981	Sears et al.	.....	D9/726
4,327,923	A *	5/1982	Chesterton et al.	.....	277/531
D287,570	S *	1/1987	Olsen	.....	D24/224
4,797,111	A *	1/1989	Ackmann	.....	439/755
5,209,992	A *	5/1993	Feres	.....	429/86
5,302,980	A *	4/1994	Barrett	.....	351/212
5,413,502	A *	5/1995	Wang	.....	439/551
5,532,073	A *	7/1996	Hirata et al.	.....	429/34
5,601,443	A *	2/1997	Stinsky et al.	.....	439/263
D383,390	S *	9/1997	Abfier et al.	.....	D9/520
D395,239	S *	6/1998	Davis	.....	D9/778

D403,965	S *	1/1999	Bright et al.	.....	D9/503
5,989,015	A *	11/1999	Guerin et al.	.....	431/329
6,013,374	A *	1/2000	Watanabe et al.	.....	428/424.8
D423,621	S *	4/2000	Holtby	.....	D21/791
D470,415	S *	2/2003	Weber	.....	D9/521
D505,980	S *	6/2005	Eichhorn	.....	D21/483
D521,166	S *	5/2006	Yamamoto et al.	.....	D26/37
D527,126	S *	8/2006	Opolka	.....	D26/37
D546,988	S *	7/2007	Shiu	.....	D26/37
D551,366	S *	9/2007	Galli	.....	D26/37
D557,836	S *	12/2007	Shiu	.....	D26/37
D574,711	S *	8/2008	Lederman et al.	.....	D9/521
D574,984	S *	8/2008	Hesse et al.	.....	D26/37
D579,594	S *	10/2008	Hesse et al.	.....	D26/37
D583,481	S *	12/2008	Yamamoto et al.	.....	D24/224
D594,332	S *	6/2009	Nerubay	.....	D9/501
2001/0046621	A1 *	11/2001	Colli, Jr.	.....	429/65
2009/0185368	A1 *	7/2009	Homes et al.	.....	362/184

\* cited by examiner

*Primary Examiner*—Stella M Reid

*Assistant Examiner*—Elizabeth J Oswecki

(74) *Attorney, Agent, or Firm*—Gallagher & Kennedy, P.A.;  
Andrea Nicholson

(57) **CLAIM**

The ornamental design for a container, as shown and described.

**DESCRIPTION**

FIG. 1 is a perspective view of a container showing my new design;

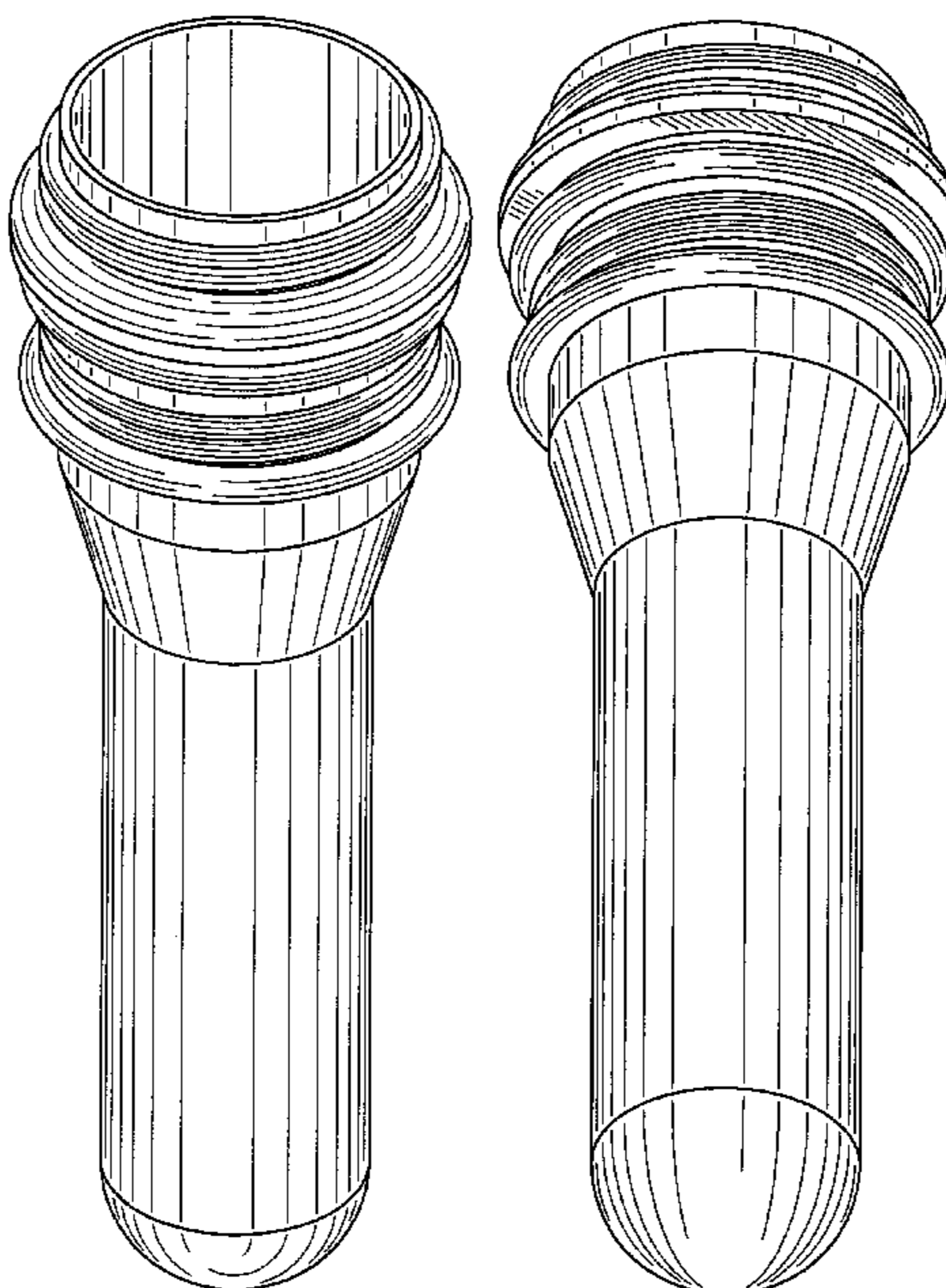
FIG. 2 is another perspective view thereof;

FIG. 3 is a side view thereof;

FIG. 4 is a top view thereof; and,

FIG. 5 is a bottom view thereof.

**1 Claim, 4 Drawing Sheets**



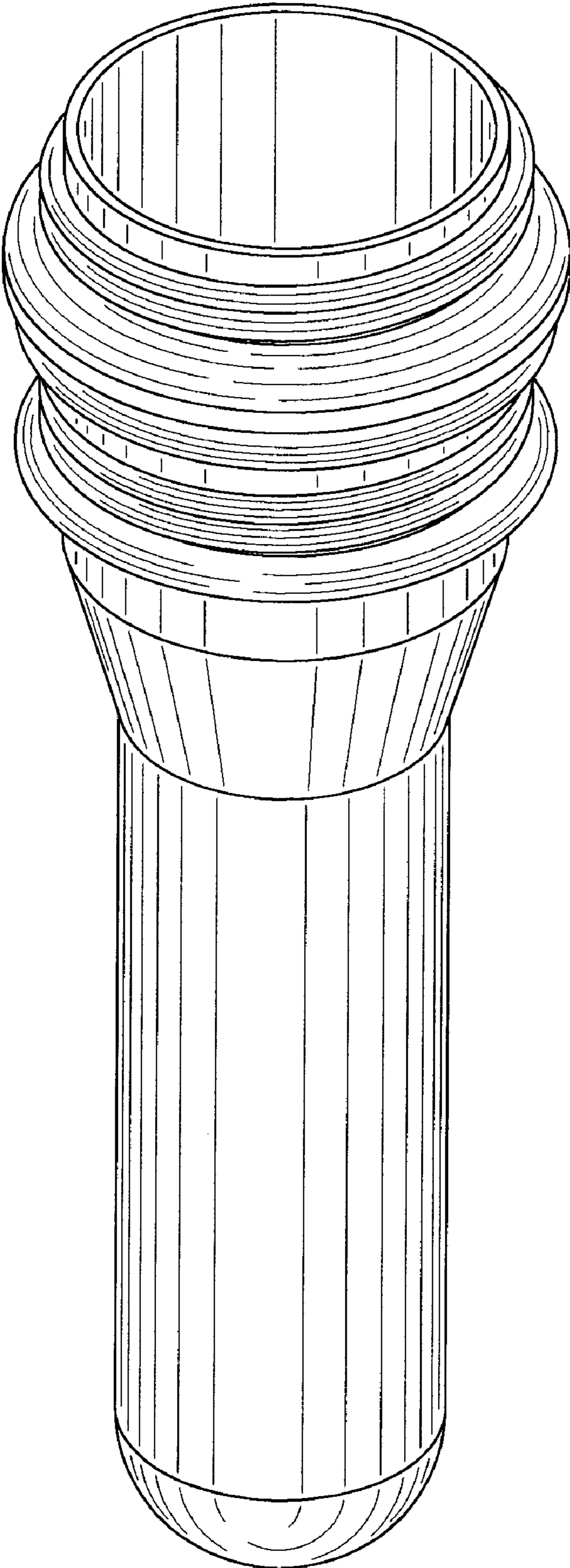


FIG. 1

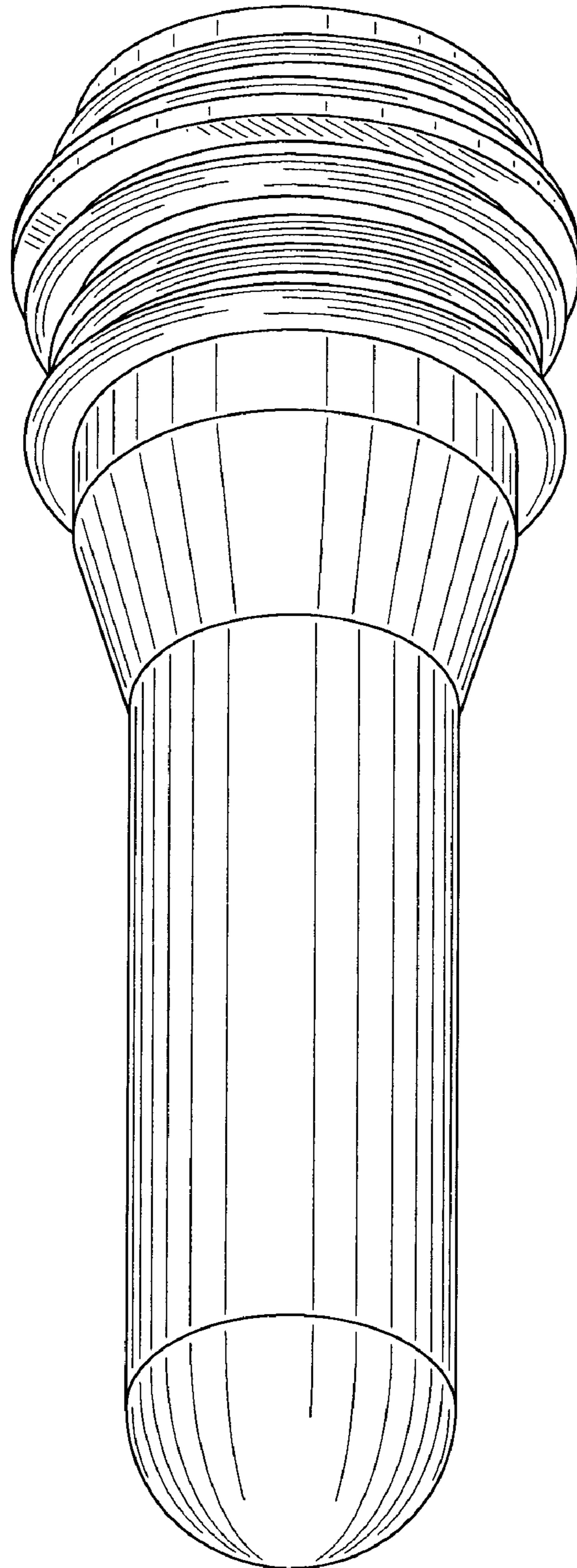


FIG. 2

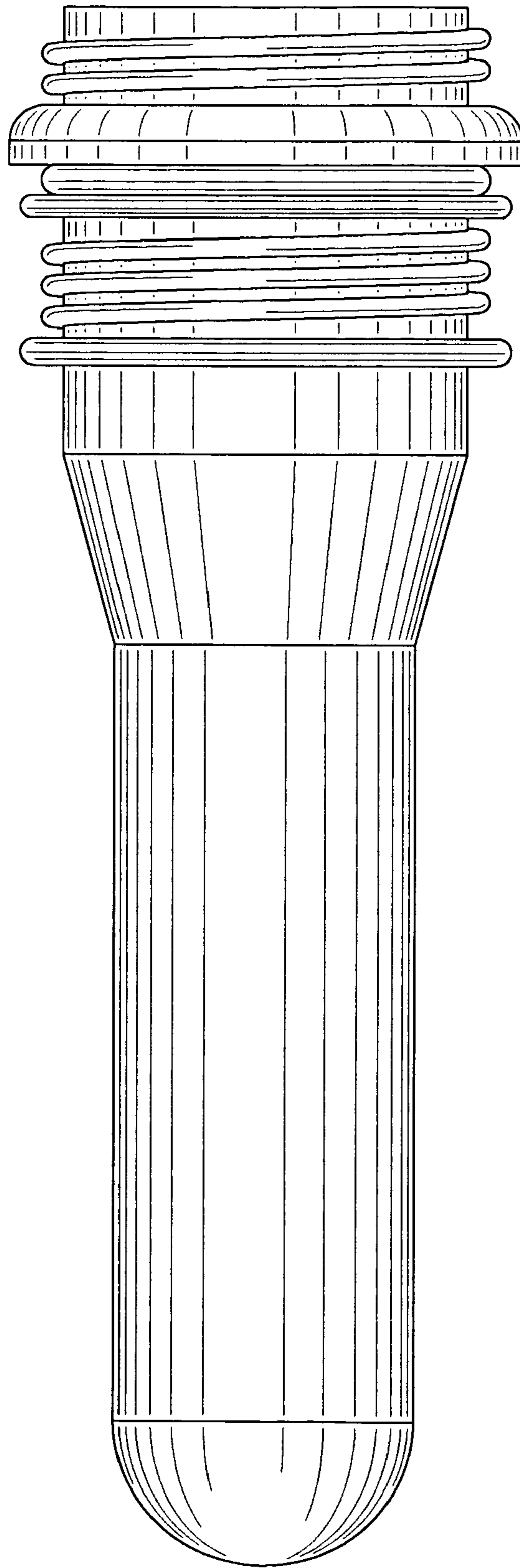


FIG. 3

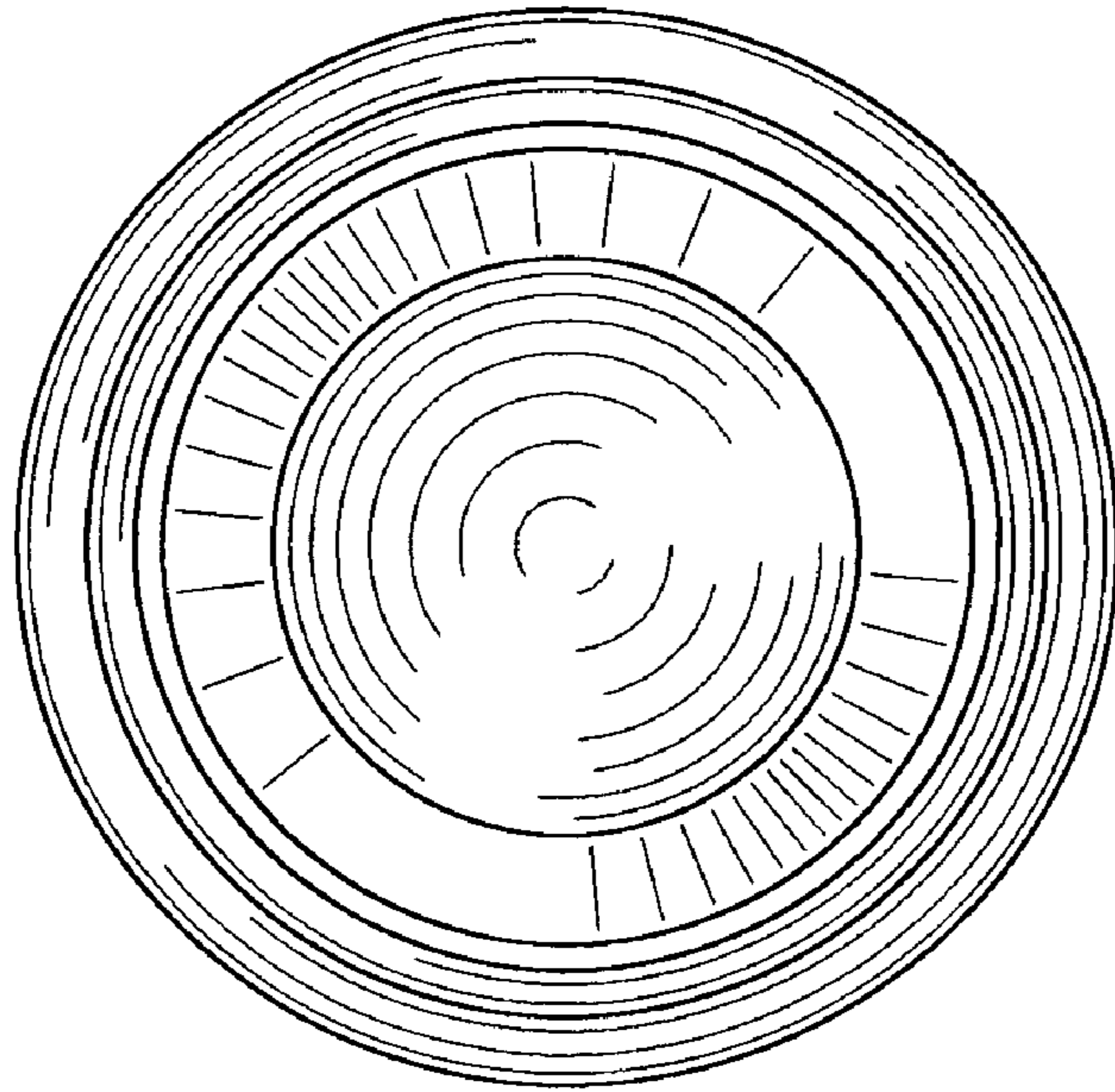


FIG. 4

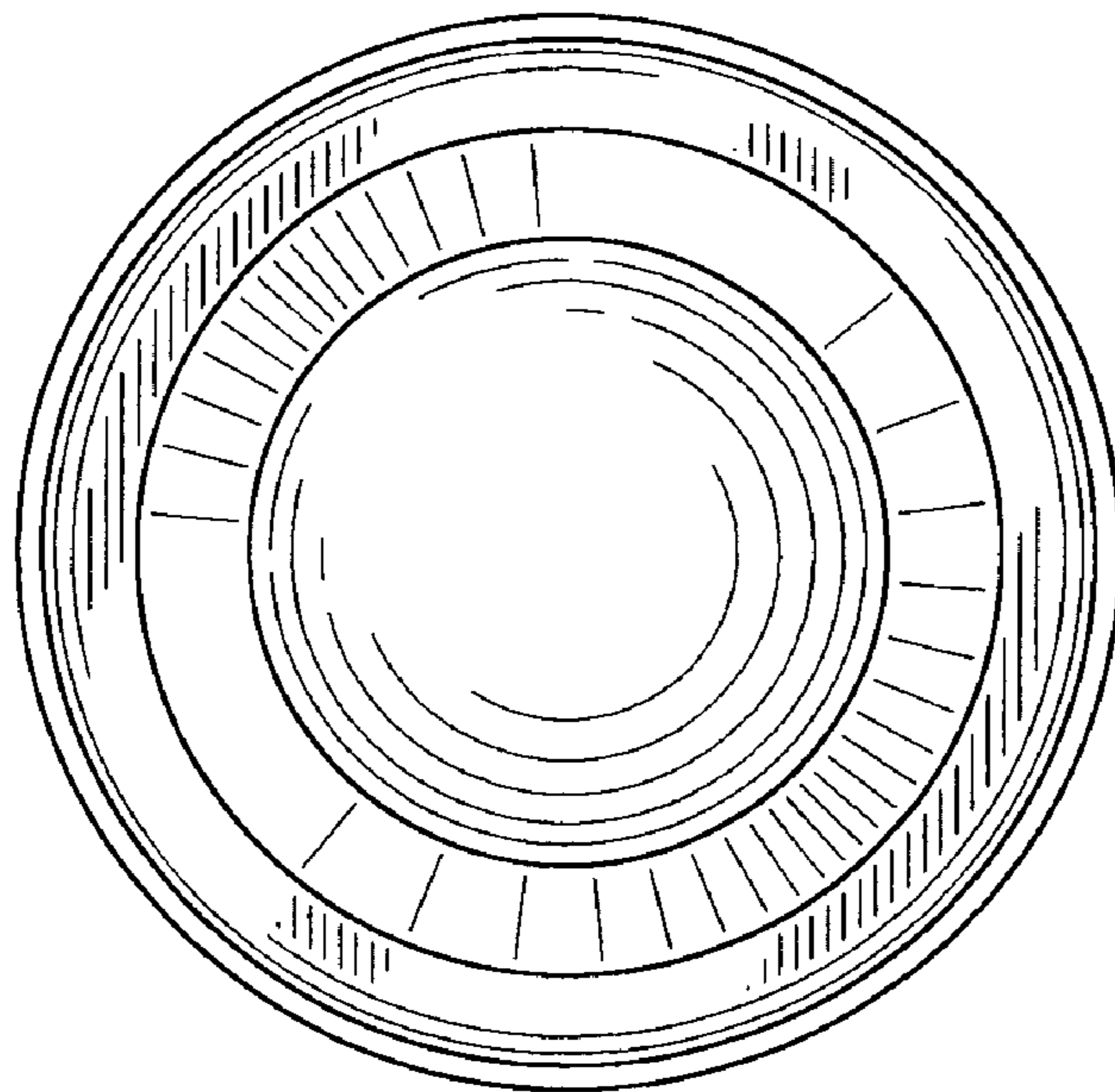


FIG. 5