



US00D607730S

(12) **United States Design Patent**
Lepoitevin

(10) **Patent No.:** **US D607,730 S**

(45) **Date of Patent:** **** Jan. 12, 2010**

(54) **PLASTIC BOTTLE**

(75) Inventor: **Laurent Lepoitevin**, Octeville-sur-Mer (FR)

(73) Assignee: **Industries Lassonde Inc.**, Rougemont, Quebec (CA)

(**) Term: **14 Years**

(21) Appl. No.: **29/334,403**

(22) Filed: **Mar. 25, 2009**

Related U.S. Application Data

(63) Continuation of application No. 29/310,068, filed on Jul. 23, 2008.

(51) **LOC (9) Cl.** **09-01**

(52) **U.S. Cl.** **D9/516; D9/552**

(58) **Field of Classification Search** D9/682-694,
D9/516, 537-540, 549, 552, 556-557, 565;
215/382-384; D24/197

See application file for complete search history.

(56) **References Cited**

U.S. PATENT DOCUMENTS

D412,441 S *	8/1999	Cheng et al.	D9/552
D427,518 S *	7/2000	Steward	D9/538
D432,019 S *	10/2000	Steward	D9/538
D449,533 S *	10/2001	Helps et al.	D9/557 X
D455,964 S *	4/2002	Patterson	D9/552
D462,013 S *	8/2002	Iizuka et al.	D9/538
D476,570 S *	7/2003	Silvers	D9/502 X
D509,740 S *	9/2005	Collins et al.	D9/516

D527,265 S *	8/2006	Brandt et al.	D9/516
D549,104 S *	8/2007	Dimmel et al.	D9/552 X
D556,044 S *	11/2007	Hirata	D9/538
D556,592 S *	12/2007	Gage et al.	D9/552
D564,359 S *	3/2008	Trollope et al.	D9/556 X
D567,098 S *	4/2008	Sequeira	D9/552
D570,220 S *	6/2008	Venkataraman et al.	D9/516
D570,694 S *	6/2008	Venkataraman et al.	D9/516
D570,701 S *	6/2008	Miller et al.	D9/556 X
D572,139 S *	7/2008	Trollope et al.	D9/516
D591,156 S *	4/2009	George et al.	D9/516

* cited by examiner

Primary Examiner—Carol Rademaker

(74) *Attorney, Agent, or Firm*—Townsend and Townsend and Crew, LLP

(57) **CLAIM**

I claim the ornamental design for a plastic bottle, as shown and described.

DESCRIPTION

FIG. 1 is a perspective view of a plastic bottle according to the present design;

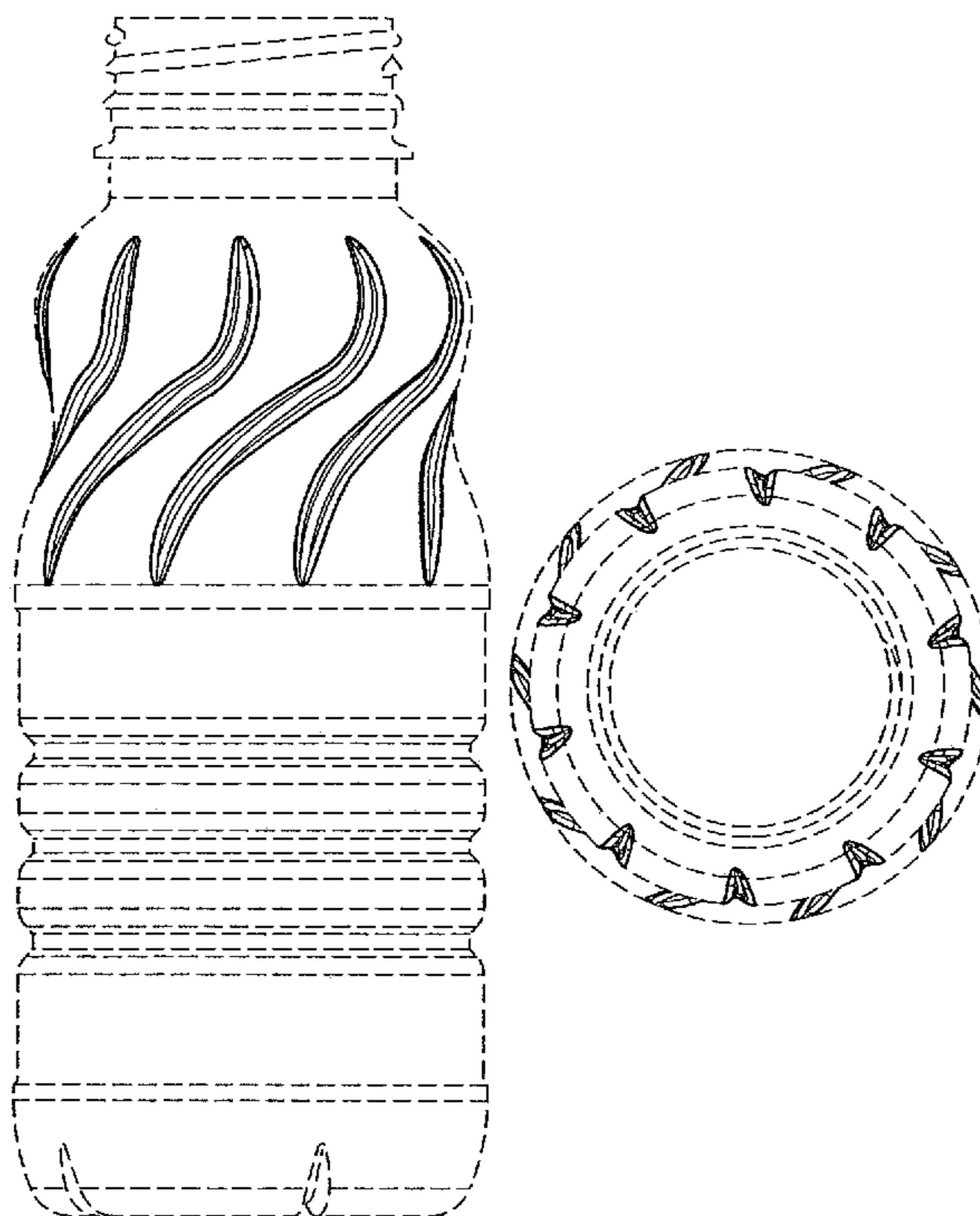
FIG. 2 is a front elevational view of the plastic bottle of FIG. 1;

FIG. 3 is a top view of the plastic bottle of FIG. 1; and,

FIG. 4 is bottom view of the plastic bottle of FIG. 1.

The broken lines shown in the drawing views are included for the purpose of showing environmental structure that forms no part of the claimed design.

1 Claim, 3 Drawing Sheets



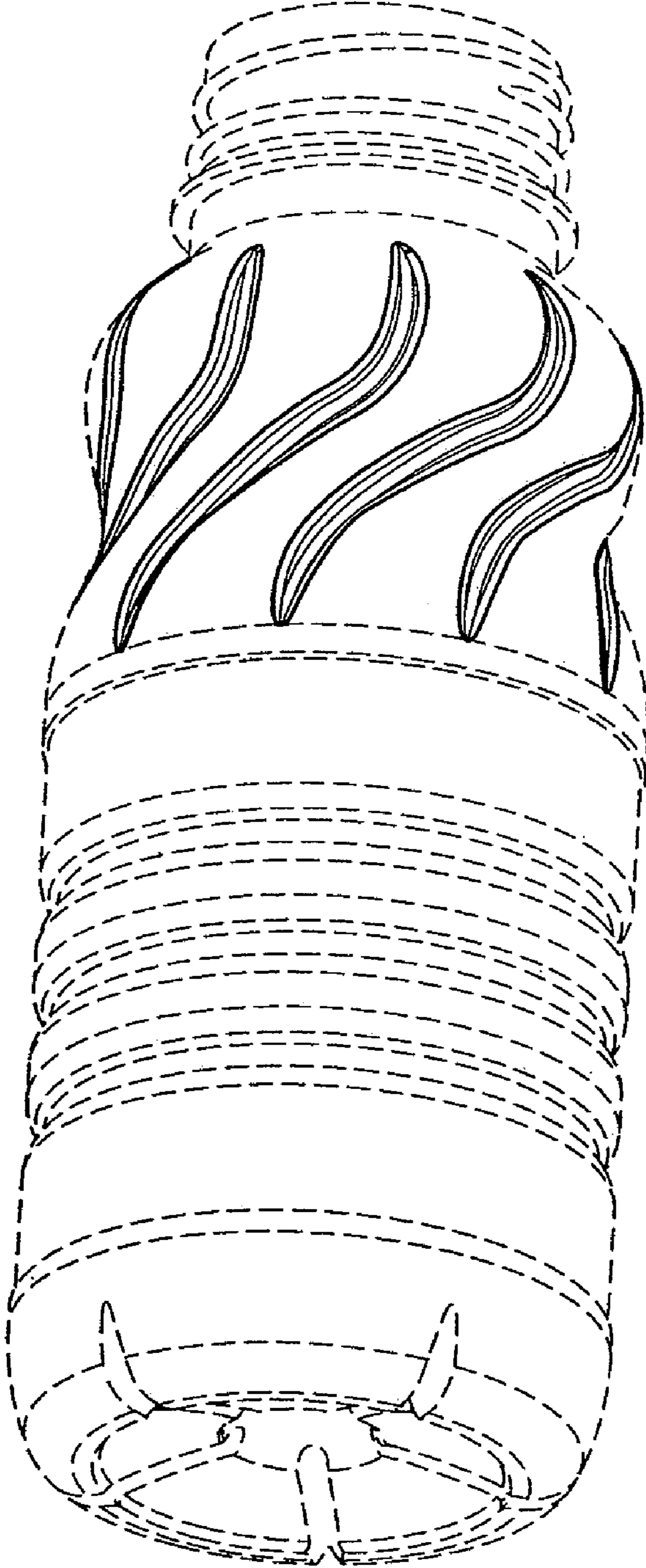


FIG. 1

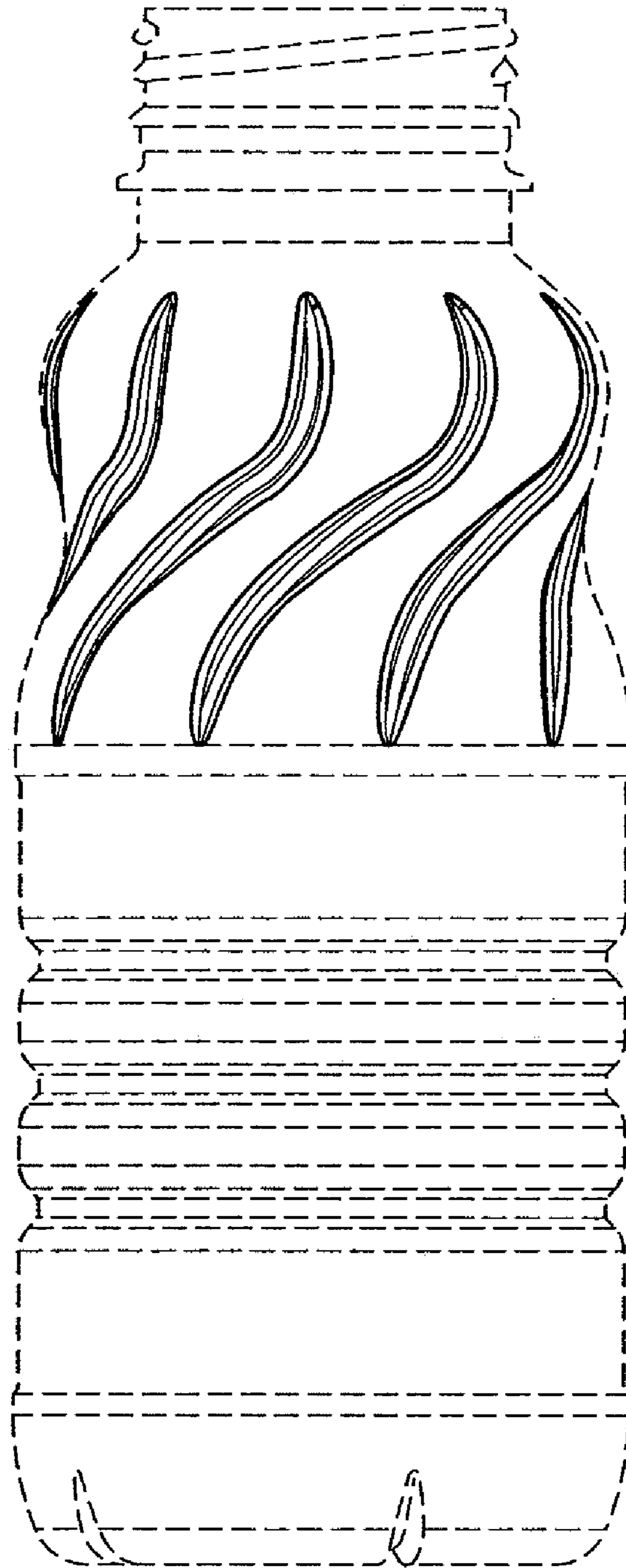


FIG. 2

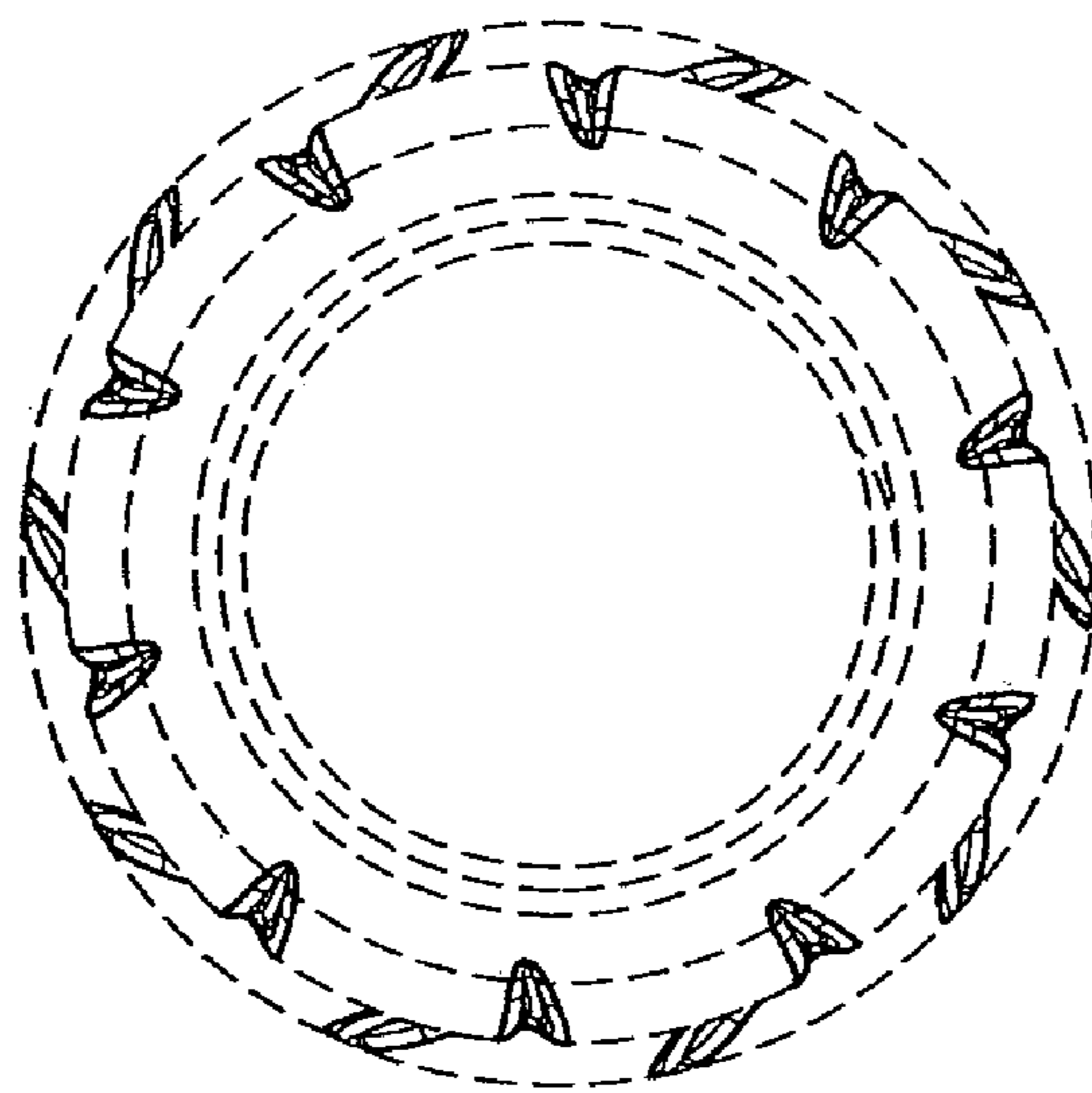


FIG. 3

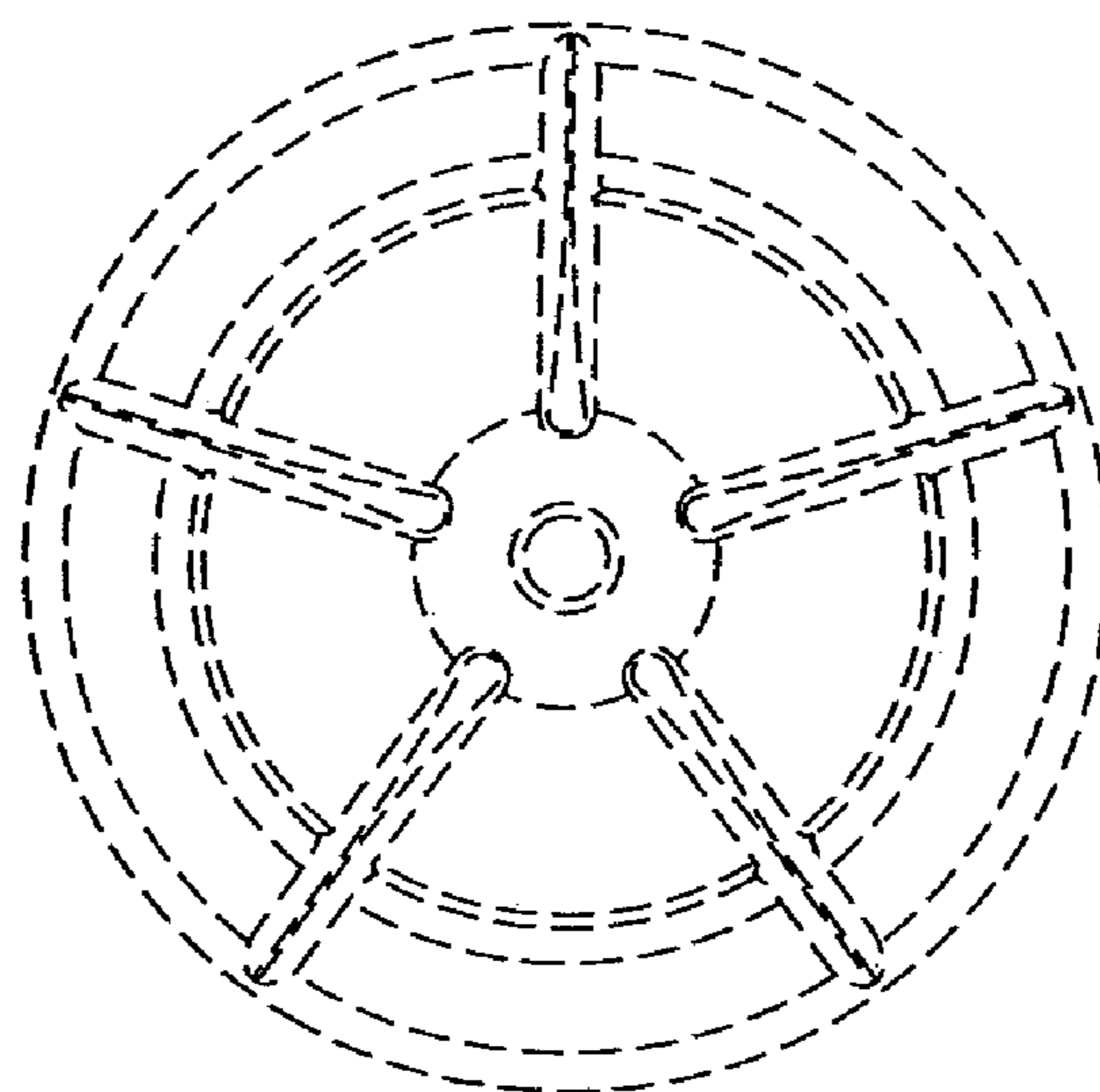


FIG. 4