



US00D607729S

(12) **United States Design Patent**
Berger et al.

(10) **Patent No.:** **US D607,729 S**

(45) **Date of Patent:** **** *Jan. 12, 2010**

(54) **CONTAINER WITH SIDE VIEWING WINDOW**

(75) Inventors: **Robert L. Berger**, Bound Brook, NJ
(US); **Michael L. Turini**, Cranford, NJ
(US)

(73) Assignee: **Schering Corporation**, Kenilworth, NJ
(US)

(*) Notice: This patent is subject to a terminal disclaimer.

(**) Term: **14 Years**

(21) Appl. No.: **29/327,296**

(22) Filed: **Nov. 3, 2008**

(51) **LOC (9) Cl.** **09-01**

(52) **U.S. Cl.** **D9/516**

(58) **Field of Classification Search** D9/500,
D9/516, 529, 549, 553, 558, 566, 569, 572,
D9/573, 574, 575, 723, 724; 215/381-385
See application file for complete search history.

(56) **References Cited**

U.S. PATENT DOCUMENTS

D148,047	S	*	12/1947	Burger	D9/558
3,361,304	A	*	1/1968	Thompson	222/190
D298,514	S	*	11/1988	Dole et al.	D9/571
D300,265	S	*	3/1989	Brown et al.	D28/7
D338,159	S	*	8/1993	Densky et al.	D9/724
D355,844	S	*	2/1995	Bishop et al.	D9/724
D374,613	S	*	10/1996	Maxwell et al.	D9/694
D438,789	S	*	3/2001	Choe et al.	D9/724
D466,553	S	*	12/2002	Yan	D9/724
D498,146	S	*	11/2004	Densky et al.	D9/571
D563,221	S	*	3/2008	Ashiwa et al.	D9/500

D563,798 S * 3/2008 Gibson et al. D9/724
2003/0034322 A1 * 2/2003 Doherty et al. 215/228

* cited by examiner

Primary Examiner—Stella M Reid

Assistant Examiner—Elizabeth J Oswecki

(74) *Attorney, Agent, or Firm*—Barry H. Jacobsen

(57) **CLAIM**

The ornamental design for a container with side viewing window, as shown and described.

DESCRIPTION

FIG. 1 is a front perspective view of a container with side viewing window showing our new design;

FIG. 2 is a front elevational view thereof, the rear being identical thereto;

FIG. 3 is a left side elevational view thereof;

FIG. 4 is a top plan view thereof;

FIG. 5 is a right side elevational view thereof;

FIG. 6 is a perspective view of a second embodiment of the container as disclosed in FIG. 1;

FIG. 7 is a front elevational view thereof, the rear being identical thereto;

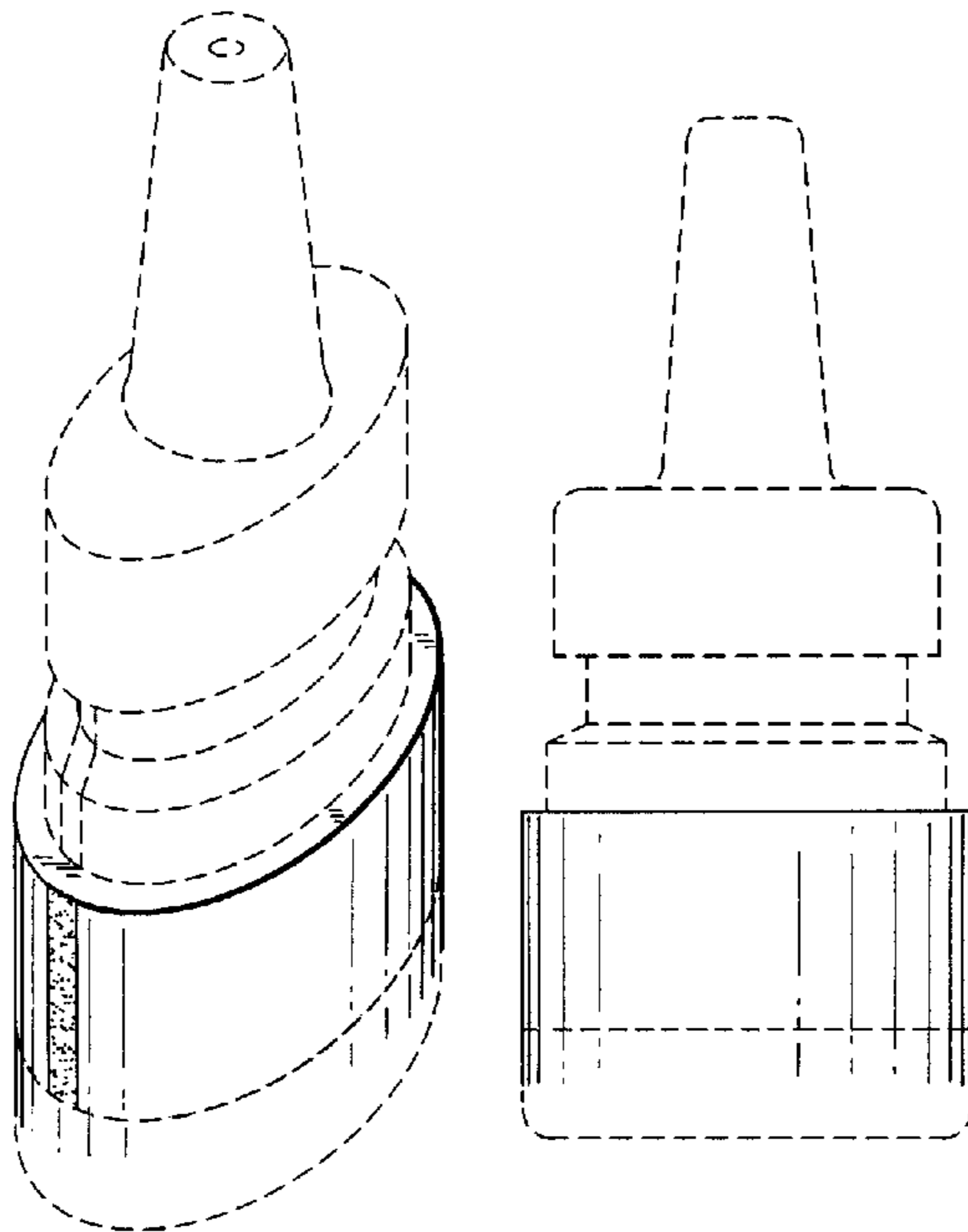
FIG. 8 is a left side elevational view thereof; and,

FIG. 9 is a right side elevational view thereof.

The broken line showing of a container dispenser in showings of FIGS. 1-9 are for illustrative purposes only and form is included for the purpose of illustrating only and forms no part of the claimed invention.

All sides not shown form no part of the claimed design.

1 Claim, 3 Drawing Sheets



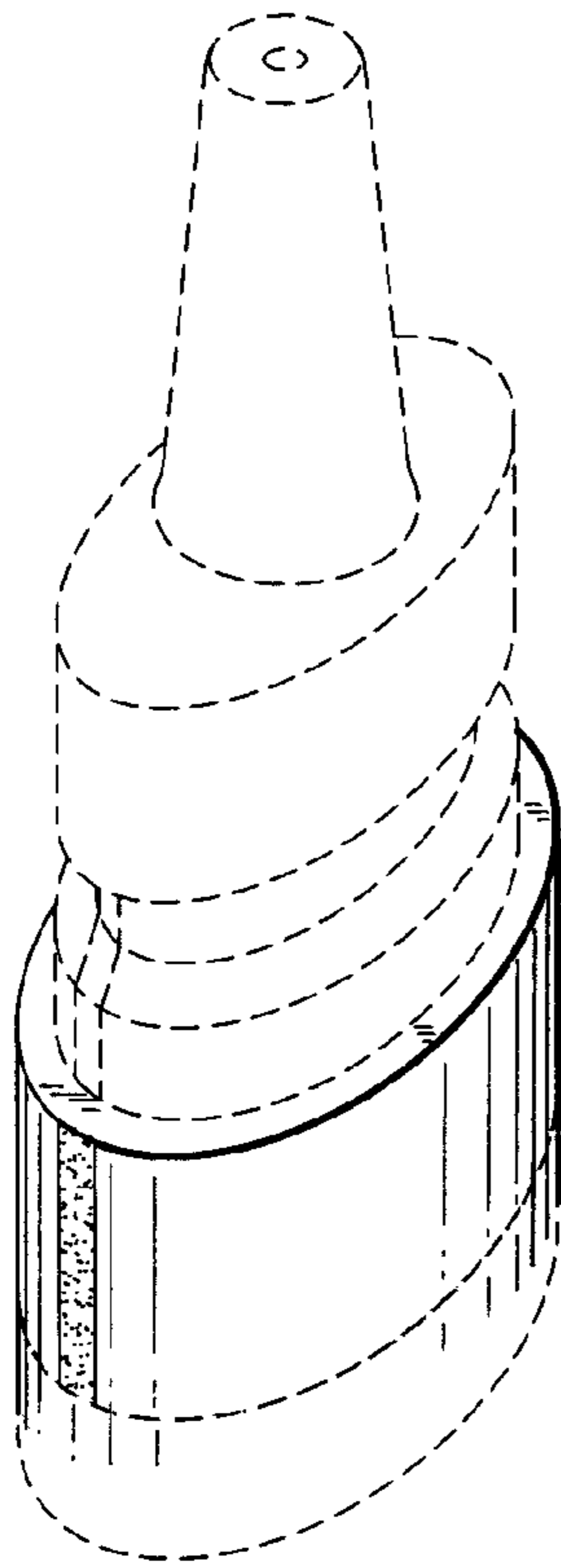


FIG. 1

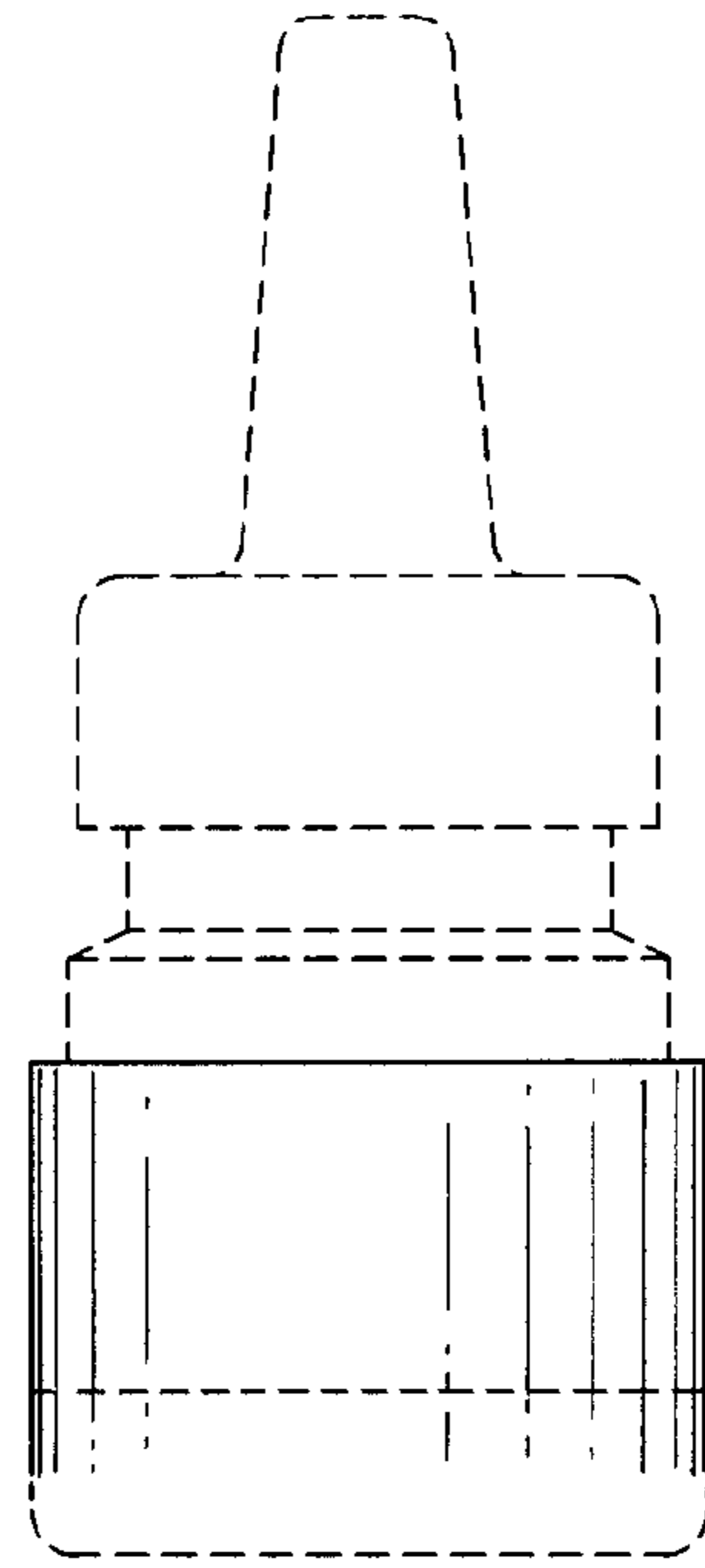


FIG. 2

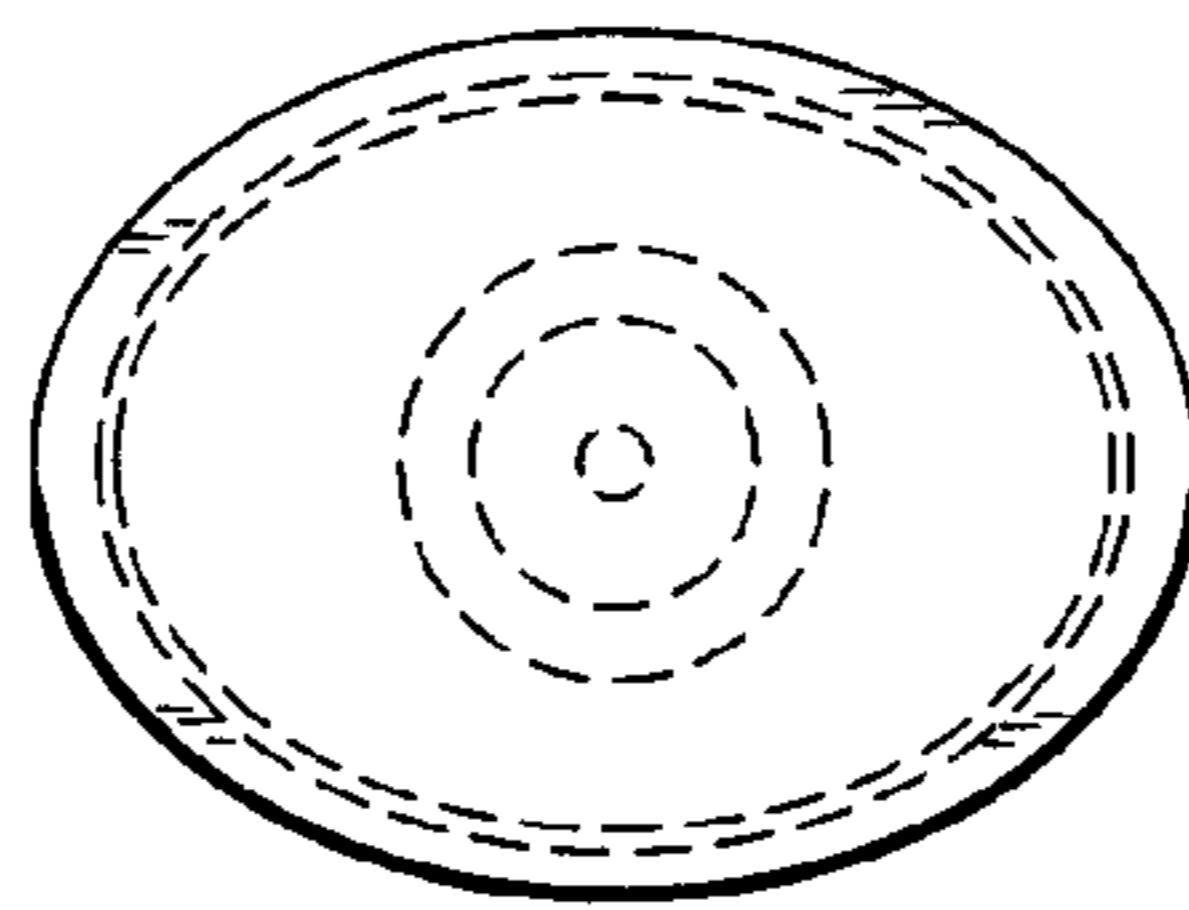


FIG. 4

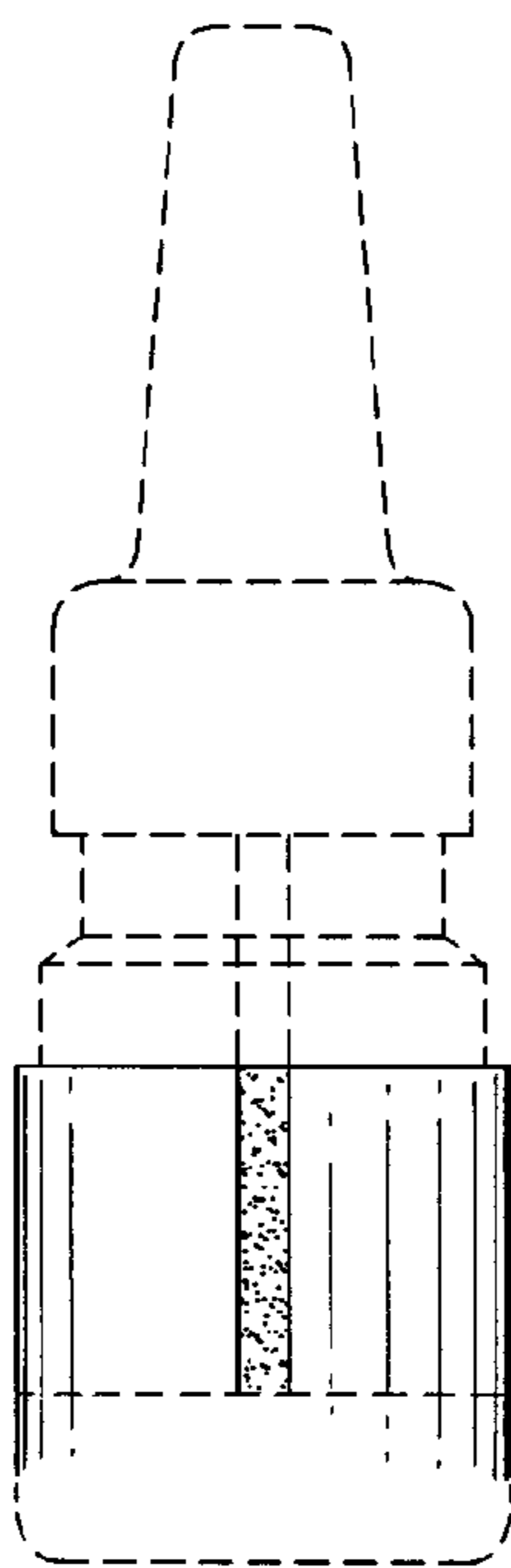


FIG. 3

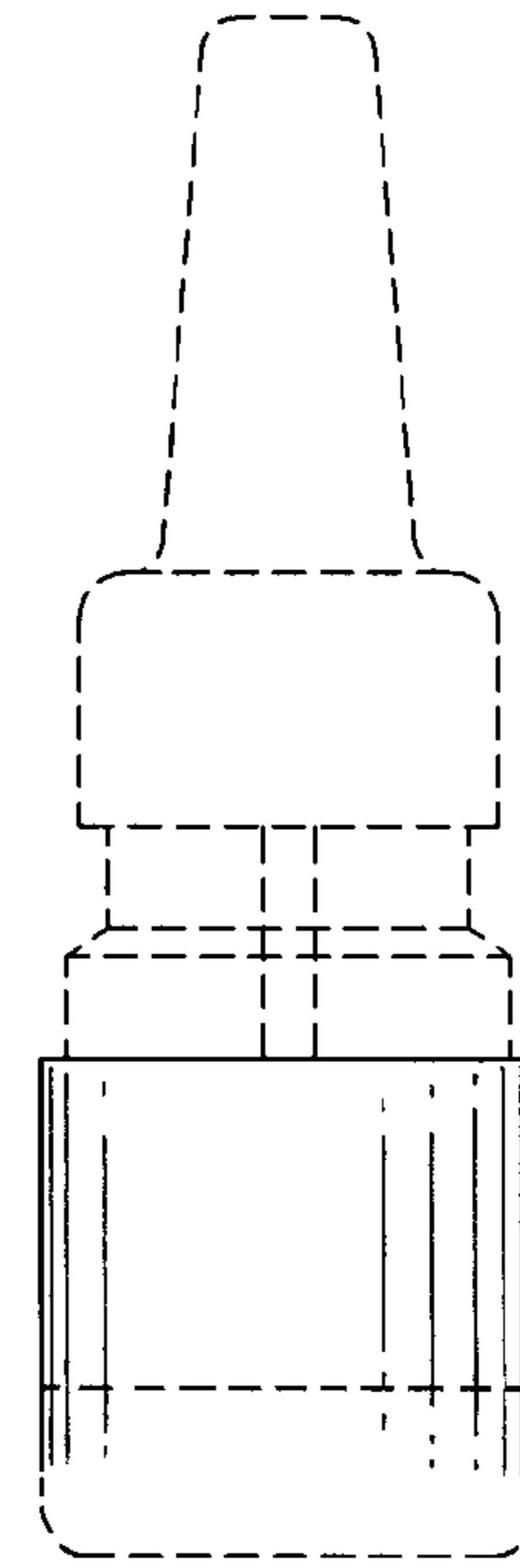


FIG. 5

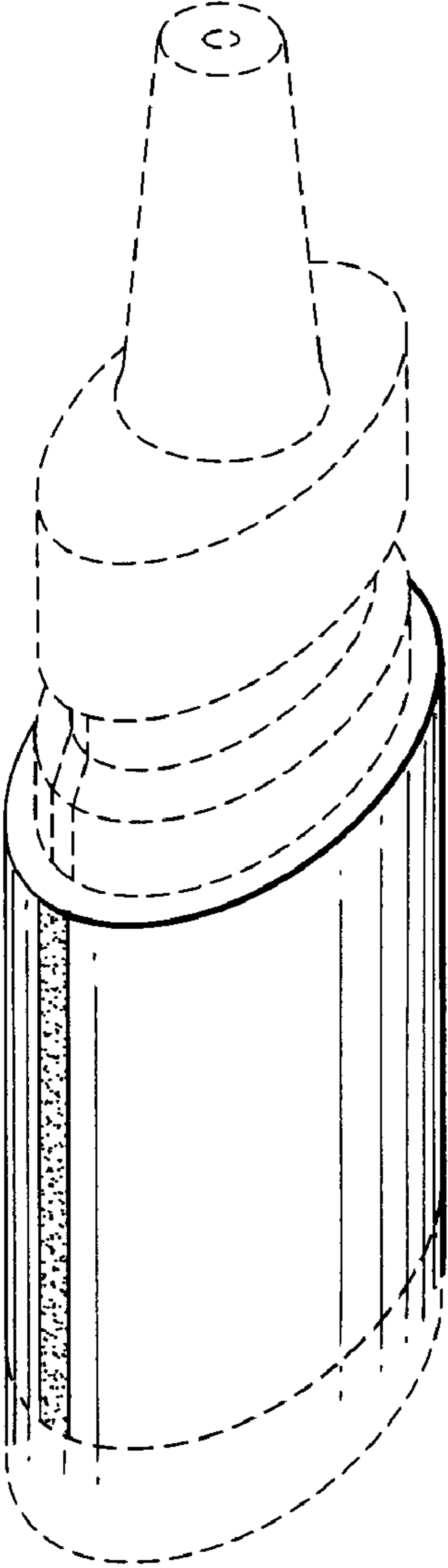


FIG. 6

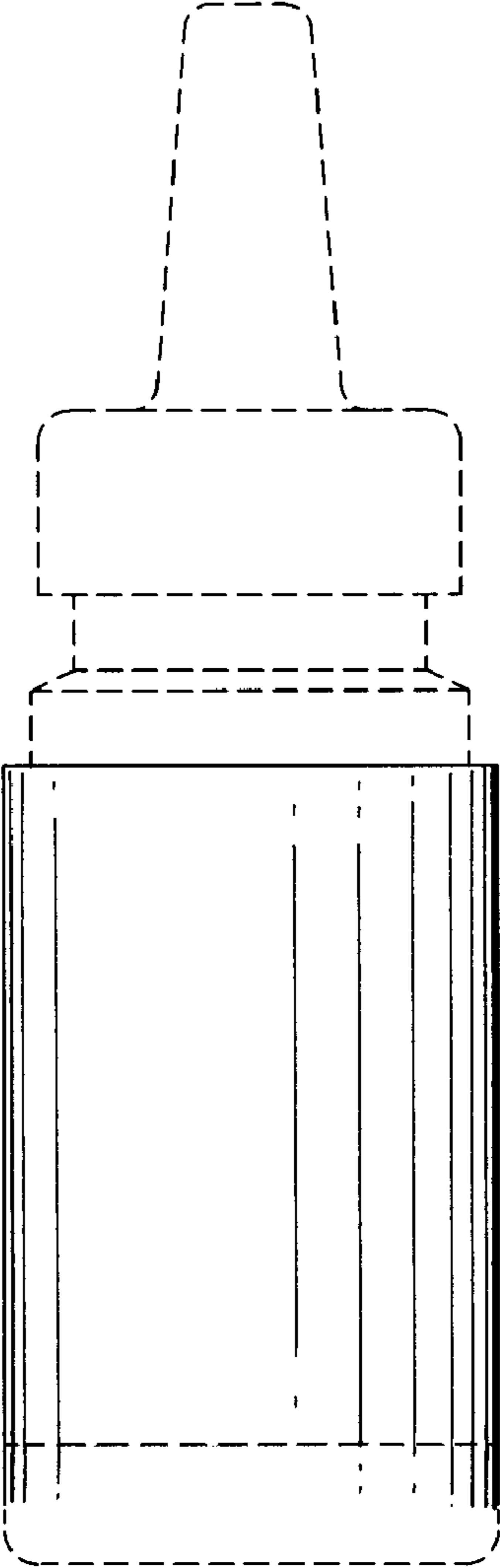


FIG. 7

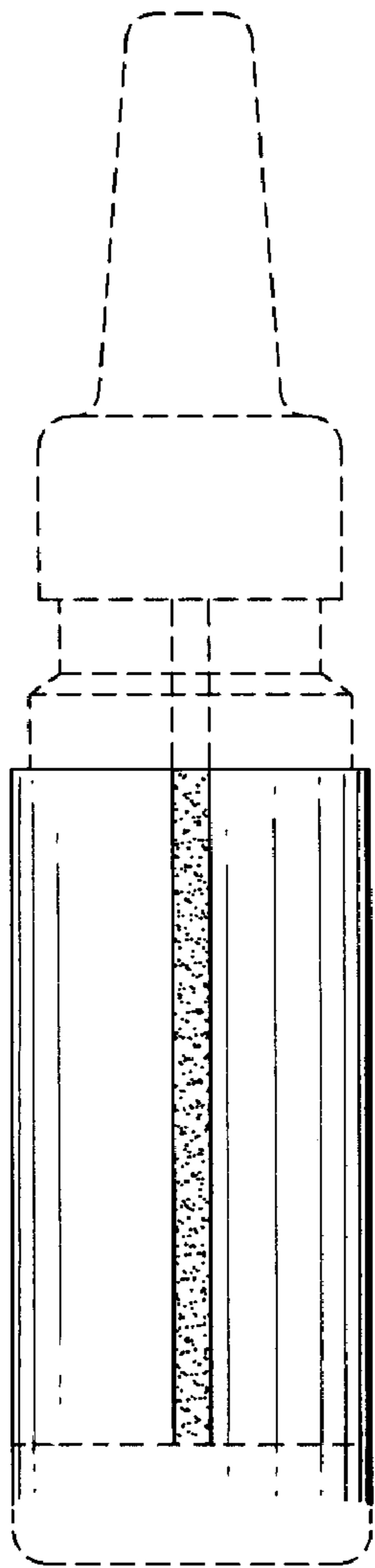


FIG. 8

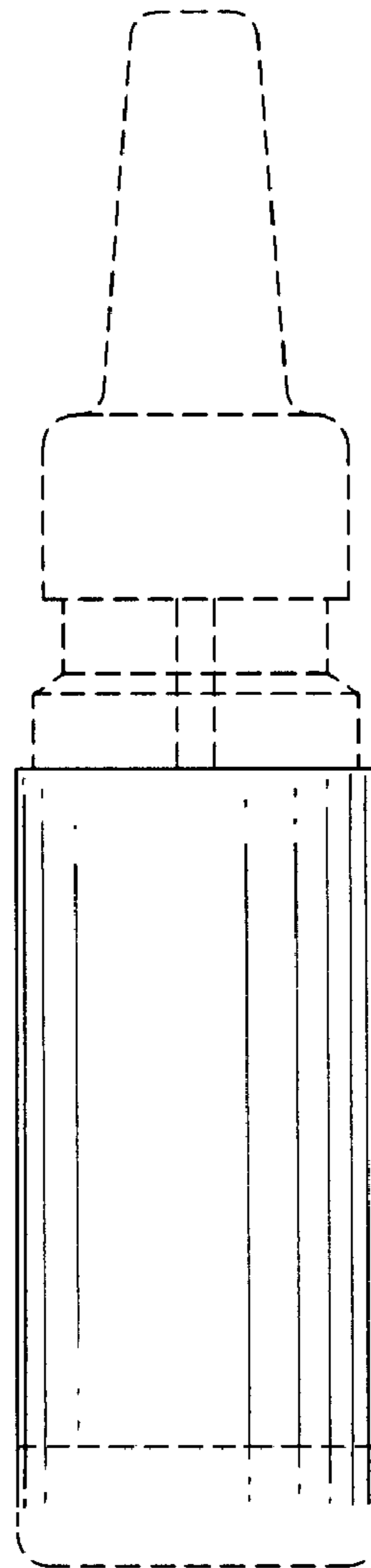


FIG. 9