



US00D607726S

(12) **United States Design Patent**
Wisniewski

(10) **Patent No.:** **US D607,726 S**
(45) **Date of Patent:** **** Jan. 12, 2010**

(54) **CLOSURE**

(75) Inventor: **John M. Wisniewski**, Wauwatosa, WI
(US)

(73) Assignee: **Seaquist Closures L.L.C.**, Mukwonago,
WI (US)

(**) Term: **14 Years**

(21) Appl. No.: **29/313,954**

(22) Filed: **Feb. 20, 2009**

(51) **LOC (9) Cl.** **09-07**

(52) **U.S. Cl.** **D9/449; D9/454**

(58) **Field of Classification Search** D9/556,
D9/529, 454, 453, 452, 449, 443, 439, 504,
D9/450, 447, 446, 730-732, 435; D8/312;
D7/392.1; D23/261; D14/217; D12/197;
229/123.1; 222/541.2, 575, 566, 556, 552,
222/519, 494, 480, 479, 212, 565; 220/288,
220/810, 781; 215/350, 344, 295, 270, 256,
215/252, 218, 216, 209, 206, 235, 236, 331,
215/220; 206/534; 116/308-315

See application file for complete search history.

(56) **References Cited**

U.S. PATENT DOCUMENTS

- D276,597 S * 12/1984 Harris D9/435
- D317,869 S * 7/1991 Kipperman et al. D9/446
- 5,145,080 A 9/1992 Imbery, Jr.
- 5,271,531 A 12/1993 Rohr et al.
- D348,840 S * 7/1994 Kuzma D9/575
- D367,605 S * 3/1996 Moore D9/686
- D373,728 S * 9/1996 Moore D9/448
- D376,320 S * 12/1996 Lathrop et al. D9/558
- 6,039,224 A * 3/2000 Dallas et al. 222/565
- D423,361 S * 4/2000 Negre D9/521
- D424,422 S * 5/2000 Landhed D9/521
- D433,333 S * 11/2000 Kokenge et al. D9/449
- 6,321,923 B1 * 11/2001 Wood 215/235
- D461,718 S * 8/2002 Brozell D9/529
- 6,431,381 B1 8/2002 Randall
- D486,400 S * 2/2004 Bakic D9/558

- D489,257 S * 5/2004 Braaten et al. D9/444
- D489,258 S * 5/2004 Hollmann et al. D9/444
- D489,504 S * 5/2004 Lin D34/11
- D504,611 S * 5/2005 Bakic D9/446
- D513,987 S * 1/2006 Bansal D9/449
- D521,381 S 5/2006 Hicks et al.
- D522,363 S 6/2006 Hicks et al.
- D525,136 S * 7/2006 Bakic D9/522
- D526,195 S * 8/2006 Jelich et al. D9/449
- D526,562 S * 8/2006 Jelich et al. D9/435
- D527,641 S * 9/2006 Bakic D9/529
- D527,999 S * 9/2006 Jelich et al. D9/449

(Continued)

FOREIGN PATENT DOCUMENTS

GB 2029252 8/1992

(Continued)

OTHER PUBLICATIONS

Seaquist Closures advertising sheet (one side) entitled "Orient your package with our new snap-on Tube Tops".

(Continued)

Primary Examiner—Susan Bennett Hattan
(74) *Attorney, Agent, or Firm*—Wood, Phillips, Katz, Clark & Mortimer

(57) **CLAIM**

The ornamental design for a closure, as shown and described.

DESCRIPTION

FIG. 1 is a front isometric view of a closure showing our new design;

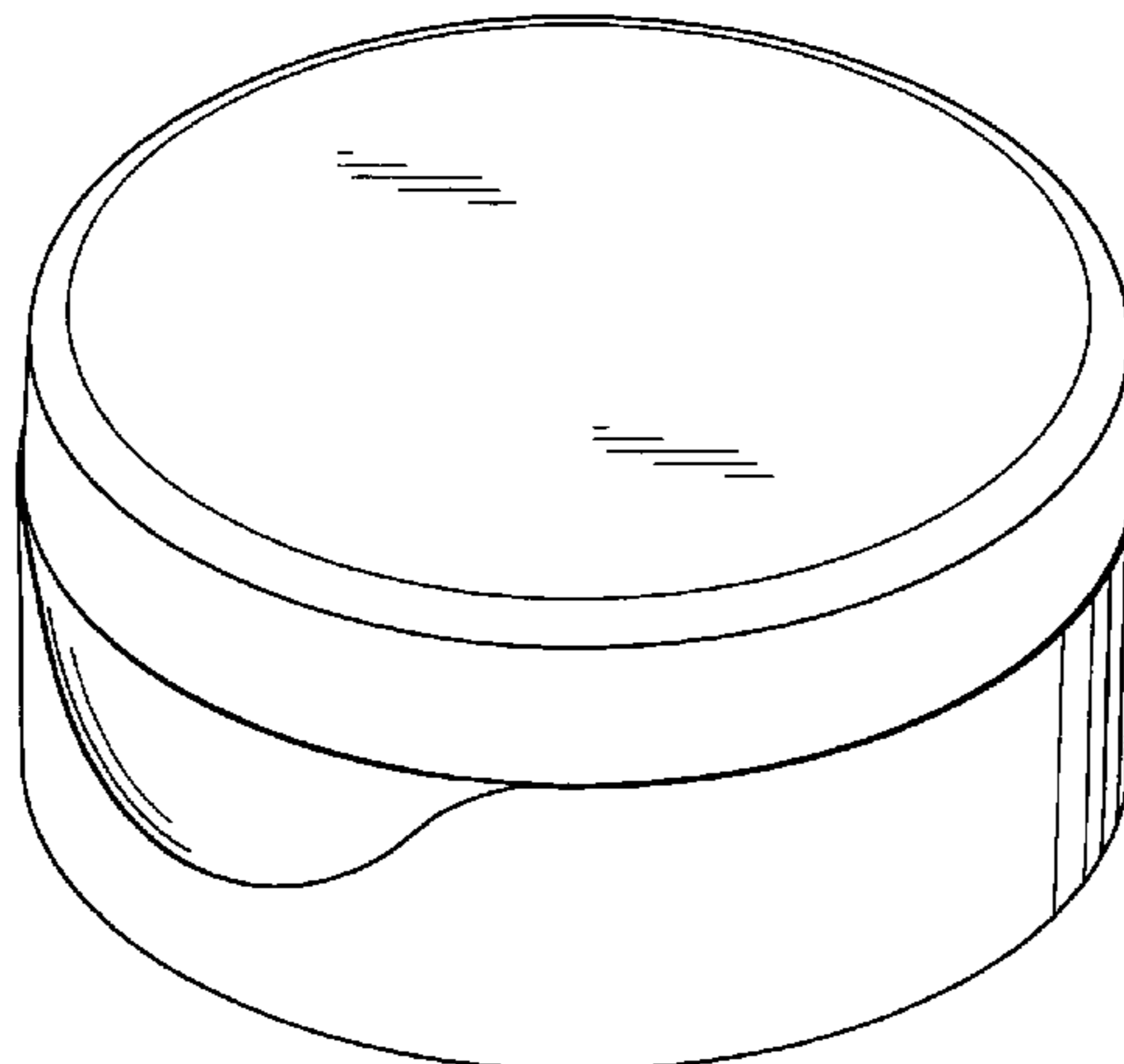
FIG. 2 is a top view thereof;

FIG. 3 is a front elevational view thereof;

FIG. 4 is a rear elevational view thereof; and,

FIG. 5 is a right side elevational view thereof, the left side elevational view thereof being a mirror image.

1 Claim, 2 Drawing Sheets



U.S. PATENT DOCUMENTS

| | | | | | | |
|----------|---|---|---------|-----------------------------|-------|----------|
| D528,005 | S | * | 9/2006 | Bakic | | D9/529 |
| D529,388 | S | * | 10/2006 | Bakic | | D9/529 |
| D529,393 | S | * | 10/2006 | Bakic | | D9/574 |
| D529,802 | S | * | 10/2006 | Jelich et al. | | D9/449 |
| D529,810 | S | * | 10/2006 | Davies et al. | | D9/529 |
| D529,811 | S | * | 10/2006 | Ratzlaff | | D9/529 |
| D529,812 | S | * | 10/2006 | Ratzlaff | | D9/529 |
| D530,204 | S | * | 10/2006 | Zaidman | | D9/449 |
| D534,426 | S | * | 1/2007 | Bakic | | D9/449 |
| D536,975 | S | | 2/2007 | Smith et al. | | |
| D538,162 | S | * | 3/2007 | Smith | | D9/449 |
| D539,144 | S | * | 3/2007 | Penfold et al. | | D9/449 |
| D546,695 | S | * | 7/2007 | Penfold et al. | | D9/529 |
| D547,606 | S | * | 7/2007 | Forsman | | D7/396.2 |
| D574,712 | S | * | 8/2008 | Bakic | | D9/522 |
| D576,494 | S | * | 9/2008 | Bakic | | D9/529 |
| D576,875 | S | * | 9/2008 | Steiger et al. | | D9/449 |
| D579,328 | S | * | 10/2008 | Ribadeneira Mejia et al. | | D9/442 |
| D584,148 | S | * | 1/2009 | Stolle | | D9/449 |
| D584,159 | S | * | 1/2009 | Domoy et al. | | D9/558 |
| D585,289 | S | * | 1/2009 | Toh | | D9/529 |
| D585,739 | S | * | 2/2009 | Dombrowski et al. | | D9/449 |
| D588,913 | S | * | 3/2009 | Bakic | | D9/435 |
| D589,796 | S | * | 4/2009 | McGeough | | D9/449 |

| | | | | | | |
|--------------|----|---|--------|---------|-------|---------|
| D594,747 | S | * | 6/2009 | Moretti | | D9/449 |
| 2005/0173366 | A1 | * | 8/2005 | Baudin | | 215/235 |

FOREIGN PATENT DOCUMENTS

WO DM/063106 DE 2/2003

OTHER PUBLICATIONS

Seaquist Closures advertising sheet (one side) entitled "Seaquist Closures Line of Oval Closures".
 Seaquist Closures advertising sheet (one side) entitled "Seaquist Perfect Dispensing Solution for Tubes, Bottles & Other Inverted Packages".
 Seaquist Closures advertising sheet (two sides) entitled "Frost™ A cool new way to make your products hot".
 Seaquist Closures advertising sheet (one side) entitled "Add 'Purity' to your package!".
 Seaquist Closures advertising sheet (two sides) entitled "Horizon™ a new line of infinite choices".
 Co-pending U.S. Appl. No. 12/077,664, filed Apr. 24, 2008 and owned by Seaquist Closures L.L.C.
 Co-pending U.S. Appl. No. 29/313,953, filed Feb. 20, 2009 and owned by Seaquist Closures L.L.C.
 Co-pending U.S. Appl. No. 29/313,951, filed Feb. 20, 2009 and owned by Seaquist Closures L.L.C.

* cited by examiner

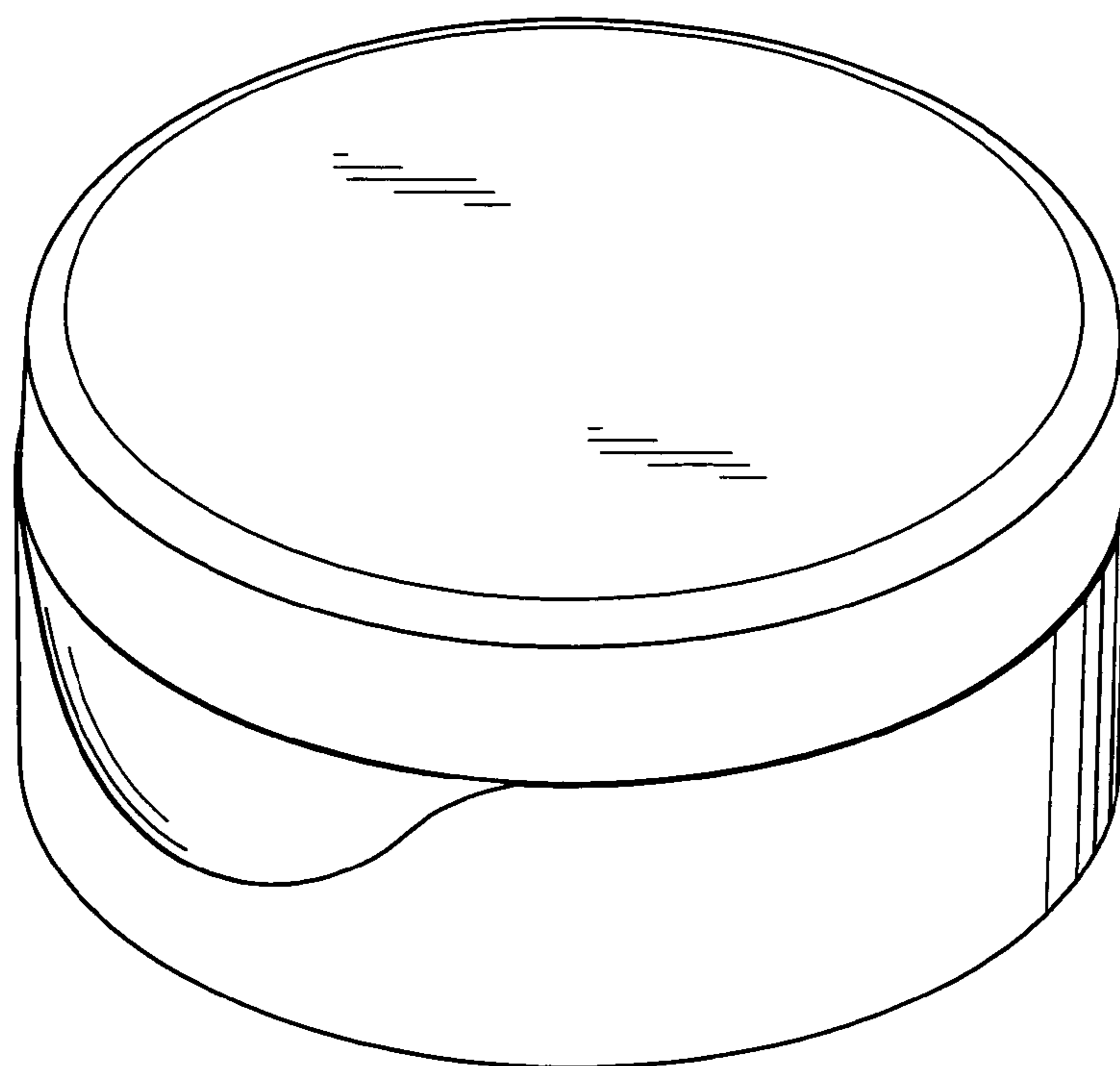


FIG. 1

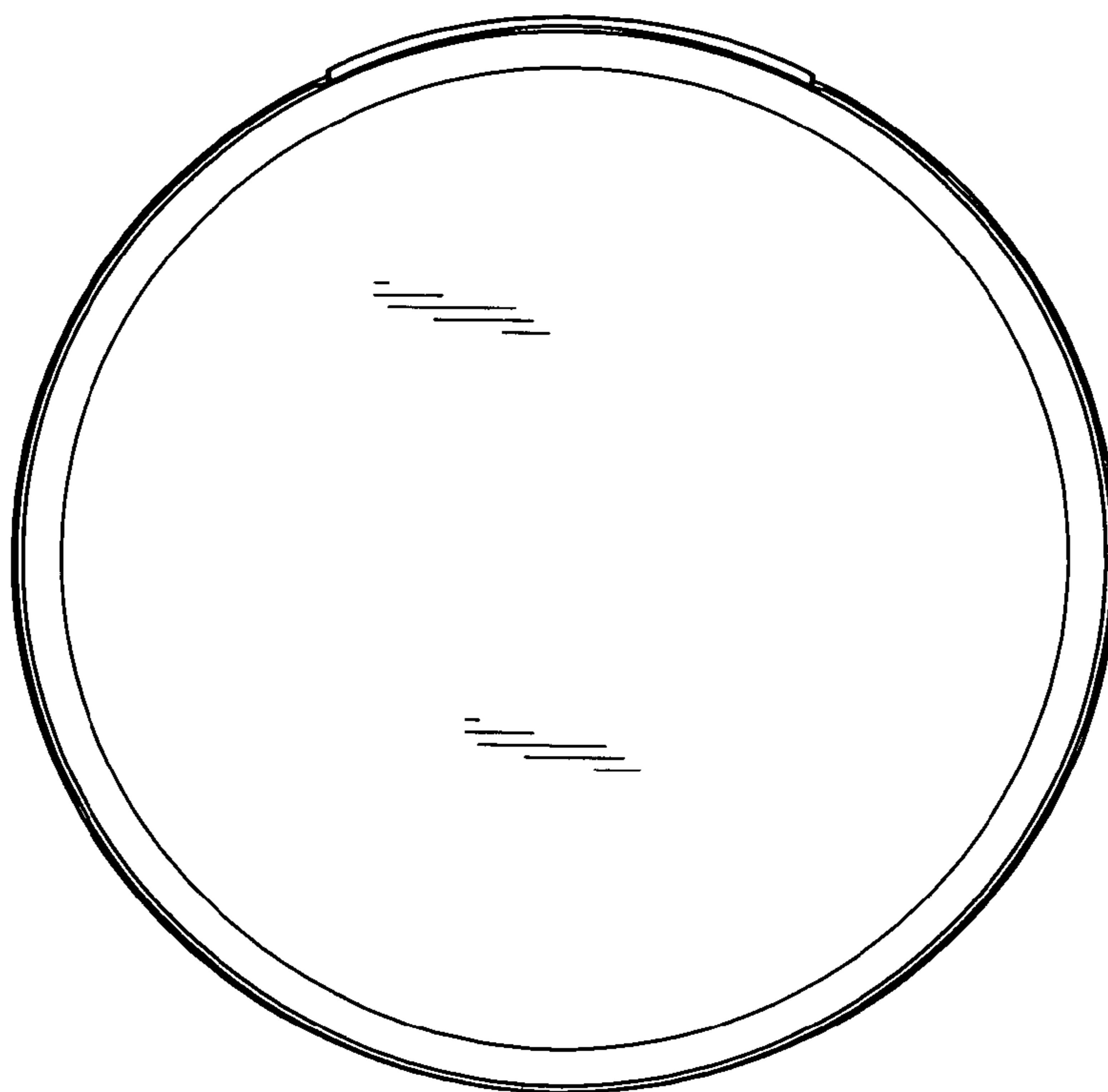


FIG. 2

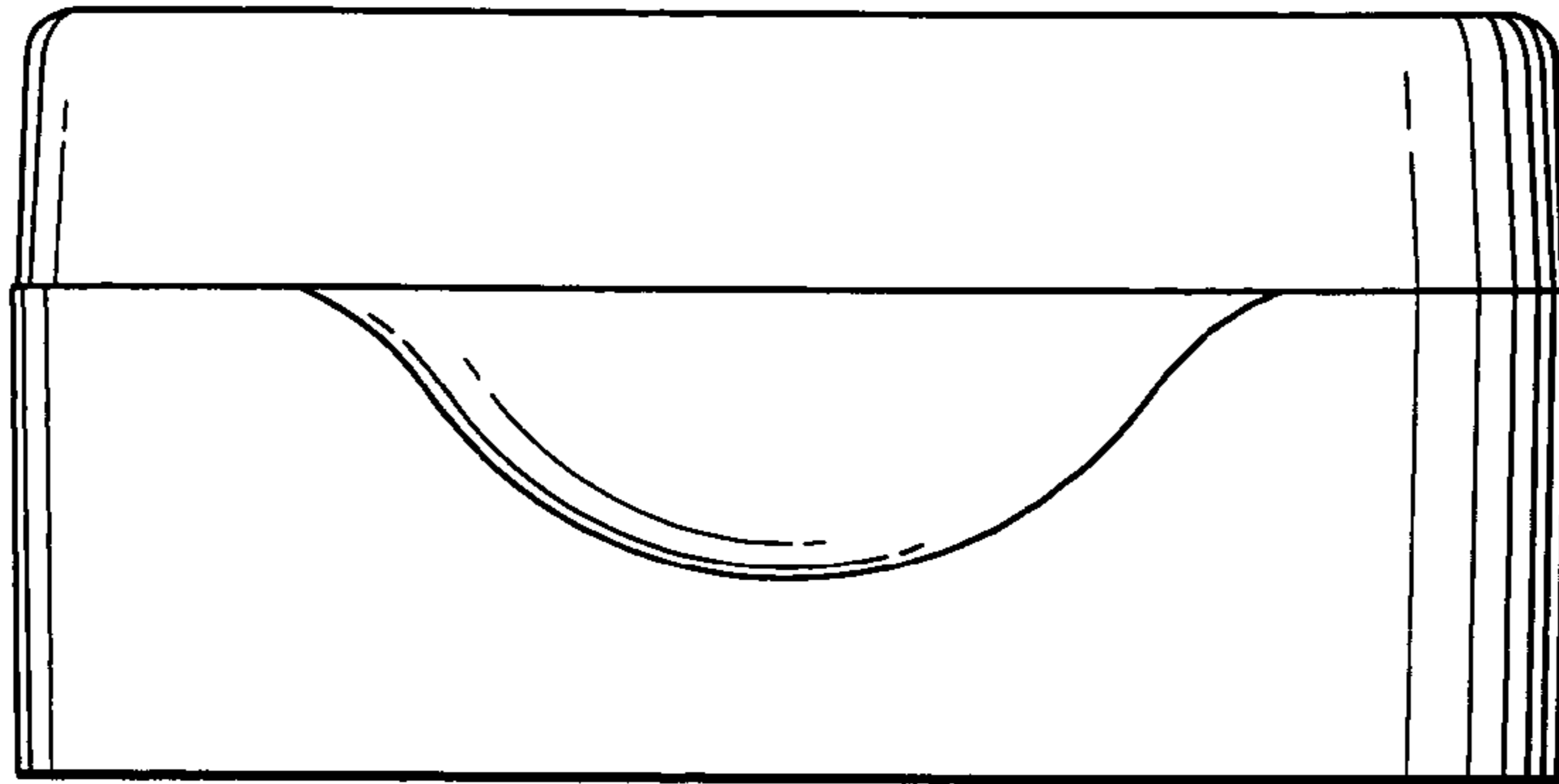


FIG. 3

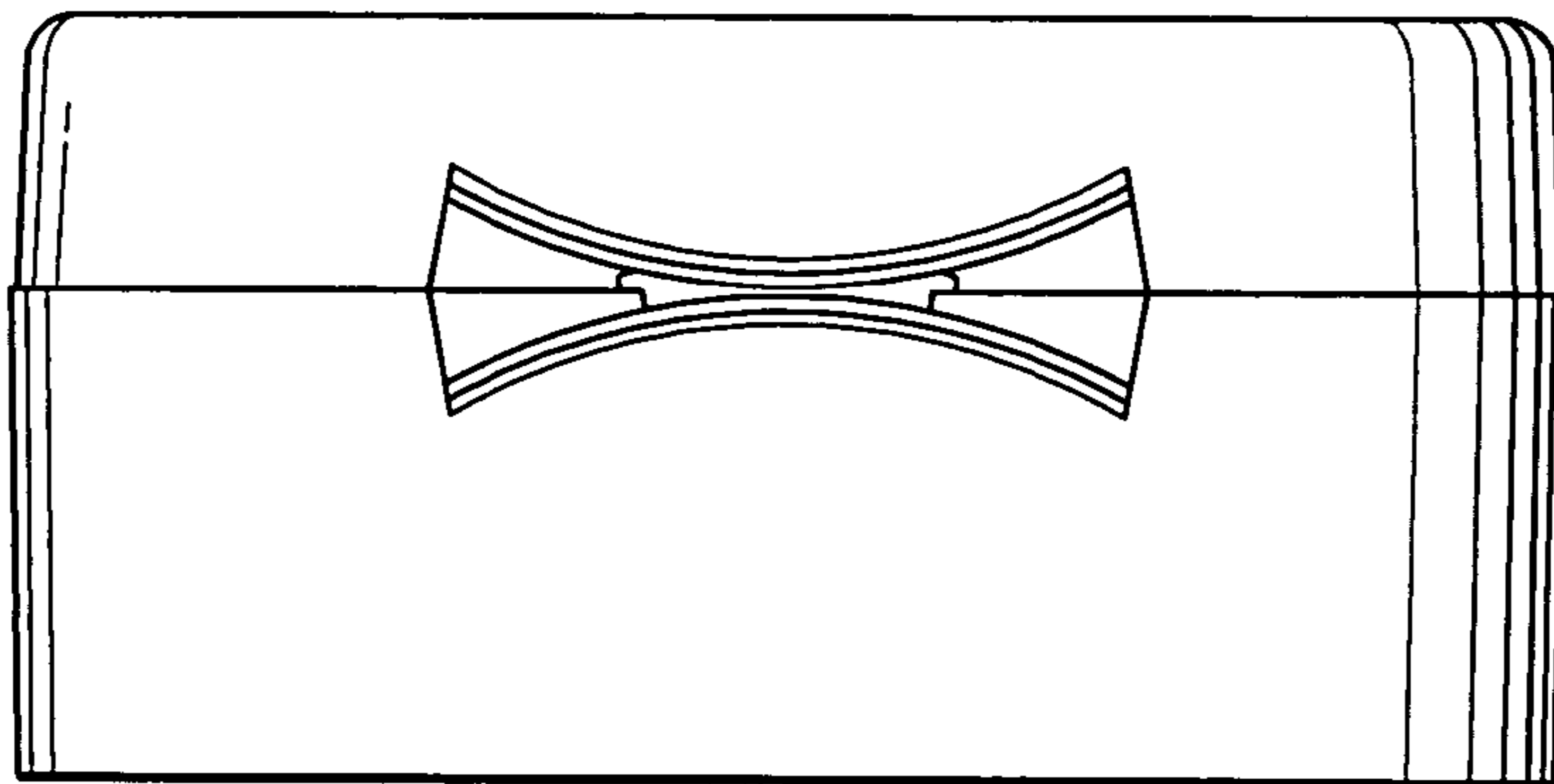


FIG. 4

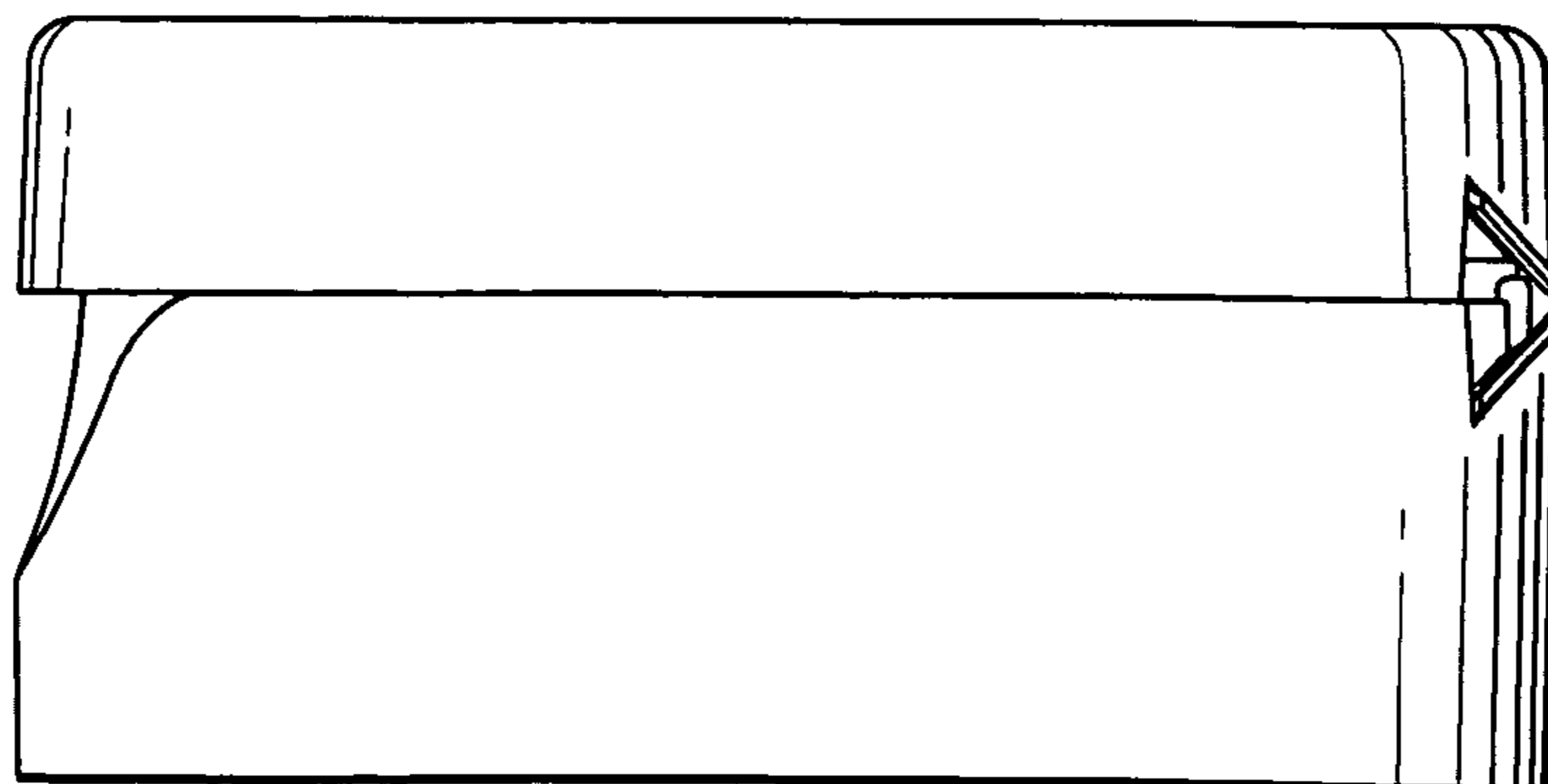


FIG. 5