



US00D607722S

(12) **United States Design Patent**
Masotti et al.

(10) **Patent No.:** **US D607,722 S**
(45) **Date of Patent:** **** Jan. 12, 2010**

(54) **CONTAINER FOR FOOD PRODUCTS**
(75) Inventors: **Valentina Masotti**, Parma (IT); **Pernilla Danielsson**, Munich (DE); **Ana Chang**, Munich (DE); **Leif Huff**, Munich (DE); **Jan Schröder**, Munich (DE); **Sabine Vögler**, Munich (DE)
(73) Assignee: **Barilla G.E.R. Fratelli S.p.A.**, Parma (IT)

2,681,142 A * 6/1954 Cohen 206/522
D314,336 S * 2/1991 Madda D9/426
D314,690 S * 2/1991 Kiyokane D7/539
D344,660 S * 3/1994 Krupa D7/629
D373,954 S * 9/1996 Wolff D9/429
D375,549 S * 11/1996 Sauer D24/101
5,878,656 A * 3/1999 Fletcher et al. 99/340
D447,917 S * 9/2001 Miller et al. D7/629
D508,378 S * 8/2005 Bertulis D7/629
D518,955 S * 4/2006 Van Dam et al. D3/276

(**) Term: **14 Years**
(21) Appl. No.: **29/321,366**

(22) Filed: **Jul. 15, 2008**

(30) **Foreign Application Priority Data**
Jan. 15, 2008 (EM) 000858360

(51) **LOC (9) Cl.** **09-03**
(52) **U.S. Cl.** **D9/424**
(58) **Field of Classification Search** D9/424,
D9/414, 416, 417, 418, 425, 426, 428, 430,
D9/432, 499, 504; D1/120, 127; D3/201;
D7/213, 539, 601, 602, 608, 629; D24/101,
D24/102; 206/216, 522, 775, 815, 822; 220/4.21,
220/4.24, 4.26, 4.27, 62.13, 376, 556, 675;
229/108, 406, 407

See application file for complete search history.

(56) **References Cited**
U.S. PATENT DOCUMENTS
D59,910 S * 12/1921 Noble D24/101

* cited by examiner

Primary Examiner—Prabhakar Deshmukh
Assistant Examiner—Derrick Holland
(74) *Attorney, Agent, or Firm*—Lucas & Mercanti, LLP

(57) **CLAIM**

The ornamental design for a container for food products, as shown and described.

DESCRIPTION

FIG. 1 is a perspective view of a container for food products showing our new design;

FIG. 2 is a side view thereof; and,

FIG. 3 is a top view thereof.

1 Claim, 3 Drawing Sheets

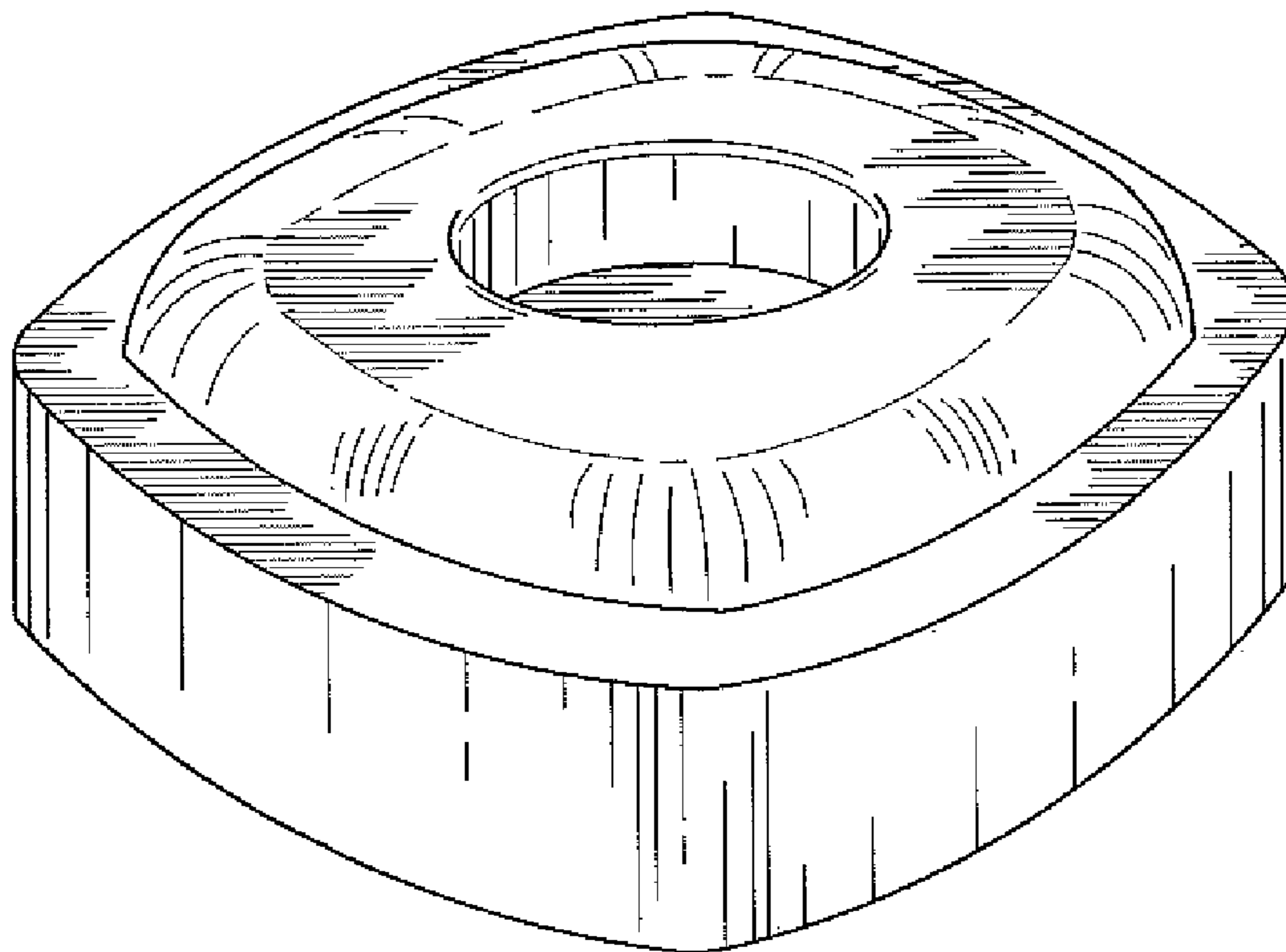


FIG. 1

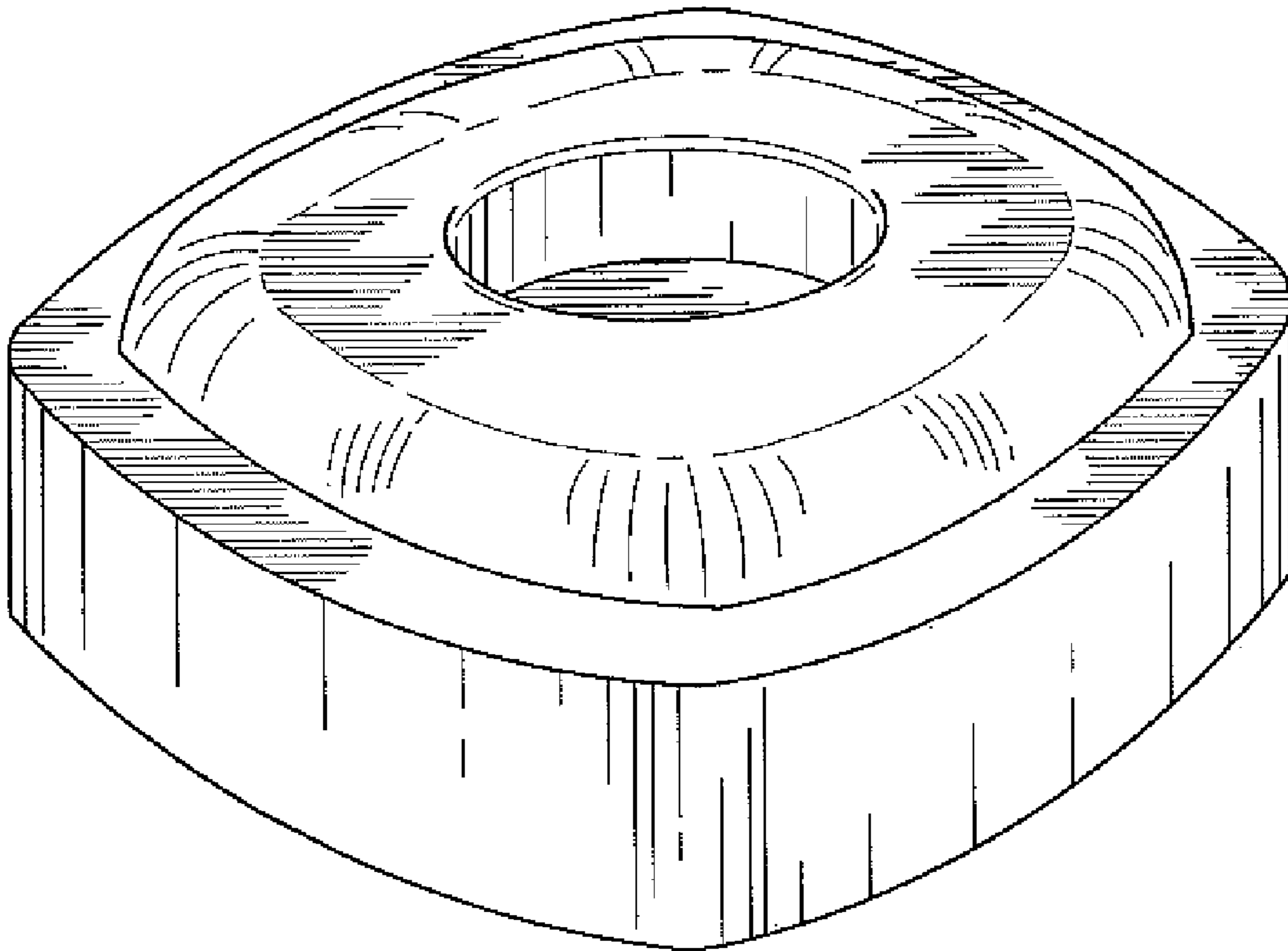


FIG. 2

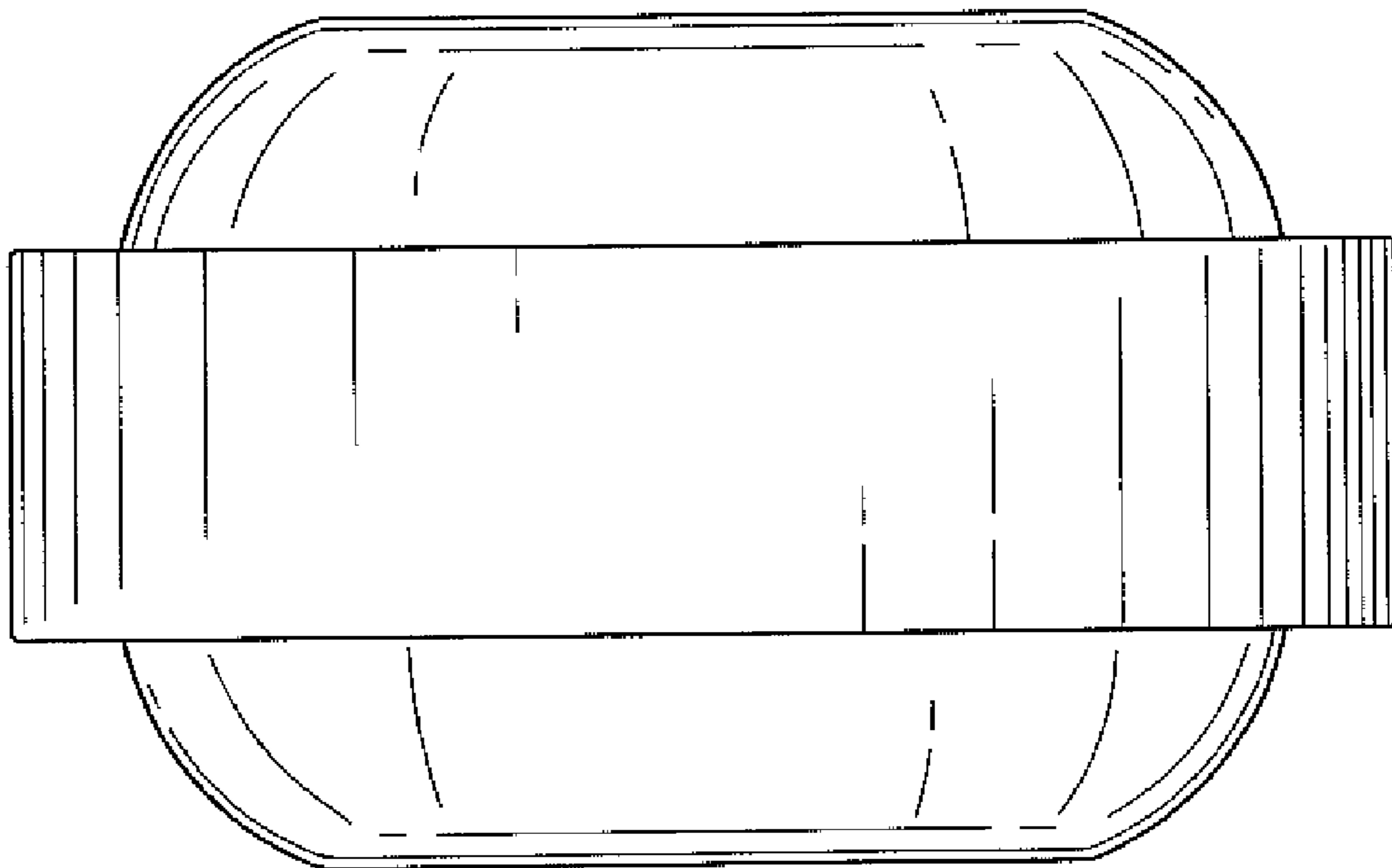


FIG. 3

