



US00D607719S

(12) **United States Design Patent**
Masotti et al.

(10) **Patent No.:** **US D607,719 S**
(45) **Date of Patent:** **** Jan. 12, 2010**

(54) **CONTAINER FOR FOOD PRODUCTS**

(75) Inventors: **Valentina Masotti**, Parma (IT); **Pernilla Danielsson**, Munich (DE); **Anna Chang**, Munich (DE); **Leif Huff**, Munich (DE); **Jan Schröder**, Munich (DE); **Sabine Vögler**, Munich (DE)

(73) Assignee: **Barilla G.E R. Fratelli S.p.A.**, Parma (IT)

(**) Term: **14 Years**

(21) Appl. No.: **29/321,354**

(22) Filed: **Jul. 15, 2008**

(30) **Foreign Application Priority Data**

Jan. 15, 2008 (EM) 000858360

(51) **LOC (9) Cl.** **09-03**

(52) **U.S. Cl.** **D9/424**

(58) **Field of Classification Search** D9/424,
D9/414, 416, 417, 418, 425, 426, 428, 430,
D9/432, 499, 504; D1/120, 127; D3/201;
D7/213, 539, 584, 601, 602, 608, 629; D24/101,
D24/102; 206/216, 503, 504, 505, 509, 522,
206/775, 815, 822; 220/4.21, 4.24, 4.26,
220/4.27, 62.13, 376, 556, 574, 675; 229/108,
229/406, 407

See application file for complete search history.

(56) **References Cited**

U.S. PATENT DOCUMENTS

3,447,714 A * 6/1969 Elliot 206/1.5

3,452,896 A * 7/1969 Elliot 220/781
4,412,630 A * 11/1983 Daenen 220/792
D307,716 S * 5/1990 Fitzloff et al. D9/424
D355,814 S * 2/1995 VanValkenburg et al. D7/629
D367,589 S * 3/1996 Zimmerman D7/629
D380,965 S * 7/1997 Correll D9/430
D440,830 S * 4/2001 Tucker et al. D7/629
D449,165 S * 10/2001 van der Hulst D3/294
D490,278 S * 5/2004 Welsh D7/629

* cited by examiner

Primary Examiner—Prabhakar Deshmukh

Assistant Examiner—Derrick Holland

(74) *Attorney, Agent, or Firm*—Lucas & Mercanti, LLP

(57) **CLAIM**

The ornamental design for a container for food products, as shown and described.

DESCRIPTION

FIG. 1 is a perspective view of a container for food products showing our new design;

FIG. 2 is a side view thereof;

FIG. 3 is a bottom plan view thereof; and,

FIG. 4 is a top plan view thereof.

The broken lines are for environmental purposes only and form no part of the claimed design.

1 Claim, 4 Drawing Sheets

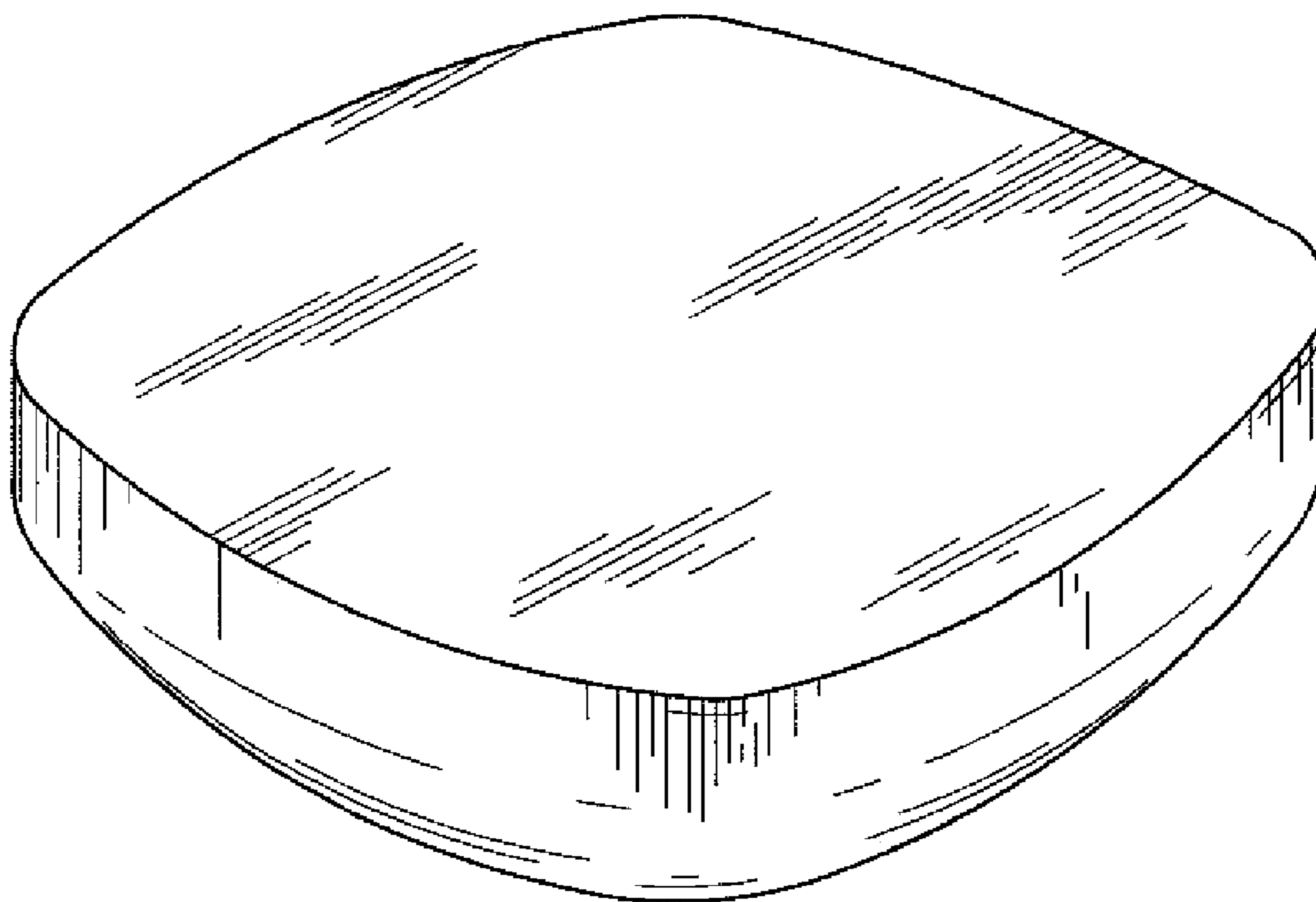


FIG. 1

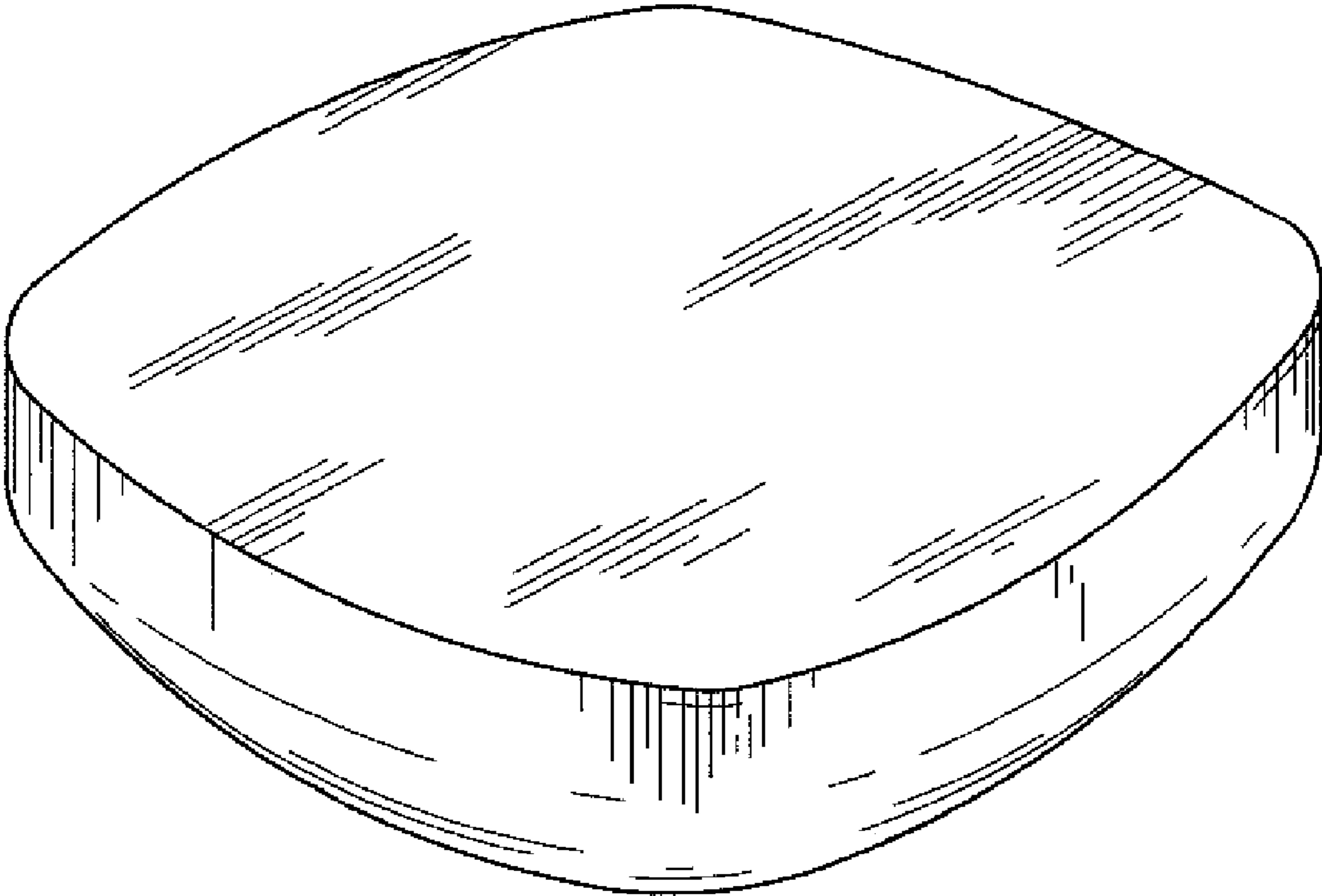


FIG. 2

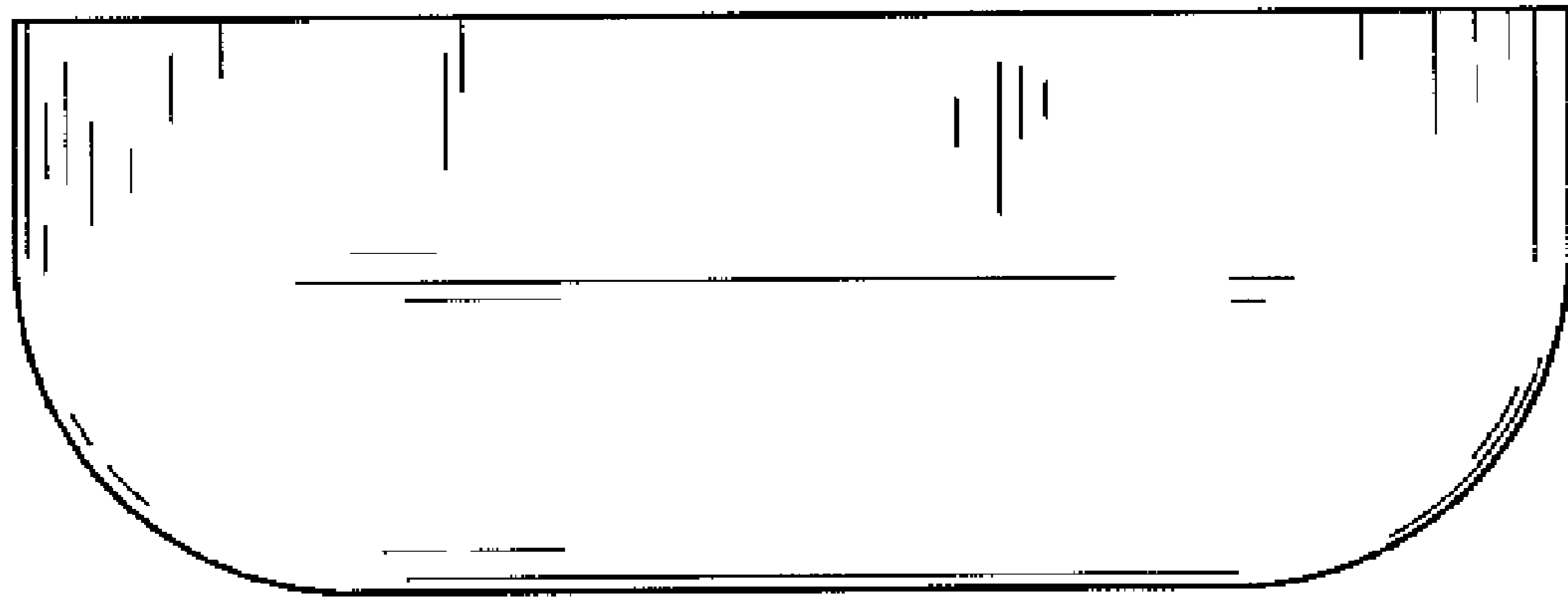


FIG. 3

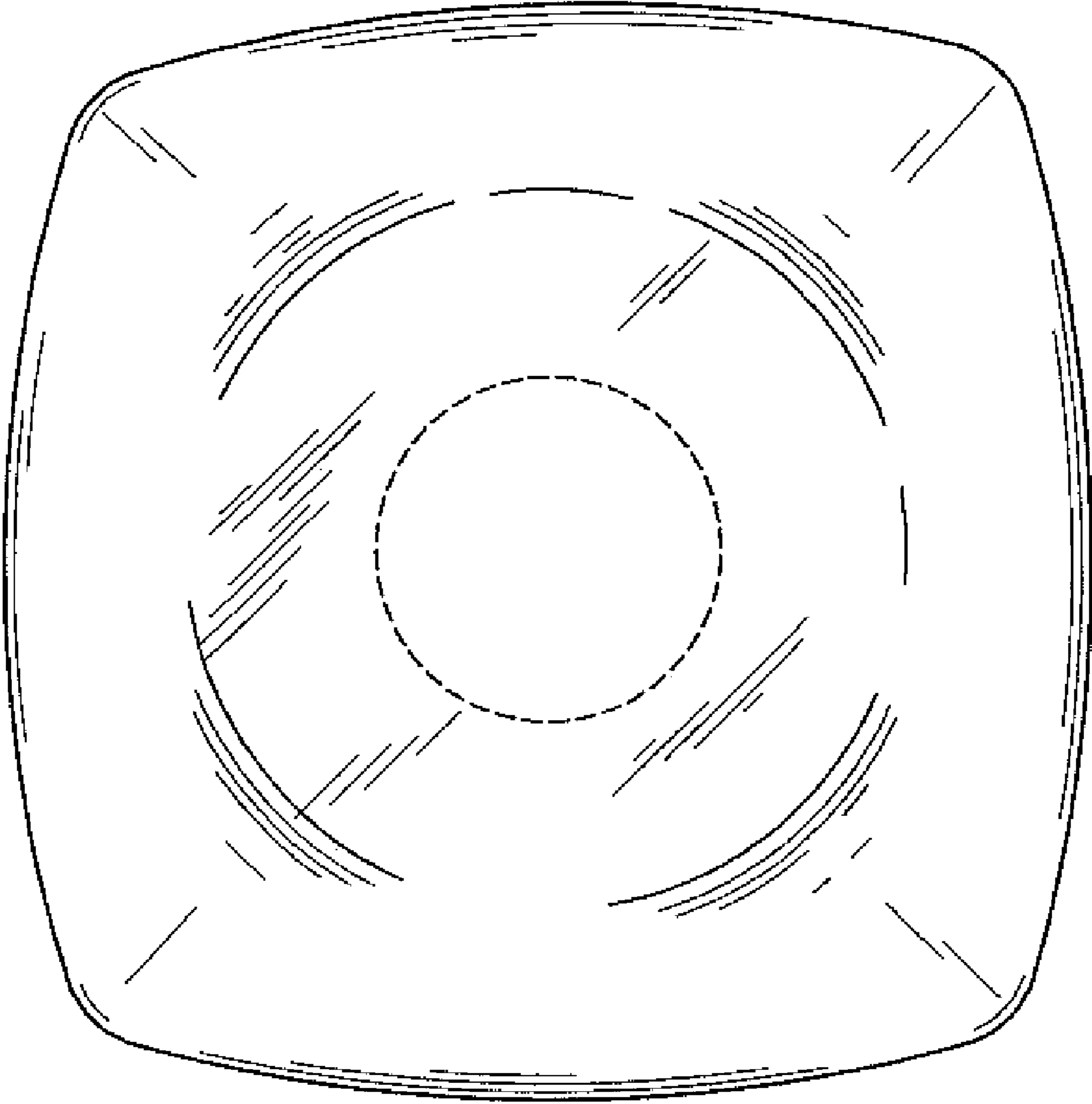


FIG. 4

