



US00D607717S

(12) **United States Design Patent**
Hodges

(10) **Patent No.:** **US D607,717 S**
(45) **Date of Patent:** **** Jan. 12, 2010**

(54) **PACKAGING**

(75) Inventor: **Paul Hodges**, London (GB)
(73) Assignee: **British American Tobacco (Investments) Limited**, London (GB)

(**) Term: **14 Years**

(21) Appl. No.: **29/331,087**

(22) Filed: **Jan. 20, 2009**

(30) **Foreign Application Priority Data**

Jul. 22, 2008 (WO) DM/070 429

(51) **LOC (9) Cl.** **09-03**

(52) **U.S. Cl.** **D9/423**

(58) **Field of Classification Search** D9/414,
D9/416, 420, 421, 423, 426, 430, 432; 206/236–241,
206/249–251, 254–259, 261–275; 229/160.1;
D27/185–192

See application file for complete search history.

(56) **References Cited**

U.S. PATENT DOCUMENTS

D492,815	S *	7/2004	Bray et al.	D27/189
6,786,331	B1 *	9/2004	Zucchini	206/232
D513,645	S *	1/2006	Bray et al.	D27/189
D519,673	S *	4/2006	Bray et al.	D27/189
D521,186	S *	5/2006	Shen	D27/189
D537,561	S *	2/2007	Counts et al.	D27/189
D591,899	S *	5/2009	Bray et al.	D27/189
D591,901	S *	5/2009	Tearle	D27/189
D591,902	S *	5/2009	Bray et al.	D27/189
2004/0256253	A1 *	12/2004	Henson et al.	206/242
2008/0087712	A1 *	4/2008	Hunt et al.	229/87.13

* cited by examiner

Primary Examiner—Daniel D Bui
Assistant Examiner—Thomas J Johannes
(74) *Attorney, Agent, or Firm*—Walter G. Hanchuk;
Chadbourne & Parke LLP

(57) **CLAIM**

The ornamental design for packaging, as shown and described.

DESCRIPTION

FIG. 1 provides an above front right perspective view showing the new design of packaging in a first partially open position;

FIG. 2 provides an above front right perspective view showing the new design of packaging in a closed position;

FIG. 3 provides an above front right perspective view showing the new design of packaging in a second partially open position;

FIG. 4 provides an above front right perspective view showing the new design of packaging in a third partially open position;

FIG. 5 provides an above front right perspective view showing the new design of packaging in a fully open position;

FIG. 6 provides a front view showing the new design of packaging in a closed position;

FIG. 7 provides an above view showing the new design of packaging in a closed position;

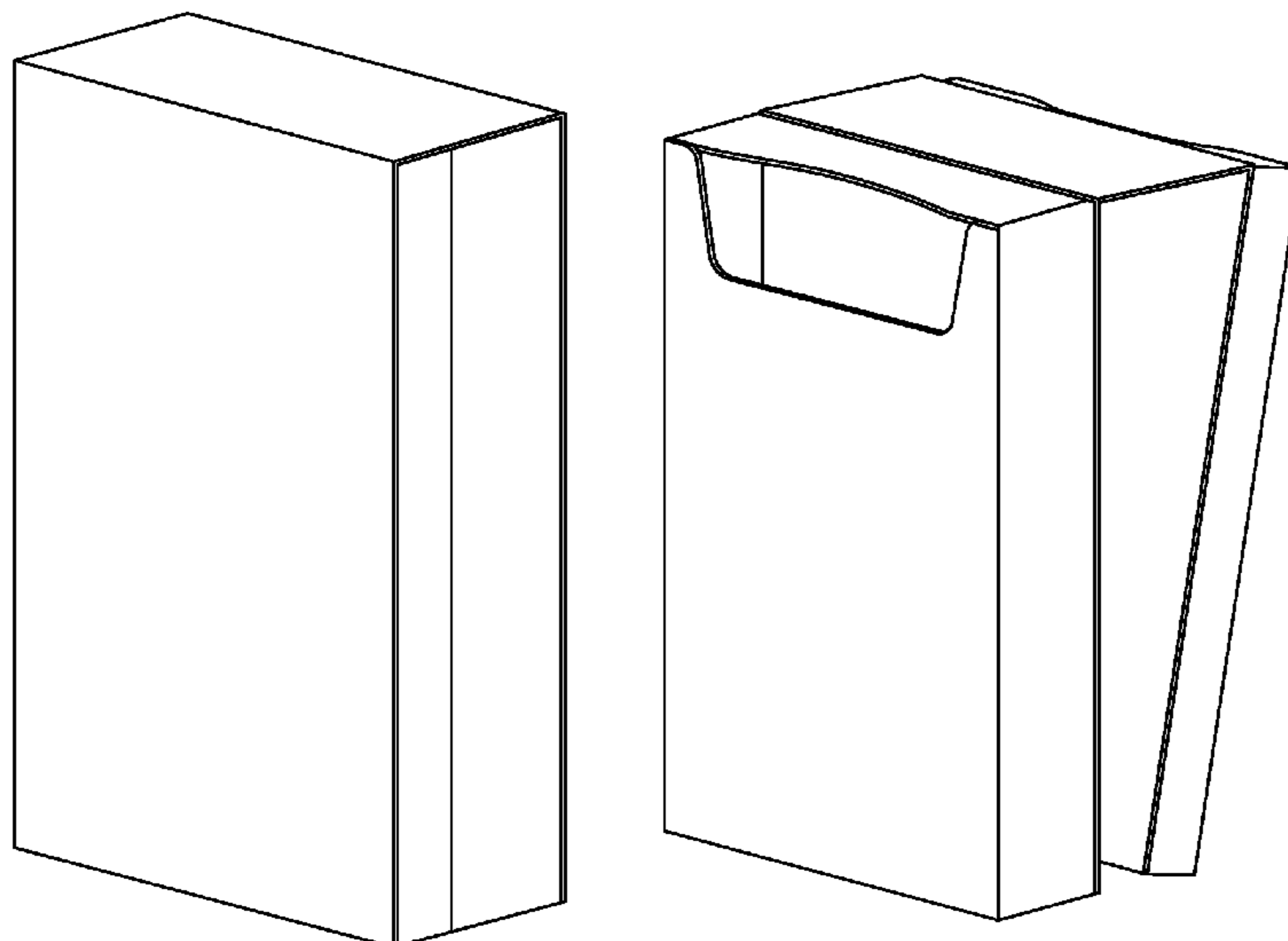
FIG. 8 provides a rear view showing the new design of packaging in a closed position;

FIG. 9 provides a right side view showing the new design of packaging in a closed position;

FIG. 10 provides a left side view showing the new design of packaging in a closed position; and,

FIG. 11 provides a bottom view showing the new design of packaging in a closed position.

1 Claim, 7 Drawing Sheets



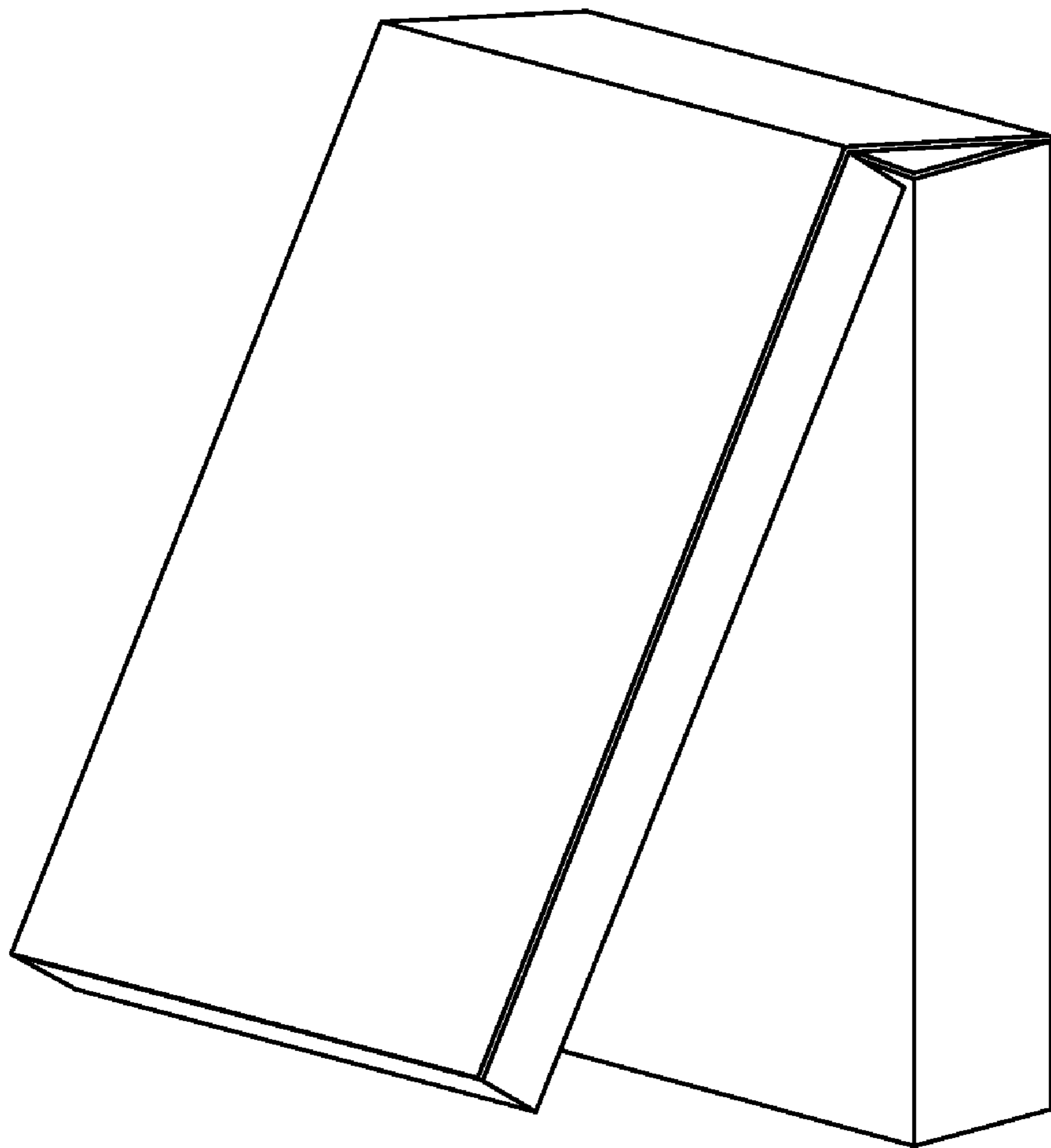


FIG. 1

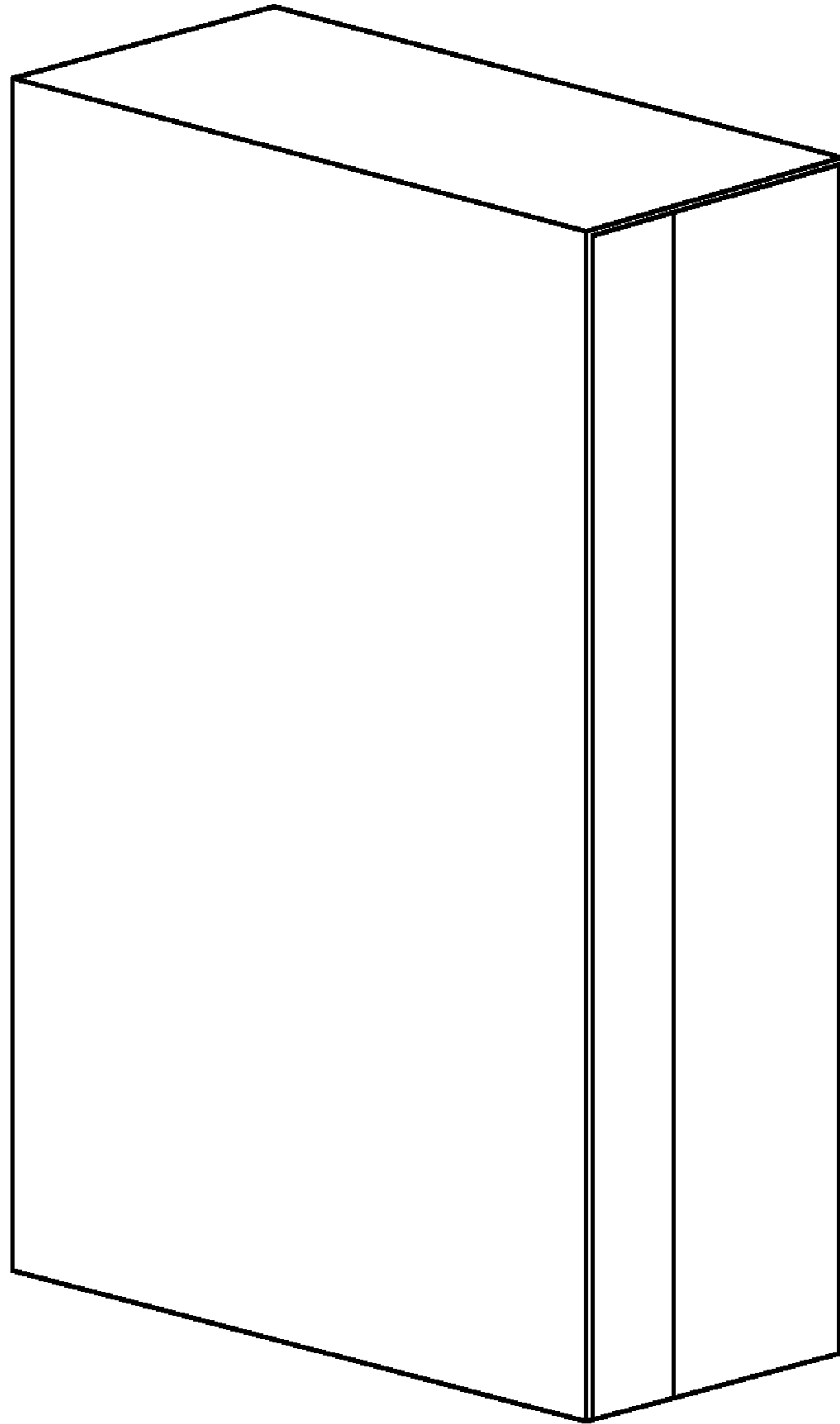


FIG.2

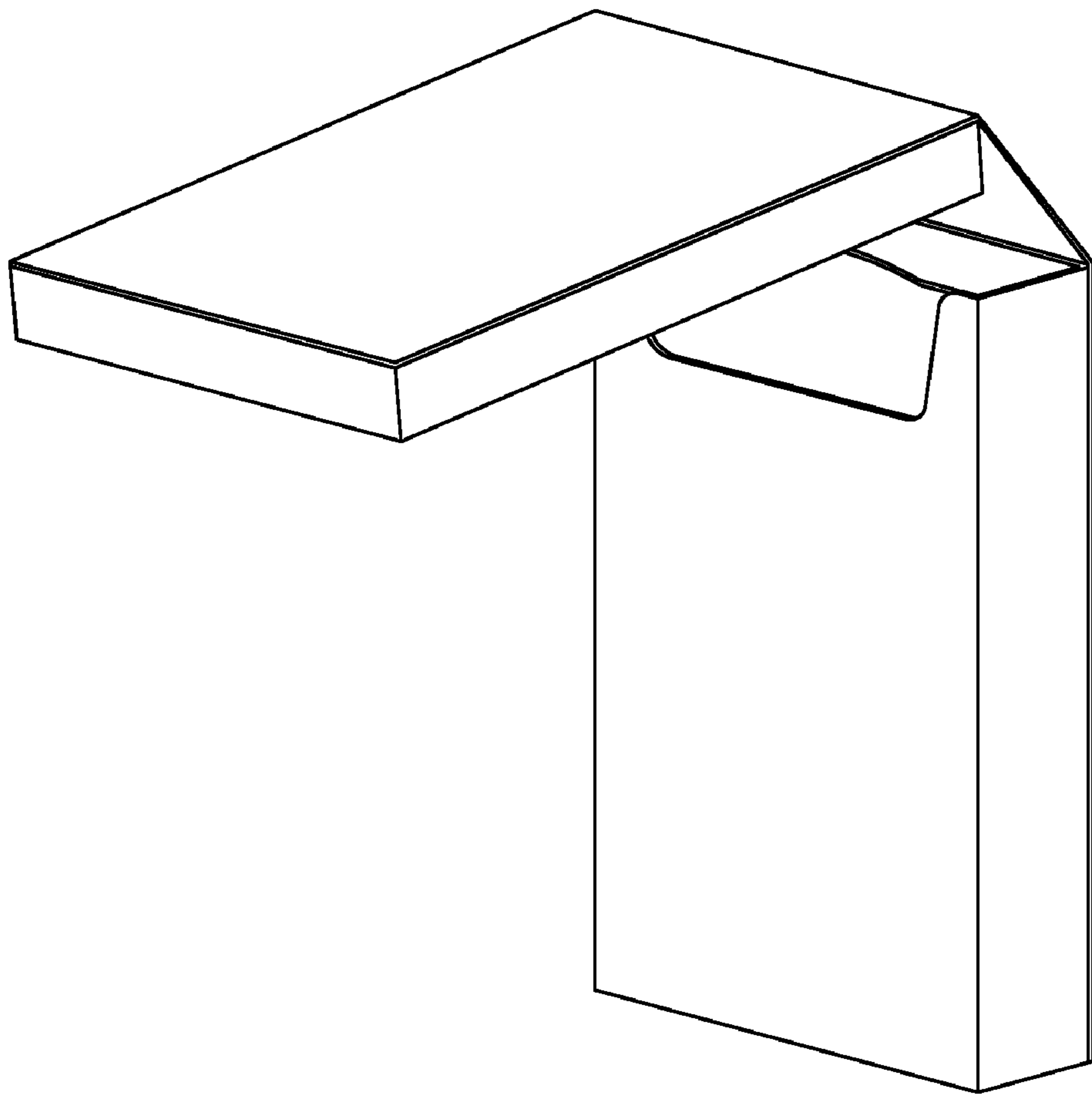


FIG.3

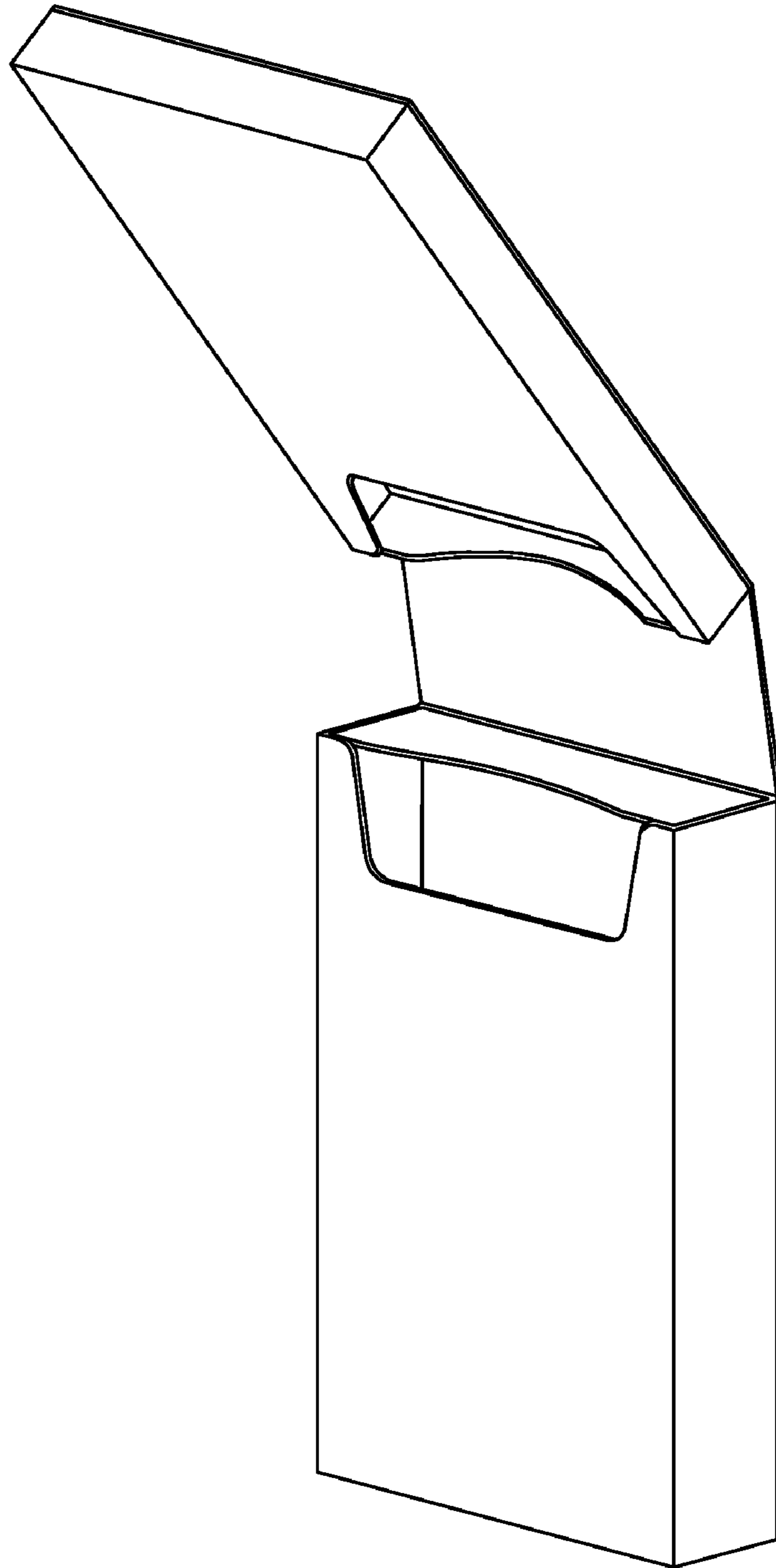


FIG.4

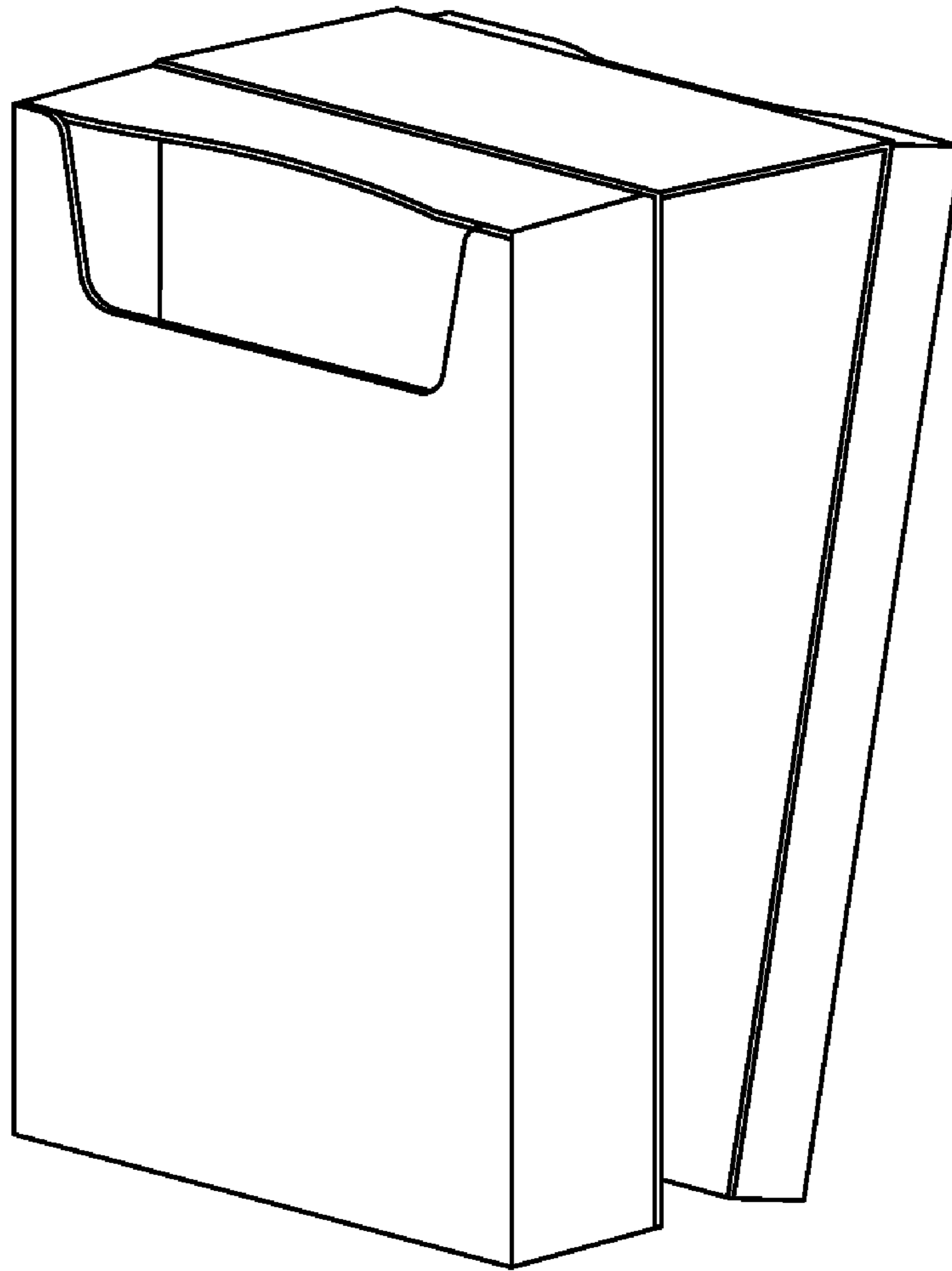


FIG.5

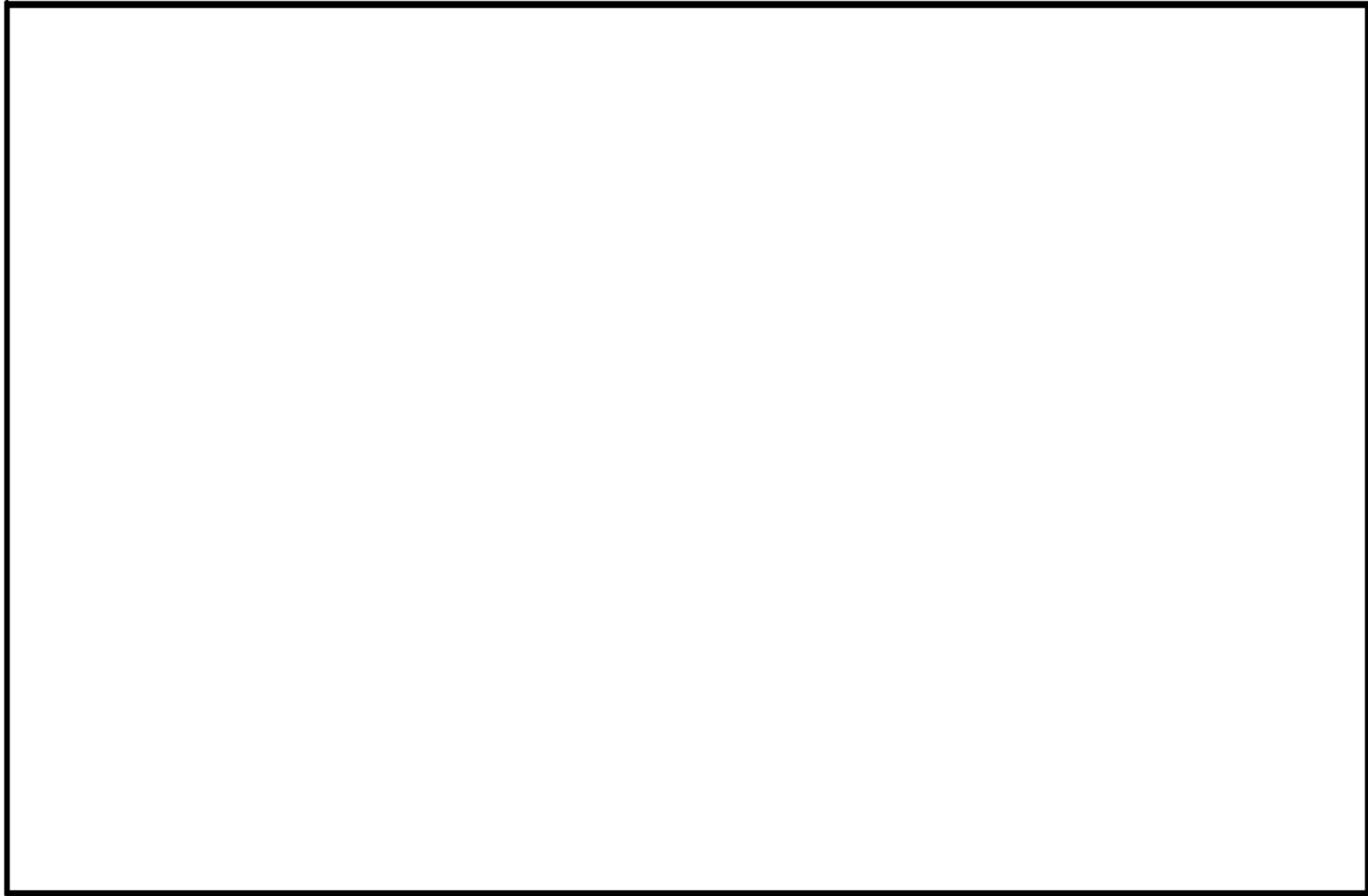


FIG. 8

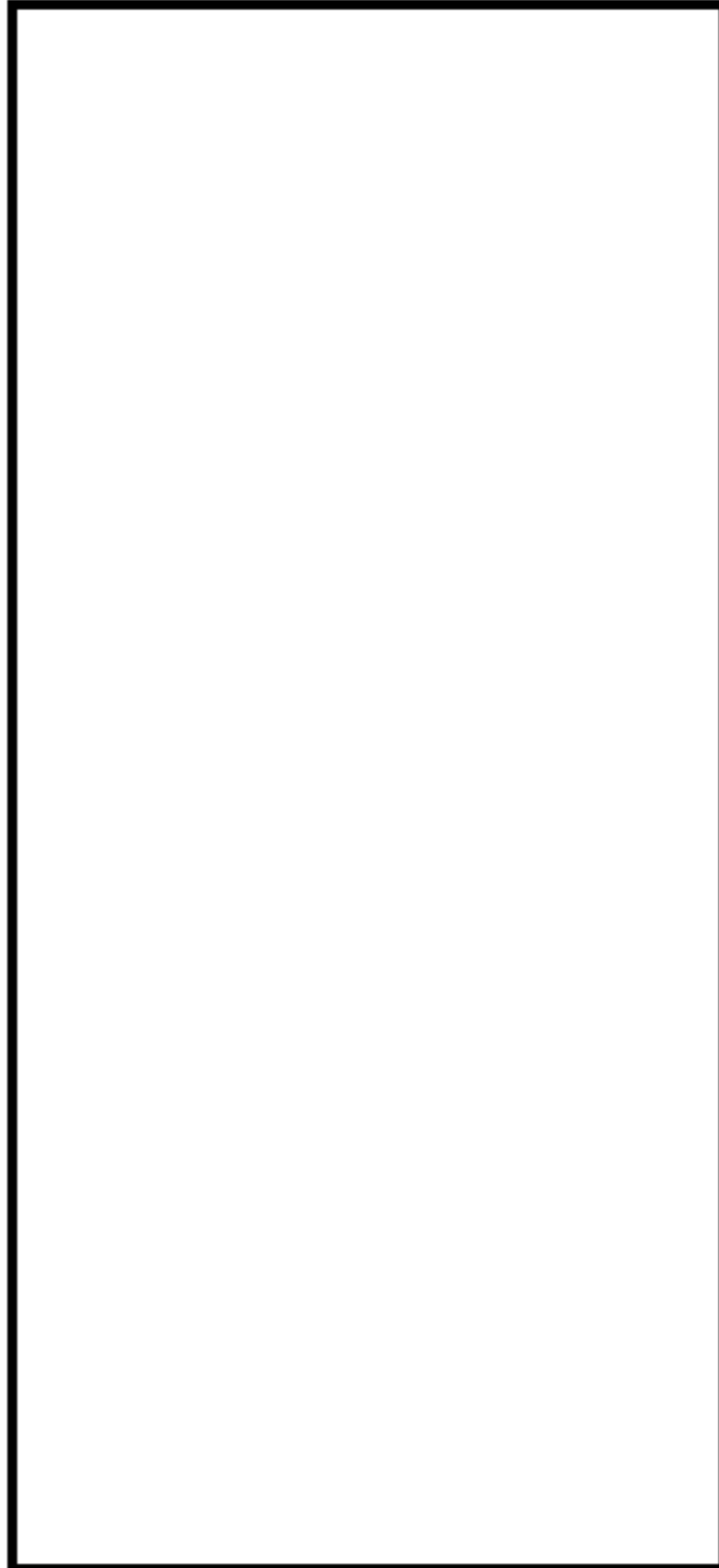


FIG. 7

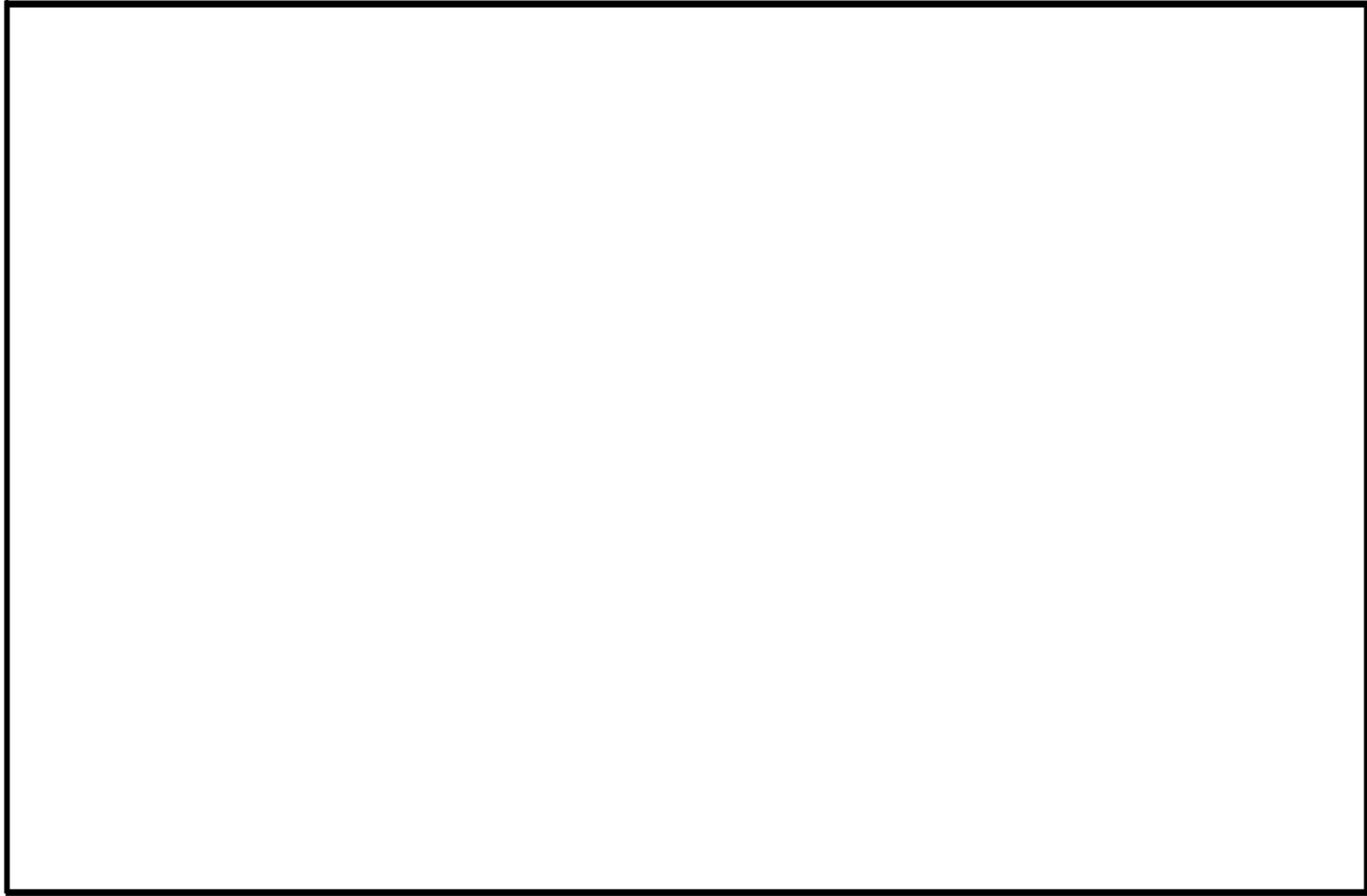


FIG. 6

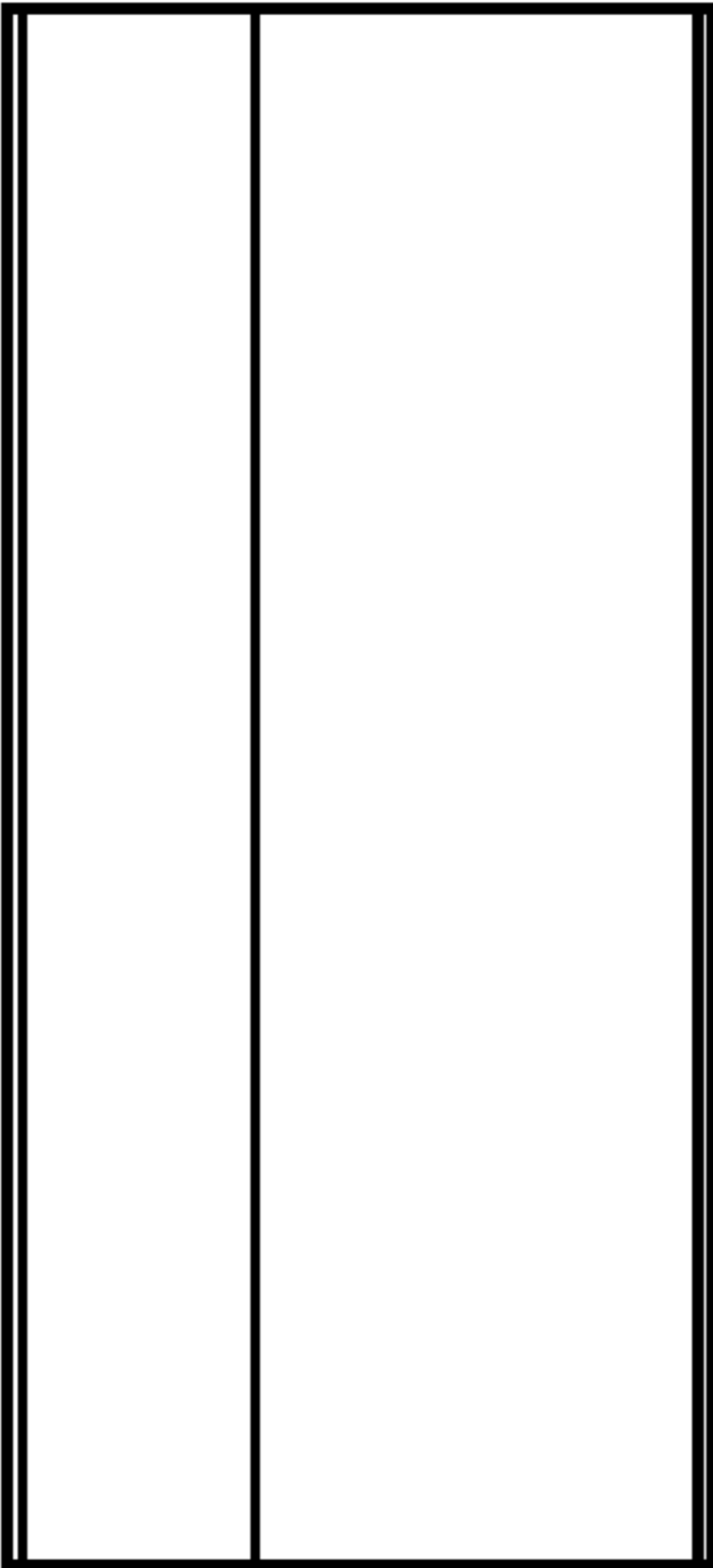


FIG. 11

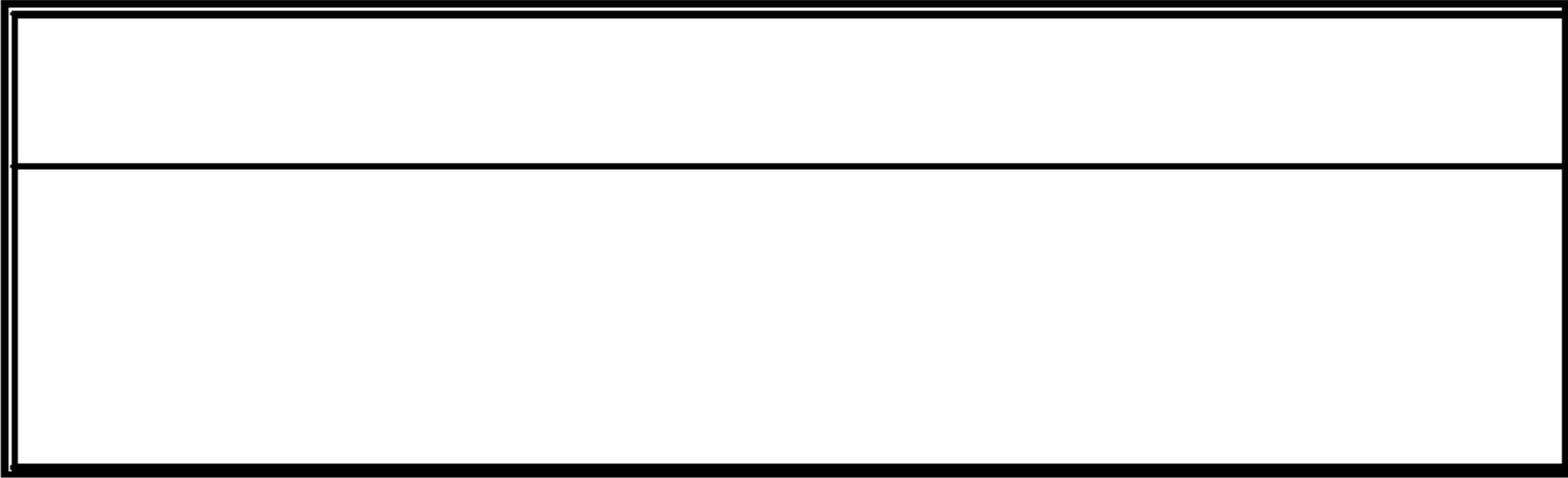


FIG. 10



FIG. 9