



US00D607715S

(12) **United States Design Patent**
Chiu

(10) **Patent No.:** **US D607,715 S**
(45) **Date of Patent:** **** Jan. 12, 2010**

(54) **PANEL WALL CLIP**

6,754,937 B1 * 6/2004 Martin 24/351

(75) Inventor: **Tzu-Chin Chiu**, Changhua County (TW)

* cited by examiner

(73) Assignee: **Caimon Enterprise Co., Ltd.**, Changhua County (TW)

Primary Examiner—T. Chase Nelson
Assistant Examiner—John Windmuller

(**) Term: **14 Years**

(74) *Attorney, Agent, or Firm*—Muncy, Geissler, Olds & Lowe, PLLC

(21) Appl. No.: **29/325,874**

(57) **CLAIM**

(22) Filed: **Oct. 7, 2008**

The ornamental design for a panel wall clip, as shown and described.

(51) **LOC (9) Cl.** **08-08**

DESCRIPTION

(52) **U.S. Cl.** **D8/395**

(58) **Field of Classification Search** D8/394–396, D8/72; D19/56, 65; 24/67.3; D32/60–64
See application file for complete search history.

FIG. 1 is a perspective view of a panel wall clip showing my design;

FIG. 2 is a front elevational view thereof;

FIG. 3 is a rear elevational view thereof;

FIG. 4 is a left side elevational view thereof;

FIG. 5 is a right side elevational view thereof;

FIG. 6 is a top plan view thereof;

FIG. 7 is a bottom plan view thereof; and,

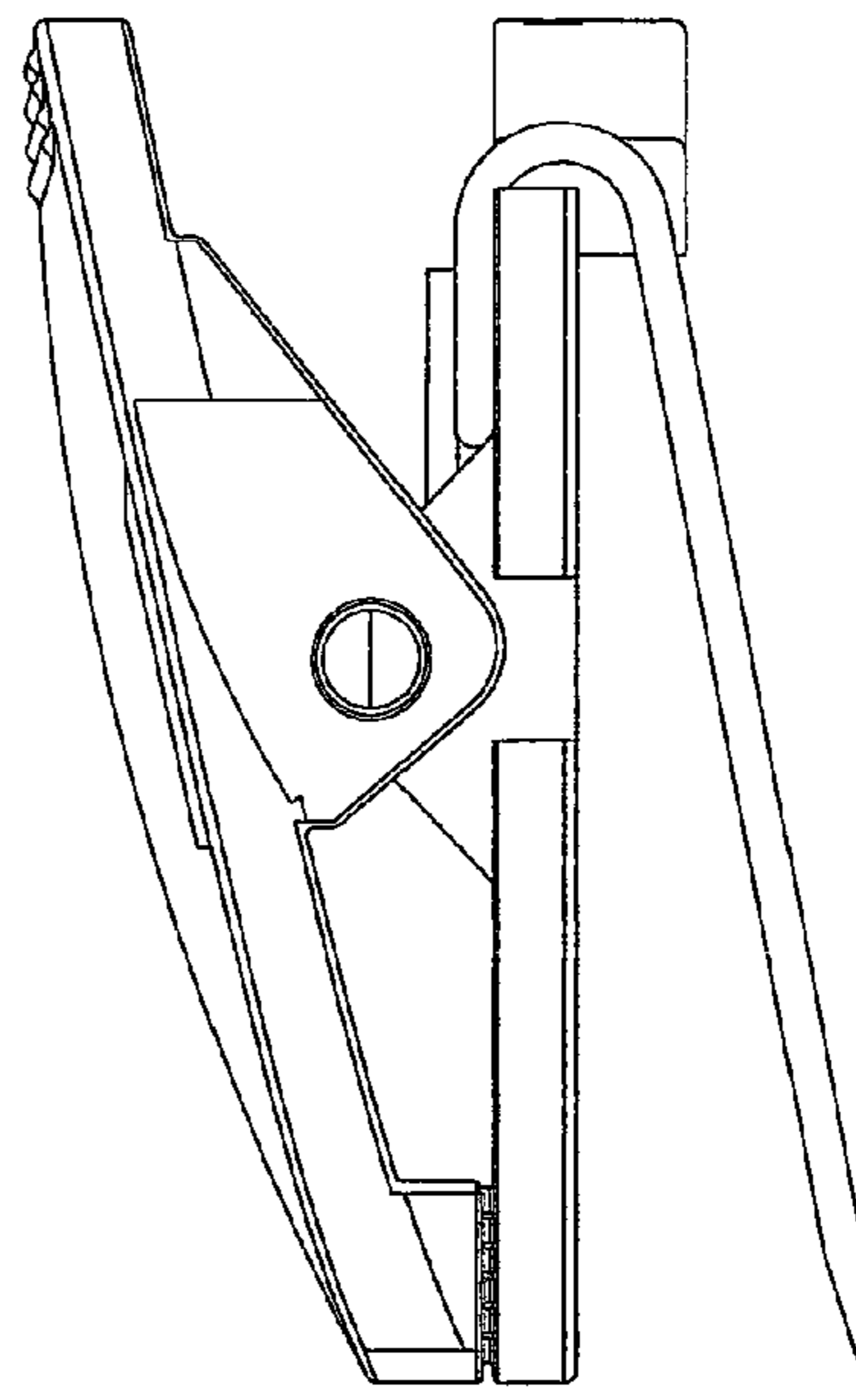
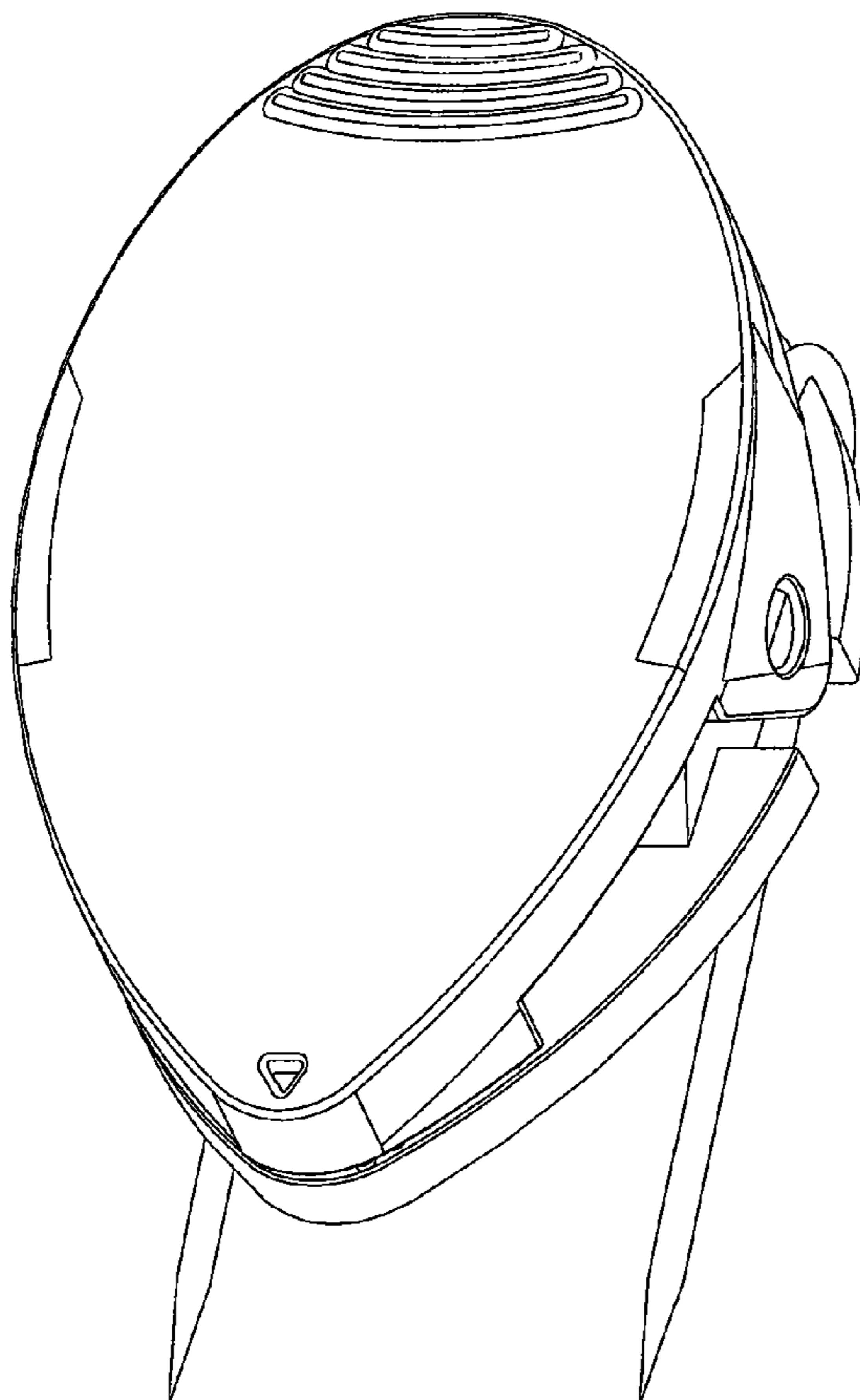
FIG. 8 is a perspective view thereof in an open position.

(56) **References Cited**

U.S. PATENT DOCUMENTS

726,975	A *	5/1903	Neithercott	24/5
5,269,485	A *	12/1993	Dwinell et al.	248/216.4
D438,452	S *	3/2001	Tsai	D8/395
D468,359	S *	1/2003	Chen	D19/65
D477,364	S *	7/2003	Tsai	D19/65
D486,057	S *	2/2004	Chen	D8/367

1 Claim, 8 Drawing Sheets



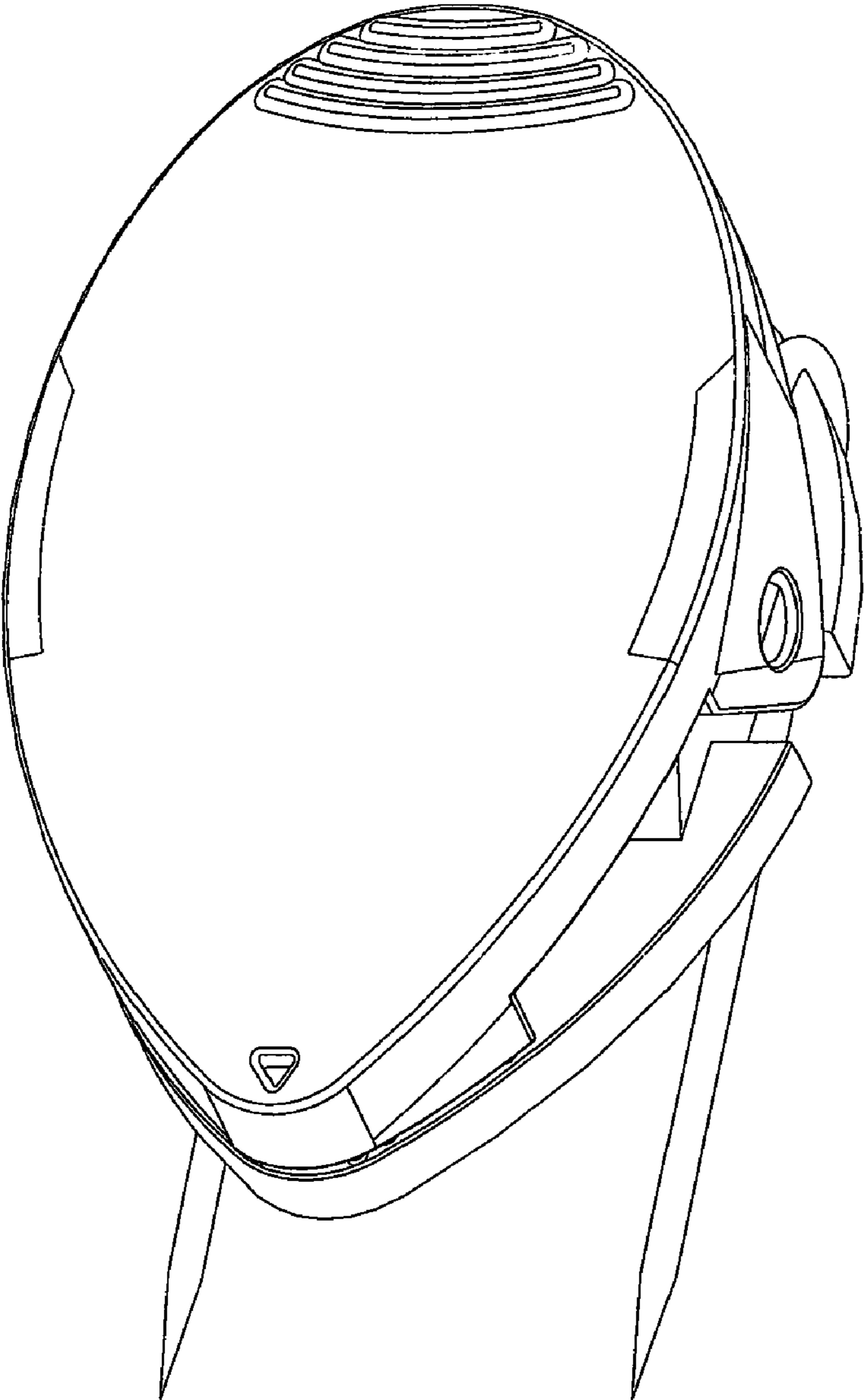


Fig.1

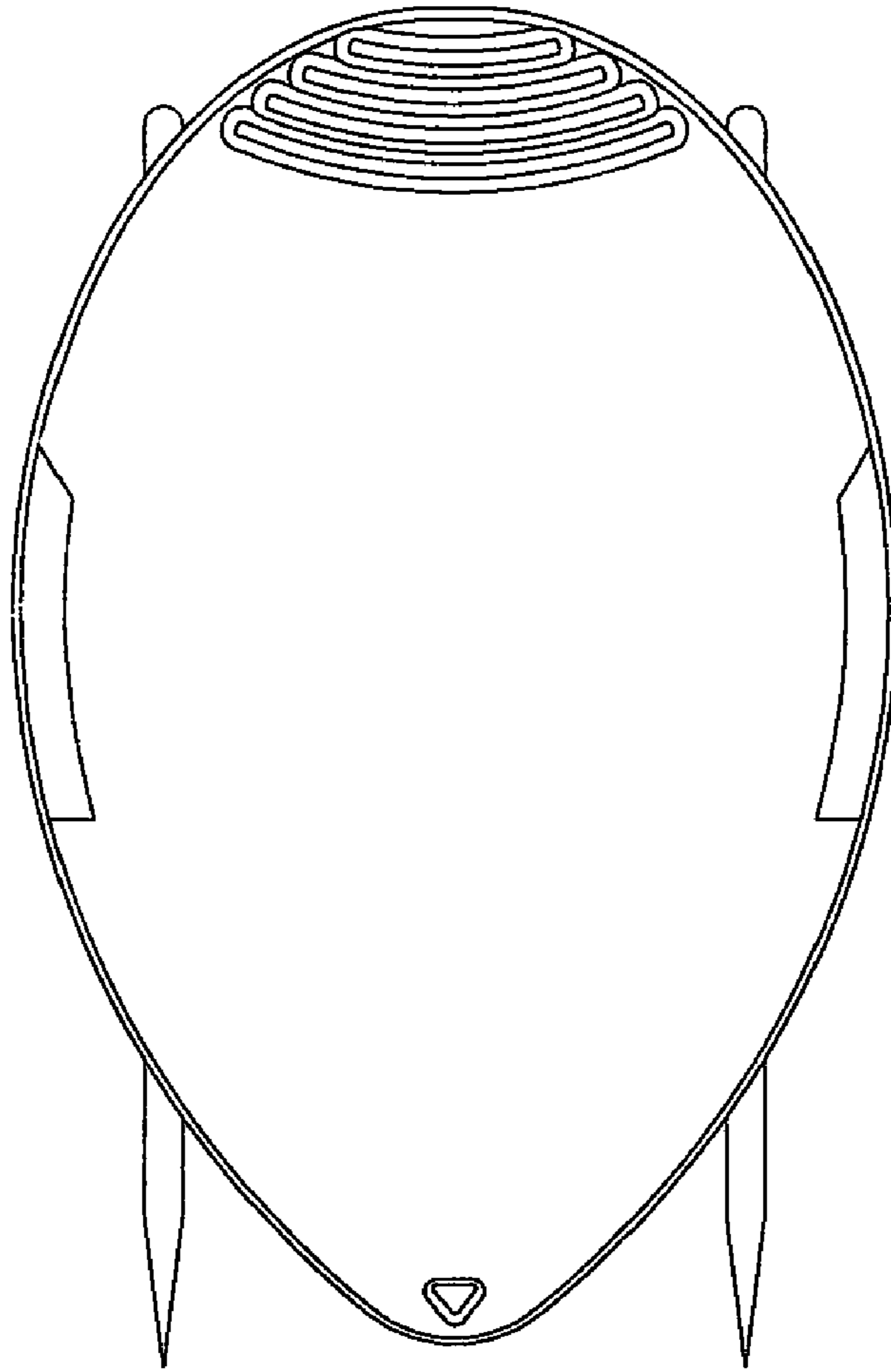


Fig. 2

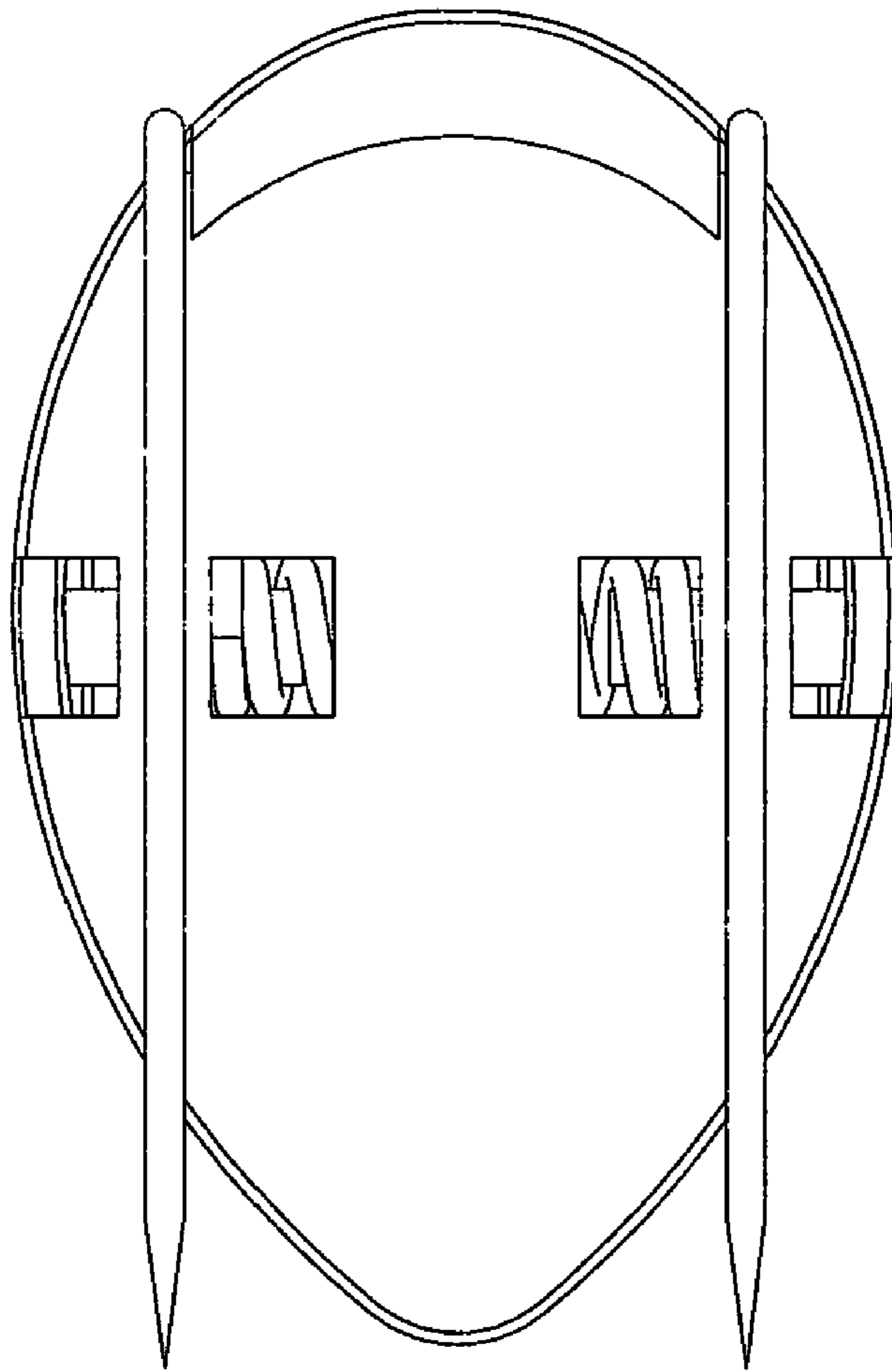


Fig. 3

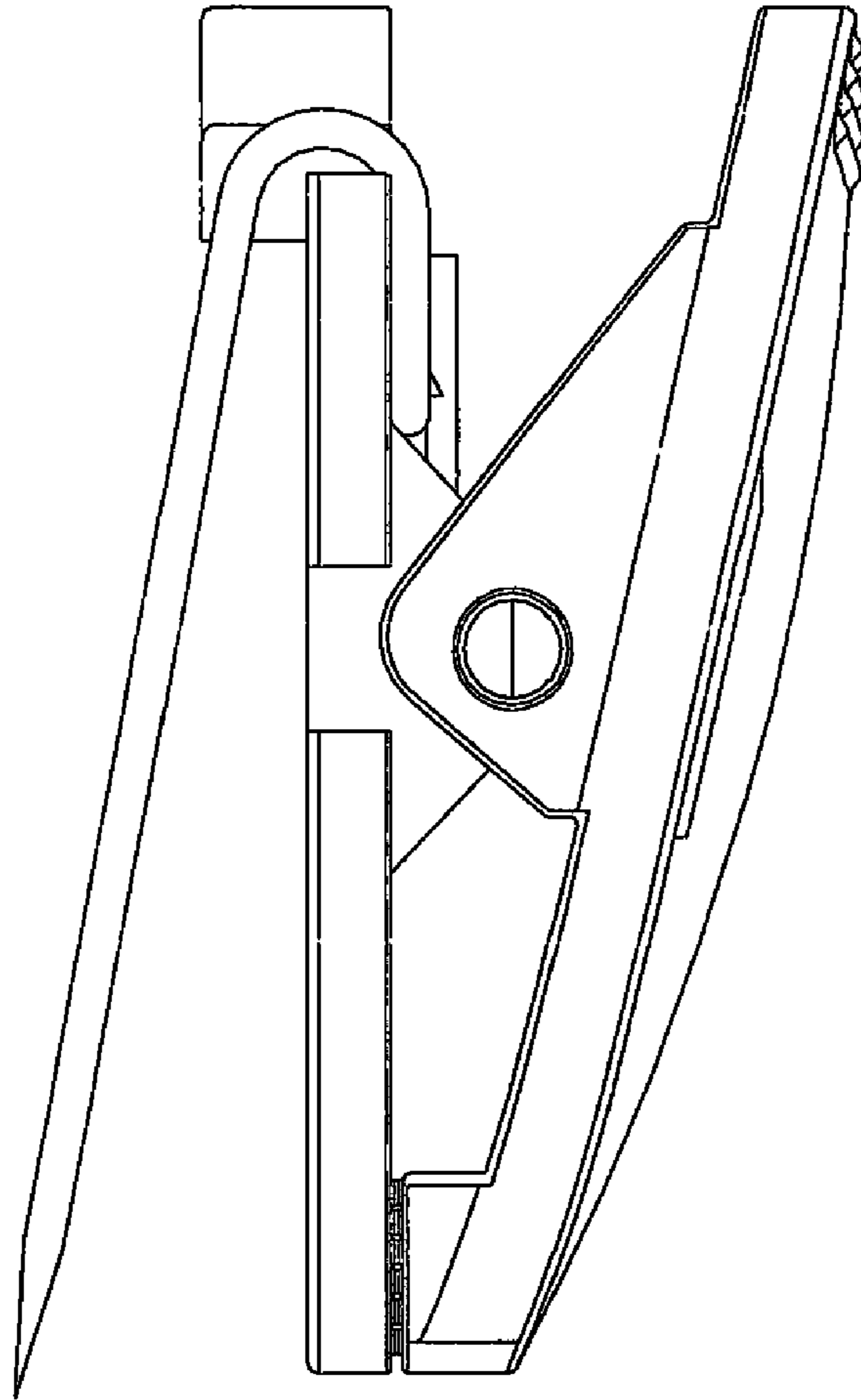


Fig. 4

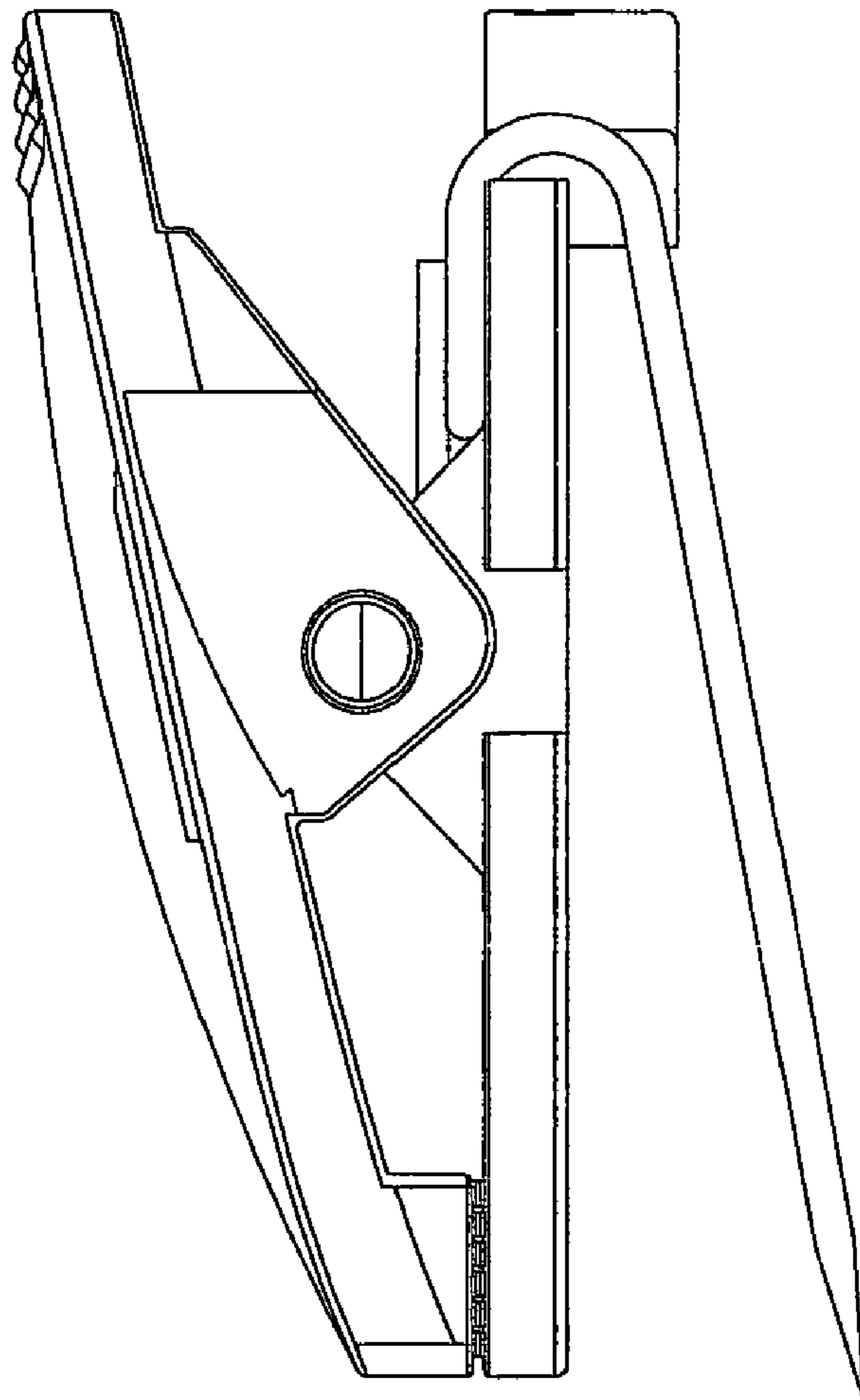


Fig. 5

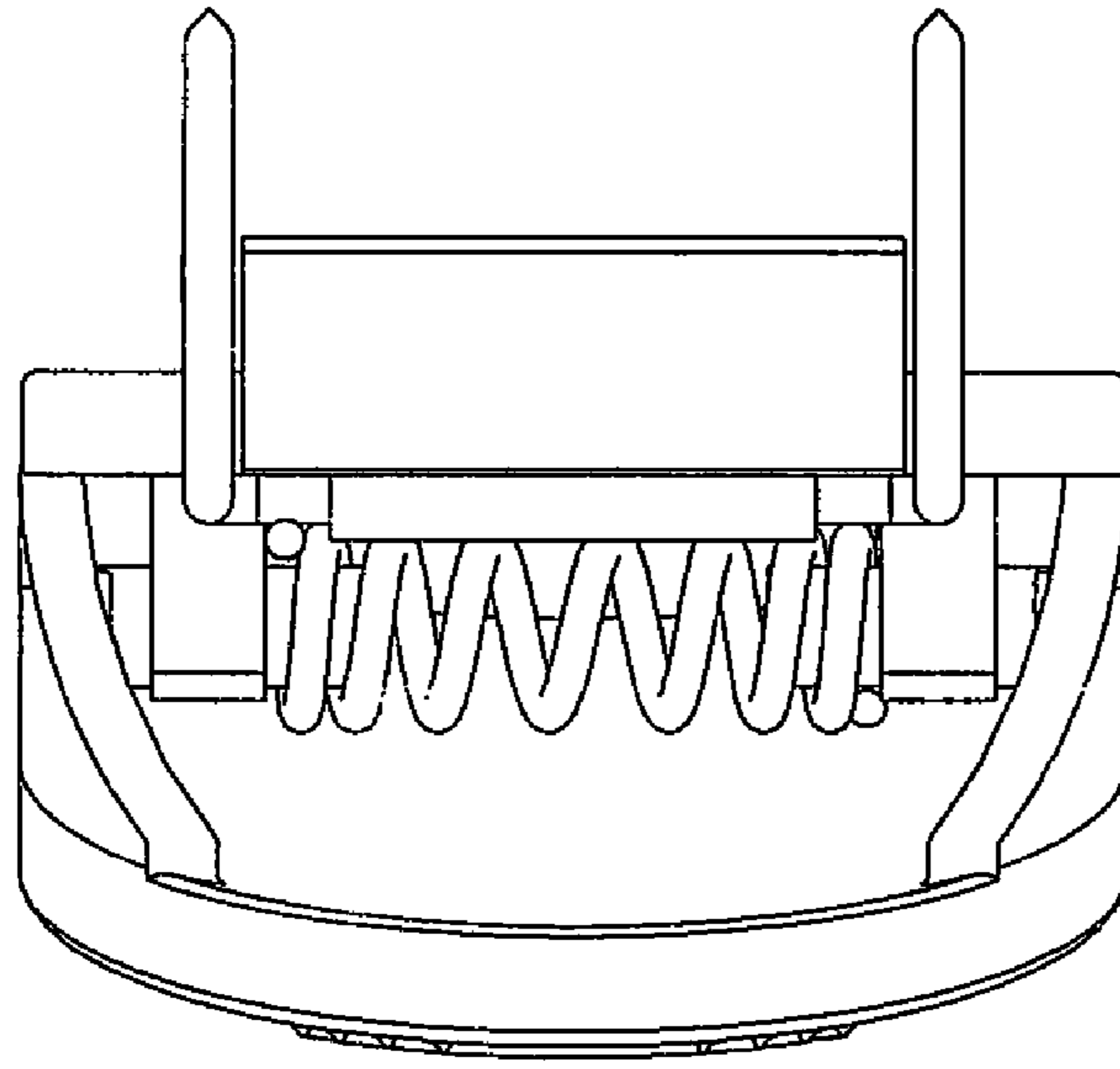


Fig. 6

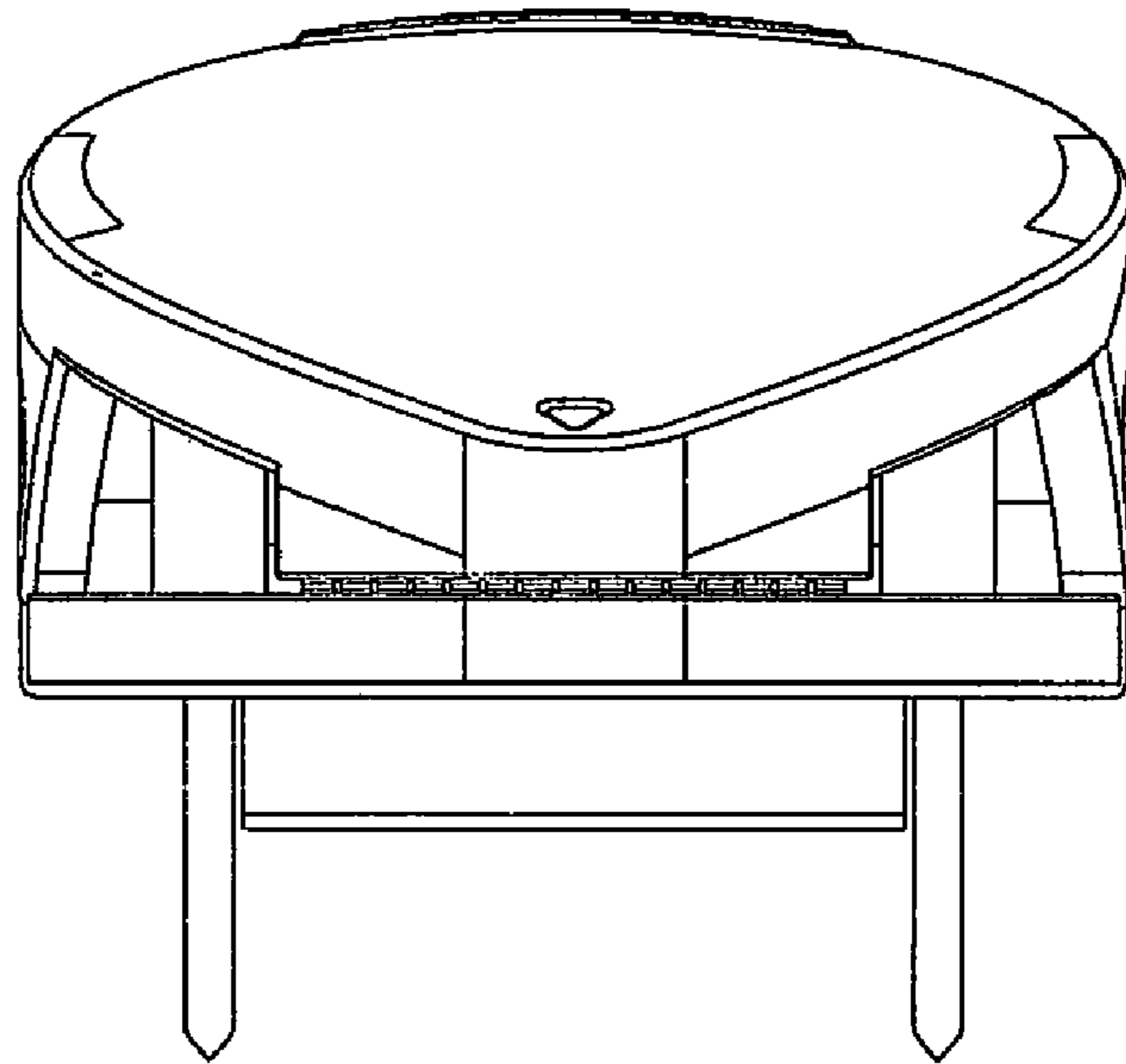


Fig. 7

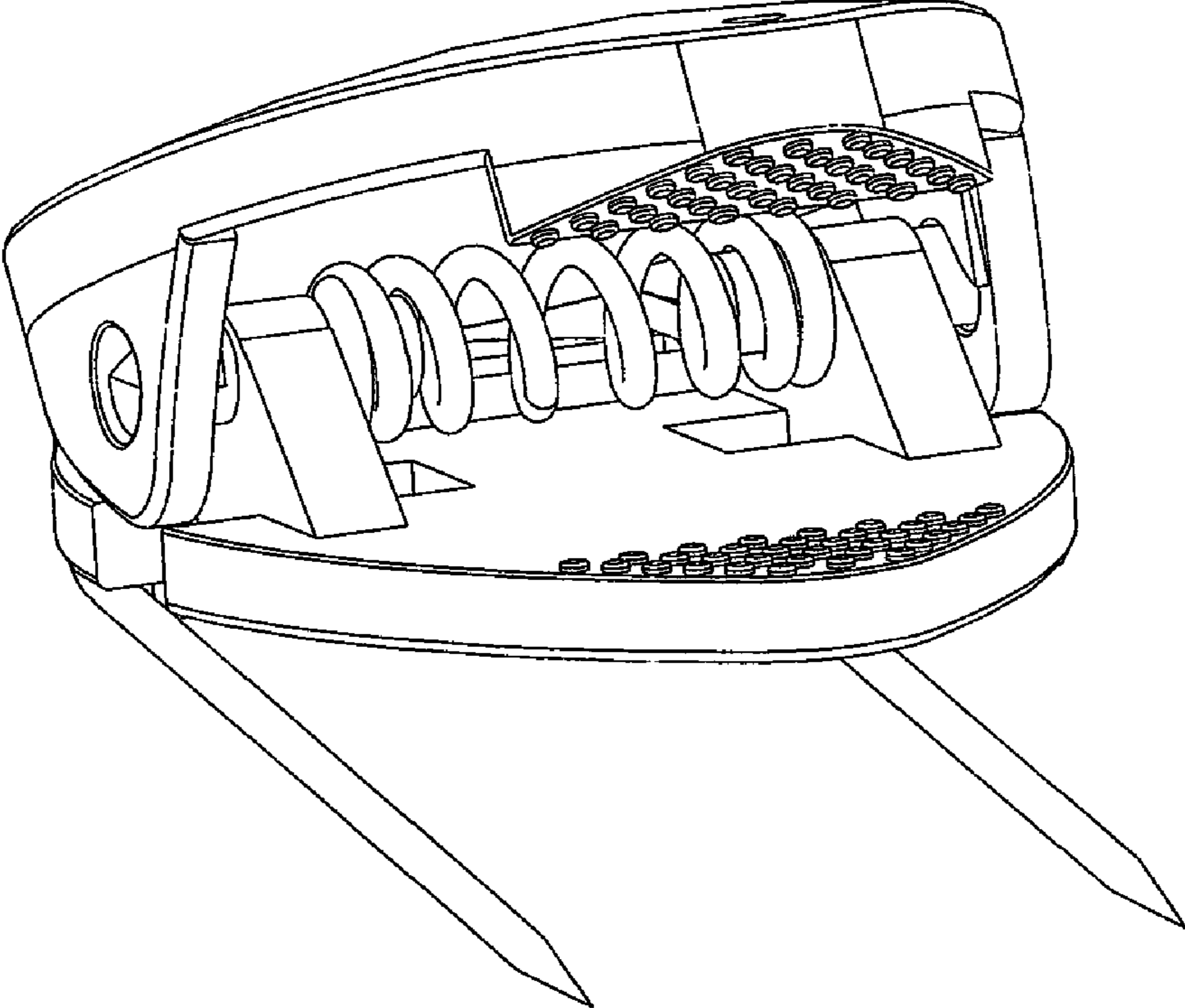


Fig. 8