



US00D607714S

(12) **United States Design Patent**
Zhang et al.

(10) **Patent No.:** **US D607,714 S**
(45) **Date of Patent:** **** Jan. 12, 2010**

(54) **THUMBSCREW**

(75) Inventors: **Hai-Long Zhang**, Shenzhen (CN);
Yu-Wei He, Shenzhen (CN)

(73) Assignee: **Hon Hai Precision Industry Co., Ltd.**,
Tu-Cheng, Taipei Hsien (TW)

(**) Term: **14 Years**

(21) Appl. No.: **29/327,073**

(22) Filed: **Oct. 30, 2008**

(30) **Foreign Application Priority Data**

Oct. 16, 2008 (CN) 200830301669.X

(51) **LOC (9) Cl.** **08-08**

(52) **U.S. Cl.** **D8/382**

(58) **Field of Classification Search** D8/382,
D8/387, 398; 403/348, 349; 411/435, 437,
411/510, 427, 337, 429, 551, 6
See application file for complete search history.

(56) **References Cited**

U.S. PATENT DOCUMENTS

2,373,812 A * 4/1945 Coop 411/6

3,209,806 A * 10/1965 Carrier et al. 411/361
6,364,688 B1 * 4/2002 Fraley et al. 439/362
6,379,076 B1 * 4/2002 Reinhold et al. 403/348
D594,740 S * 6/2009 Melic D8/382

* cited by examiner

Primary Examiner—Holly H Baynham

Assistant Examiner—Sheryl Lane

(74) *Attorney, Agent, or Firm*—Clifford O. Chi

(57) **CLAIM**

The ornamental design for a thumbscrew, as shown.

DESCRIPTION

FIG. 1 is a perspective view of a thumbscrew showing our new design;

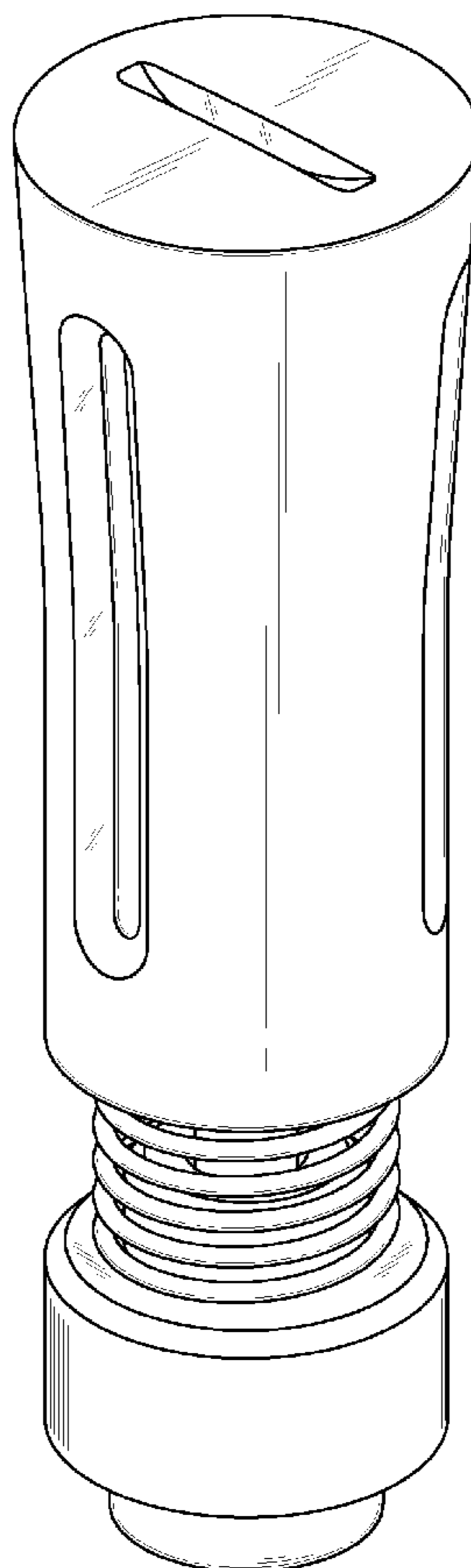
FIG. 2 is a front elevational view thereof;

FIG. 3 is a left side elevational view thereof;

FIG. 4 is a top plan view thereof; and,

FIG. 5 is a bottom plan view thereof.

1 Claim, 5 Drawing Sheets



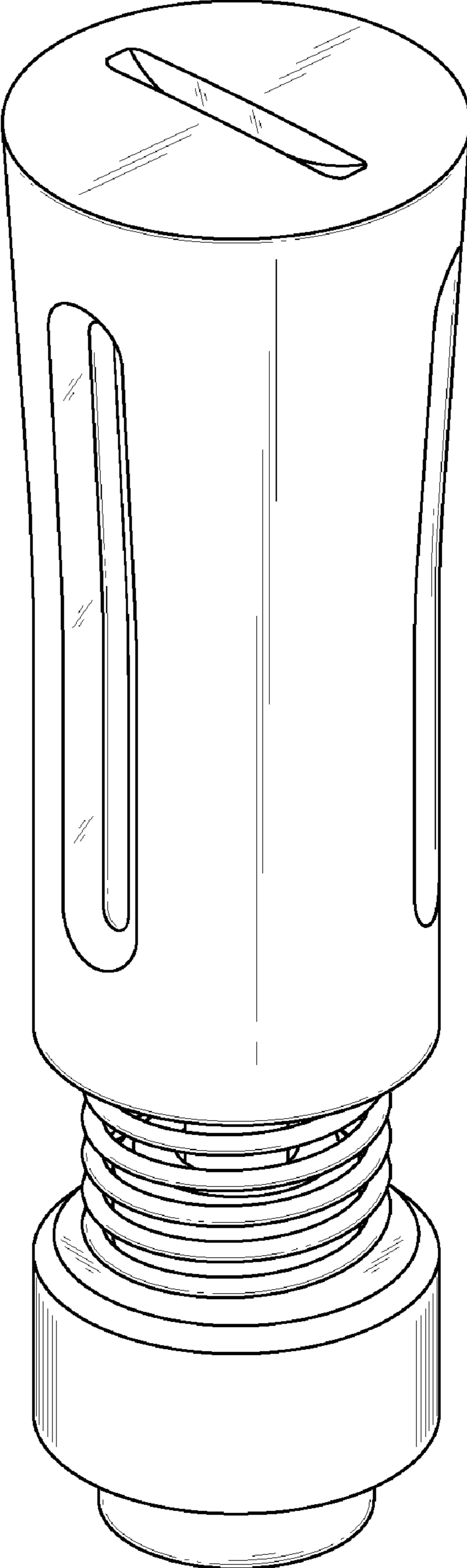


FIG. 1

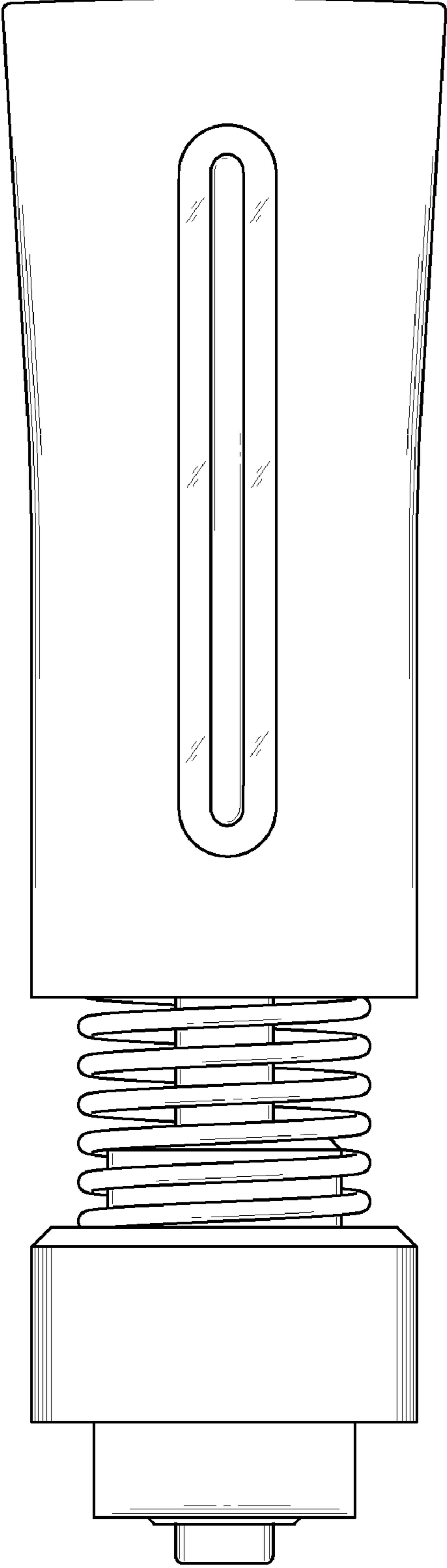


FIG. 2

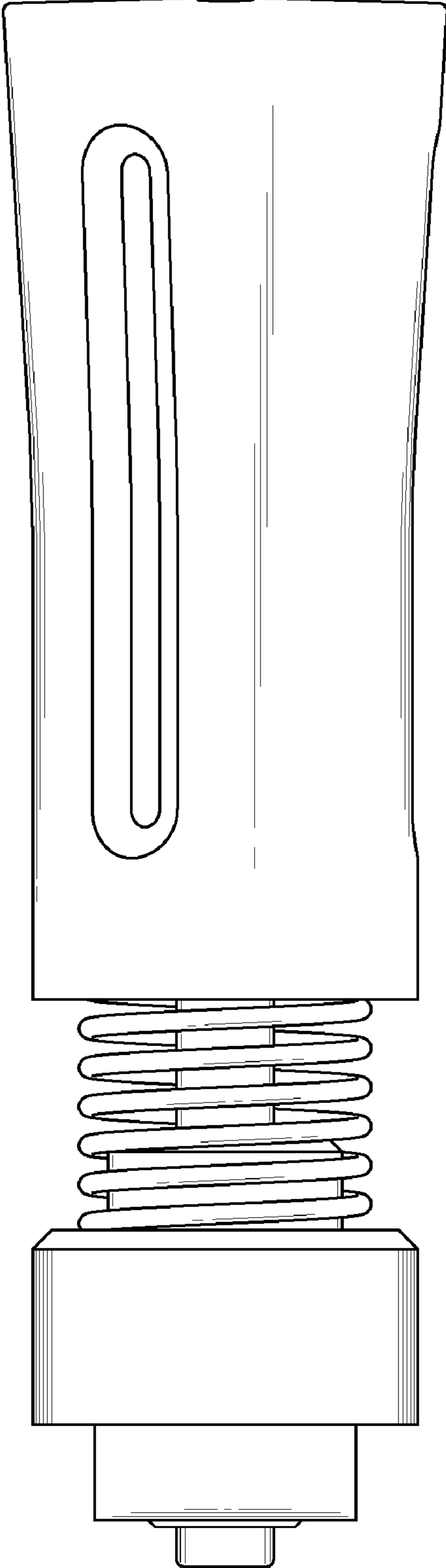


FIG. 3

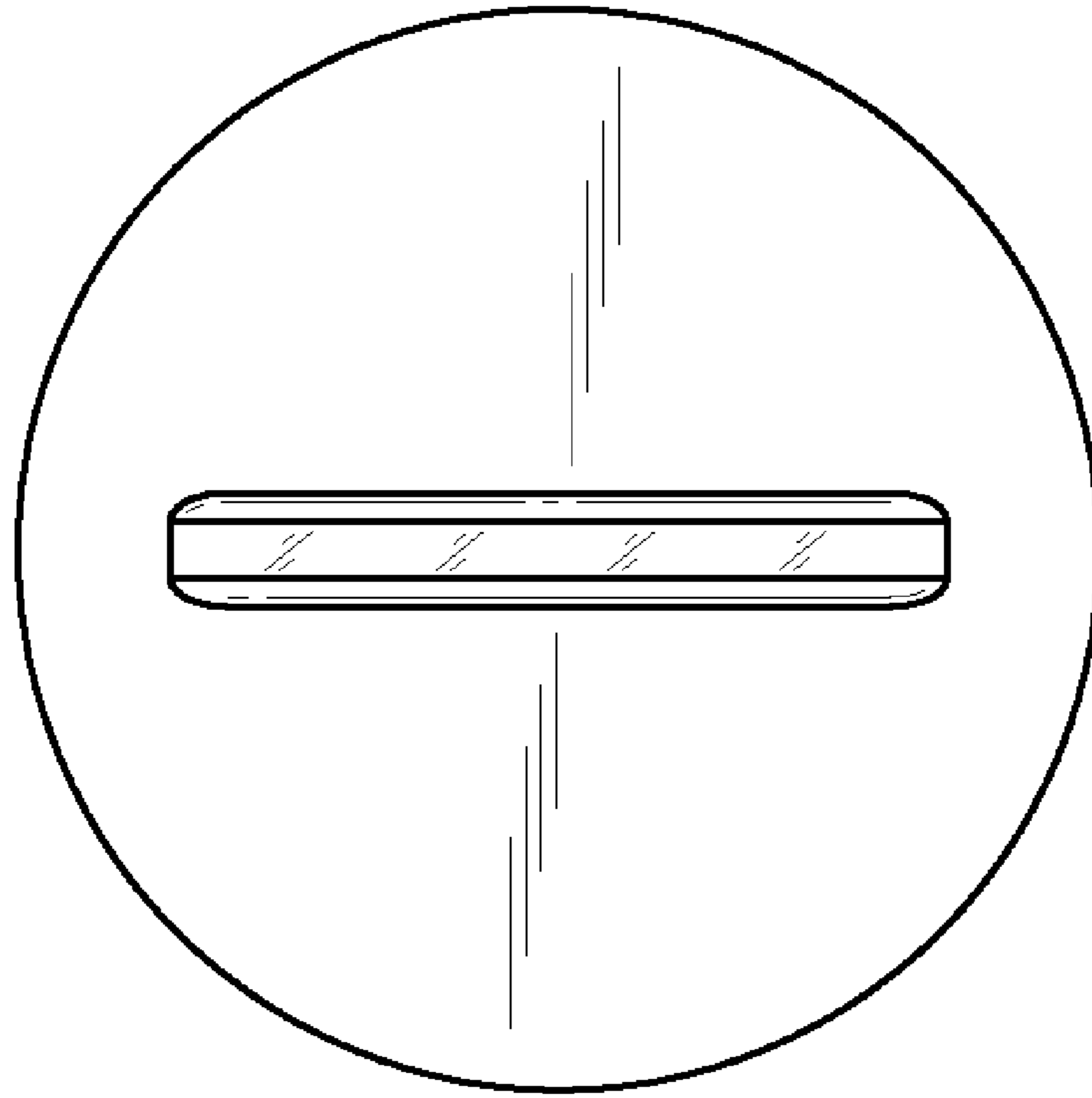


FIG. 4

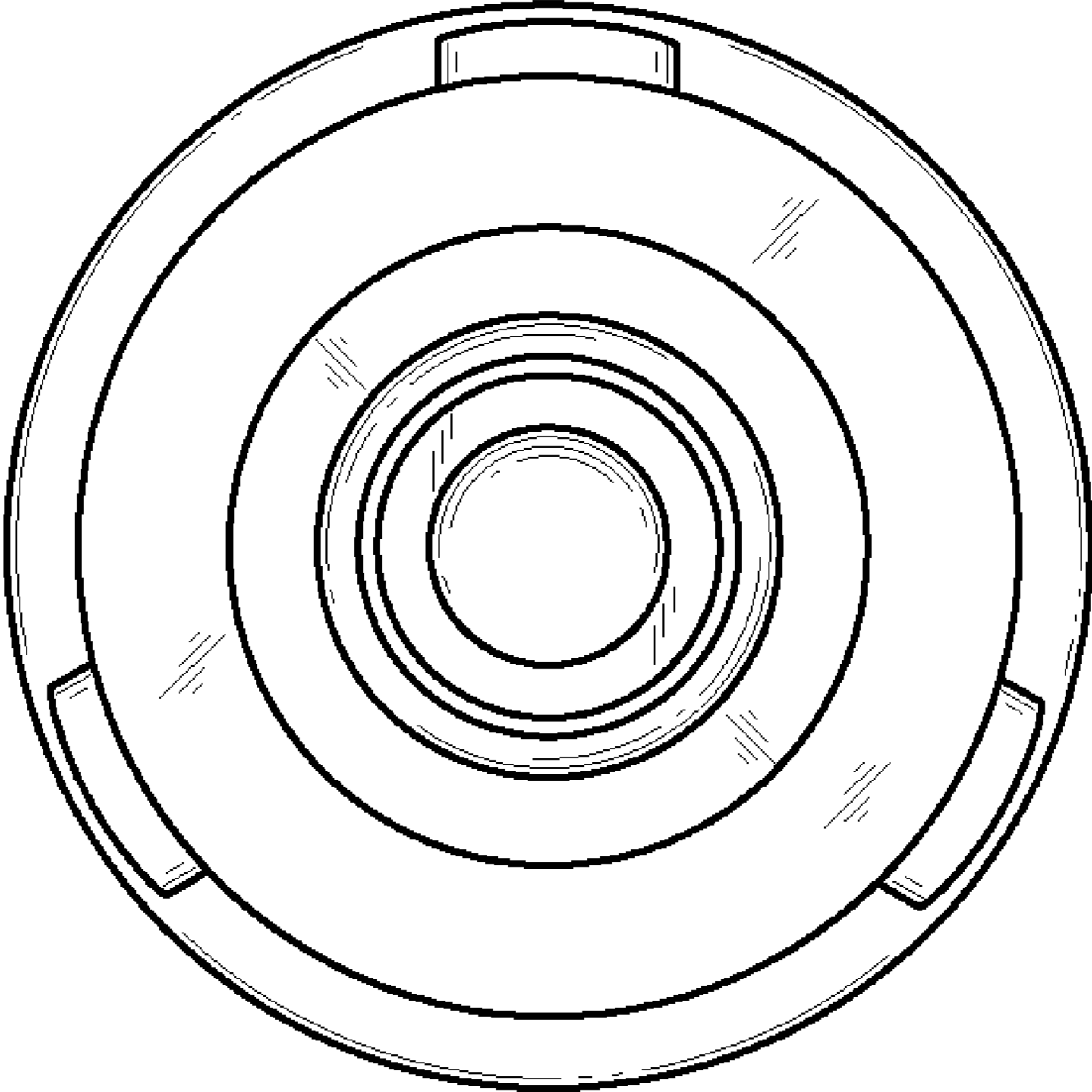


FIG. 5