



US00D607713S

(12) **United States Design Patent**
Andrew

(10) **Patent No.:** **US D607,713 S**
(45) **Date of Patent:** **** Jan. 12, 2010**

(54) **OVERDOOR HOOK**

(75) Inventor: **Mercedita Andrew**, Chicago, IL (US)

(73) Assignee: **Liberty Hardware Mfg. Corp.**,
Winston-Salem, NC (US)

(**) Term: **14 Years**

(21) Appl. No.: **29/330,857**

(22) Filed: **Jan. 15, 2009**

(51) **LOC (9) Cl.** **08-05**

(52) **U.S. Cl.** **D8/367**

(58) **Field of Classification Search** D8/301,
D8/302, 367, 371, 373, 382, 395; D10/99;
248/74.2, 100, 201, 214, 215, 216.1, 218.1,
248/231, 231.91, 243, 301, 302, 303, 304,
248/309.1, 322, 339, 340, 467, 493, 496,
248/497, 498, 547; 16/413; 24/265 H, 563,
24/907; 211/13.1, 60.1, 65, 66, 87.01; 404/134;
D19/34.1, 91; D6/323

See application file for complete search history.

(56) **References Cited**

U.S. PATENT DOCUMENTS

D304,545 S * 11/1989 Hurrelbrink D8/367

D326,021 S * 5/1992 Evenson D8/367
D423,335 S * 4/2000 Snell D8/367
D442,073 S * 5/2001 Lyndon D8/367
D469,341 S * 1/2003 Knapp D8/367
D583,653 S * 12/2008 Thompson et al. D8/367

* cited by examiner

Primary Examiner—Robert M Spear

Assistant Examiner—Barbara B Lohr

(74) *Attorney, Agent, or Firm*—Edgar A. Zarins; Nirav D. Parikh

(57) **CLAIM**

The ornamental design for a overdoor hook, as shown and described.

DESCRIPTION

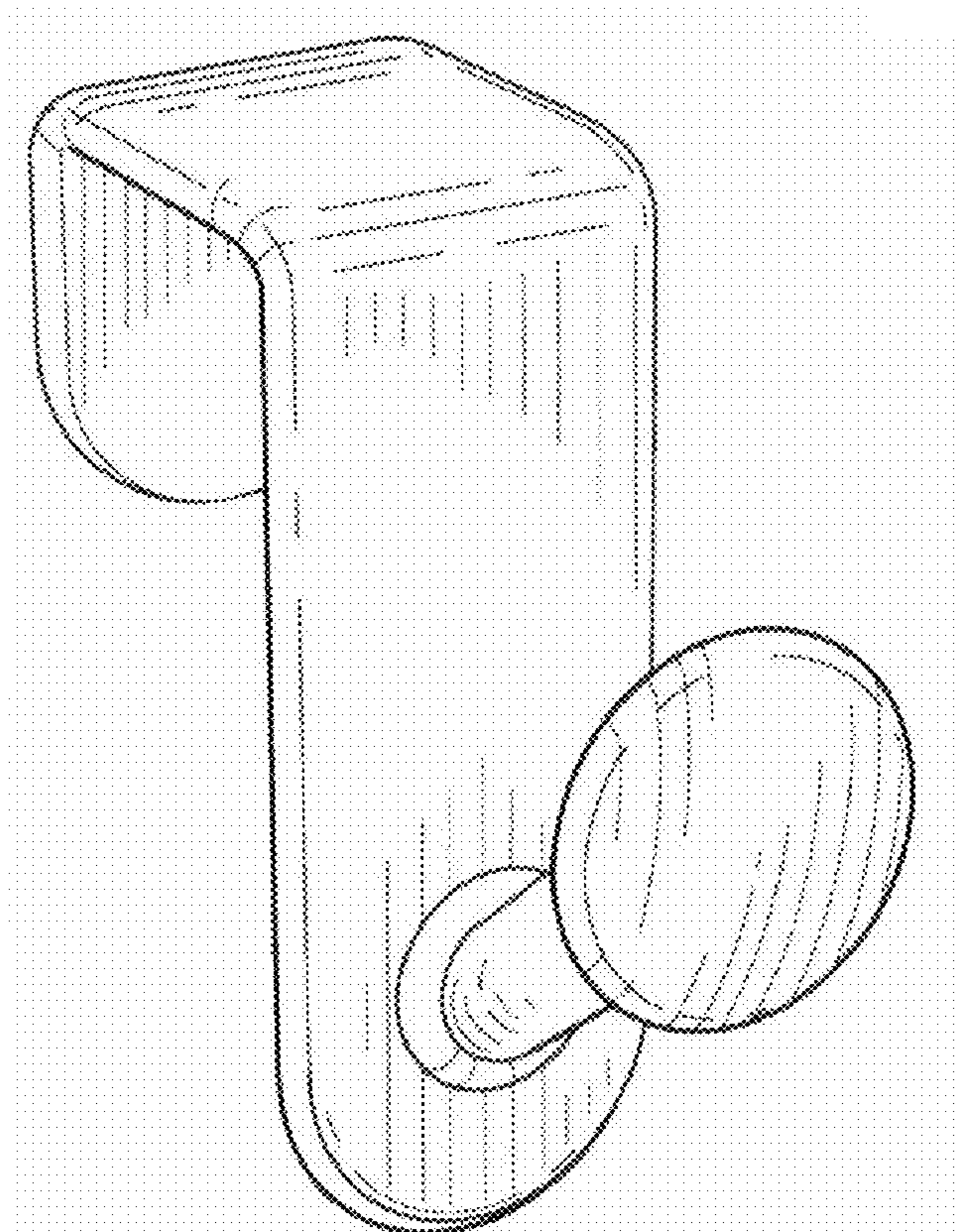
FIG. 1 is a perspective view of an overdoor hook showing my new design;

FIG. 2 is a front elevational view thereof;

FIG. 3 is a right side view thereof, the opposite side being a mirror image of the side shown; and,

FIG. 4 is a top plan view thereof.

1 Claim, 1 Drawing Sheet



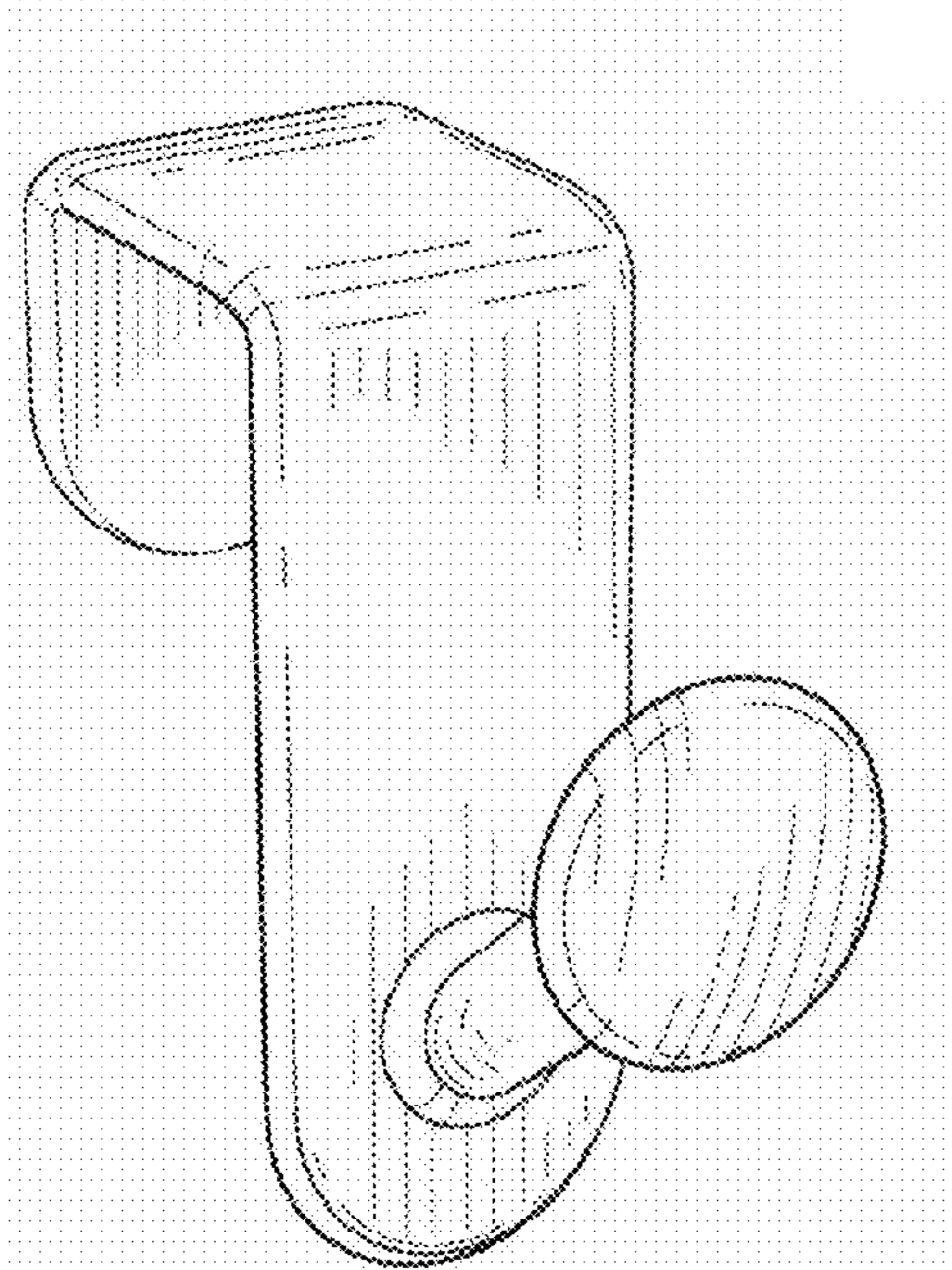


Fig-1

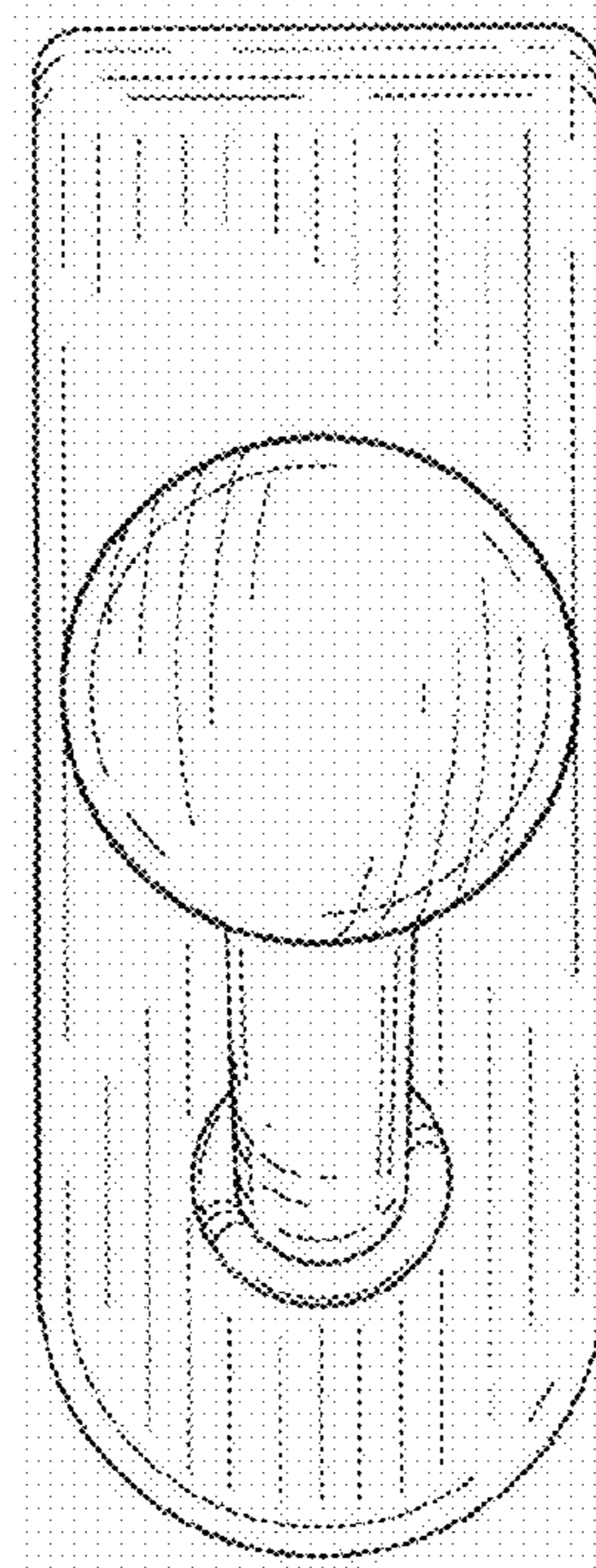


Fig-2

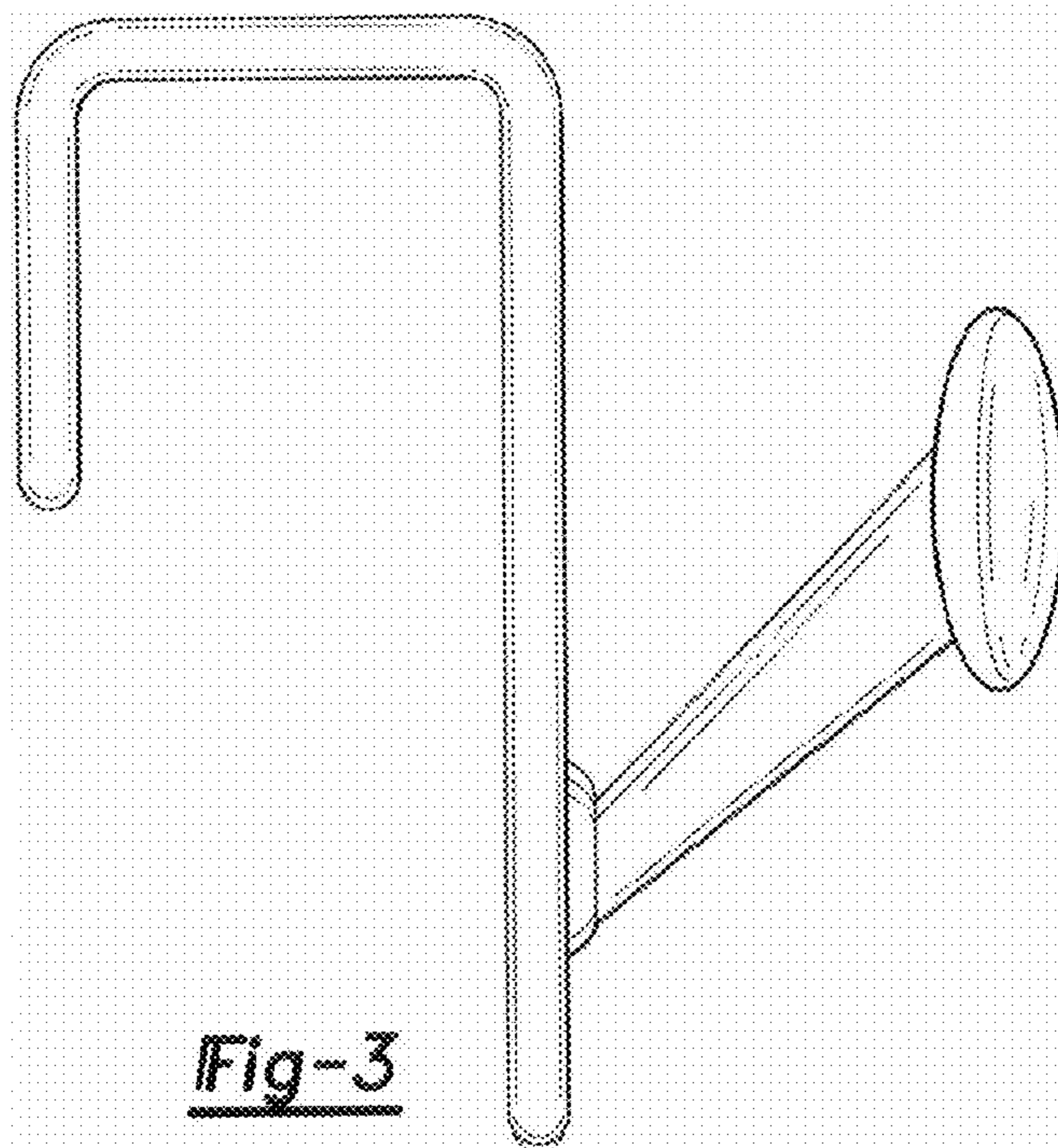


Fig-3

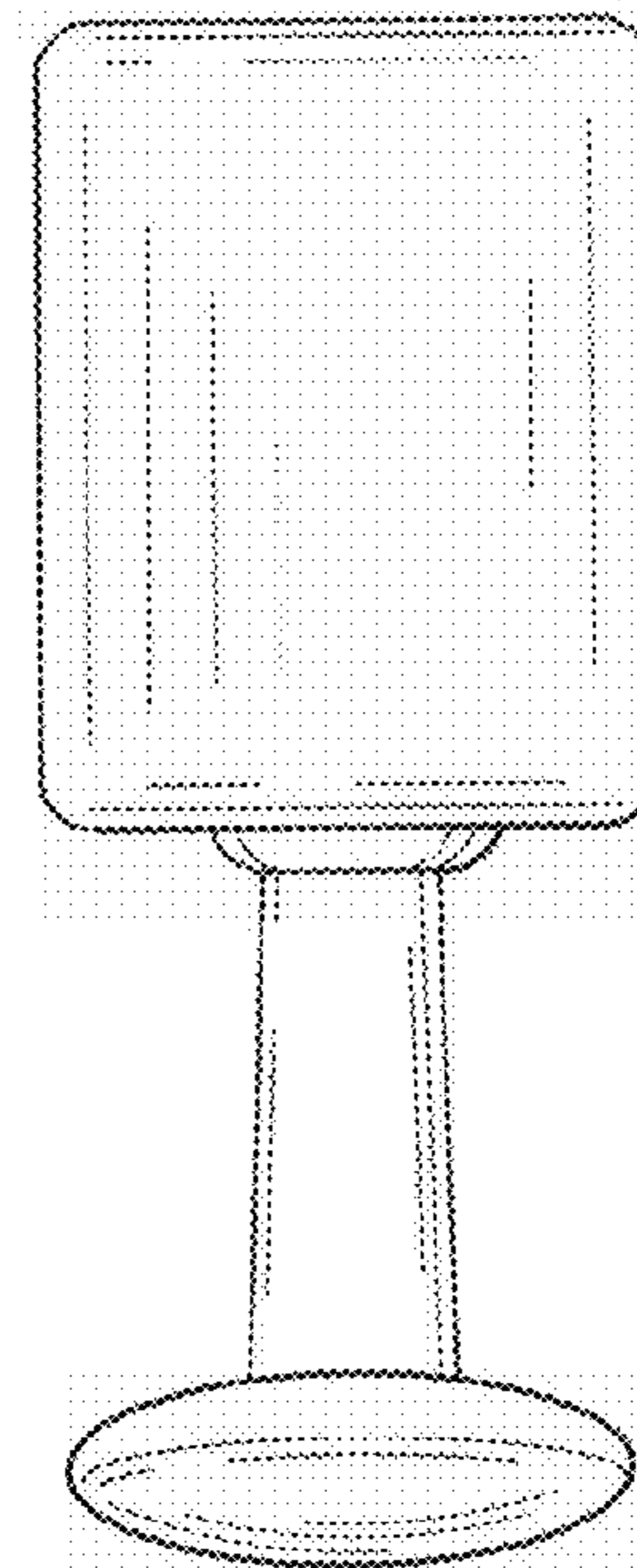


Fig-4

UNITED STATES PATENT AND TRADEMARK OFFICE
Certificate

Patent No. D. 607,713 S

Patented: January 12, 2010

On petition requesting issuance of a certificate for correction of inventorship pursuant to 35 U.S.C. 256, it has been found that the above identified patent, through error and without any deceptive intent, improperly sets forth the inventorship.

Accordingly, it is hereby certified that the correct inventorship of this patent is: Man Ki Yoo, Skokie, IL (US).

Signed and Sealed this Fifteenth Day of March 2011.

ROBERT M. SPEAR
Supervisory Patent Examiner
Art Unit 2915
Technology Center 2900