



US00D607711S

(12) **United States Design Patent**  
**Adams et al.**

(10) **Patent No.:** **US D607,711 S**  
(45) **Date of Patent:** **\*\* Jan. 12, 2010**

(54) **DECK LEVELING SADDLE**

(76) Inventors: **David Adams**, 13 Parkhill Drive, Saint John, New Brunswick (CA) E2J 2V3;  
**Duane Brown**, 13 Parkhill Drive, Saint John, New Brunswick (CA) E2J 2V3

(\*\*) Term: **14 Years**

(21) Appl. No.: **29/311,335**

(22) Filed: **Feb. 25, 2009**

(51) **LOC (9) Cl.** ..... **08-05**

(52) **U.S. Cl.** ..... **D8/354**

(58) **Field of Classification Search** ..... D8/349,  
D8/354, 380, 381; 52/98, 126.1, 126.2, 126.6,  
52/126.7, 169.9, 263, 293.3, 295, 296, 298,  
52/299, 690; 248/188.4, 228.1, 295.11, 300,  
248/346.04, 354.3, 354.5, 638, 650; D25/62,  
D25/67, 68

See application file for complete search history.

(56) **References Cited**

**U.S. PATENT DOCUMENTS**

1,532,729	A	4/1925	Carlson	
1,596,039	A	8/1926	Whittaker	
2,115,824	A	5/1938	McRorey	
2,540,622	A	2/1951	Langenberg	
3,286,972	A	11/1966	Jackson	
3,797,793	A *	3/1974	Moritz et al.	248/295.11
3,831,329	A	8/1974	Lear	
3,921,356	A *	11/1975	Hughes	52/299
4,229,919	A	10/1980	Hughes	
4,387,543	A *	6/1983	Tschan et al.	52/295
4,404,780	A *	9/1983	Josephson	52/126.7
4,581,863	A *	4/1986	Thaler	52/126.2
4,632,356	A	12/1986	Munz	
4,882,887	A *	11/1989	Giles et al.	52/126.6

5,046,897	A	9/1991	Ray	
5,056,750	A *	10/1991	Ellithorpe	248/354.3
5,212,919	A *	5/1993	Shaw et al.	52/126.6
5,509,237	A *	4/1996	Coulter	52/126.6
5,561,950	A	10/1996	Collins et al.	
5,666,769	A	9/1997	Lundquist	
5,666,774	A	9/1997	Commins	
D401,211	S *	11/1998	Simpson	D8/349
5,862,635	A *	1/1999	Linse et al.	52/126.6
6,347,489	B1	2/2002	Marshall, Jr.	
6,513,290	B2 *	2/2003	Leek	52/295
7,296,386	B2 *	11/2007	Leek	52/296
7,444,787	B2 *	11/2008	Cutforth	52/295
7,454,872	B2 *	11/2008	Cutforth	52/295
D587,096	S *	2/2009	Smith	D8/354
2006/0010790	A1	1/2006	Perry	

\* cited by examiner

*Primary Examiner*—Holly H Baynham  
*Assistant Examiner*—Cynthia M Chin  
(74) *Attorney, Agent, or Firm*—Mario Theriault

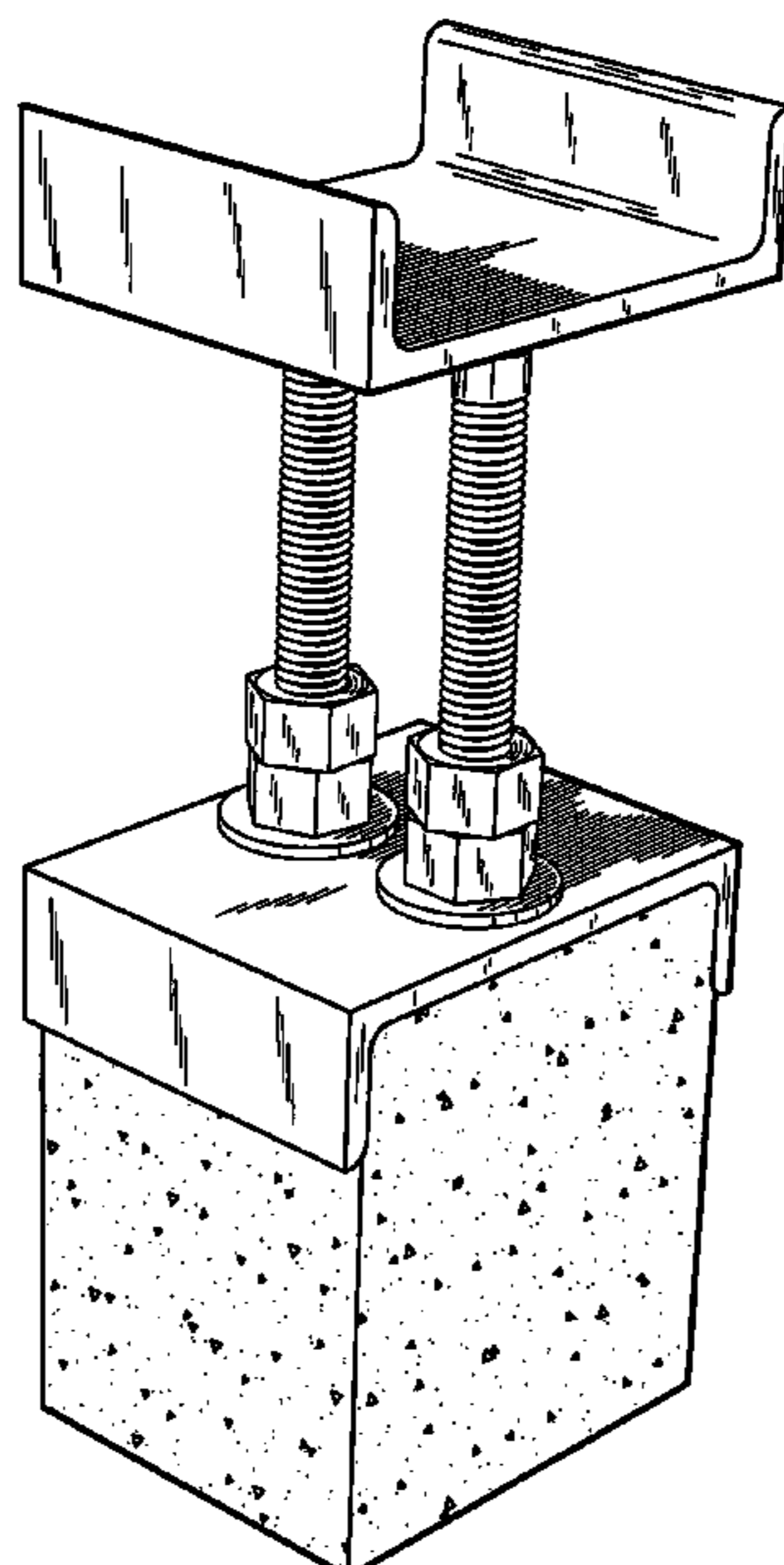
(57) **CLAIM**

The ornamental design for a deck leveling saddle, as shown and described.

**DESCRIPTION**

FIG. 1 is a perspective front, right side and top view of a deck leveling saddle, showing our new design;  
FIG. 2 is a right side view thereof, the left side view being a mirror image thereof;  
FIG. 3 is a front view thereof, the rear view being a mirror image thereof;  
FIG. 4 is a top view thereof; and,  
FIG. 5 is a bottom view thereof.

**1 Claim, 4 Drawing Sheets**



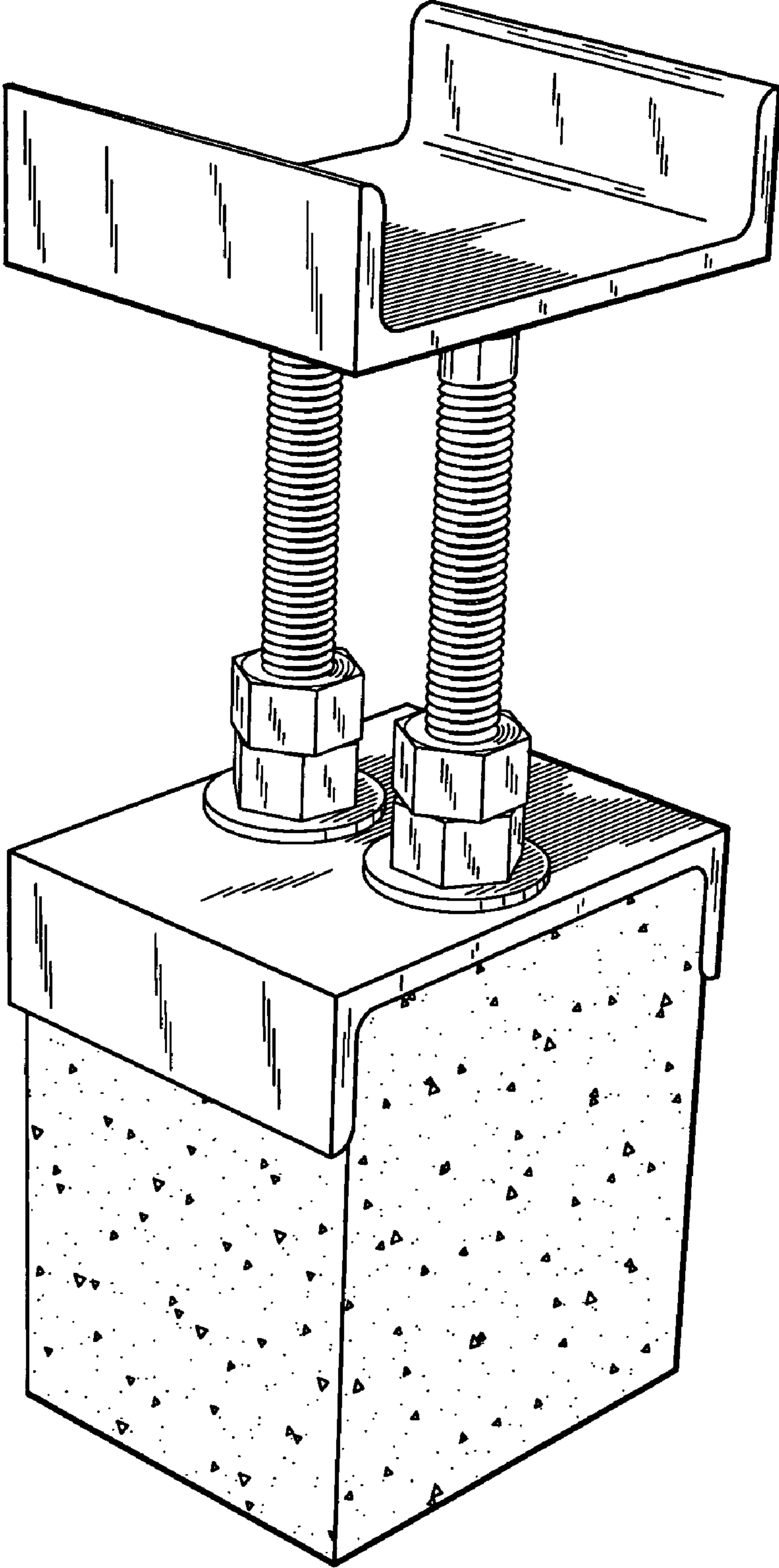


FIG. 1

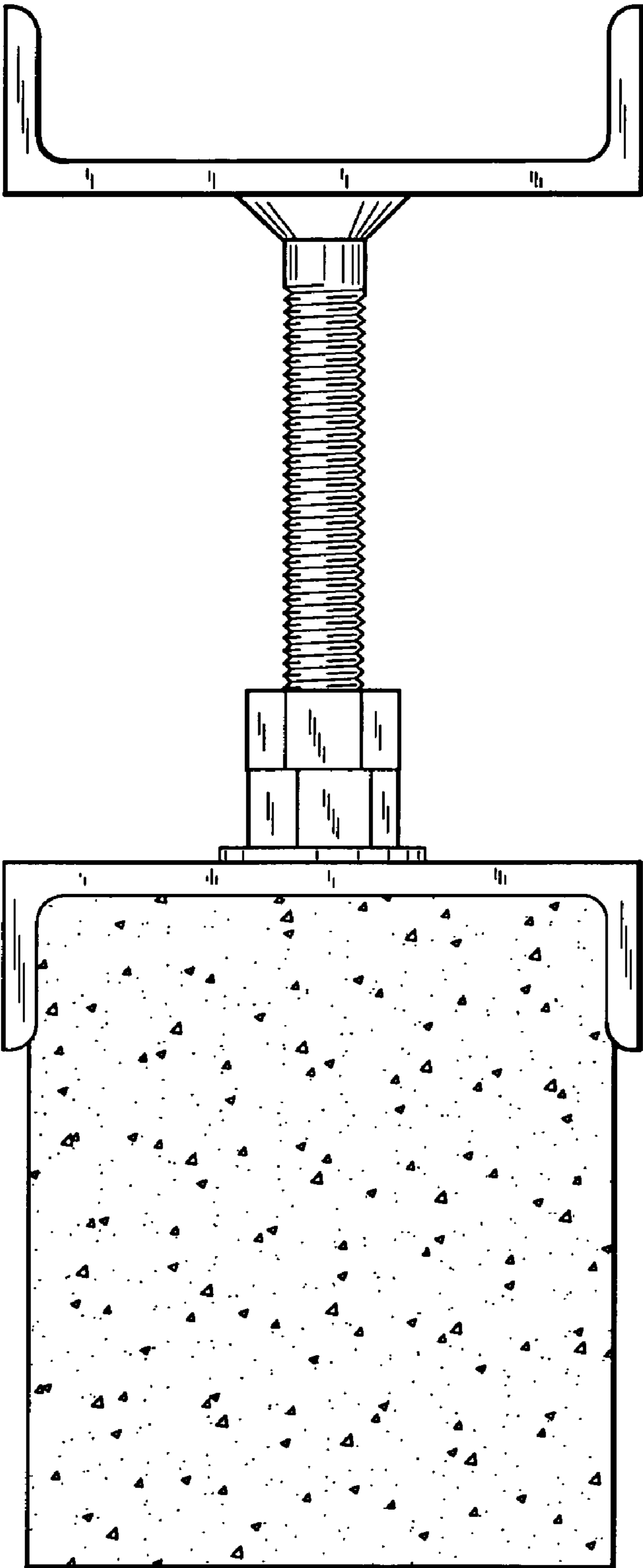


FIG. 2

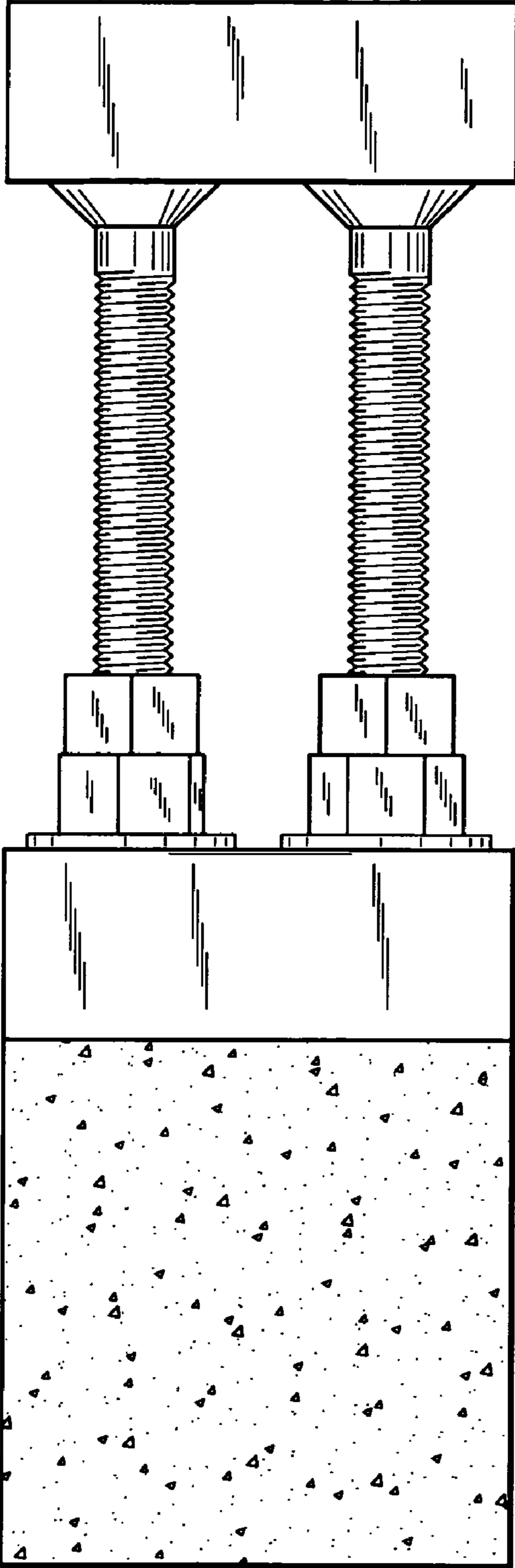


FIG. 3

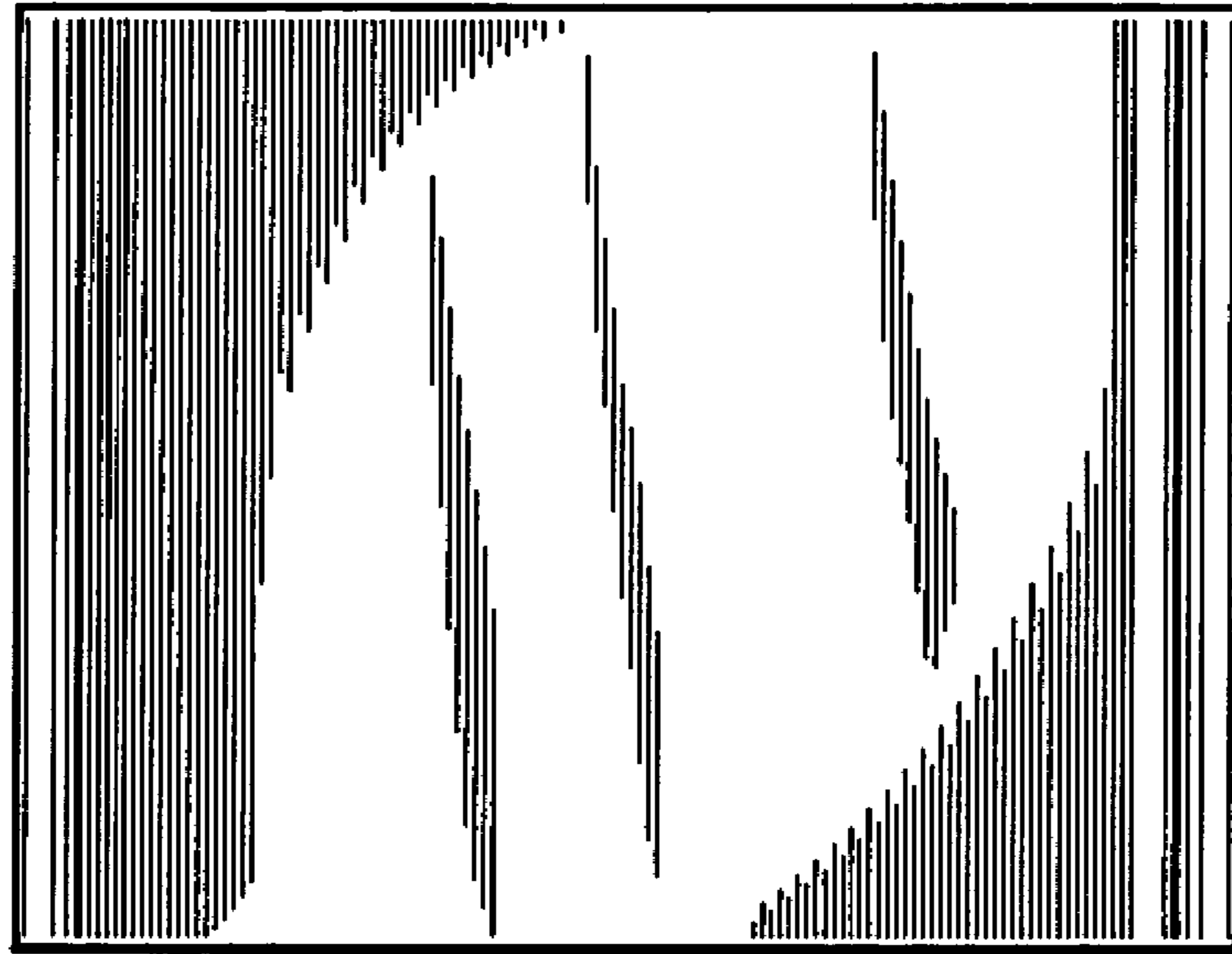


FIG. 4

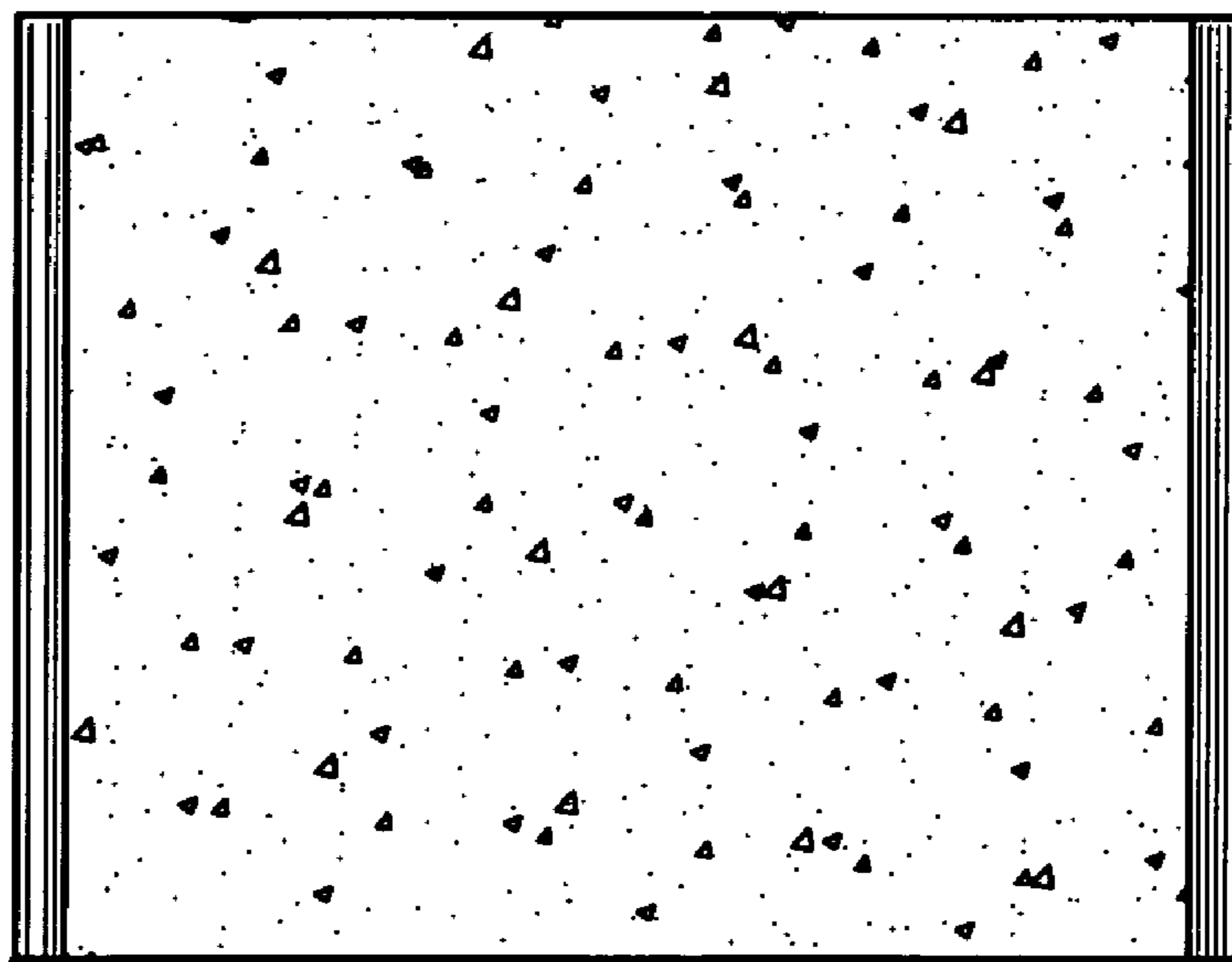


FIG. 5