



US00D607709S

(12) **United States Design Patent**  
**Mizon**

(10) **Patent No.:** **US D607,709 S**  
(45) **Date of Patent:** **\*\* Jan. 12, 2010**

(54) **DOOR HINGE KIT**

(76) **Inventor:** **Peter Mizon**, 7 Clifton Close, Heywood  
(GB) 0L10 3AS

(\*\*) **Term:** **14 Years**

(21) **Appl. No.:** **29/342,307**

(22) **Filed:** **Aug. 21, 2009**

(51) **LOC (9) Cl.** ..... **08-08**

(52) **U.S. Cl.** ..... **D8/328**

(58) **Field of Classification Search** ..... D8/323-395;  
4/236, 240; D23/303, 302; 16/309, 235,  
16/275, 244, 379, 390, 430, 241, 238, 245,  
16/236, 243, 242; 49/381

See application file for complete search history.

(56) **References Cited**

**U.S. PATENT DOCUMENTS**

563,430	A	7/1896	Strain	
969,926	A *	9/1910	Wightman	16/244
2,096,311	A *	10/1937	Strough	16/245
2,533,502	A *	12/1950	Philips	16/242
2,885,722	A	5/1959	Halliday	
3,832,755	A *	9/1974	Maertín et al.	16/309
D298,736	S *	11/1988	Shiraishi	D8/388
5,058,236	A *	10/1991	Henson	16/222
5,694,665	A *	12/1997	Strickland et al.	16/238
6,212,734	B1 *	4/2001	Commons	16/244
D532,280	S *	11/2006	Huml	D8/327

7,162,774	B1 *	1/2007	Von Resch et al.	16/236
7,500,286	B2 *	3/2009	Soviknes	16/243
D598,272	S *	8/2009	Tejszerski	D8/349
2004/0034966	A1	2/2004	Wegman	

\* cited by examiner

*Primary Examiner*—Robert M Spear

*Assistant Examiner*—Cynthia Underwood

(74) *Attorney, Agent, or Firm*—Crossley Patent Law; Mark A. Crossley

(57) **CLAIM**

The ornamental design for a door hinge kit, as shown and described.

**DESCRIPTION**

FIG. 1 is a front elevation view of a door hinge kit showing my new design;

FIG. 2 is an in-use isometric view thereof;

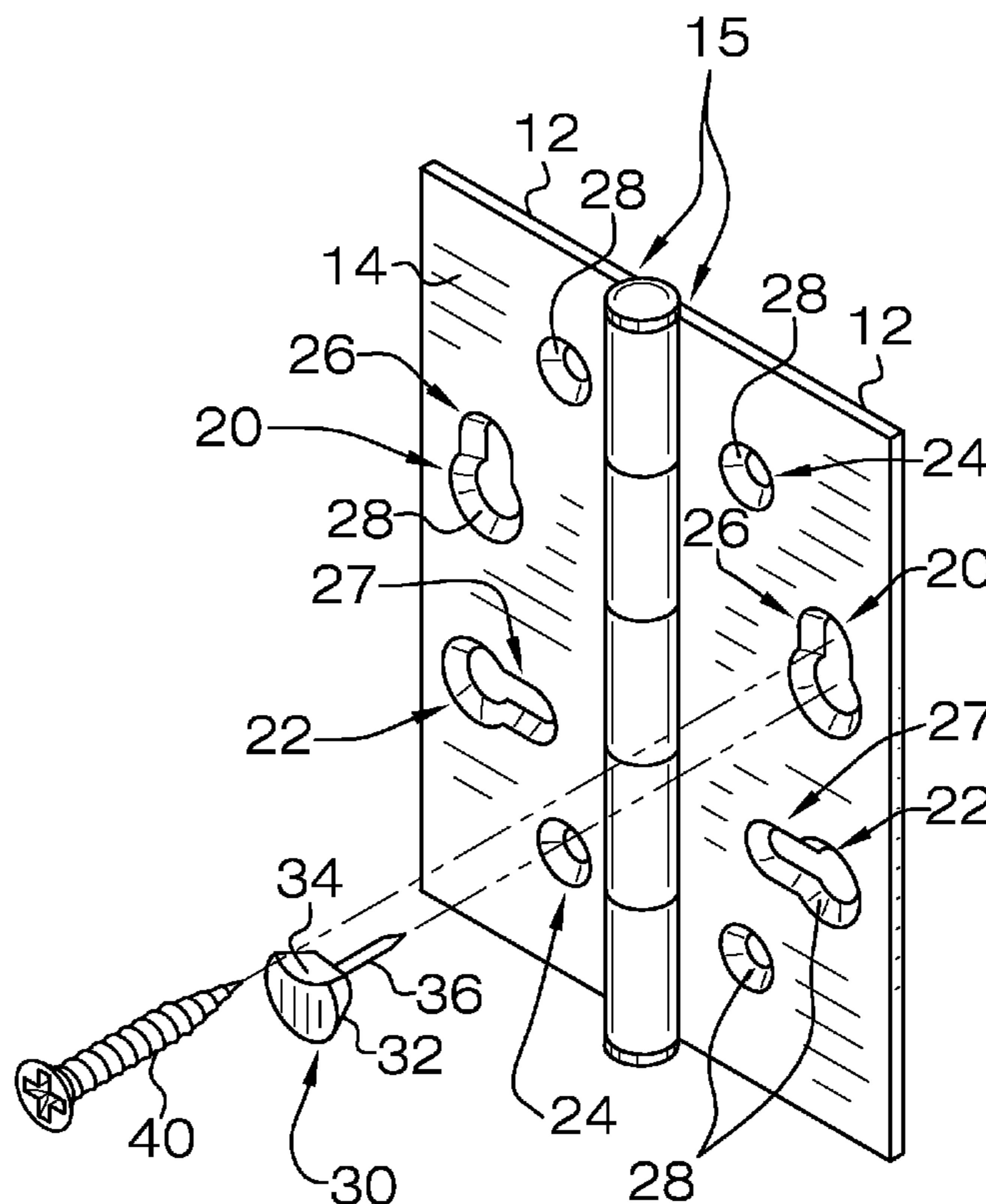
FIG. 3 is a cross-sectional view thereof taken along line 3—3 of FIG. 2;

FIG. 4 is a front perspective view thereof showing one screw removed for ease of disclosure and the other screw and cap of the kit in an alternate position of use; and,

FIG. 5 is a rear isometric view thereof.

The broken lines in the drawings depict environmental subject matter only and form no part of the claimed design.

**1 Claim, 4 Drawing Sheets**



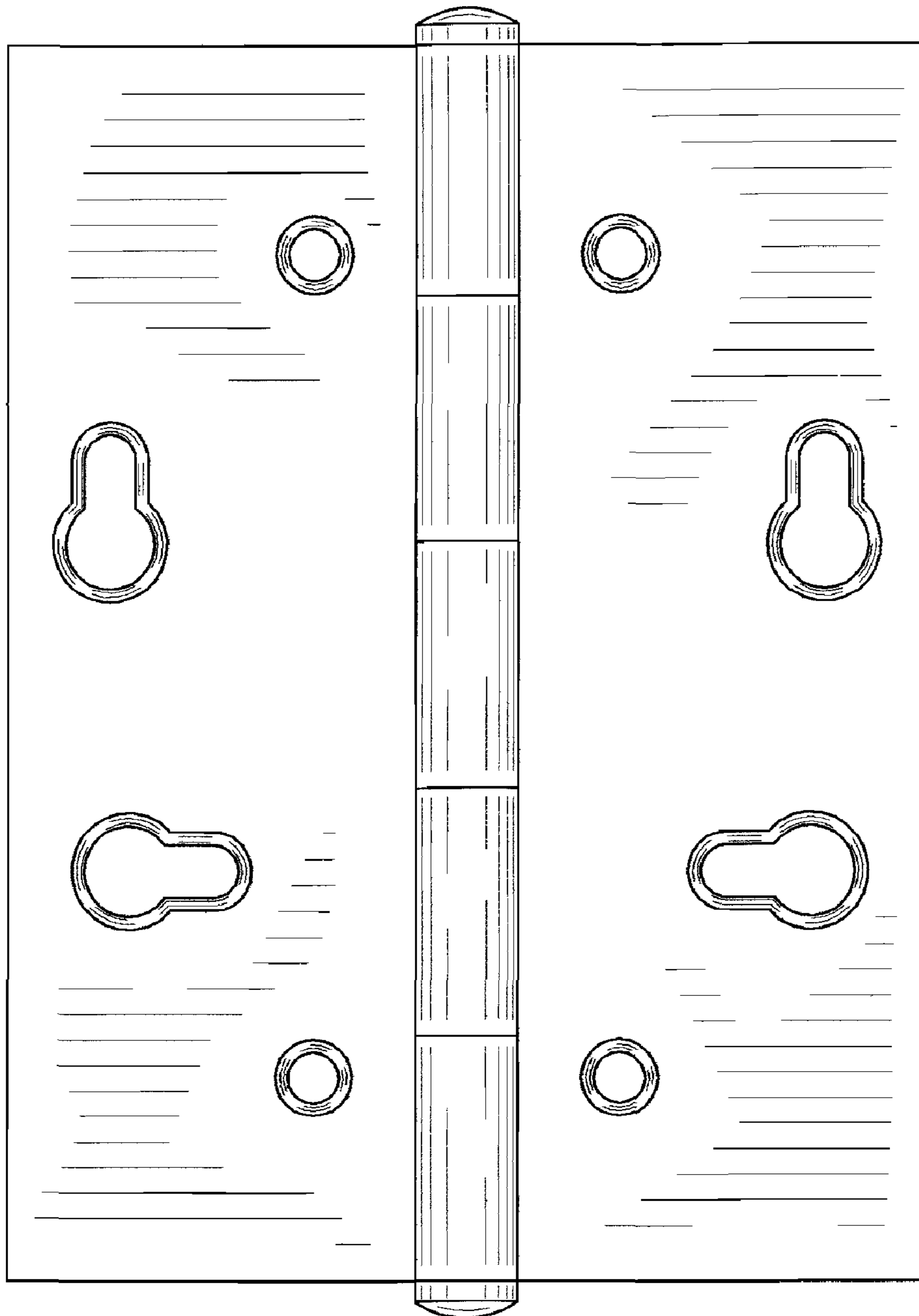


FIG. 1

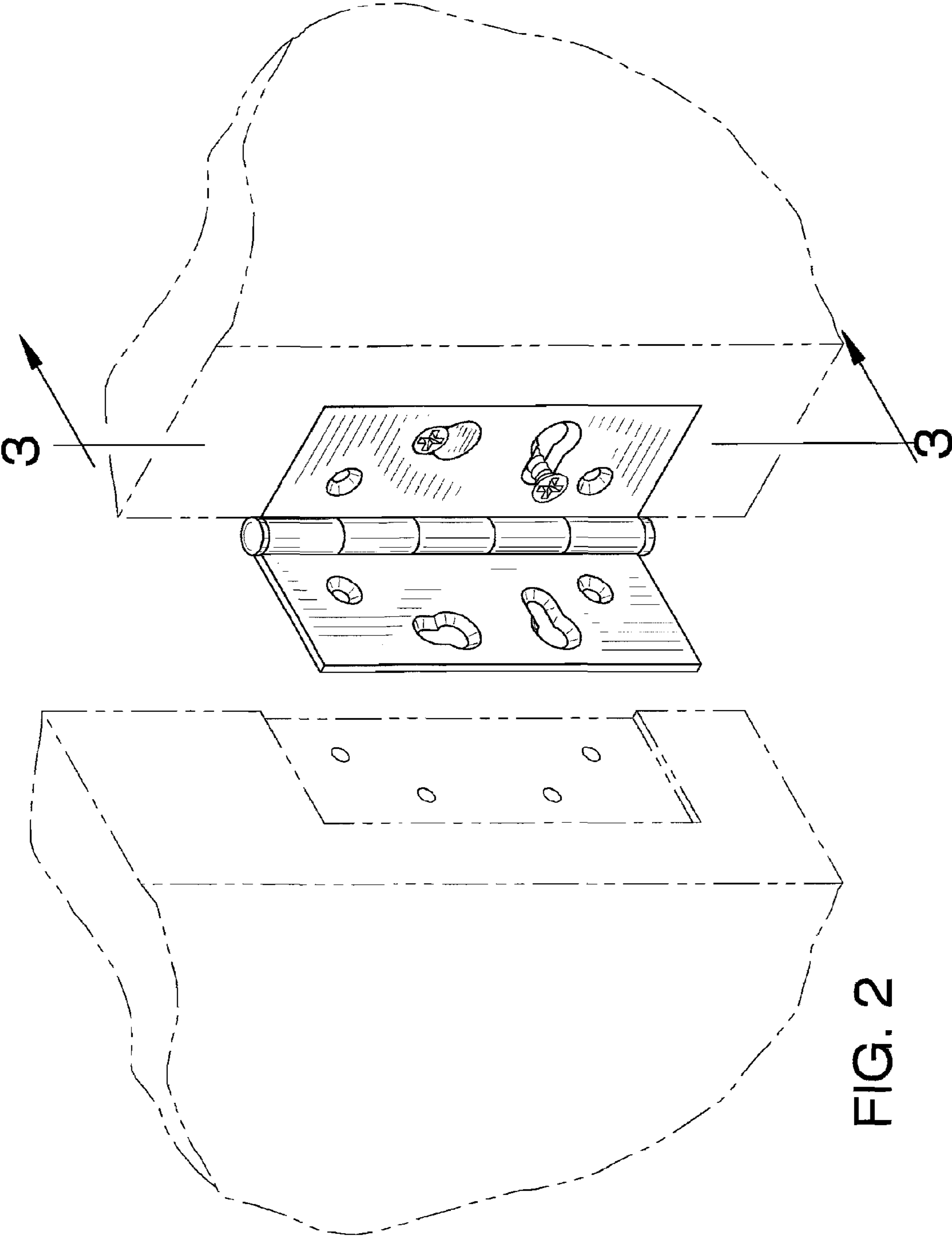
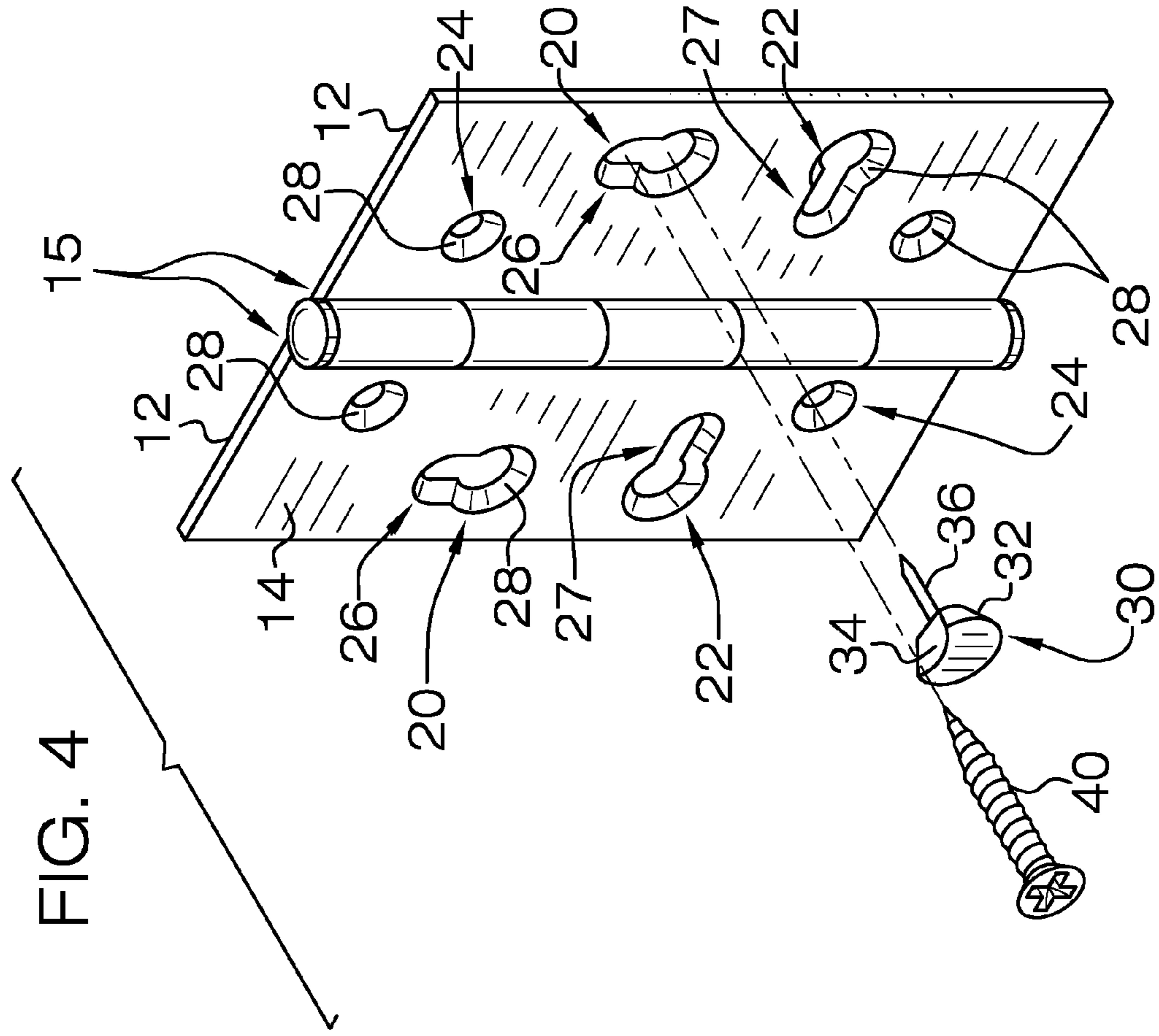
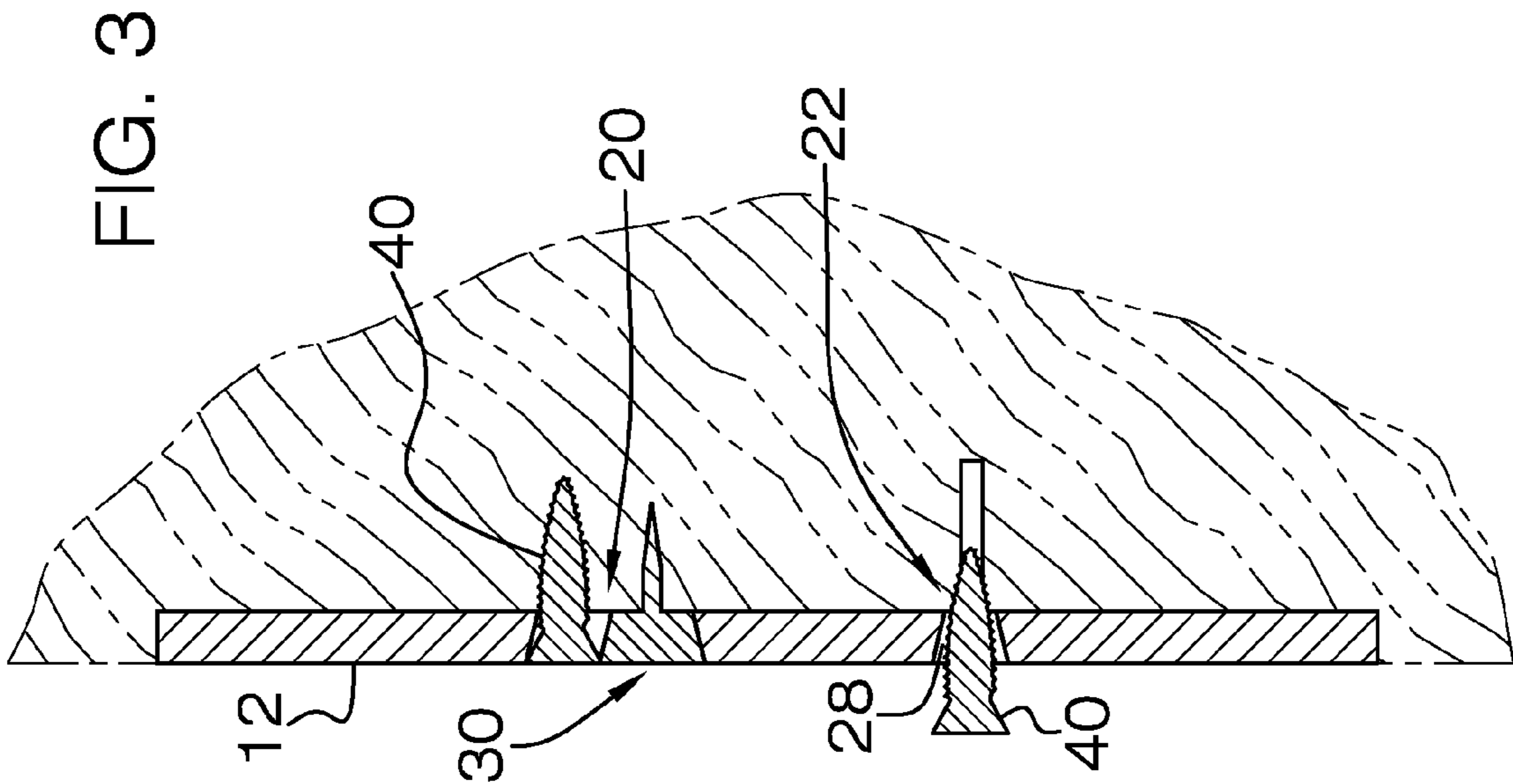


FIG. 2



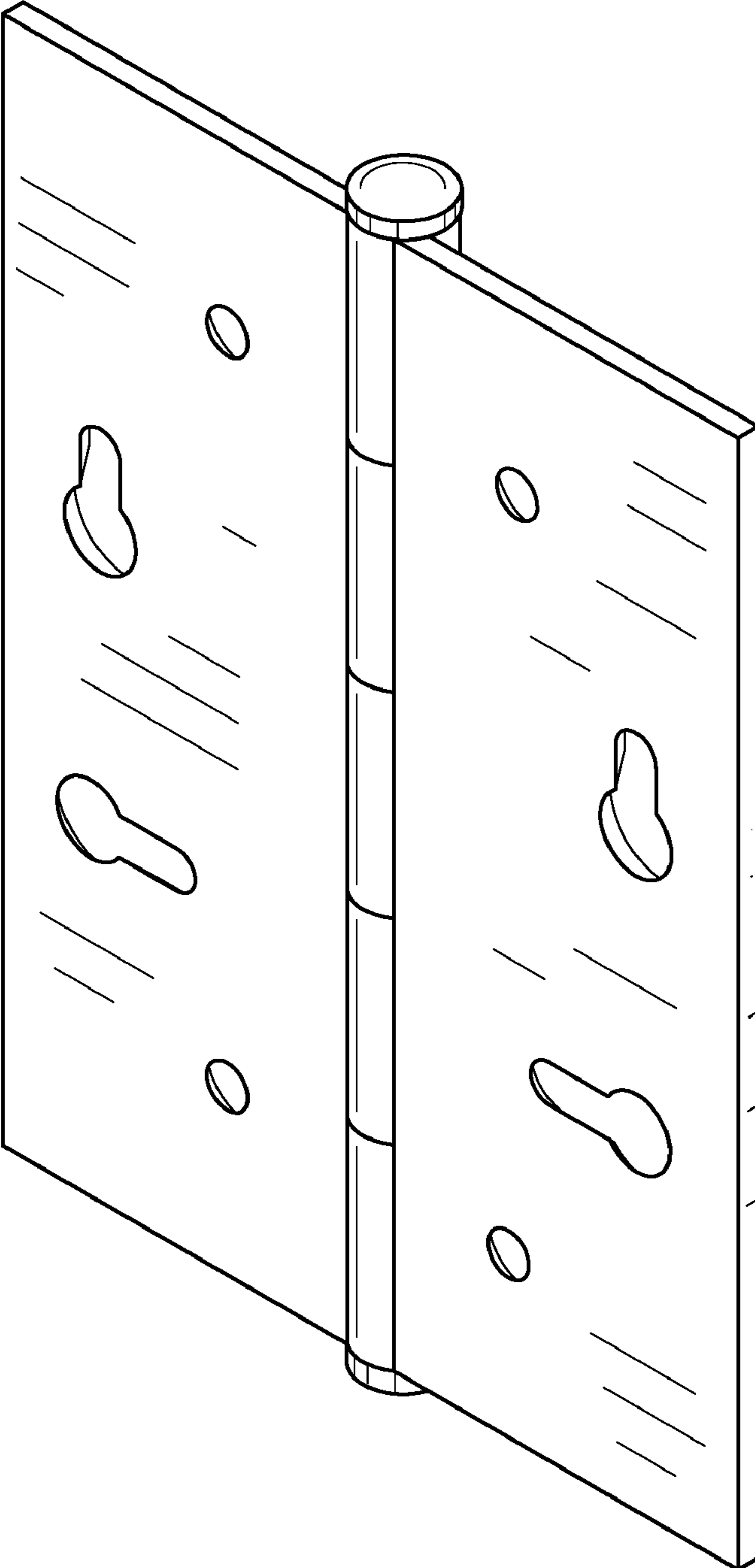


FIG. 5