



US00D607707S

(12) **United States Design Patent**
Huang

(10) **Patent No.:** **US D607,707 S**

(45) **Date of Patent:** **** Jan. 12, 2010**

(54) **UTILITY KNIFE**

(76) **Inventor:** **Yin Han Huang**, No. 4, Lane 342,
Pengyi Road, Taiping, Taichung (TW)

(**) **Term:** **14 Years**

(21) **Appl. No.:** **29/334,658**

(22) **Filed:** **Mar. 31, 2009**

(51) **LOC (9) Cl.** **08-03**

(52) **U.S. Cl.** **D8/99**

(58) **Field of Classification Search** D8/98,
D8/99, 107; 30/161, 162, 320, 329, 337
See application file for complete search history.

(56) **References Cited**

U.S. PATENT DOCUMENTS

D319,378 S *	8/1991	Wilcox	D8/99
D413,783 S *	9/1999	Huang	D8/99
D420,270 S *	2/2000	Martone	D8/99
D439,492 S *	3/2001	Martone et al.	D8/99
D454,042 S *	3/2002	Hsu	D8/99
D460,908 S *	7/2002	Sun	D8/99
D476,214 S *	6/2003	Hsu	D8/99
D502,379 S *	3/2005	Tseng	D8/99
D509,419 S *	9/2005	Chung	D8/99
D525,104 S *	7/2006	Samberg	D8/99

D558,555 S *	1/2008	Huang	D8/99
7,448,135 B2 *	11/2008	Zhuk et al.	30/50
D587,553 S *	3/2009	Constantine et al.	D8/99

* cited by examiner

Primary Examiner—Philip S Hyder

(57) **CLAIM**

The ornamental design for a utility knife, as shown.

DESCRIPTION

FIG. 1 is a perspective view of a utility knife showing my new design with the blade being extended therefrom;

FIG. 2 is a front end view thereof;

FIG. 3 is a rear end view thereof;

FIG. 4 is a right side view thereof;

FIG. 5 is a left side view thereof;

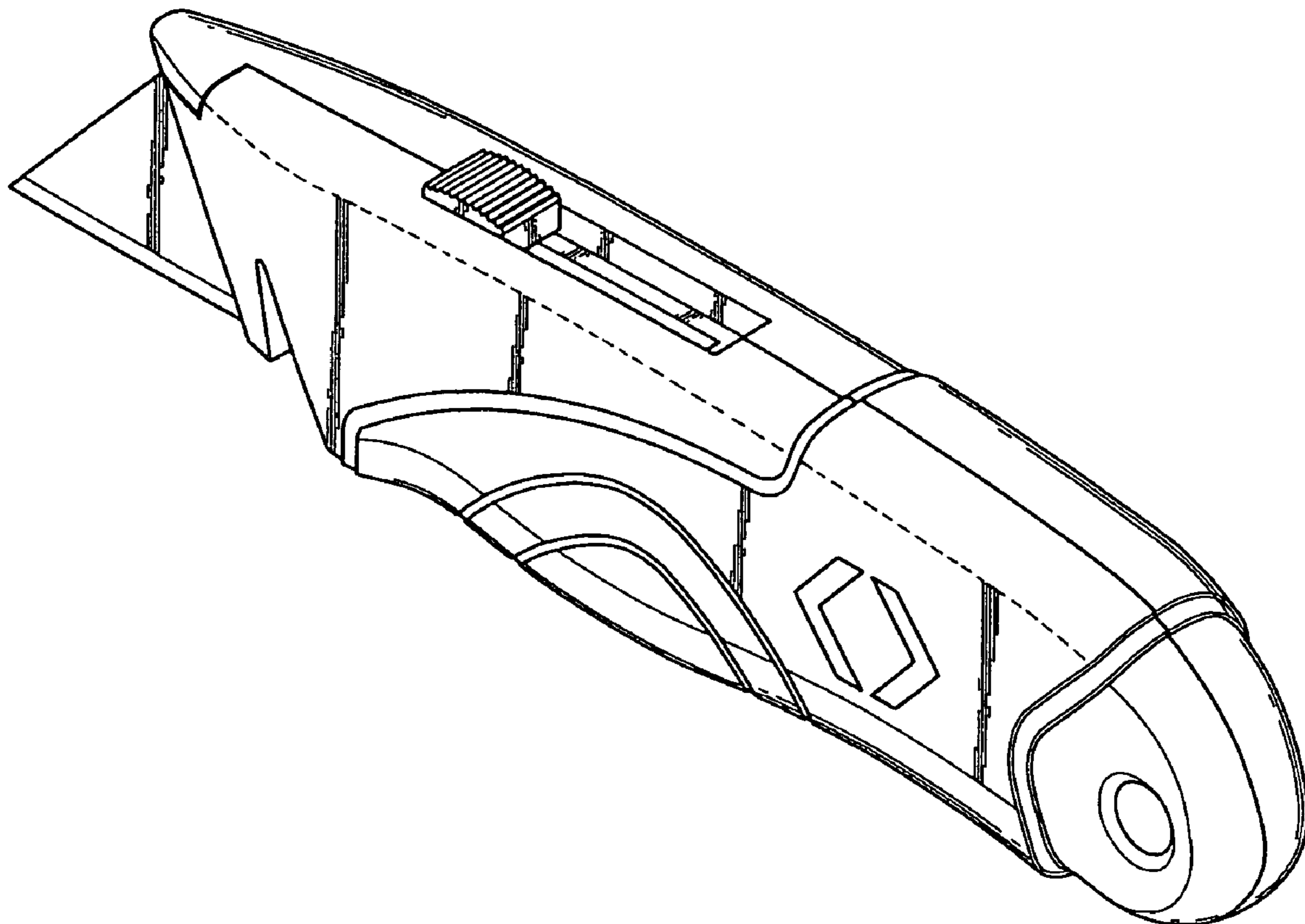
FIG. 6 is a top plan view thereof;

FIG. 7 is a bottom plan view thereof; and,

FIG. 8 is another perspective view of the utility knife with the blade being retracted thereinto.

The broken line in FIGS. 1, 4, 5 and 8 forms no part of the claimed design.

1 Claim, 5 Drawing Sheets



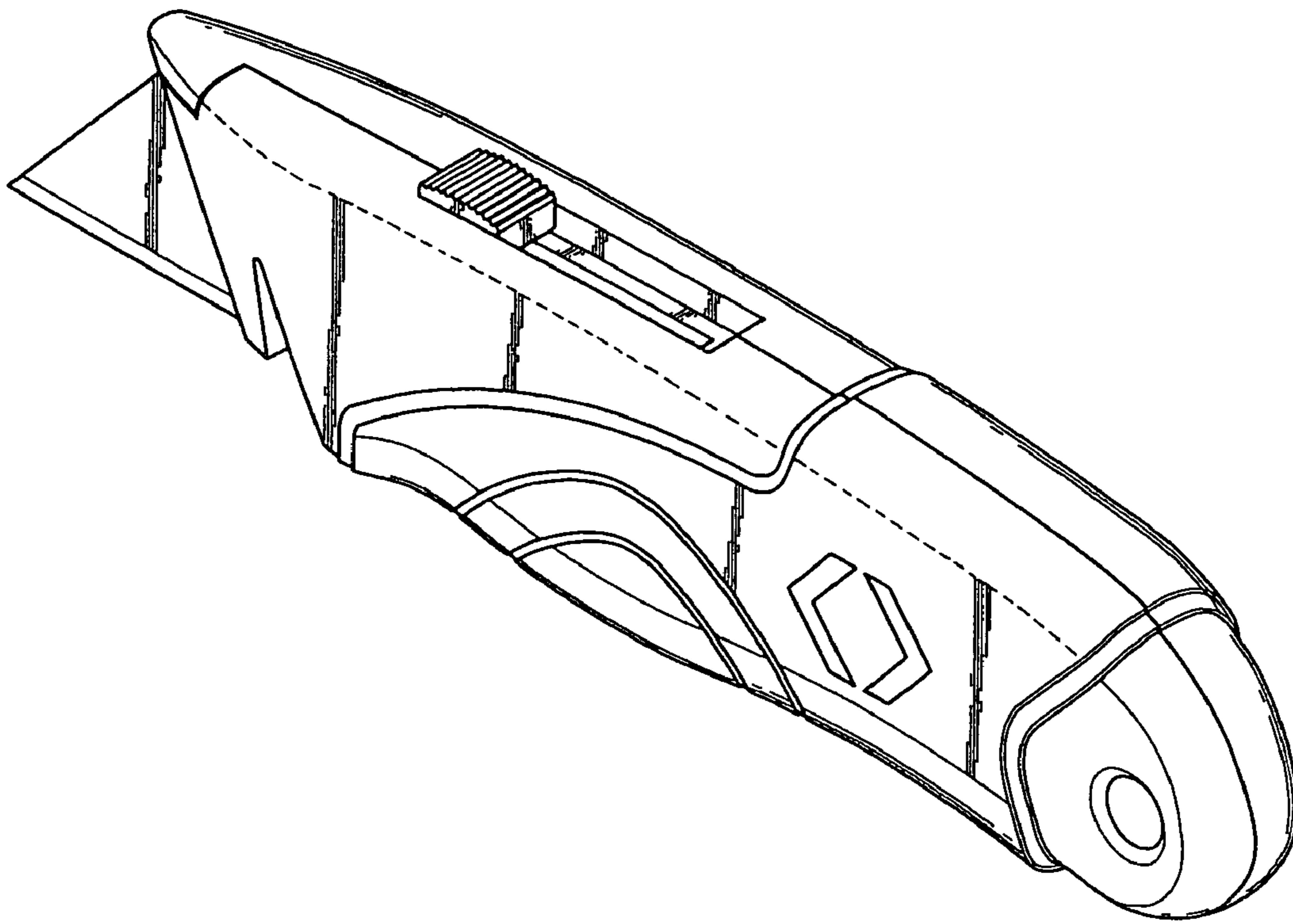


FIG. 1

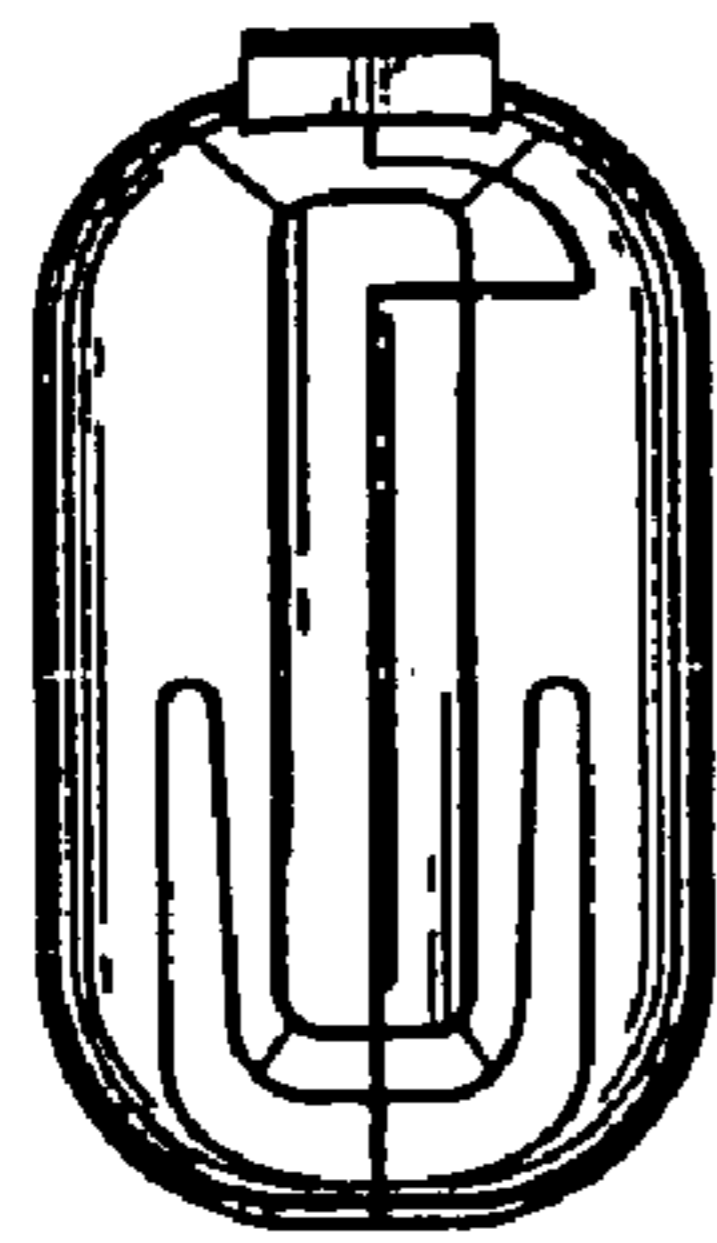


FIG. 2

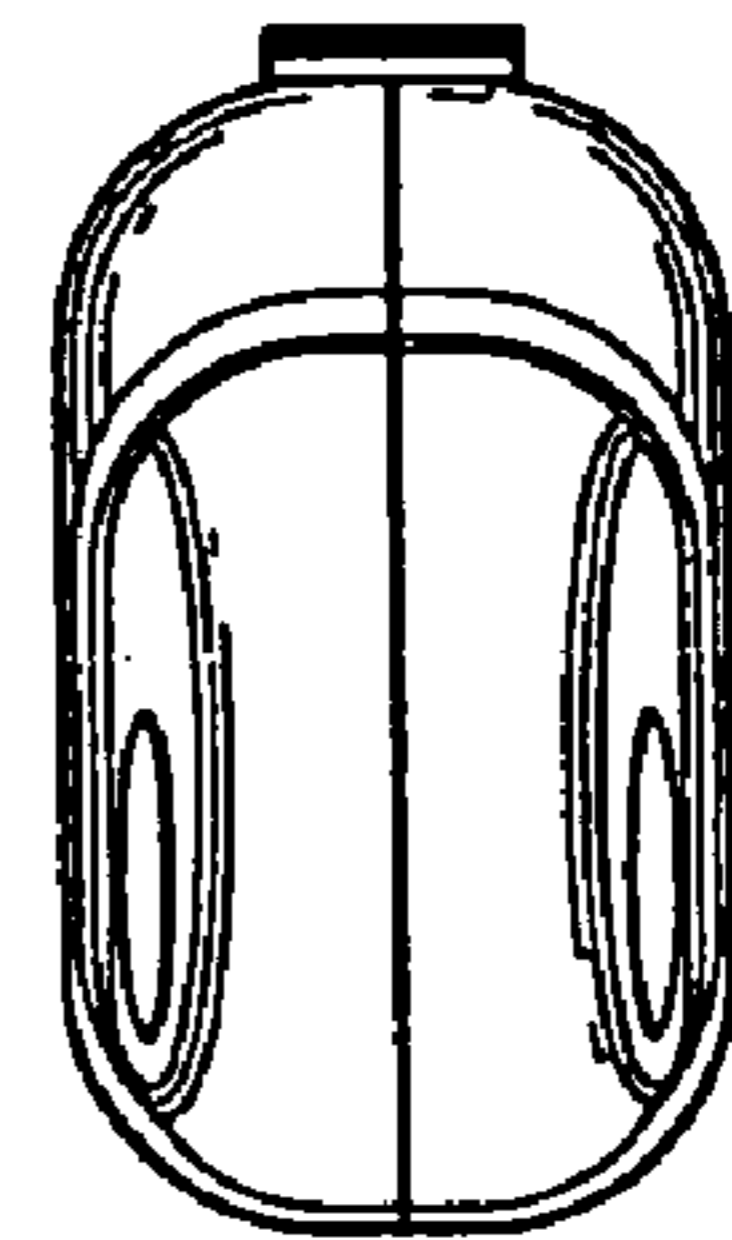


FIG. 3

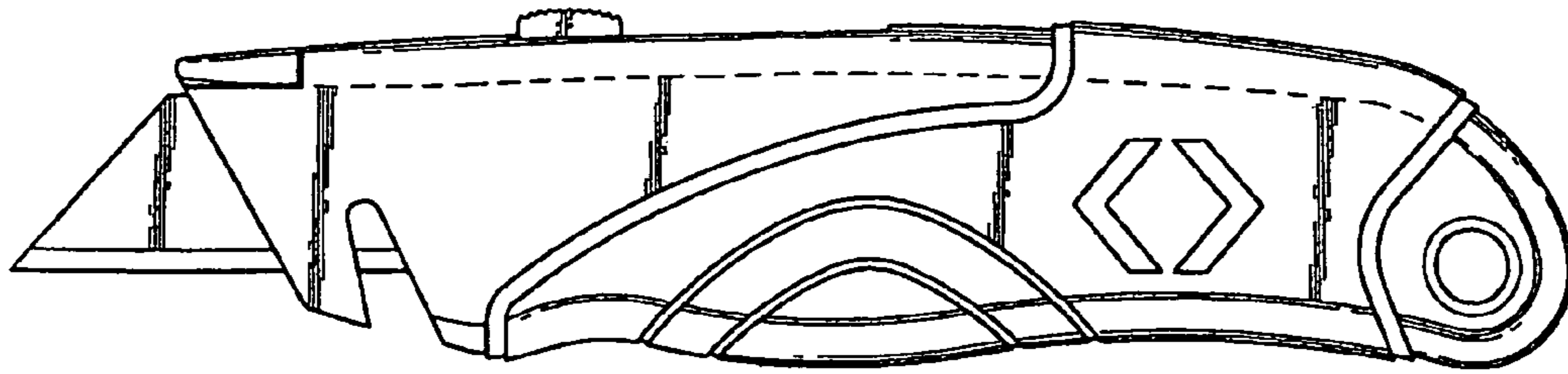


FIG. 4

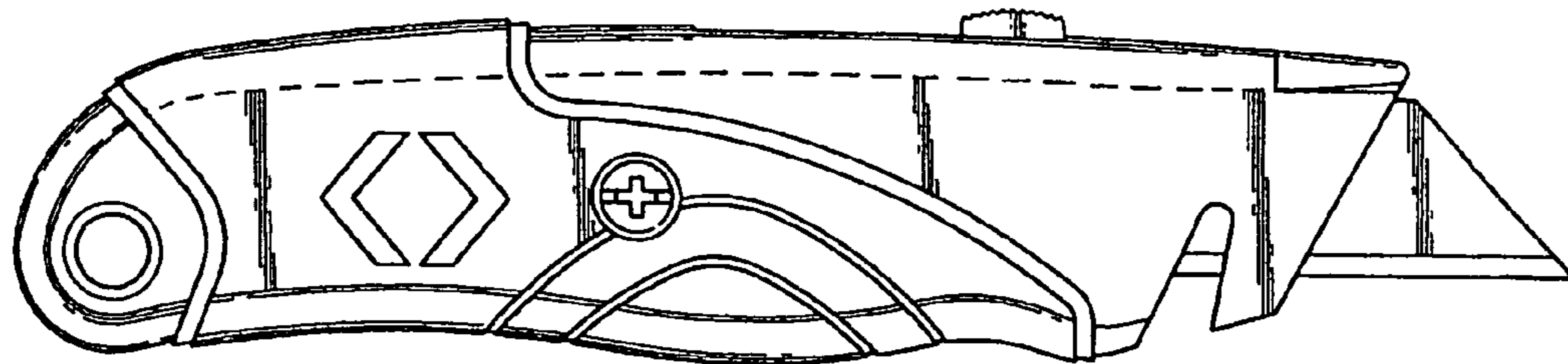


FIG. 5

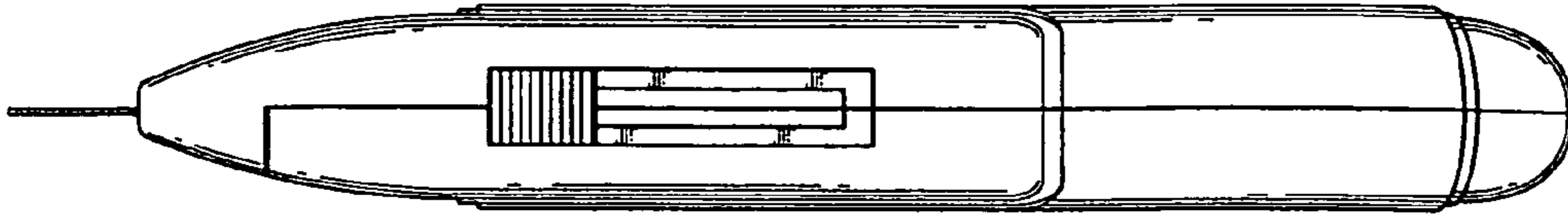


FIG. 6

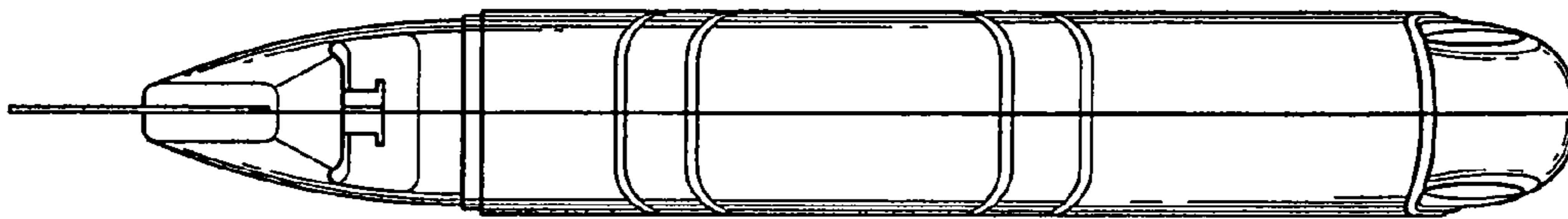


FIG. 7

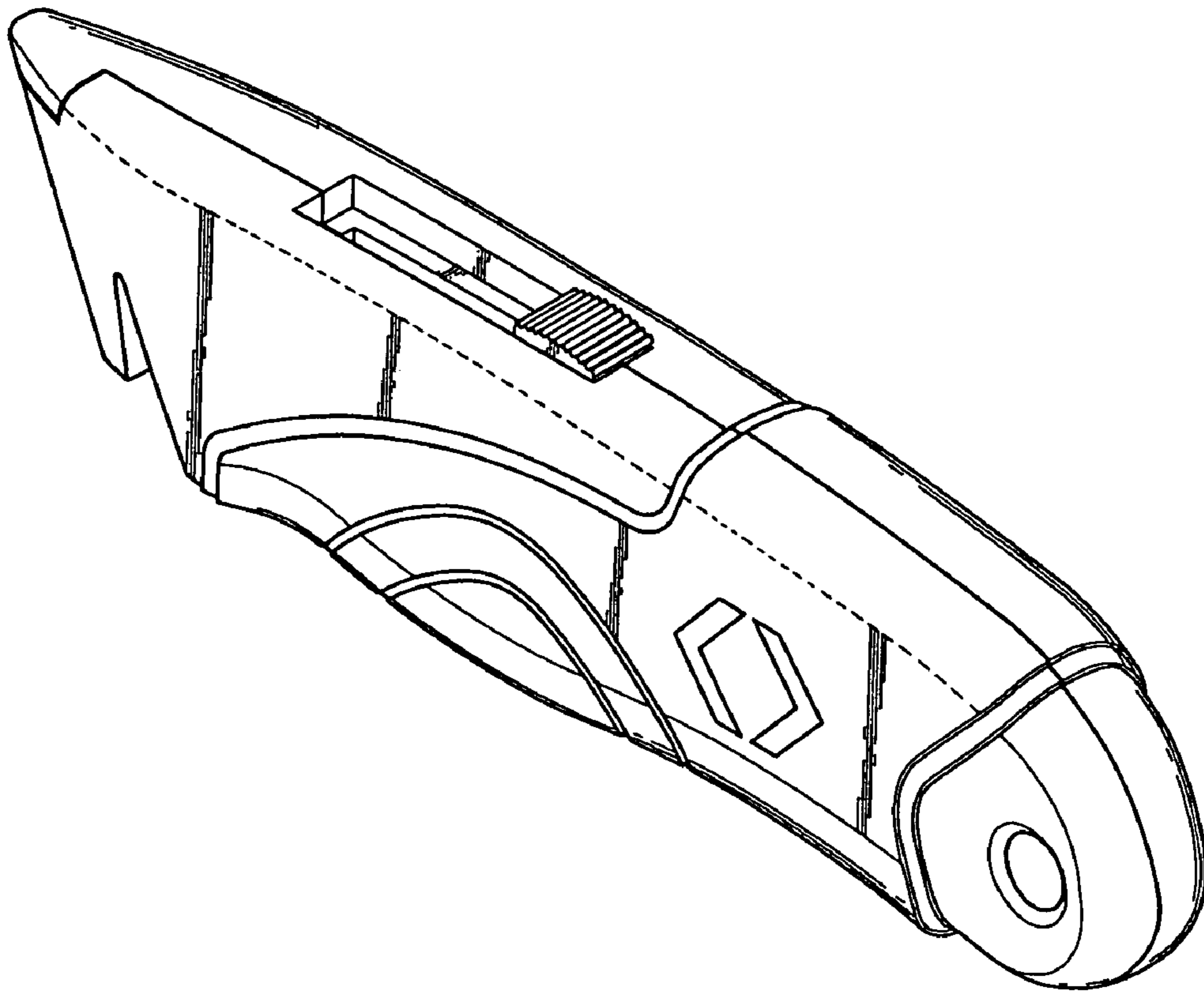


FIG. 8